



US00D757139S

(12) **United States Design Patent**
Sung

(10) **Patent No.:** **US D757,139 S**
(45) **Date of Patent:** **** May 24, 2016**

(54) **ROLLER OF FEEDER FOR WOODWORKING MACHINES**

(71) Applicant: **Meng-I Sung**, Taichung (TW)

(72) Inventor: **Meng-I Sung**, Taichung (TW)

(**) Term: **14 Years**

(21) Appl. No.: **29/492,163**

(22) Filed: **May 29, 2014**

(51) **LOC (10) Cl.** **15-09**

(52) **U.S. Cl.**
USPC **D15/138; D15/122**

(58) **Field of Classification Search**
USPC D8/356, 358, 359; D12/209; D15/122,
D15/138, 140, 141; D18/56
See application file for complete search history.

(56) **References Cited**

U.S. PATENT DOCUMENTS

3,135,305	A *	6/1964	Bickel	83/422
D287,020	S *	12/1986	Falk	D15/199
D294,450	S *	3/1988	Nelson	D8/359
D294,455	S *	3/1988	Nelson	D8/359
4,886,099	A *	12/1989	Ferreira de Abreu	144/246.1
D390,093	S *	2/1998	Spear et al.	D8/358

(Continued)

Primary Examiner — Patricia Palasik

(74) *Attorney, Agent, or Firm* — Alan D. Kamrath; Kamrath IP Lawfirm, P.A.

(57) **CLAIM**

The ornamental design for roller of feeder for woodworking machines, as shown and described.

DESCRIPTION

FIG. 1 is a perspective view of roller of a feeder for woodworking machines showing my new Design, the broken line drawing of the feeder is for illustrative purposes only and forms no part of the claimed design;

FIG. 2 is a right view thereof, the broken line drawing of the feeder is for illustrative purposes only and forms no part of the claimed design,

FIG. 3 is a front view thereof, the broken line drawing of the feeder is for illustrative purposes only and forms no part of the claimed design;

FIG. 4 is a rear view thereof, the broken line drawing of the feeder is for illustrative purposes only and forms no part of the claimed design;

FIG. 5 is a top view thereof, the broken line drawing of the feeder is for illustrative purposes only and forms no part of the claimed design;

FIG. 6 is a bottom view thereof, the broken line drawing of the feeder is for illustrative purposes only and forms no part of the claimed design;

FIG. 7 is a front view of another embodiment of roller of the feeder for woodworking machines showing my new Design, the broken line drawing of the feeder is for illustrative purposes only and forms no part of the claimed design;

FIG. 8 is a front view of another embodiment of roller of the feeder for woodworking machines showing my new Design, the broken line drawing of the feeder is for illustrative purposes only and forms no part of the claimed design;

FIG. 9 is a front view of another embodiment of roller of the feeder for woodworking machines showing my new Design, the broken line drawing of the feeder is for illustrative purposes only and forms no part of the claimed design;

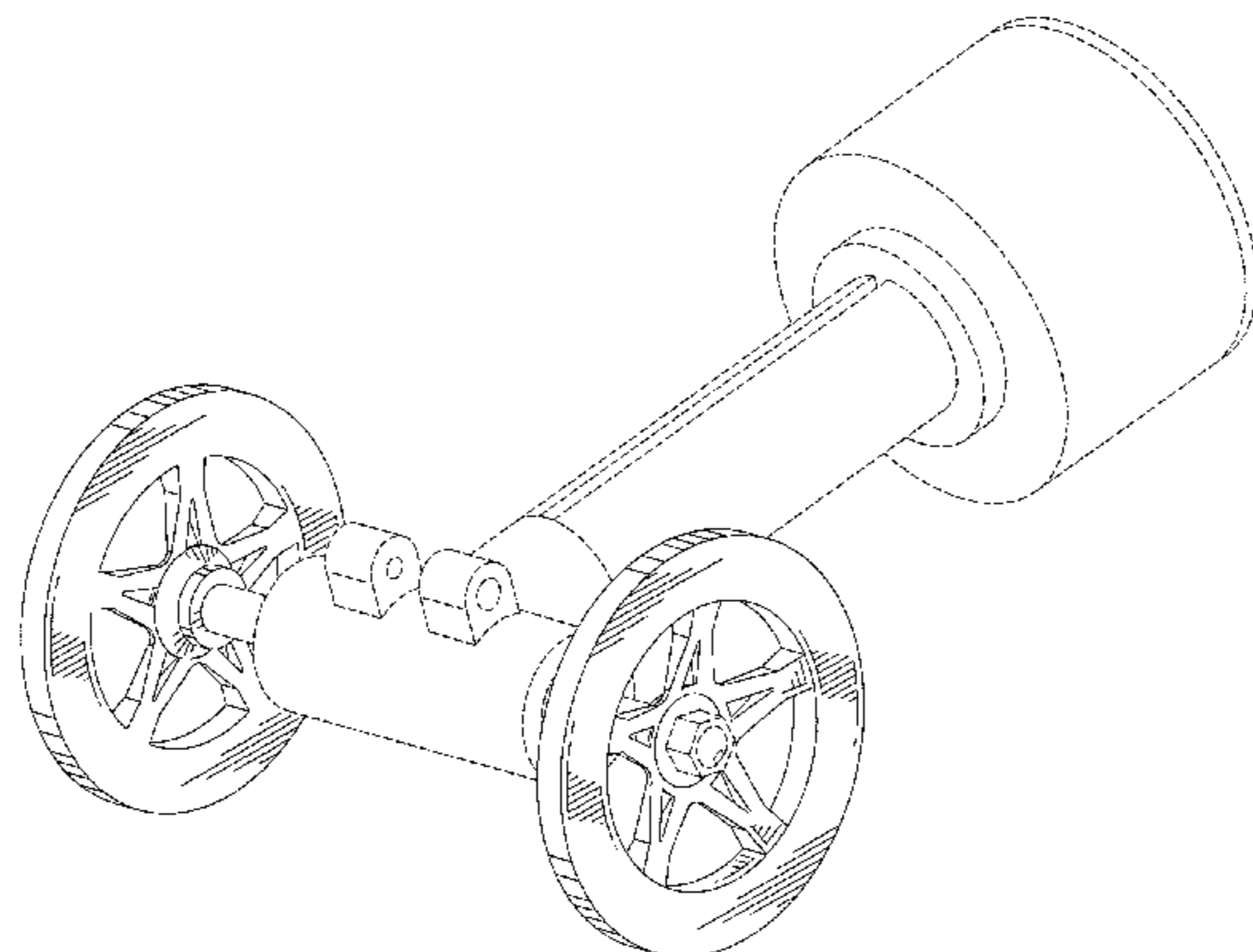
FIG. 10 is a front view of another embodiment of roller of the feeder for woodworking machines showing my new Design, the broken line drawing of the feeder is for illustrative purposes only and forms no part of the claimed design;

FIG. 11 is a front view of another embodiment of roller of the feeder for woodworking machines showing my new Design, the broken line drawing of the feeder is for illustrative purposes only and forms no part of the claimed design;

FIG. 12 is a front view of another embodiment of roller of the feeder for woodworking machines showing my new Design, the broken line drawing of the feeder is for illustrative purposes only and forms no part of the claimed design; and,

FIG. 13 is a perspective view of another embodiment of roller of the feeder for woodworking machines showing my new Design, the broken line drawing of the feeder is for illustrative purposes only and forms no part of the claimed design.

1 Claim, 13 Drawing Sheets



(56)

References Cited

U.S. PATENT DOCUMENTS

D390,449 S * 2/1998 Whitehead et al. D8/359
6,196,283 B1 * 3/2001 Hundegger 144/3.1
6,568,523 B2 * 5/2003 Stibbard 198/396
D478,498 S * 8/2003 Ito et al. D8/358
7,150,216 B2 * 12/2006 Lavoie 83/873
7,730,914 B2 * 6/2010 Lin 144/242.1

D638,092 S * 5/2011 Heller et al. D22/140
D654,648 S * 2/2012 Blaszcak et al. D34/24
D668,133 S * 10/2012 Kyle D8/358
D672,634 S * 12/2012 Phillips et al. D8/358
D672,635 S * 12/2012 Phillips et al. D8/359
D673,030 S * 12/2012 Phillips et al. D8/359
D688,615 S * 8/2013 Hale, Jr. D12/209
D734,702 S * 7/2015 Hale D12/209

* cited by examiner

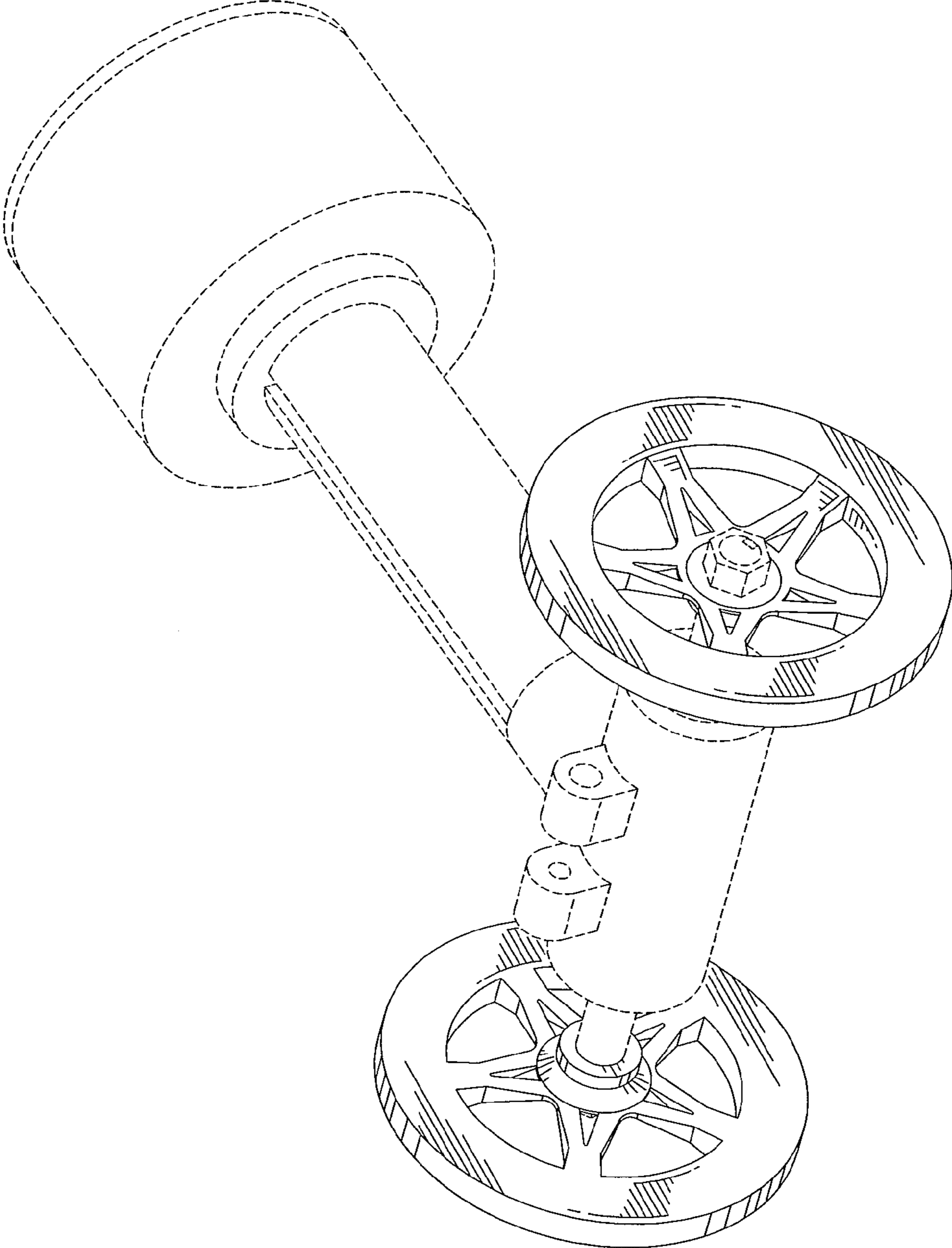


FIG. 1

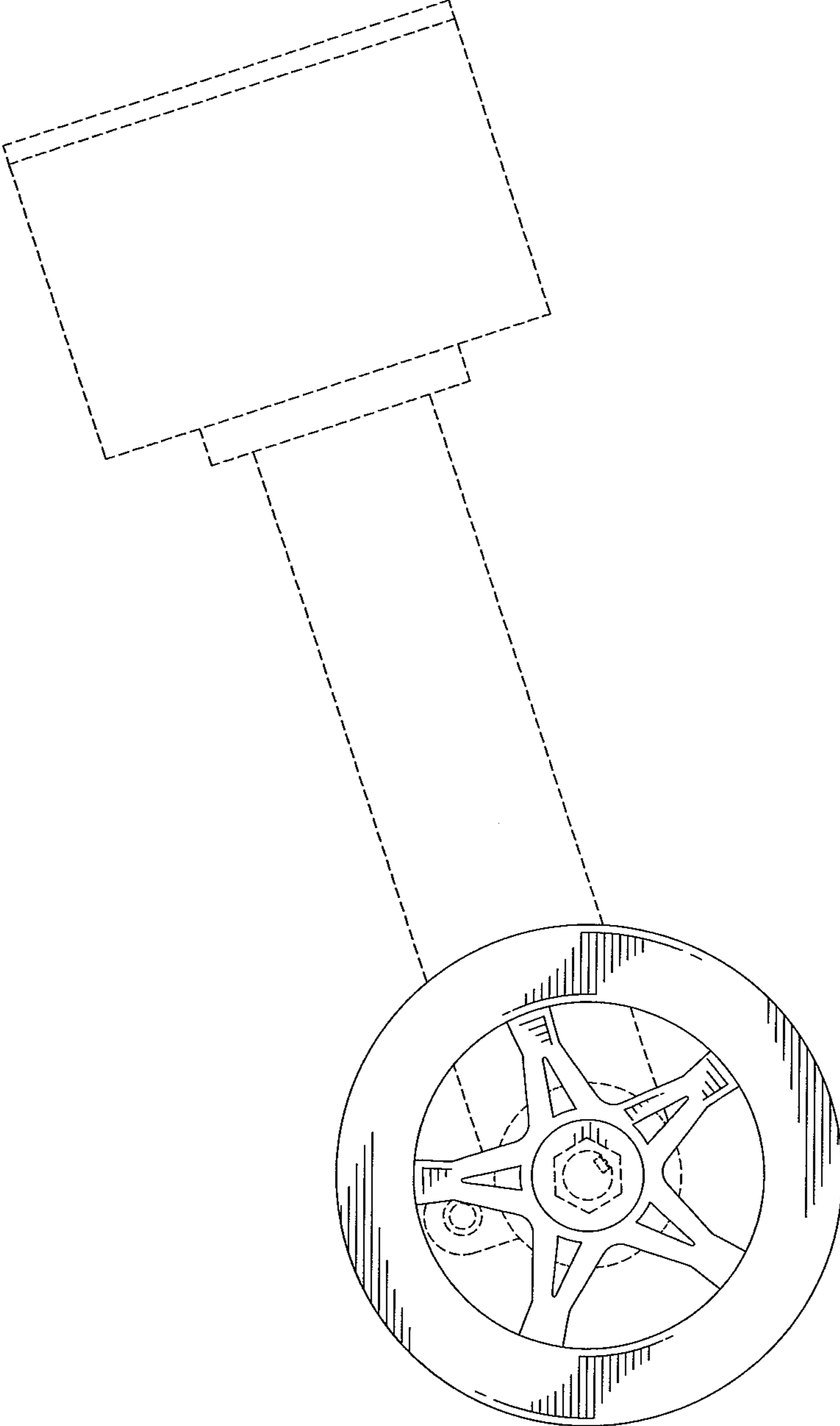


FIG. 2

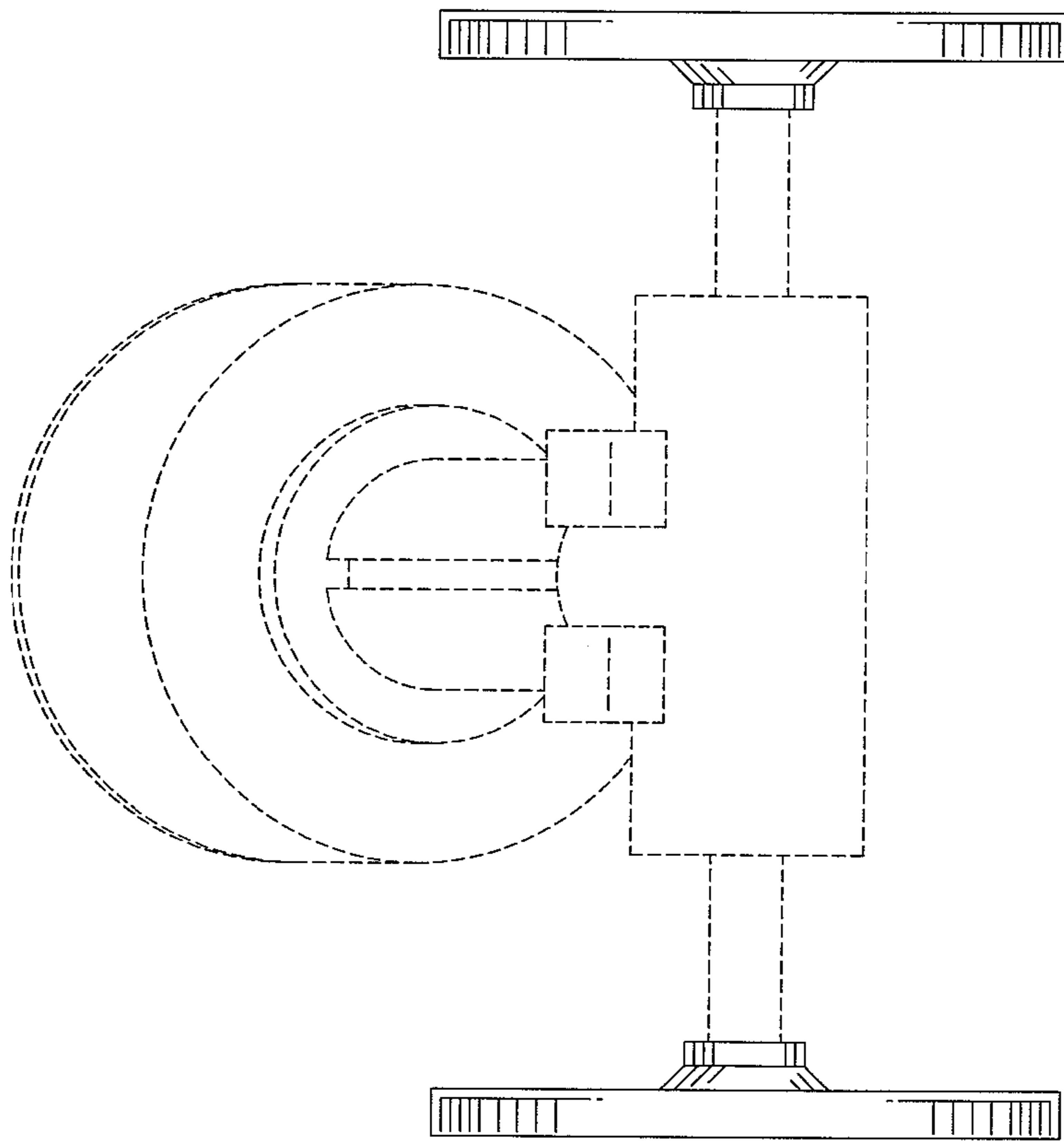


FIG. 3

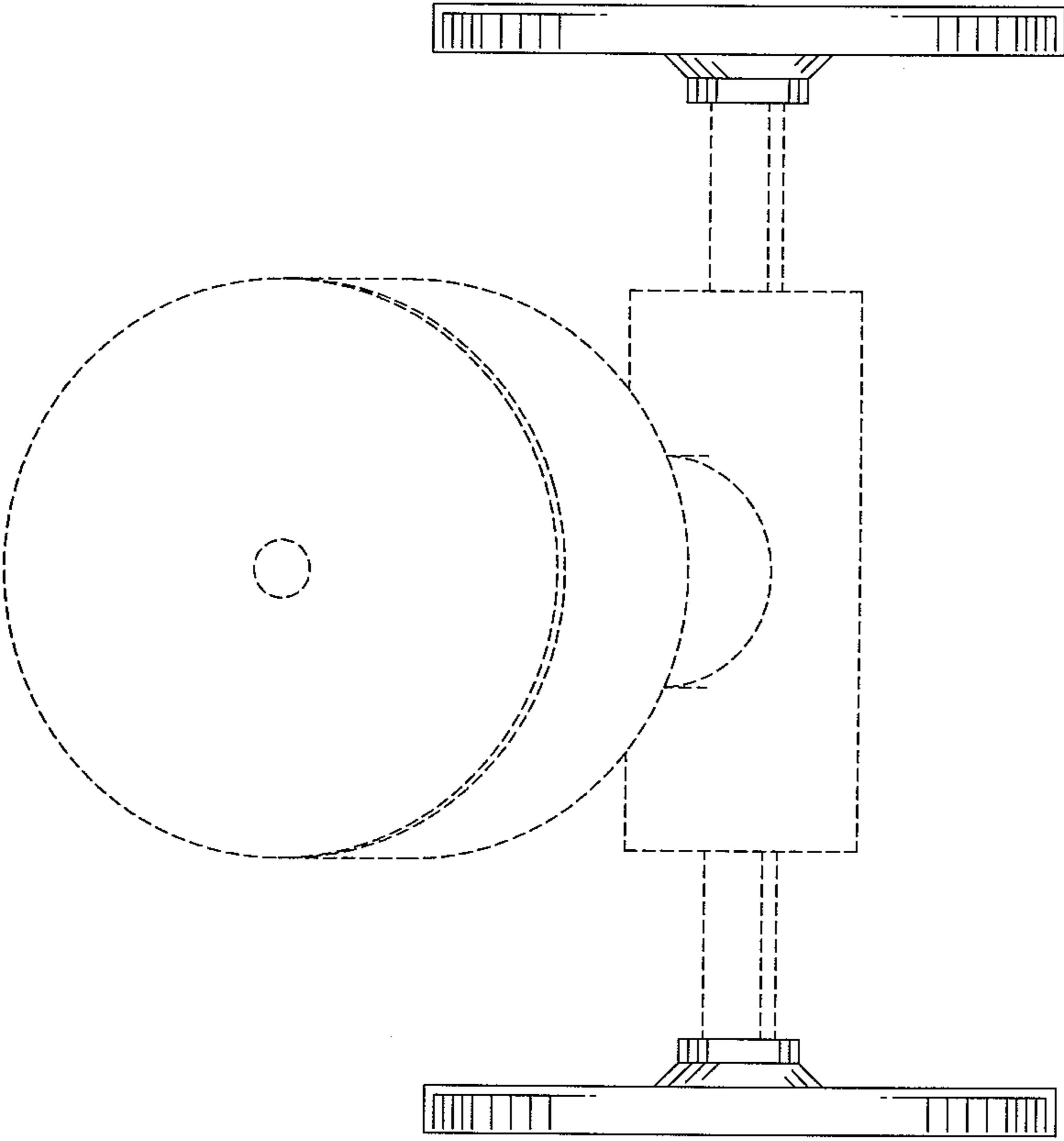


FIG. 4

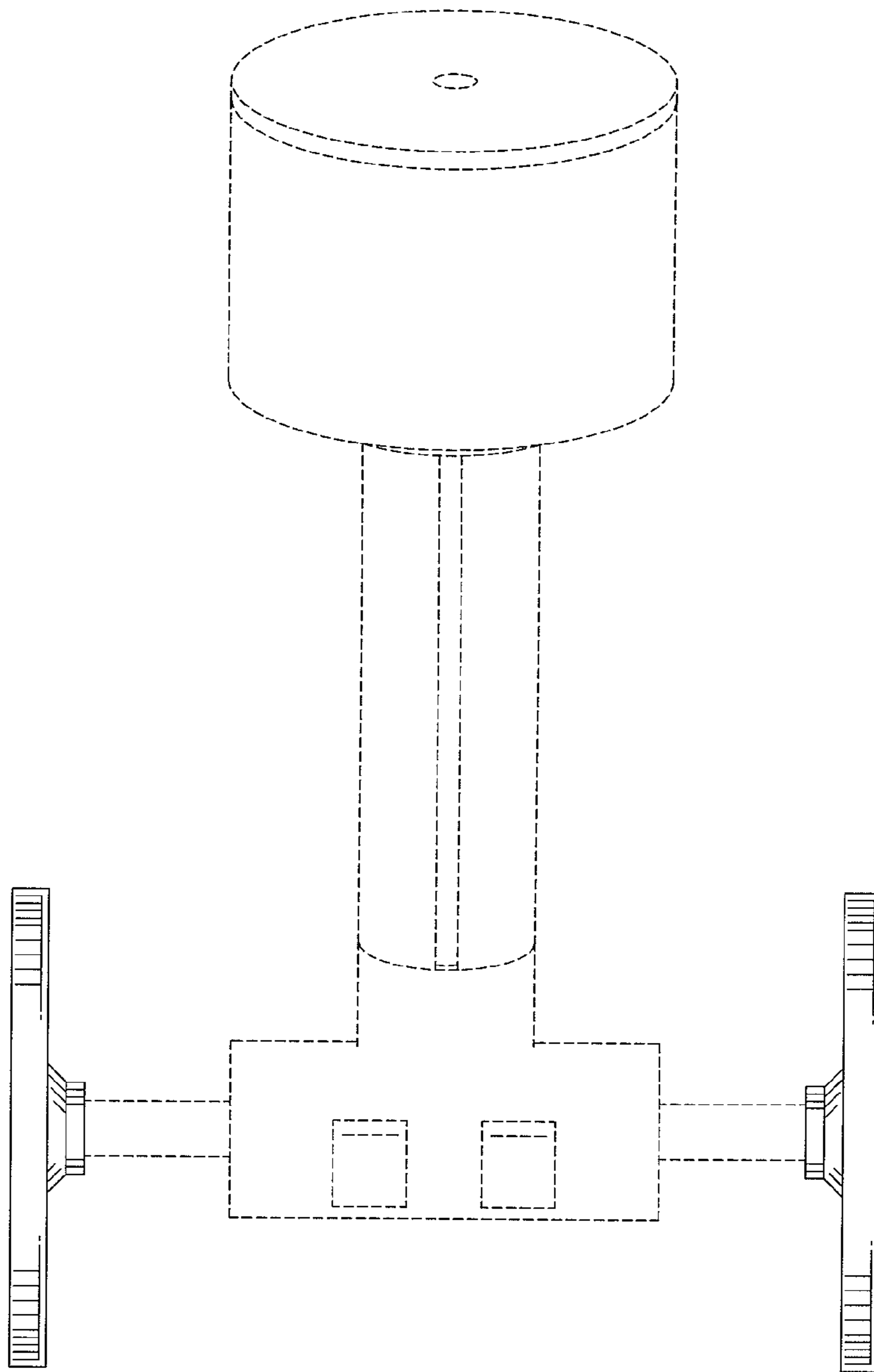


FIG. 5

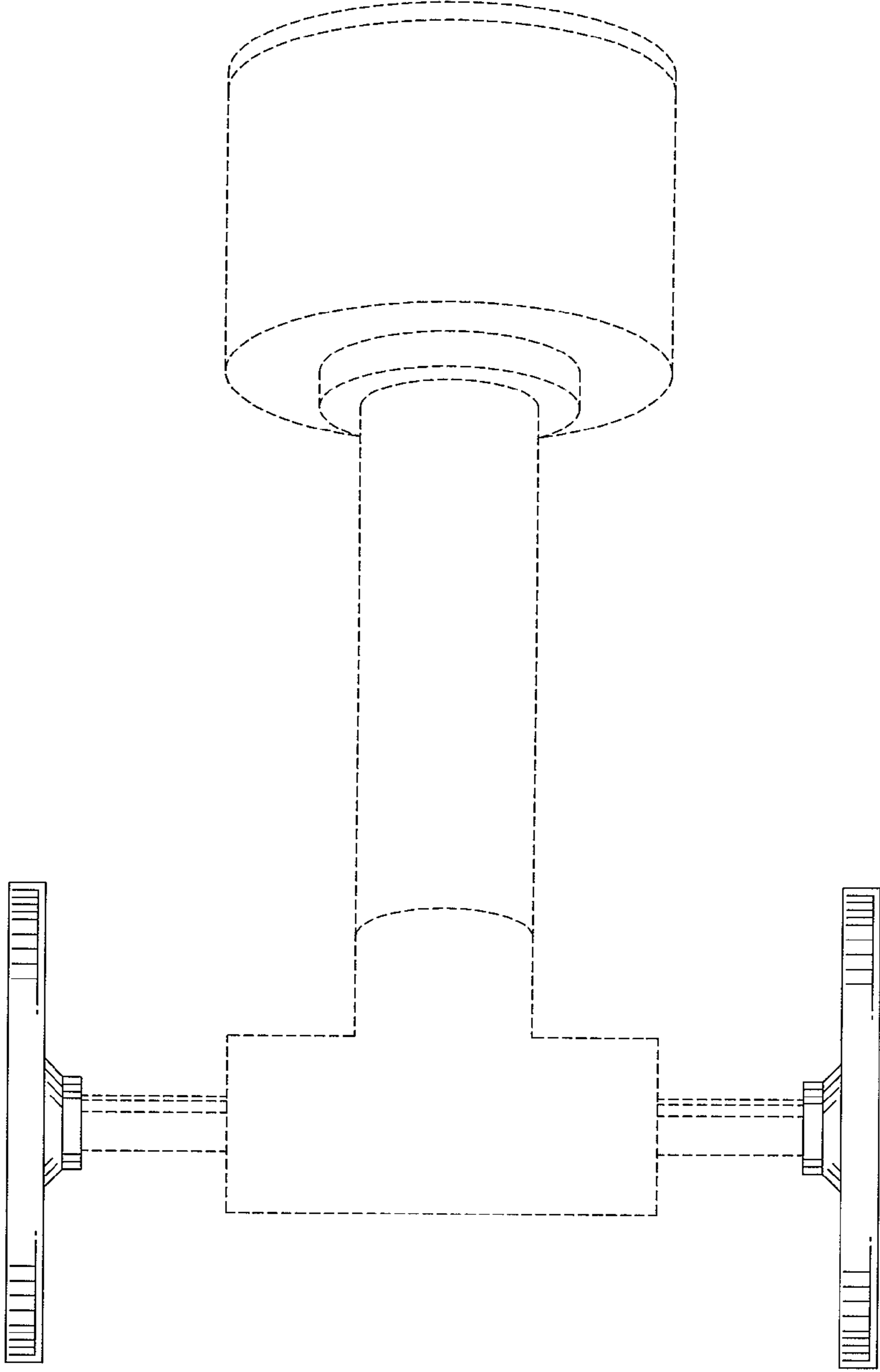


FIG. 6

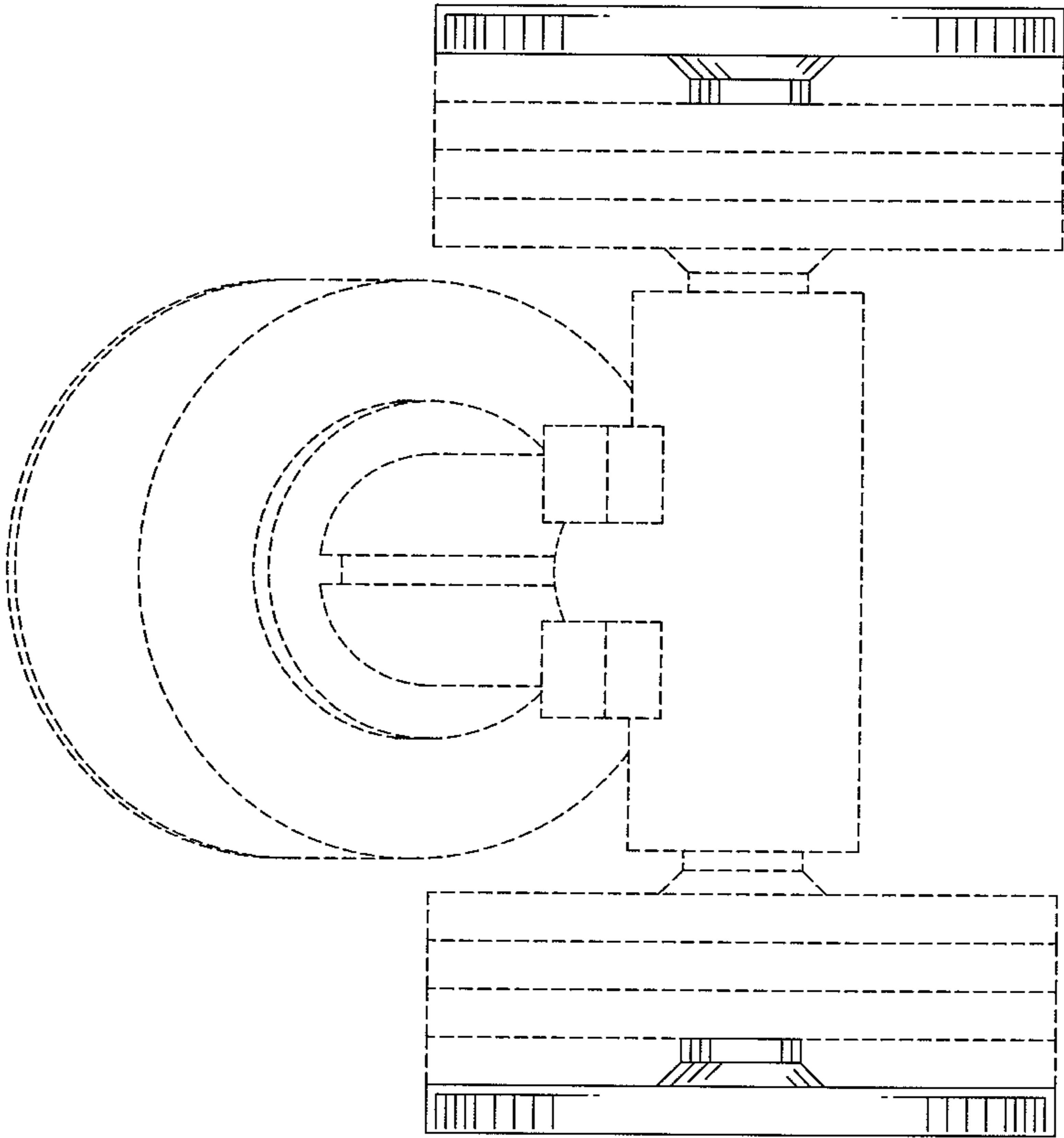


FIG. 7

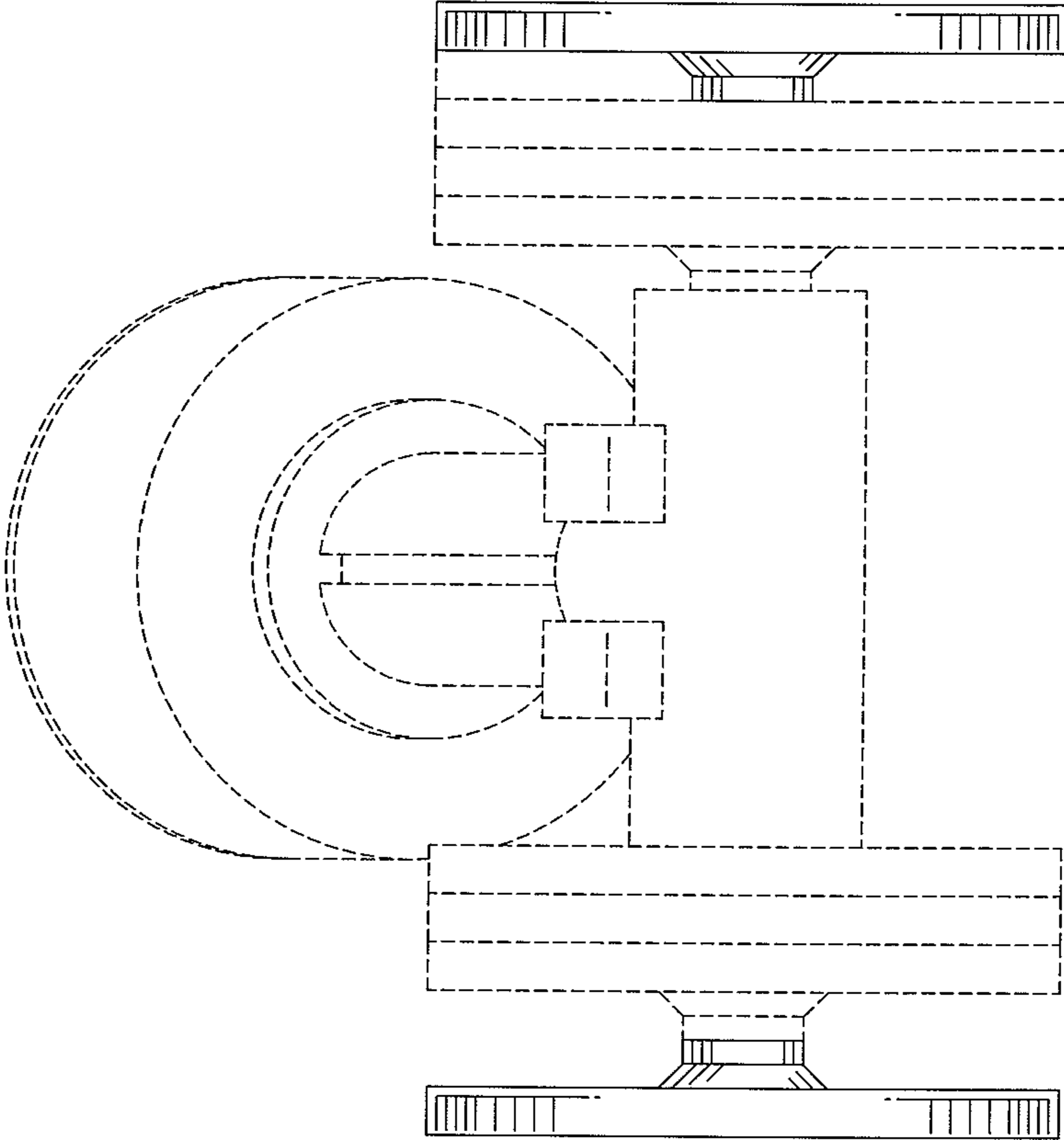


FIG. 8

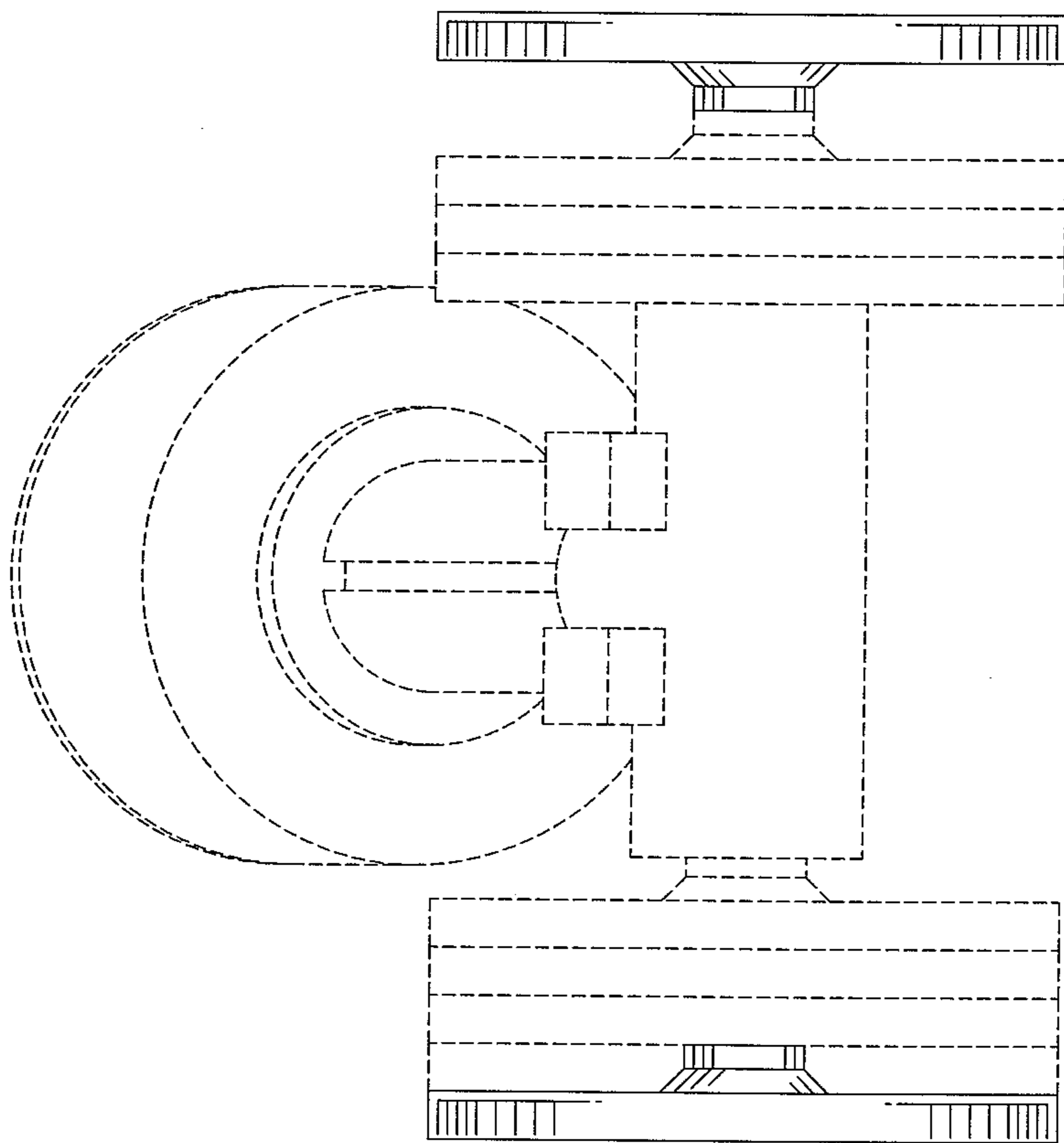


FIG. 9

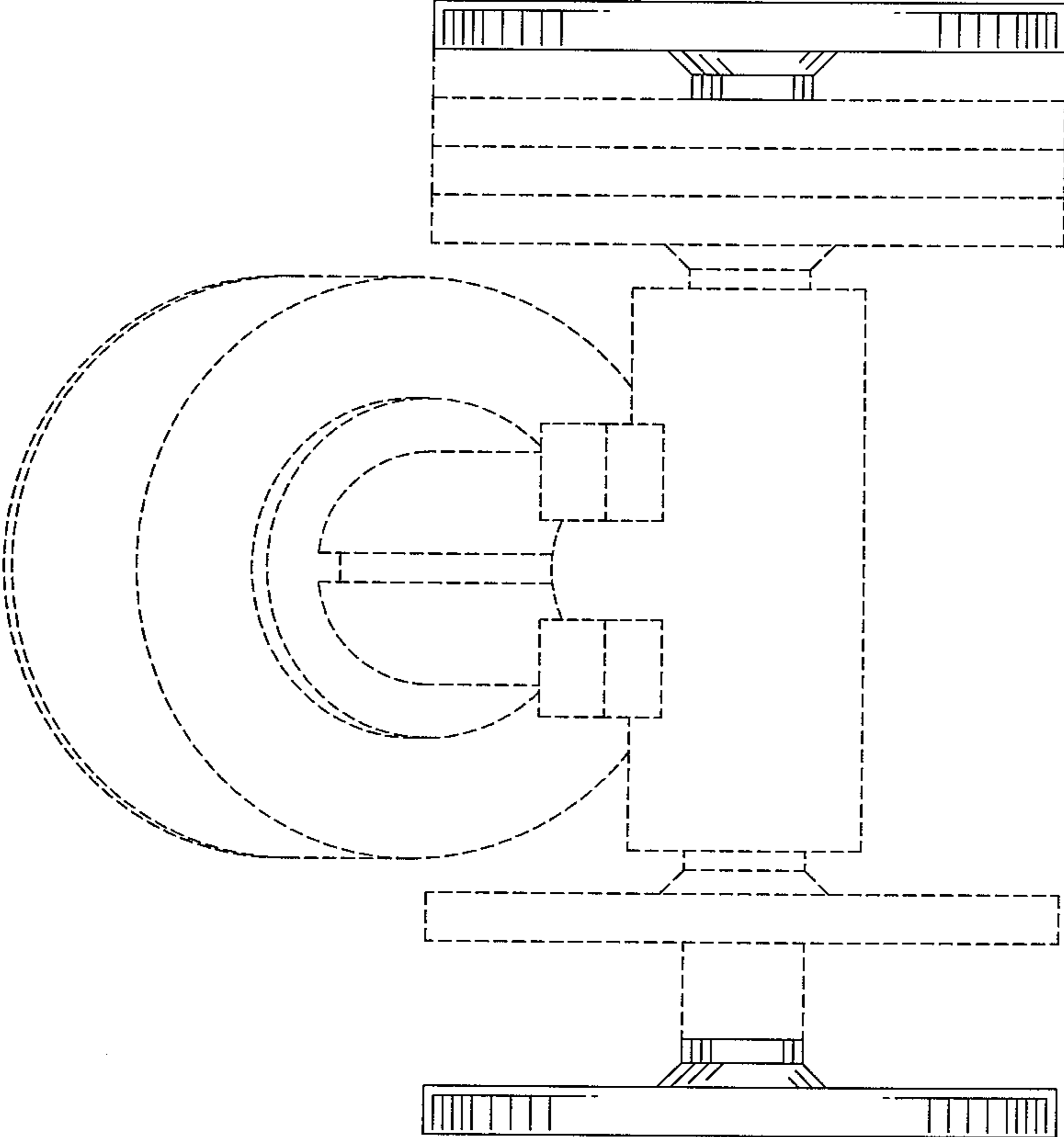


FIG. 10

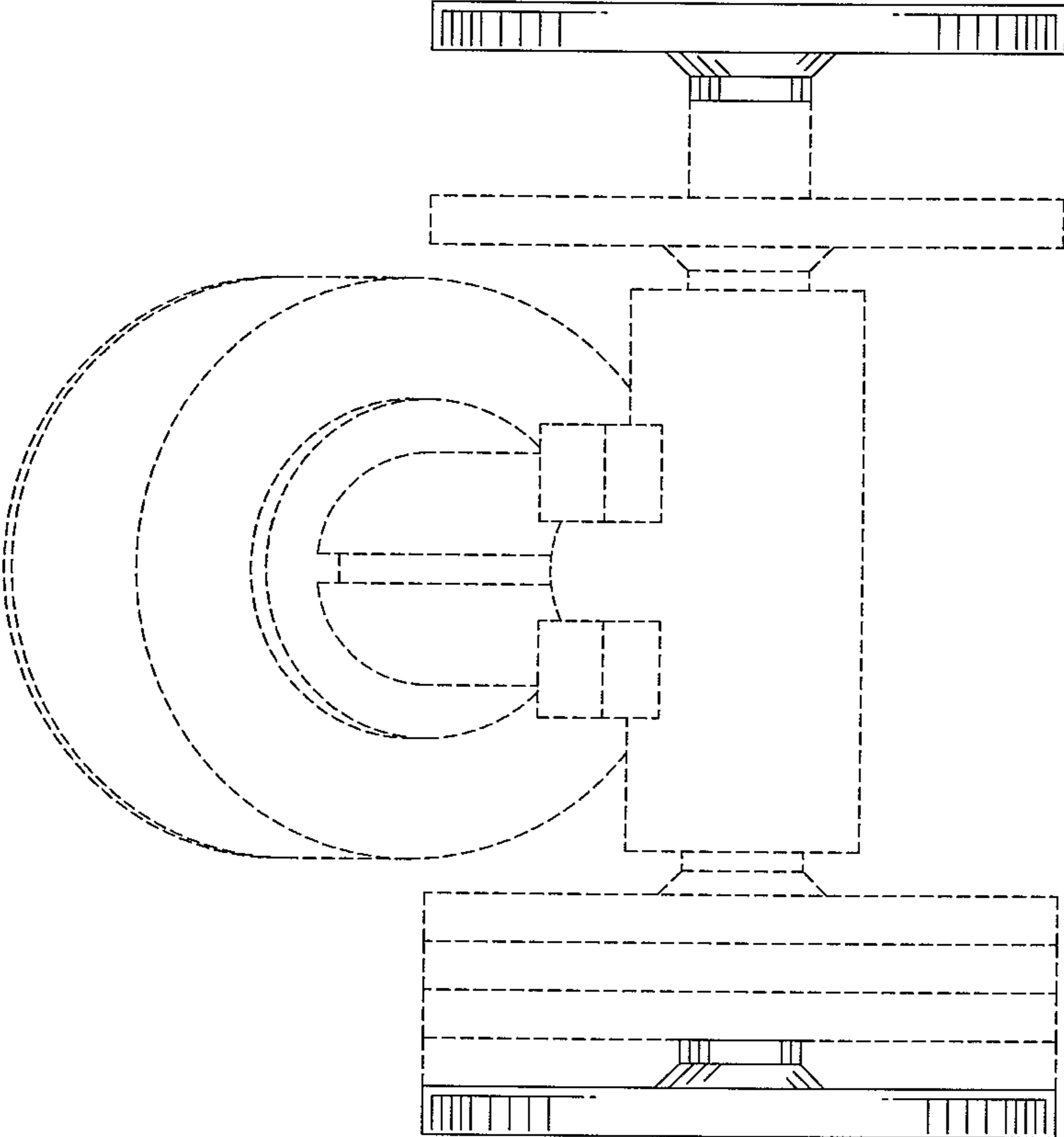


FIG. 11

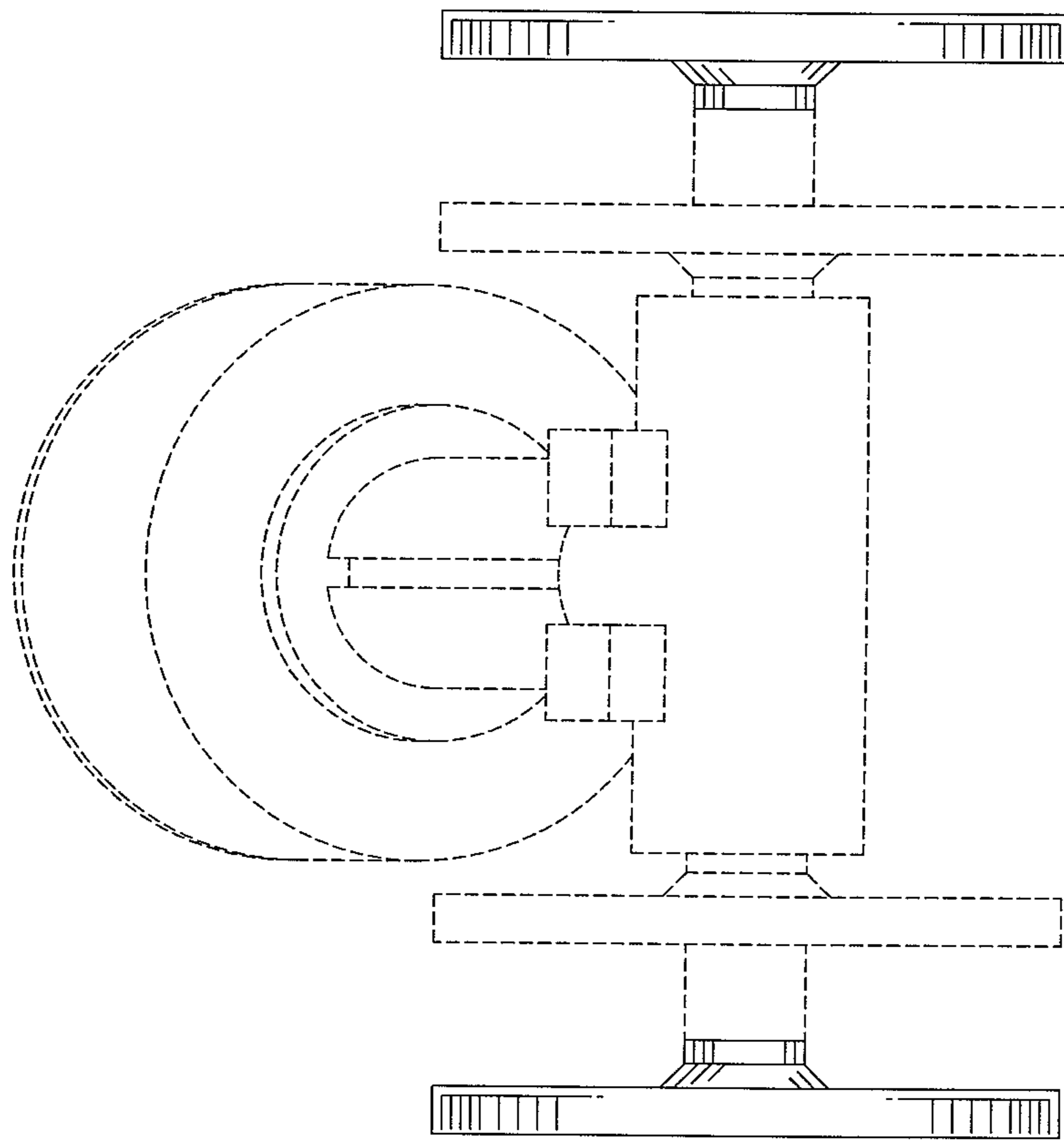


FIG. 12

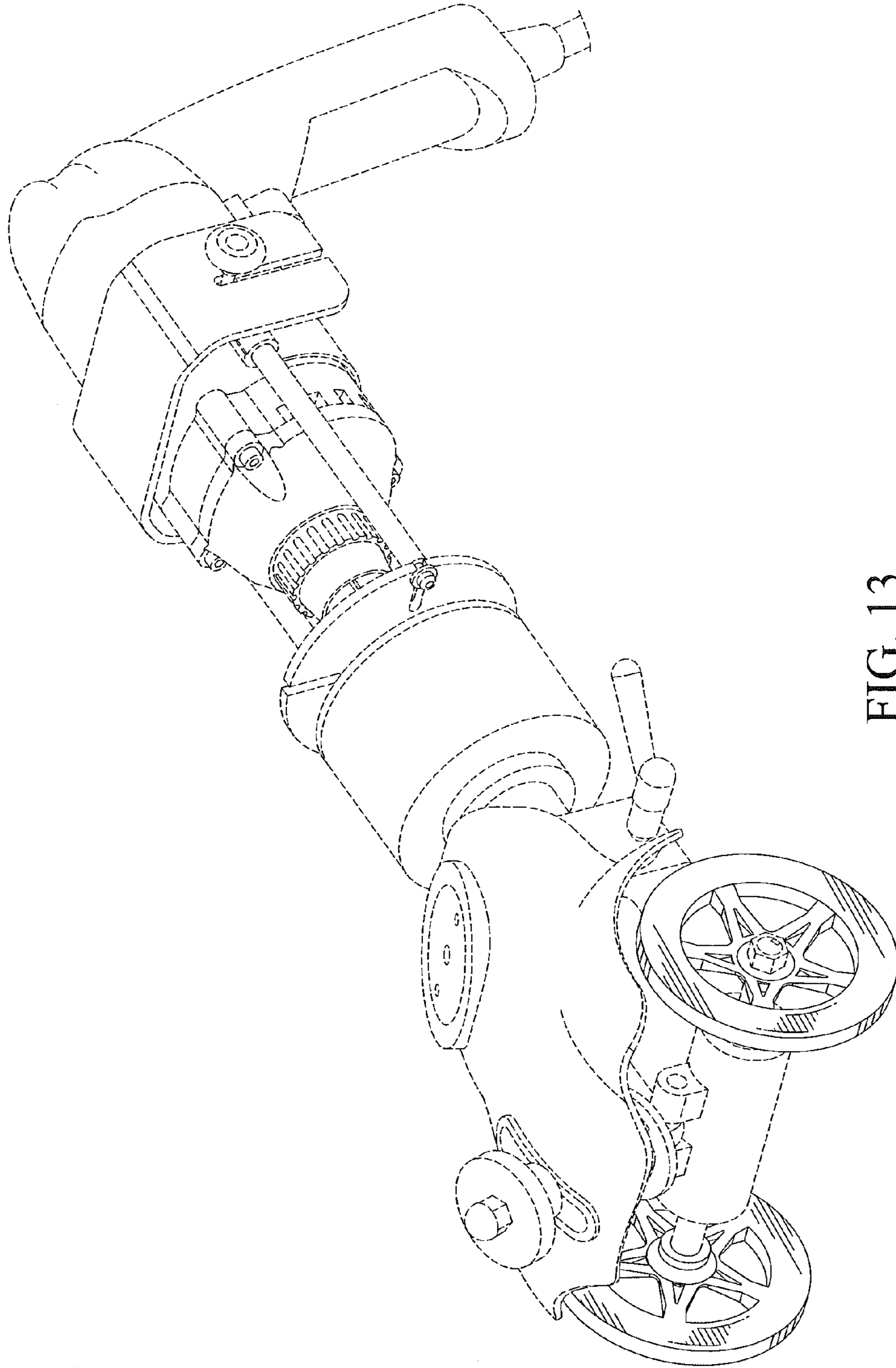


FIG. 13