

US00D757137S

(12) **United States Design Patent**
Cerniglia

(10) **Patent No.:** **US D757,137 S**

(45) **Date of Patent:** **** May 24, 2016**

(54) **LOCATING RING**

(71) Applicant: **Anthony Cerniglia**, Wauconda, IL (US)

(72) Inventor: **Anthony Cerniglia**, Wauconda, IL (US)

(**) Term: **14 Years**

(21) Appl. No.: **29/501,777**

(22) Filed: **Sep. 8, 2014**

Related U.S. Application Data

(62) Division of application No. 29/422,198, filed on May 17, 2012, now Pat. No. Des. 712,940.

(51) **LOC (10) Cl.** **15-09**

(52) **U.S. Cl.**
USPC **D15/135**

(58) **Field of Classification Search**
USPC D15/135, 136, 137; 29/402.08, 428.29,
29/464; 425/19, 23, 43, 58, 150
CPC G11B 23/0035; B29C 45/26; B29C 45/17;
B29C 45/1742; B29D 30/54; F16C 45/1761
See application file for complete search history.

(56) **References Cited**

U.S. PATENT DOCUMENTS

2,659,104 A * 11/1953 Glynn 425/19
4,008,486 A * 2/1977 Byczkowski 257/689

4,030,869 A * 6/1977 Miller et al. 425/471
4,480,282 A * 10/1984 Brock et al. 360/135
5,472,298 A * 12/1995 Mihai 408/13
6,305,517 B1 * 10/2001 Cole 192/48.91
D699,770 S * 2/2014 Kmoch et al. D15/136
2014/0075730 A1 * 3/2014 Cerniglia 29/402.08
2014/0079840 A1 * 3/2014 Eigler et al. 425/192 R

* cited by examiner

Primary Examiner — Patricia Palasik

(74) *Attorney, Agent, or Firm* — Lempia Summerfield Katz LLC

(57) **CLAIM**

The ornamental design for a “locating ring”, as shown and described.

DESCRIPTION

FIG. 1 is a bottom, front, and left side perspective view showing my new design for a locating ring.

FIG. 2 is a front plan view of the locating ring shown in FIG. 1.

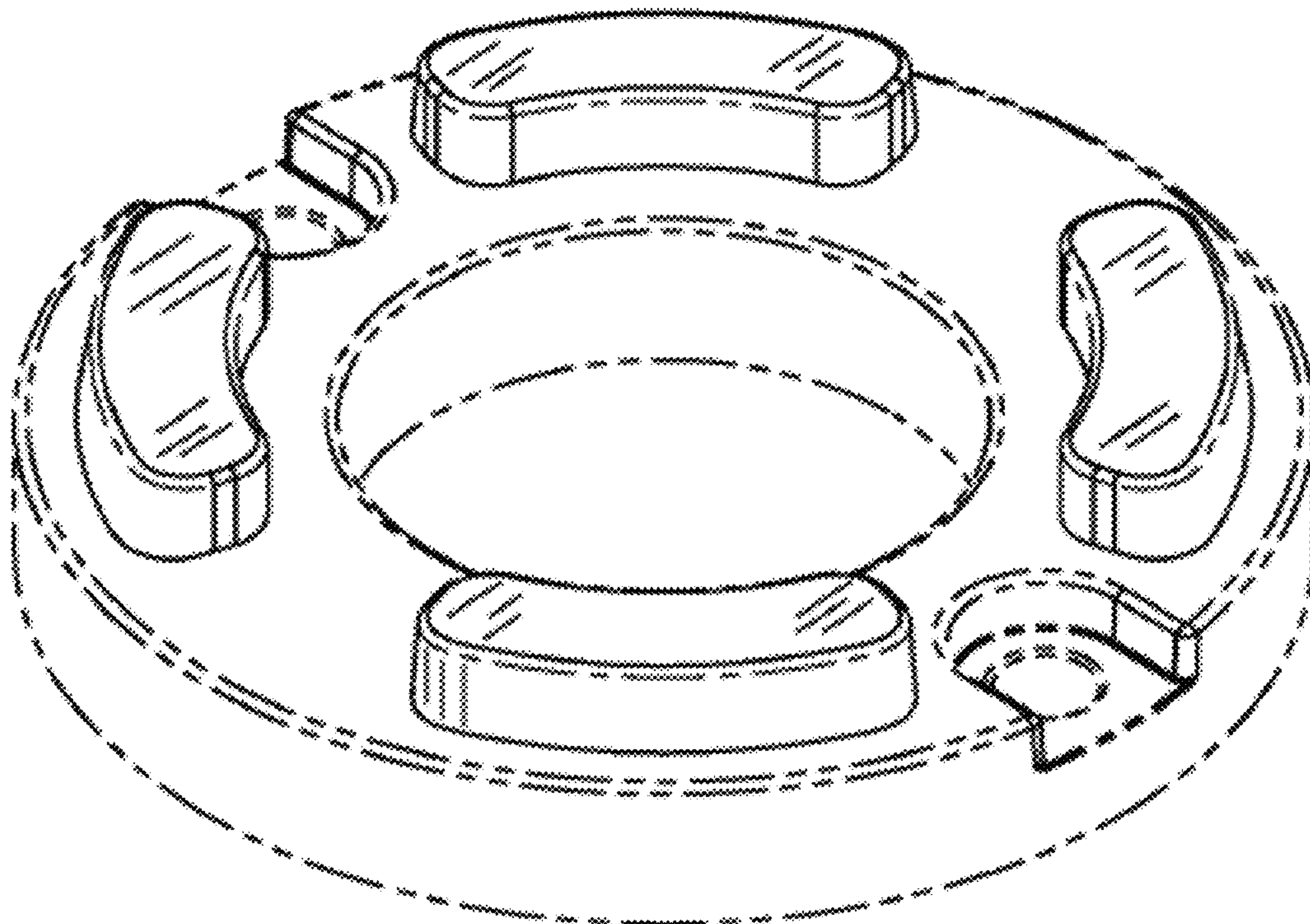
FIG. 3 is a left side view of the locating ring shown in FIG. 1, the right side view being a mirror image thereof.

FIG. 4 is a bottom view of the locating ring shown in FIG. 1, the top view being a mirror image thereof; and,

FIG. 5 is a rear plan view of the locating ring shown in FIG. 1.

The subject matter shown in broken lines is for illustrative purposes only and forms no part of the claimed design.

1 Claim, 4 Drawing Sheets



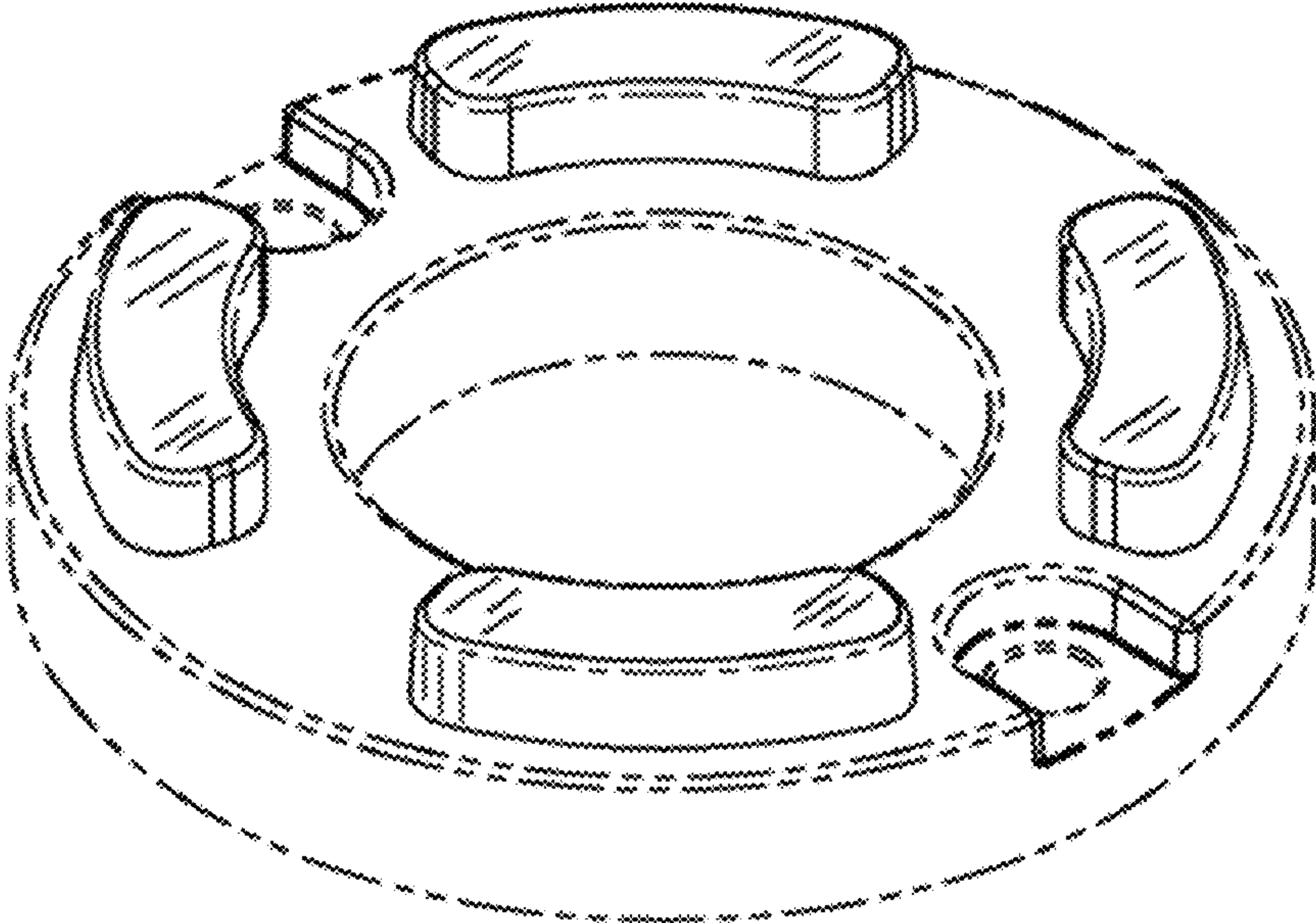


FIG. 1

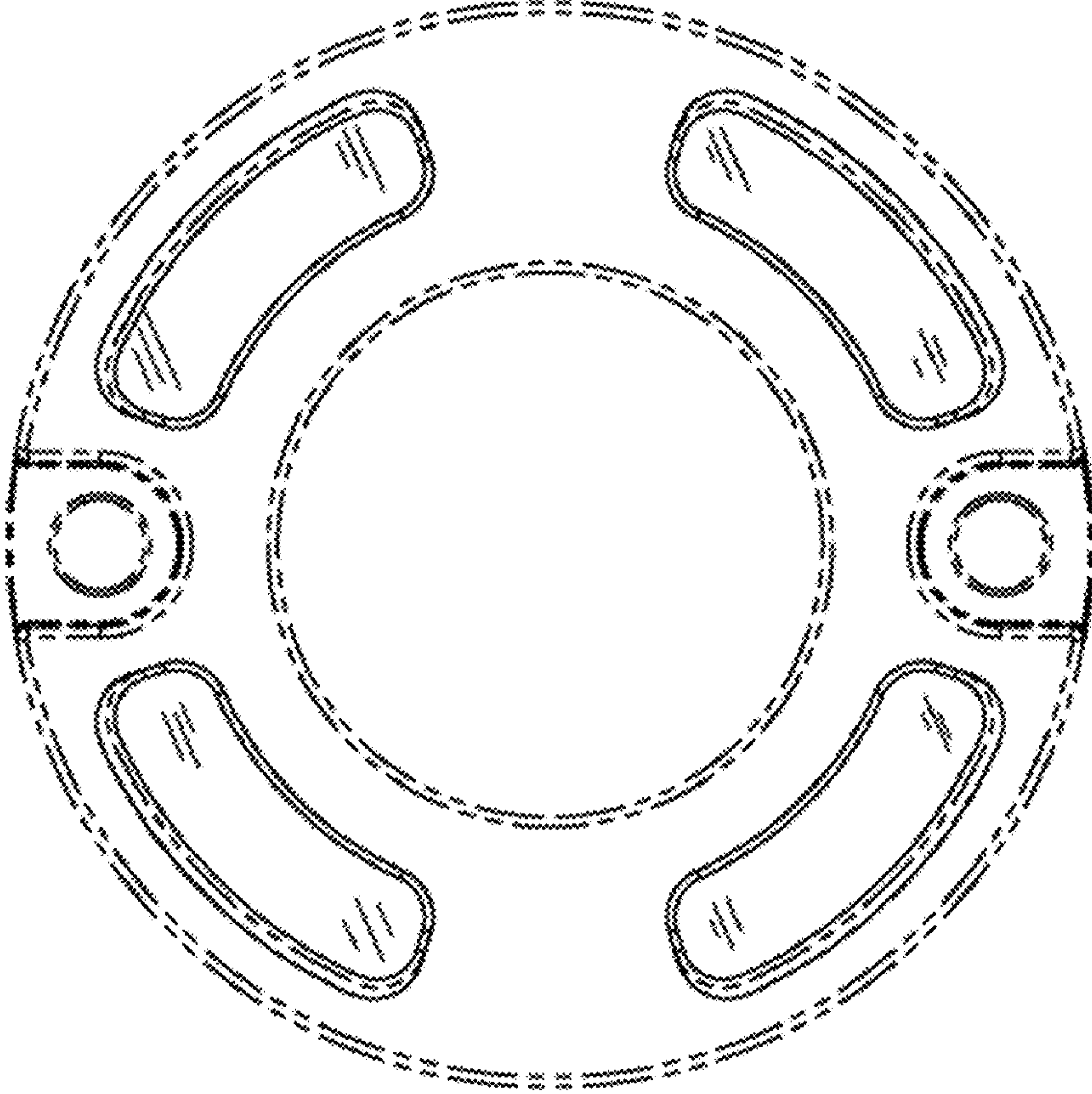


FIG. 2

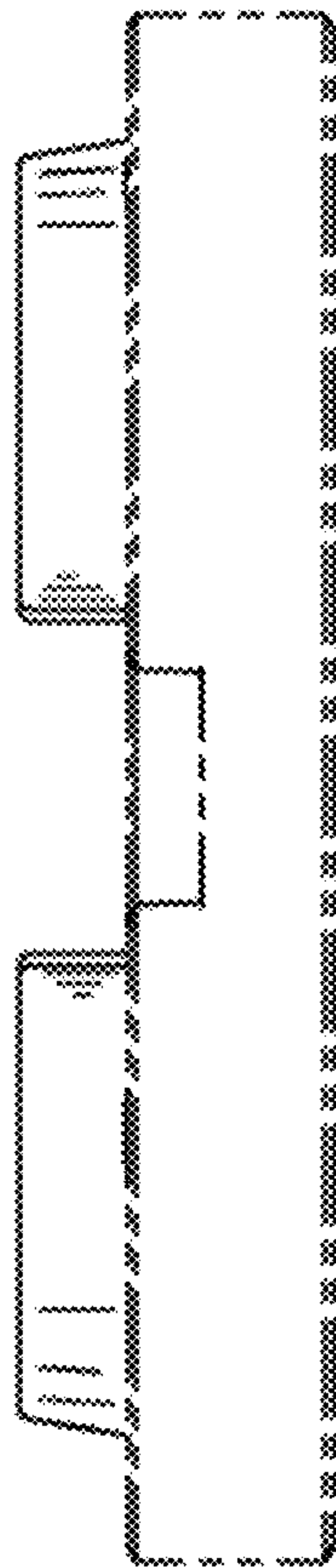


FIG. 3

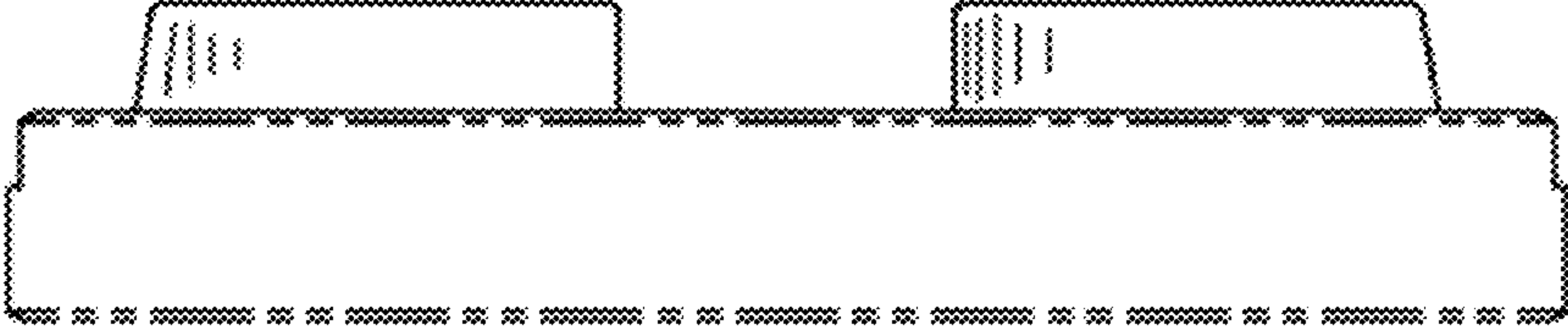


FIG. 4

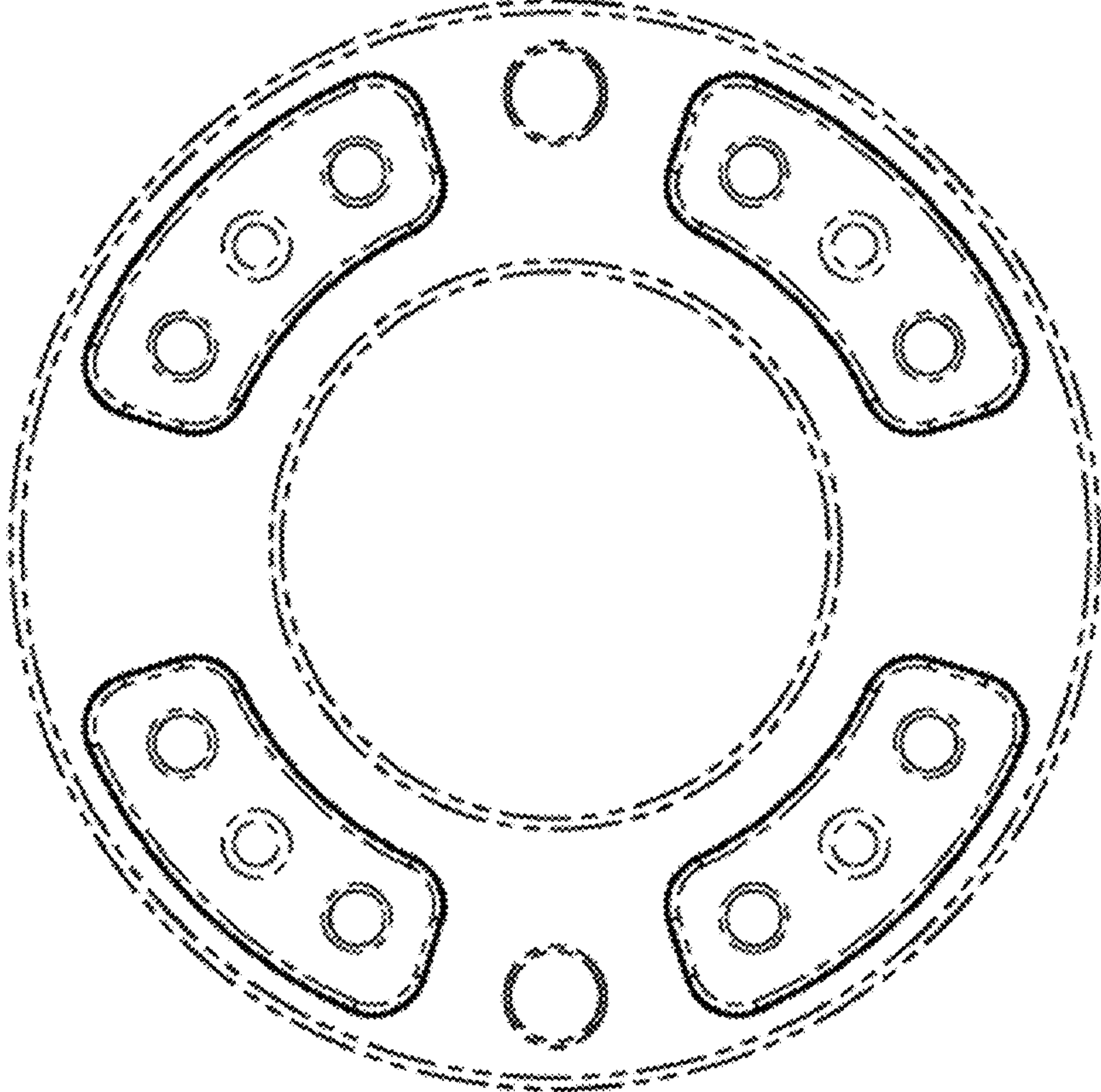


FIG. 5