



US00D757136S

(12) **United States Design Patent**
Yu

(10) **Patent No.:** **US D757,136 S**
(45) **Date of Patent:** **** May 24, 2016**

- (54) **ROCK TUMBLER**
- (71) Applicant: **Felix Yu**, Kowloon (HK)
- (72) Inventor: **Felix Yu**, Kowloon (HK)
- (73) Assignee: **Soma International LTD.**, Kowloon (HK)
- (**) Term: **14 Years**
- (21) Appl. No.: **29/516,974**
- (22) Filed: **Feb. 9, 2015**
- (51) **LOC (10) Cl.** **15-09**
- (52) **U.S. Cl.**
USPC **D15/124**
- (58) **Field of Classification Search**
USPC D15/123, 124, 125, 126
See application file for complete search history.

(56) **References Cited**

U.S. PATENT DOCUMENTS

- 268,180 A * 11/1882 Butterfield B24B 31/02
451/328
- 415,744 A * 11/1889 Smith B24B 31/02
451/328
- 423,250 A * 3/1890 Henderson, Jr. B24B 31/02
451/328
- 1,491,602 A * 4/1924 Fuller B24B 31/02
451/32
- 1,890,443 A * 12/1932 Anstice B24B 31/02
209/251
- 2,224,545 A * 12/1940 Lach B24B 31/02
15/90
- 2,359,322 A * 10/1944 Lupo B24B 31/02
451/328
- 2,465,632 A * 3/1949 Burns B24B 31/02
451/328
- 2,509,041 A * 5/1950 Lubenow B08B 7/0092
451/328
- 2,809,473 A * 10/1957 Heaphy B24B 31/027
241/175
- 2,843,979 A * 7/1958 Lupo B24B 31/02
451/328
- 2,912,803 A * 11/1959 Simjian B24B 31/00
366/220

- 2,966,014 A * 12/1960 Romine B24B 31/02
451/328
- 3,014,315 A * 12/1961 Clayton B03B 5/56
134/153
- 3,030,746 A * 4/1962 Firestine B24B 31/02
451/32
- 3,129,536 A * 4/1964 Spurlin B24B 31/027
451/326
- 3,134,203 A * 5/1964 Roberts B08B 3/06
134/157
- 3,146,557 A * 9/1964 Smith B24B 31/02
241/176
- 3,562,962 A * 2/1971 Ohno B24B 31/0218
366/235
- 3,765,131 A * 10/1973 Christensen B24B 31/02
366/220
- 3,816,999 A * 6/1974 Dreher B24B 31/02
134/159
- 3,861,086 A * 1/1975 Dreher B24B 31/02
451/328
- 4,045,918 A 9/1977 Freedman
- 4,232,486 A * 11/1980 Rampe B24B 31/02
241/175
- 5,018,312 A * 5/1991 Steckis B24B 31/02
241/65
- 5,071,023 A * 12/1991 Perrot B24B 31/02
220/315
- 5,586,925 A * 12/1996 DiNorcia, Sr. B24B 1/007
451/328
- 6,254,466 B1 7/2001 Mucciacciaro et al.

* cited by examiner

Primary Examiner — Patricia Palasik
(74) *Attorney, Agent, or Firm* — Buchanan Ingersoll & Rooney PC

(57) **CLAIM**

The ornamental design for a rock tumbler, as shown and described.

DESCRIPTION

FIG. 1 is a front perspective view of my rock tumbler; FIG. 2 is a rear perspective view thereof; FIG. 3 is a front view thereof; FIG. 4 is a rear view thereof; FIG. 5 is a right side view thereof; FIG. 6 is a left side view thereof; FIG. 7 is a top view thereof; and, FIG. 8 is a bottom view thereof. The broken lines in the drawings depict unclaimed environmental subject matter.

1 Claim, 4 Drawing Sheets

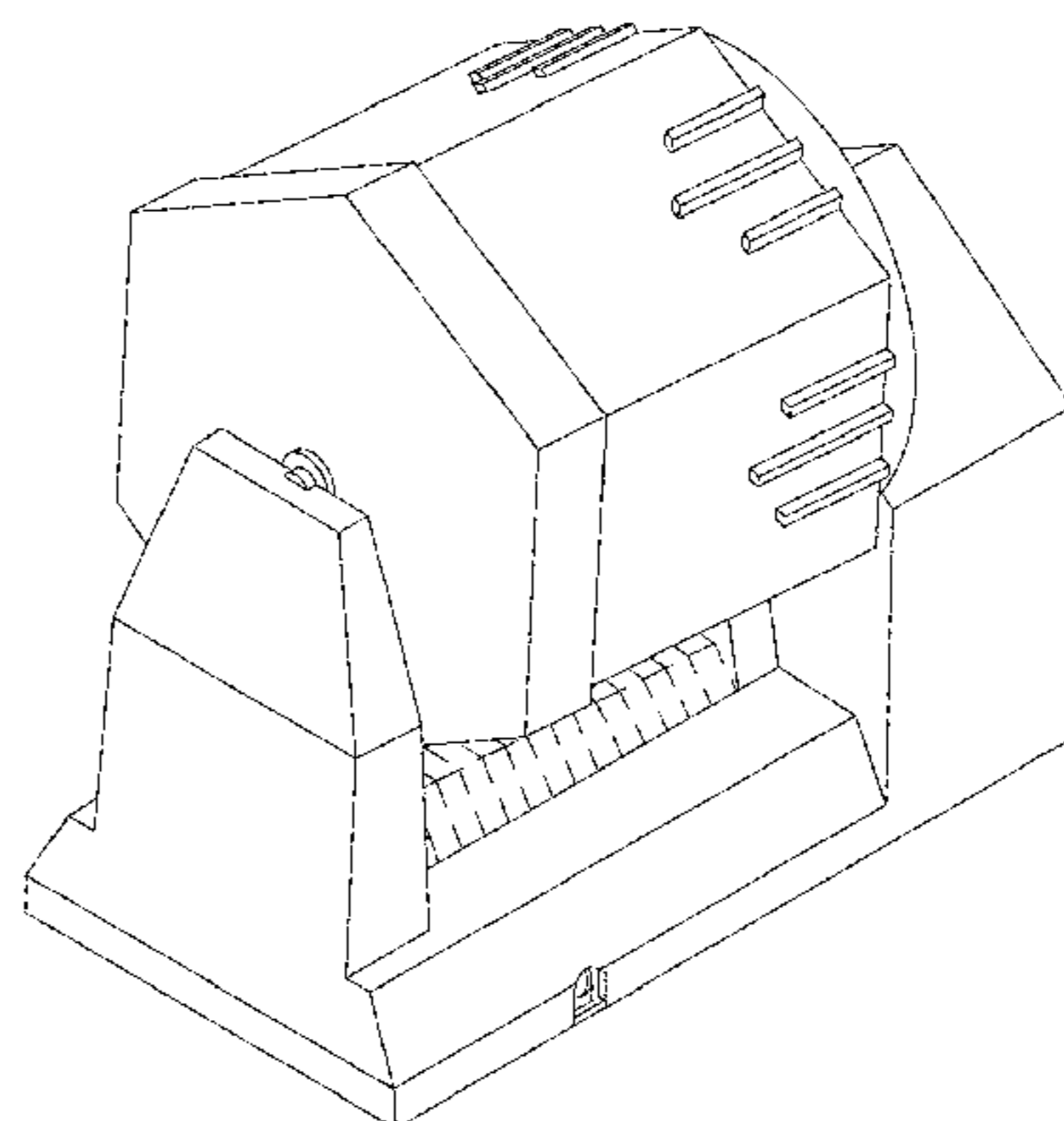
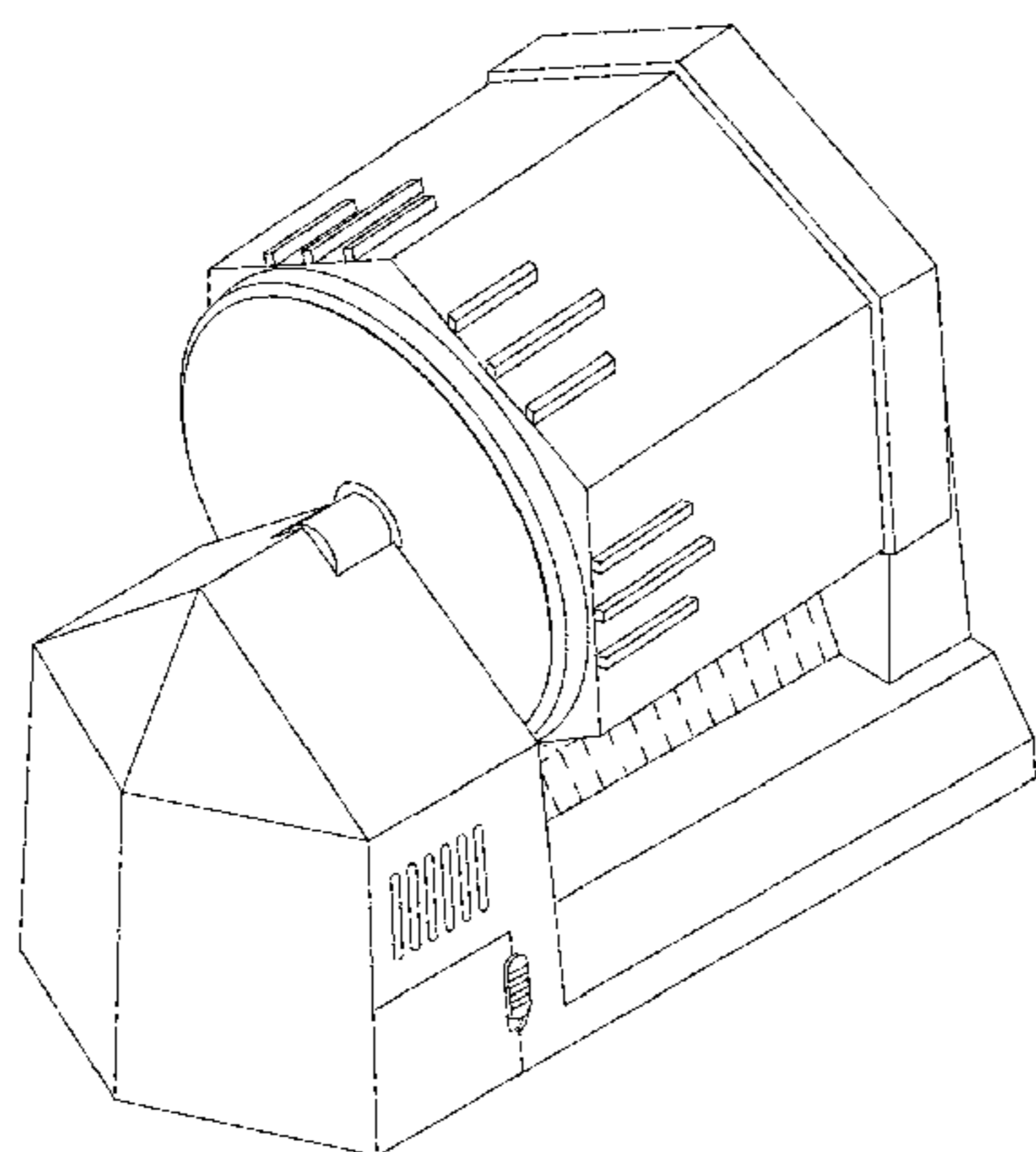


FIG. 1

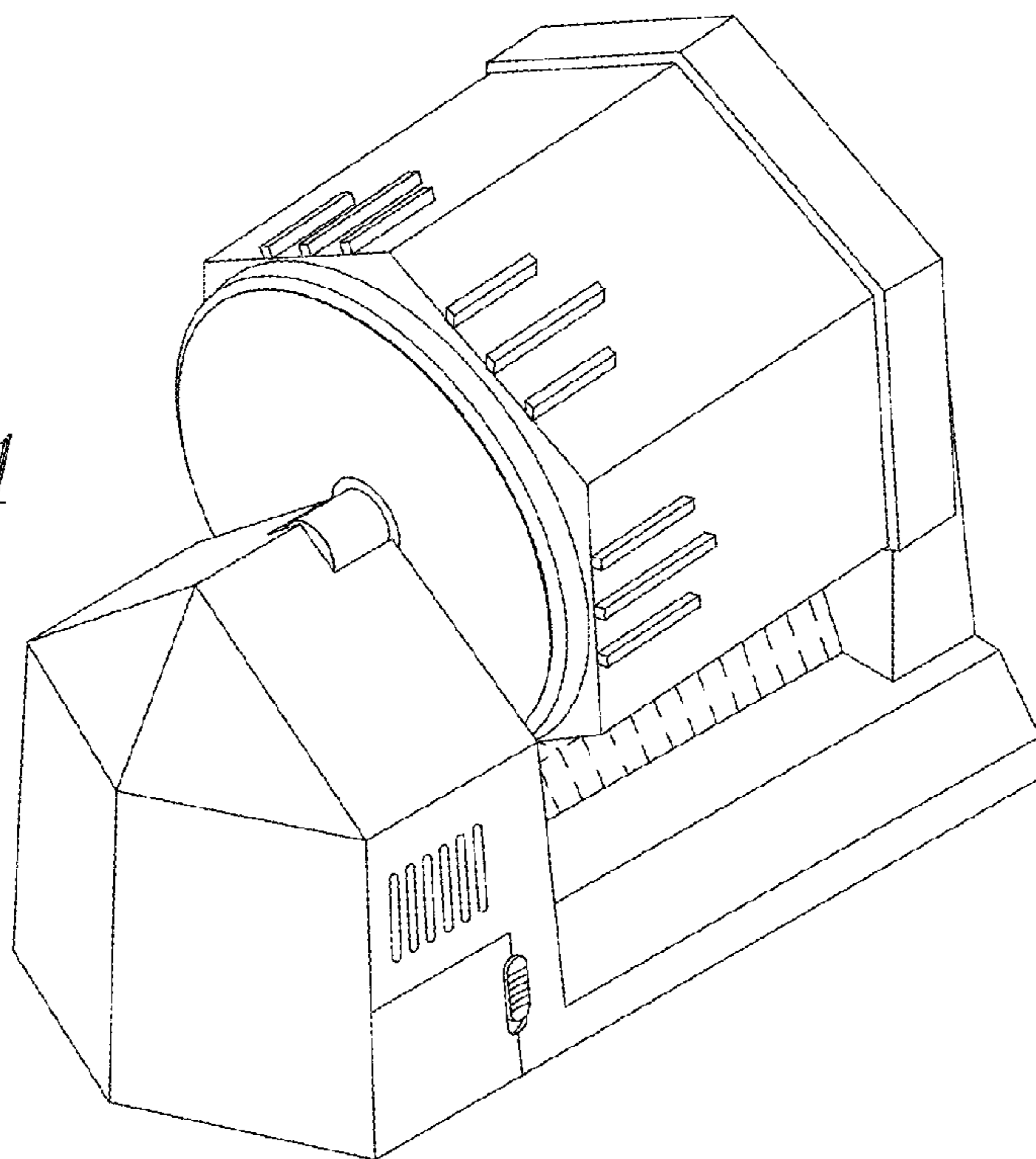
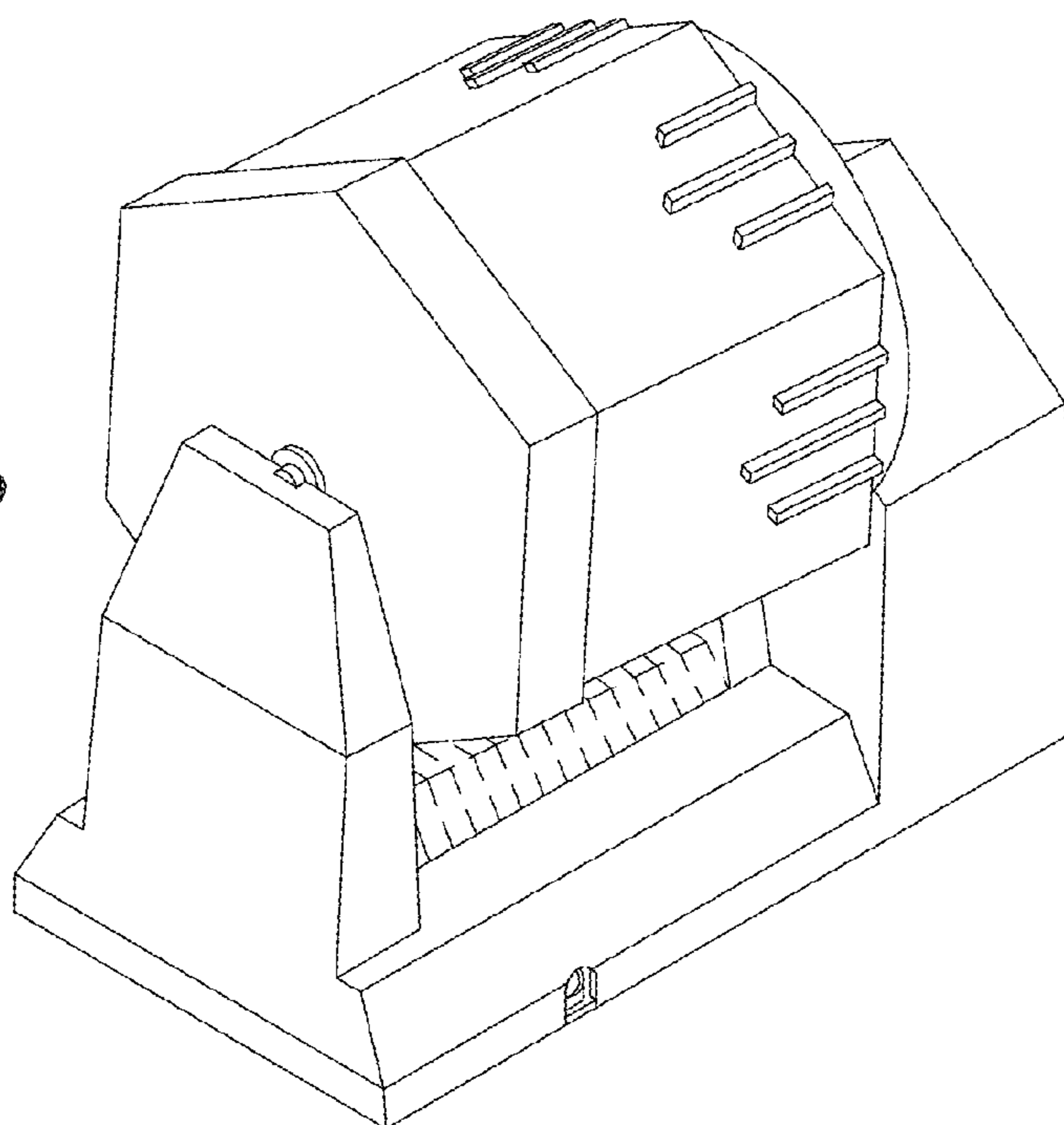


FIG. 2



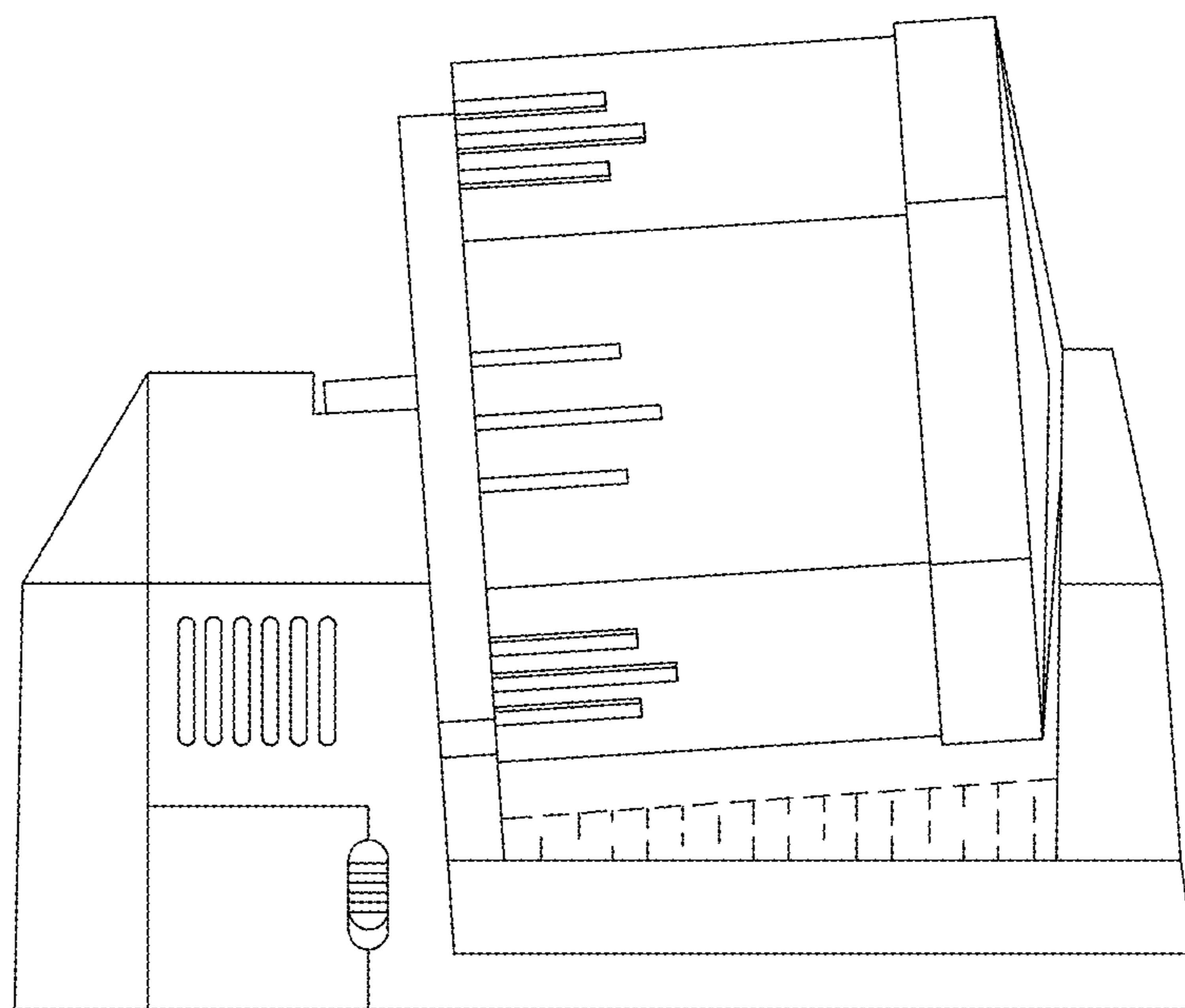


FIG. 3

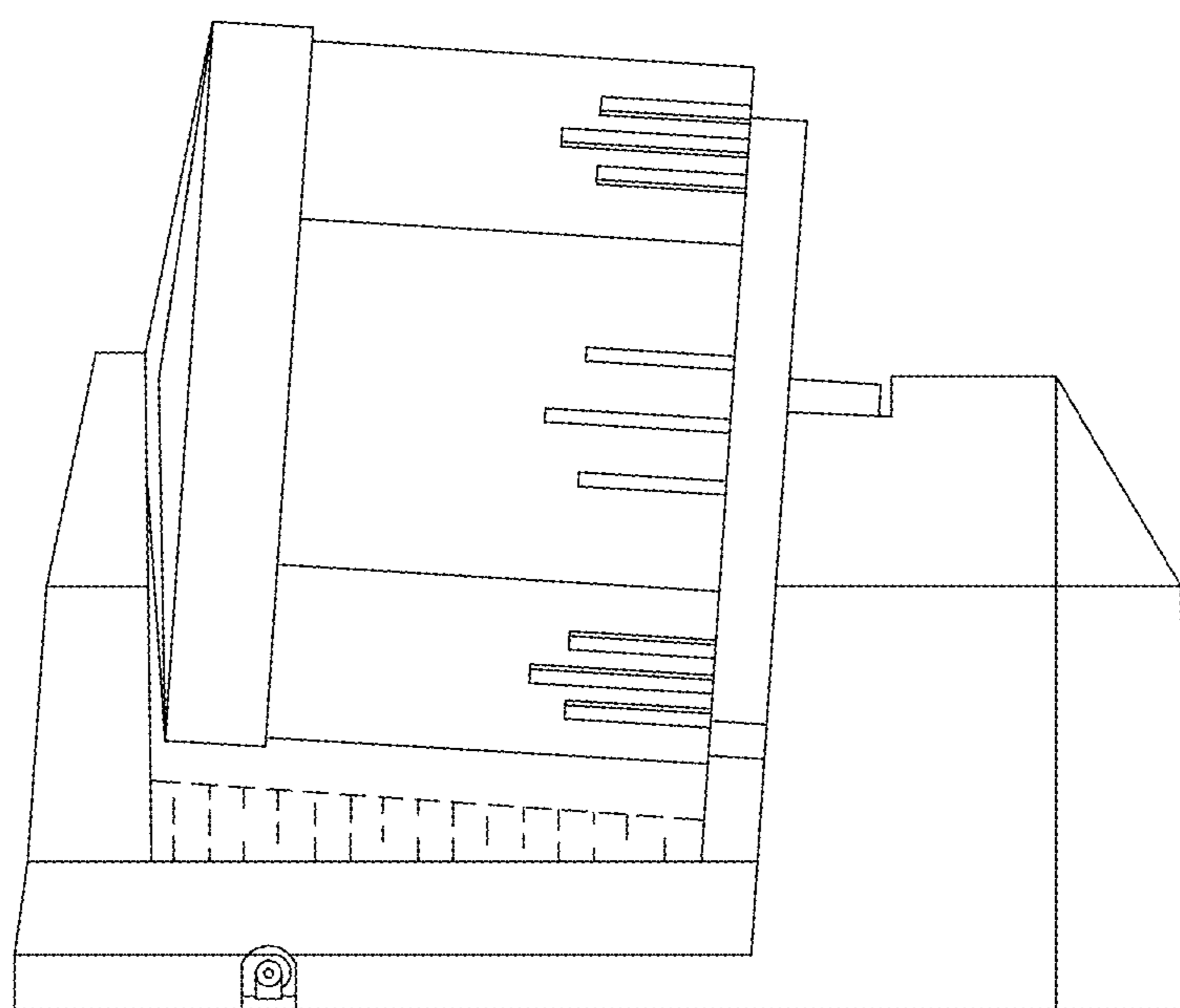


FIG. 4

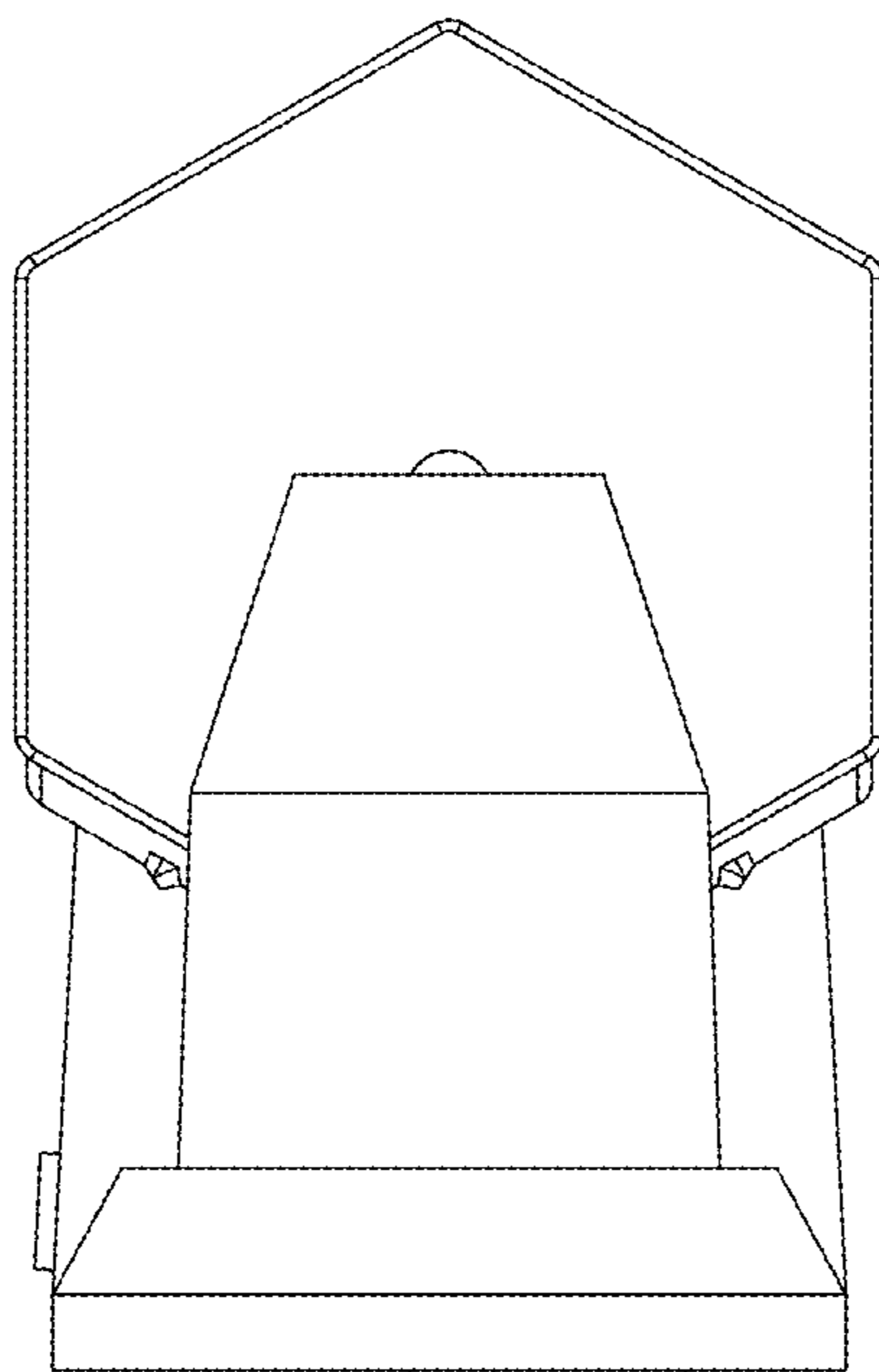


FIG. 5

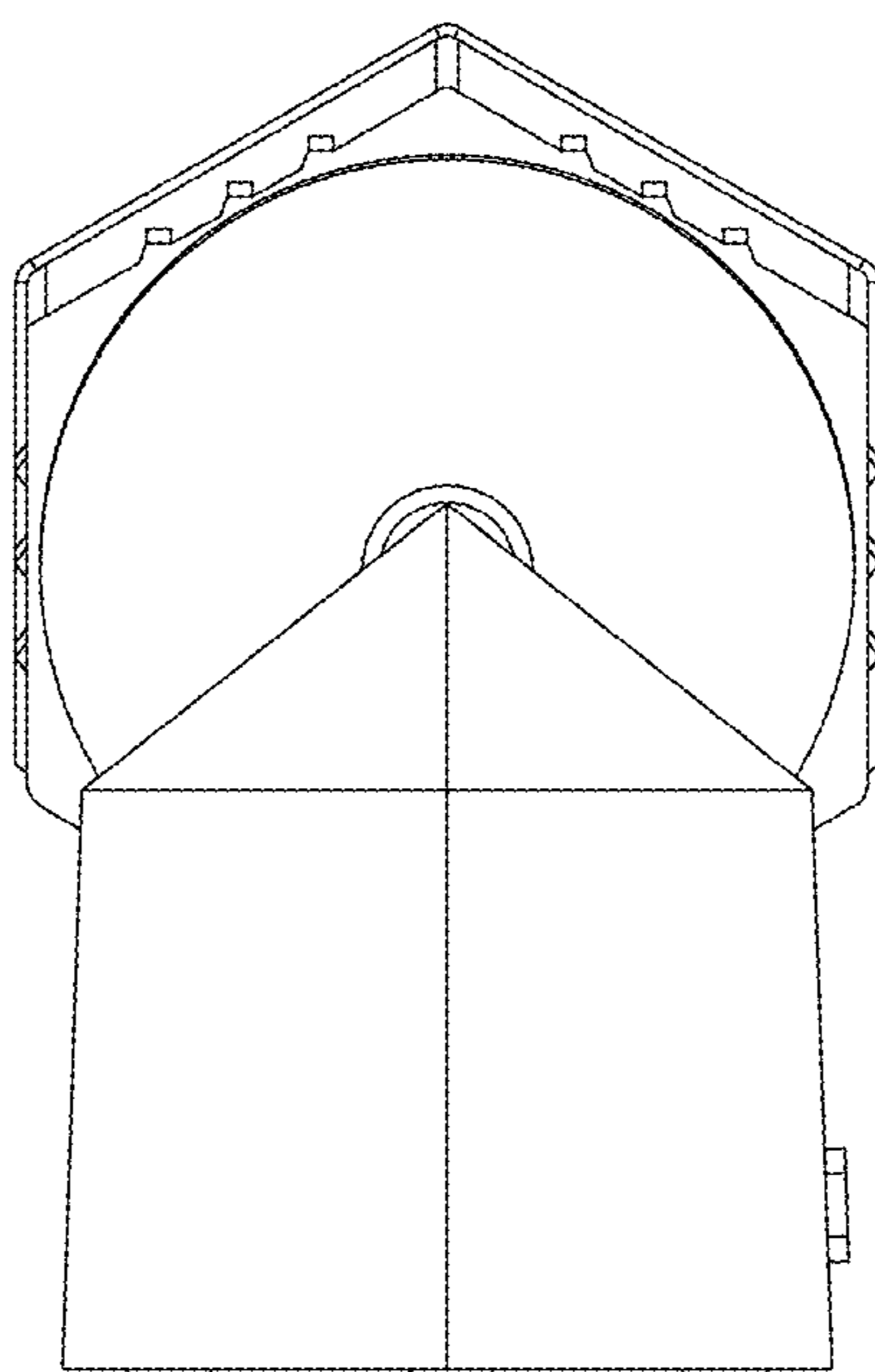


FIG. 6

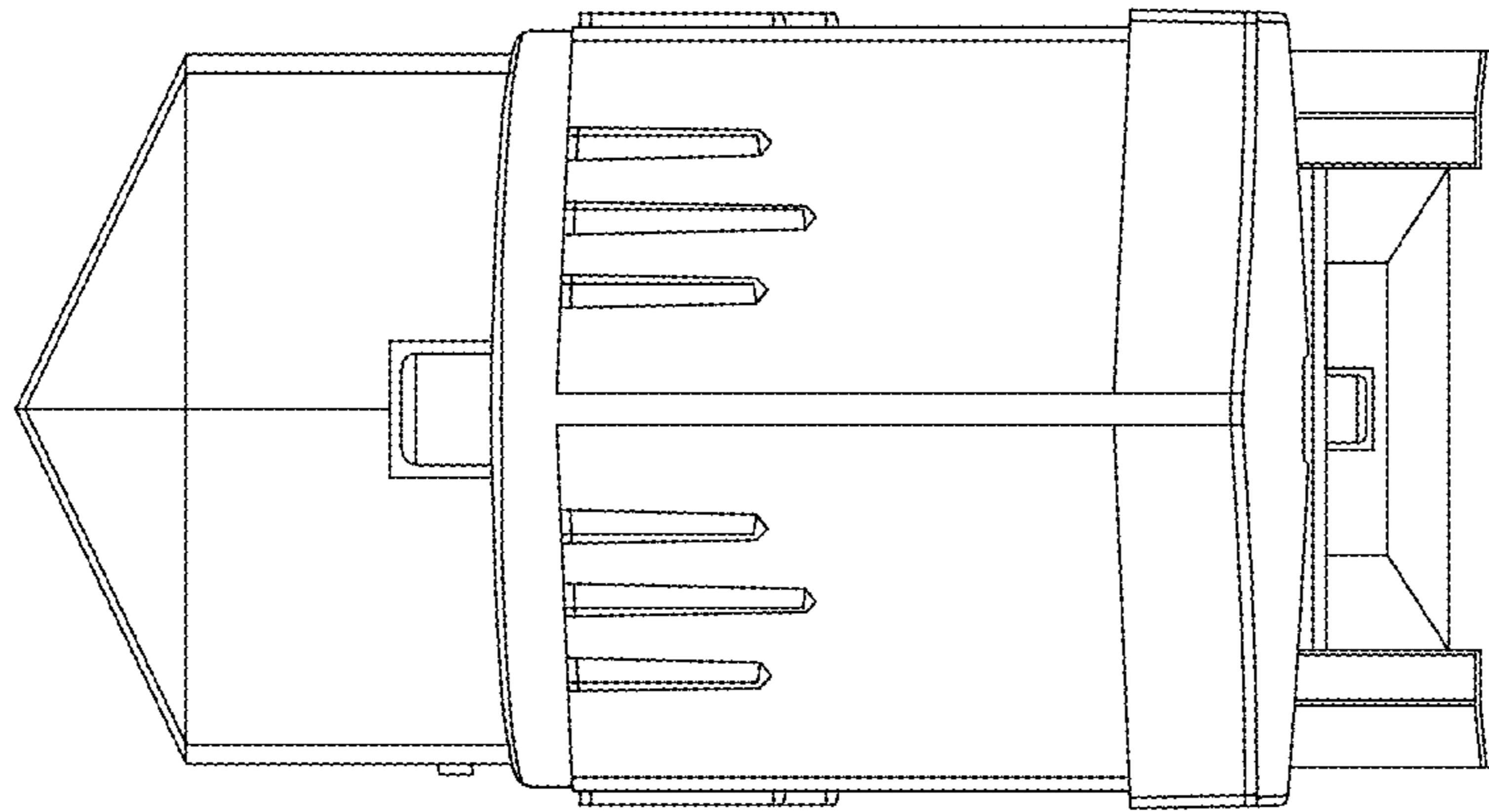


FIG. 7

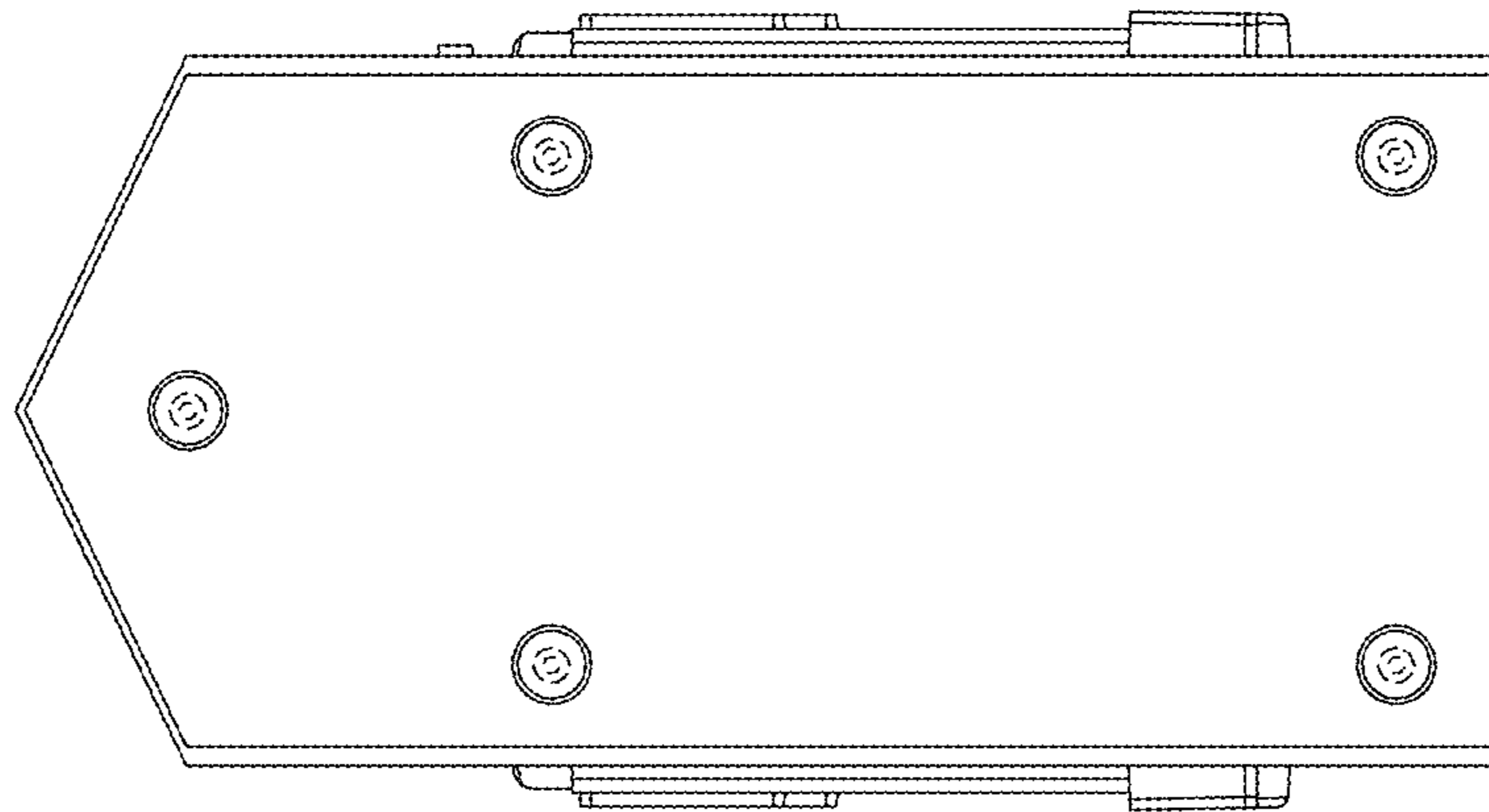


FIG. 8