



US00D757134S

(12) **United States Design Patent**  
**Malmqvist et al.**

(10) **Patent No.:** **US D757,134 S**

(45) **Date of Patent:** **\*\* May 24, 2016**

(54) **GYRATORY CRUSHER**

(71) Applicants: **Patric Malmqvist**, Svedala (SE);  
**Bengt-Arne Eriksson**, Svedala (SE);  
**Frederik Eriksson**, Malmo (SE); **Axel Bergman**, Malmo (SE); **Mikael Larsson**, Eslov (SE)

(72) Inventors: **Patric Malmqvist**, Svedala (SE);  
**Bengt-Arne Eriksson**, Svedala (SE);  
**Frederik Eriksson**, Malmo (SE); **Axel Bergman**, Malmo (SE); **Mikael Larsson**, Eslov (SE)

(73) Assignee: **SANDVIK INTELLECTUAL PROPERTY AB**, Sandviken (SE)

(\*\*) Term: **14 Years**

(21) Appl. No.: **29/523,648**

(22) Filed: **Apr. 13, 2015**

**Related U.S. Application Data**

(62) Division of application No. 29/450,772, filed on Mar. 22, 2013, now Pat. No. Des. 730,415.

(30) **Foreign Application Priority Data**

Feb. 11, 2013	(EM)	001360325-0001
Feb. 11, 2013	(EM)	001360325-0002
Feb. 11, 2013	(EM)	001360325-0003
Feb. 11, 2013	(EM)	001360325-0004
Feb. 11, 2013	(EM)	001360325-0005
Feb. 11, 2013	(EM)	001360325-0006

(51) **LOC (10) Cl.** ..... **15-09**

(52) **U.S. Cl.**  
USPC ..... **D15/123**

(58) **Field of Classification Search**  
USPC ..... D15/122, 123; 72/448, 455, 465;  
100/207, 208, 214, 268, 282, 292;  
241/31, 58, 159, 179, 186, 236, 285;  
435/86, 135, 347, 348.5, 349, 350,  
435/353, 355, 358, 360

See application file for complete search history.

(56) **References Cited**

U.S. PATENT DOCUMENTS

3,843,068	A *	10/1974	Allen	.....	B02C 2/04 228/185
8,070,084	B2 *	12/2011	Biggin	.....	B02C 2/06 241/209
D716,853	S *	11/2014	Malmqvist	.....	D15/123
D730,415	S *	5/2015	Malmqvist	.....	D15/123
2011/0006143	A1 *	1/2011	Gunnarsson	.....	B02C 2/04 241/215
2012/0223171	A1 *	9/2012	Flath	.....	B02C 2/04 241/207
2013/0075508	A1 *	3/2013	Stemper	.....	B02C 2/005 241/207
2013/0334348	A1 *	12/2013	Dricken	.....	B02C 2/047 241/32
2014/0084095	A1 *	3/2014	Glauberger	.....	B02C 18/142 241/277

\* cited by examiner

*Primary Examiner* — Patricia Palasik

(74) *Attorney, Agent, or Firm* — Corinne R. Gorski

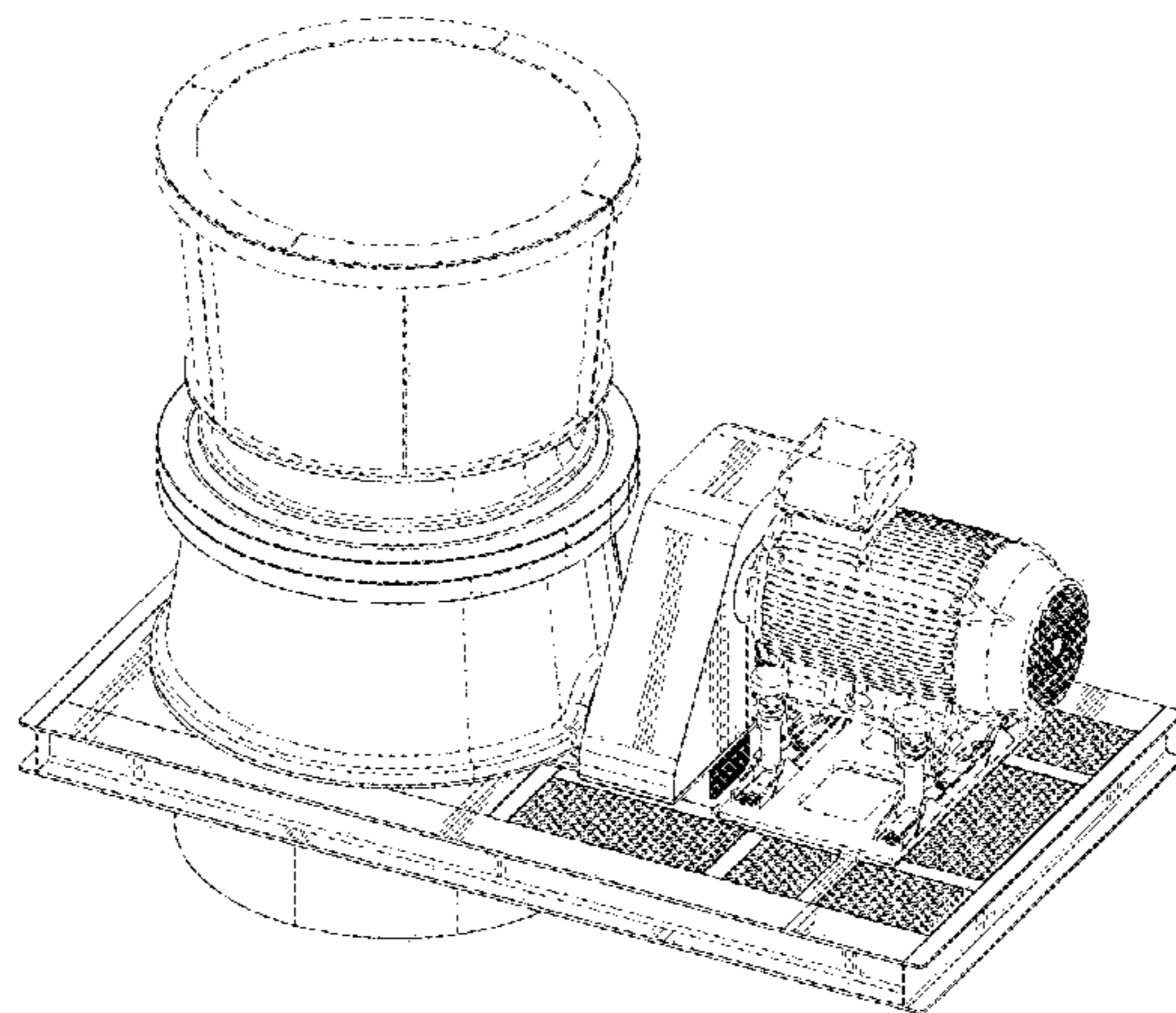
(57) **CLAIM**

The ornamental design for a gyratory crusher, as shown and described.

**DESCRIPTION**

FIG. 1 is a perspective view of a first embodiment of a gyratory crusher;  
FIG. 2 is a first side view thereof;  
FIG. 3 is a second side view thereof;  
FIG. 4 is a front view thereof;  
FIG. 5 is a rear view thereof;  
FIG. 6 is a top view thereof; and  
FIG. 7 is a perspective view of a second embodiment of a gyratory crusher;  
FIG. 8 is a first side view thereof;  
FIG. 9 is a second side view thereof;  
FIG. 10 is a front view thereof;  
FIG. 11 is a rear view thereof; and  
FIG. 12 is a top view thereof.  
The broken lines in the drawings depict unclaimed environmental subject matter.

**1 Claim, 12 Drawing Sheets**



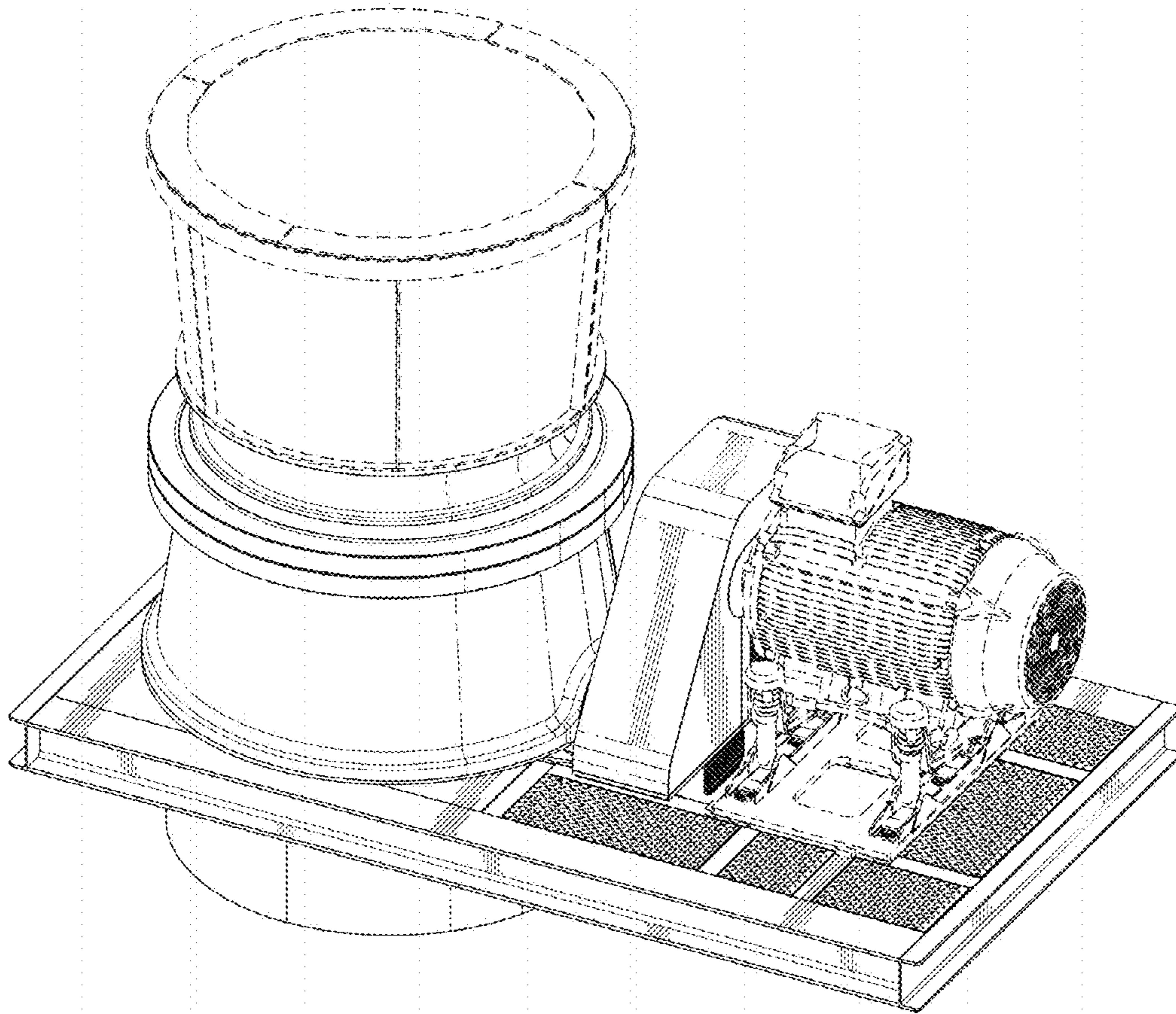


Fig. 1

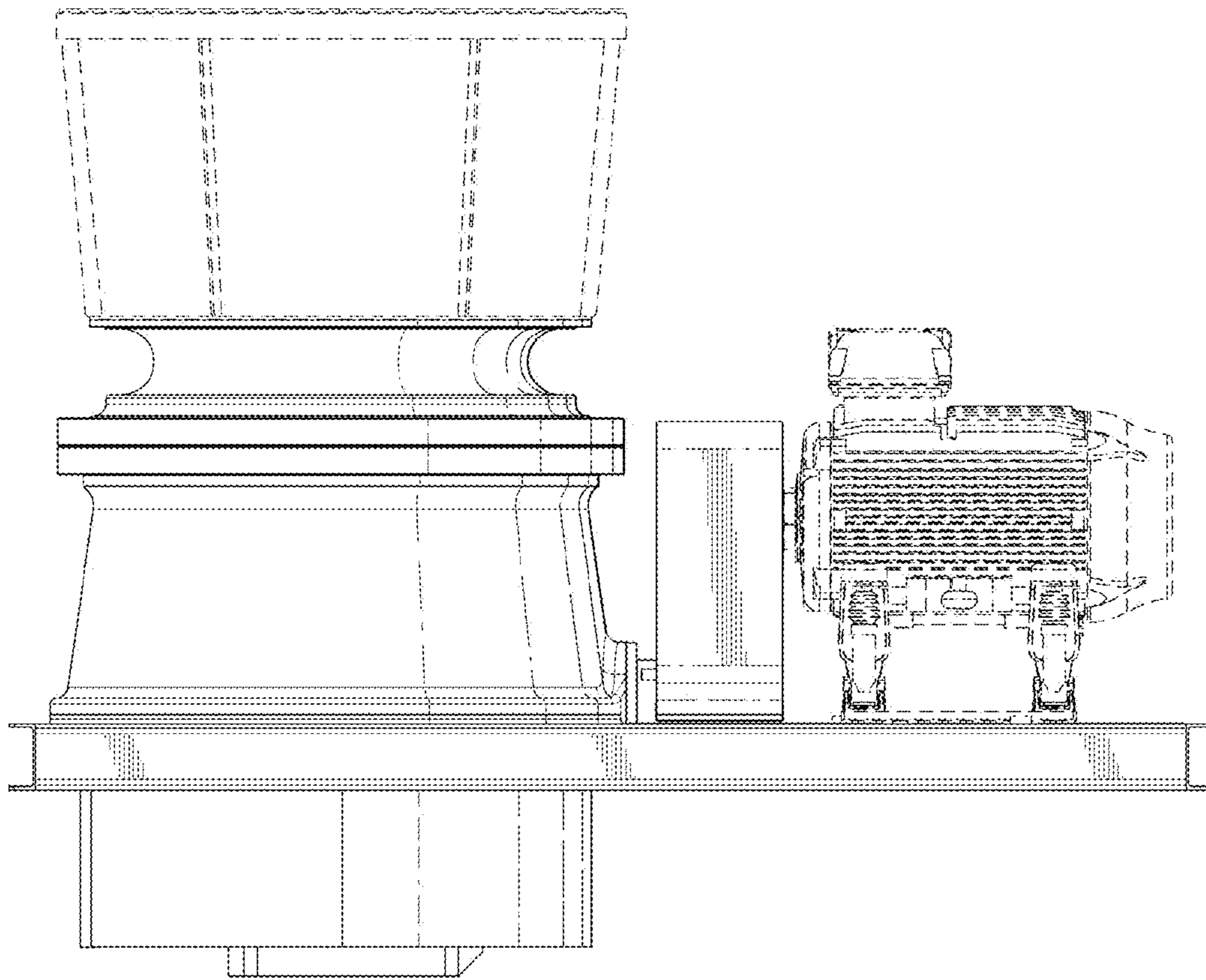


Fig. 2



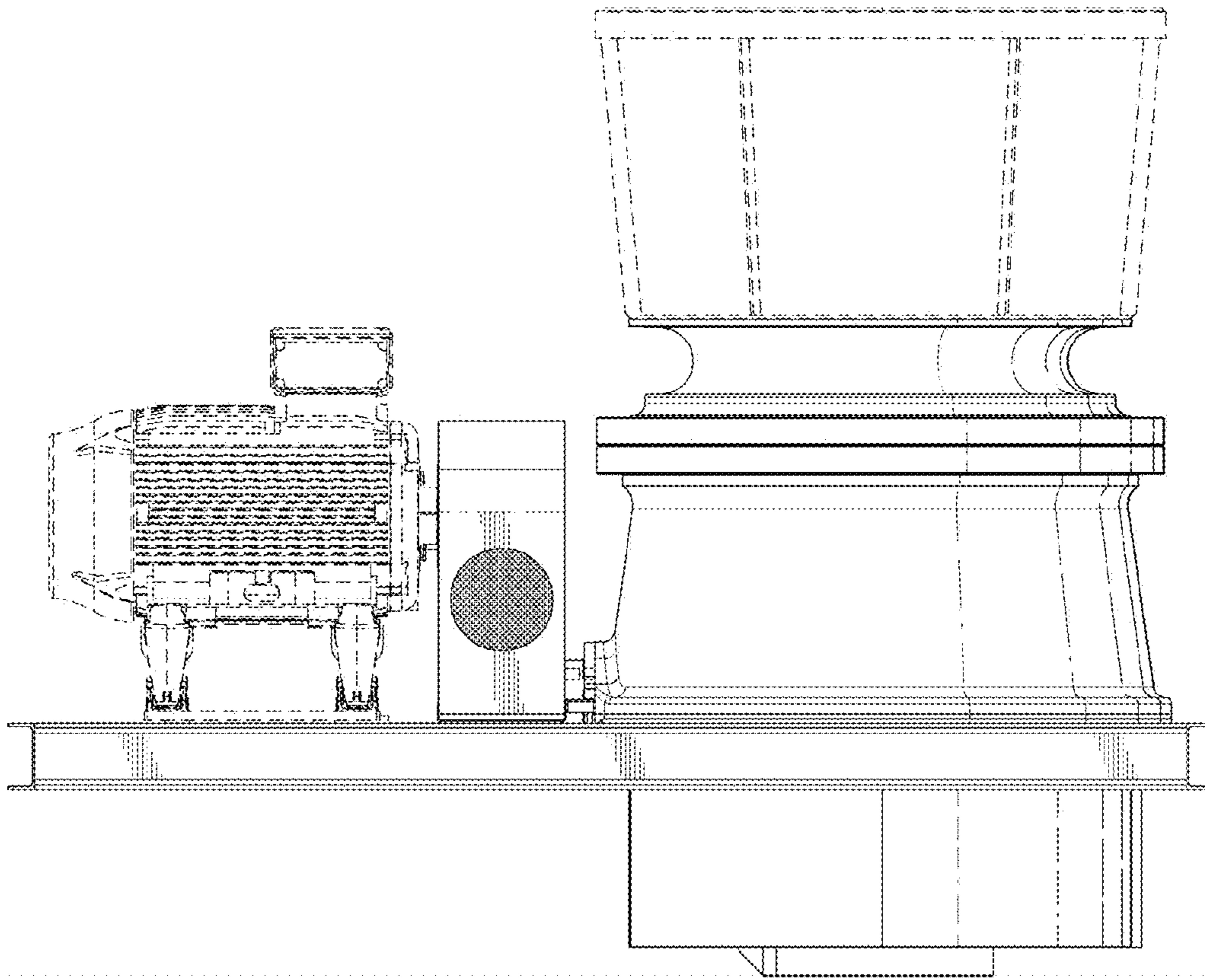


Fig. 3

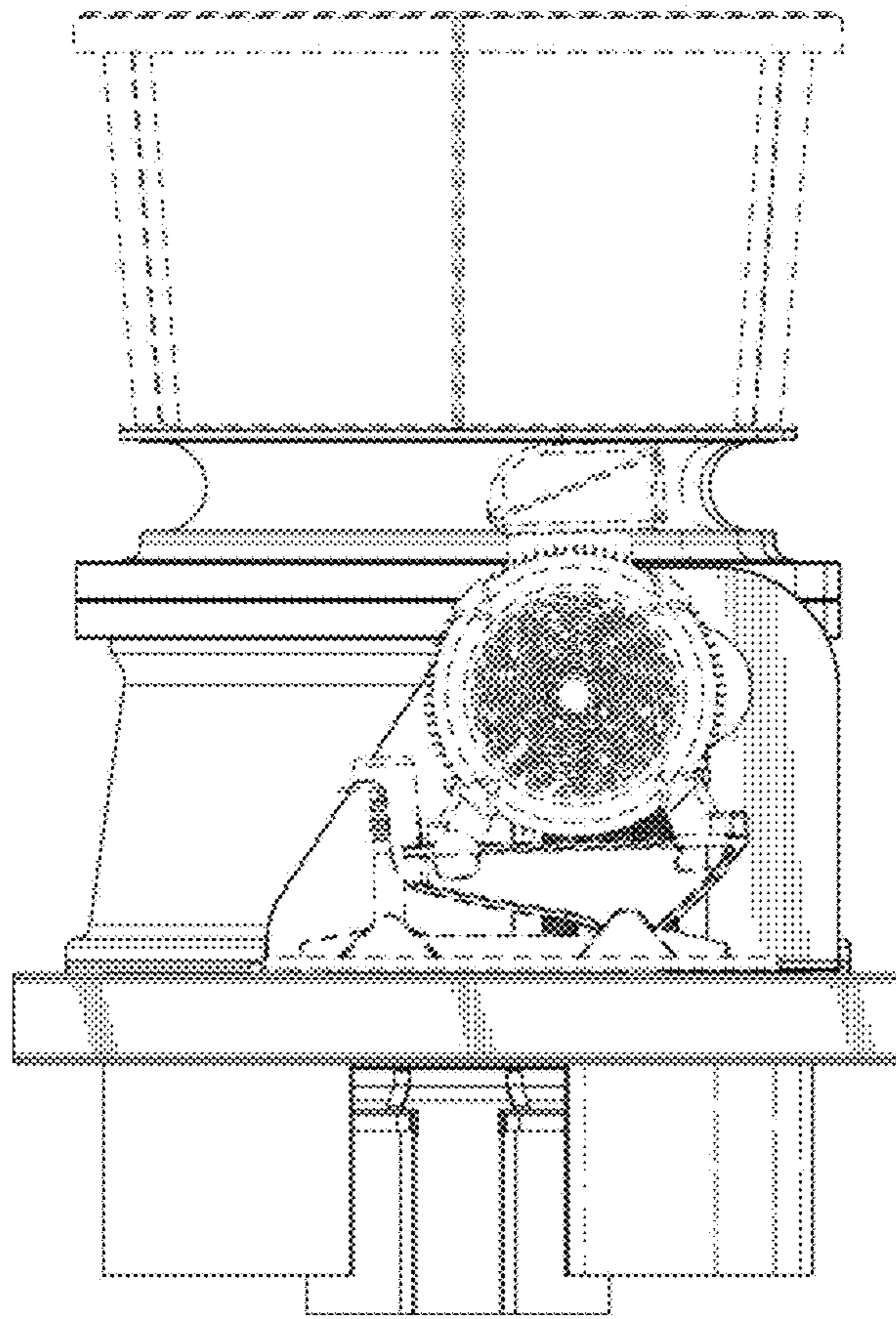


Fig. 4

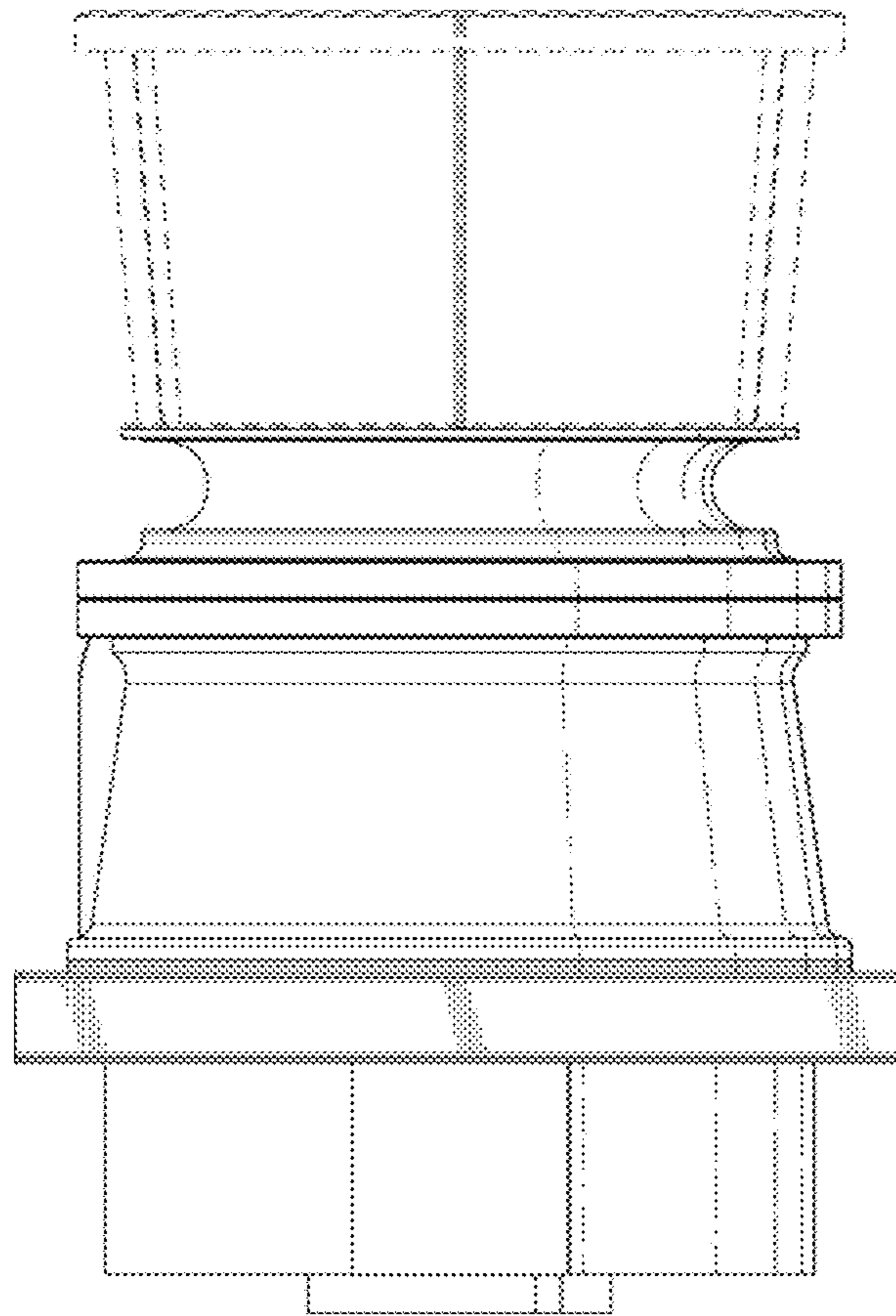


Fig. 5

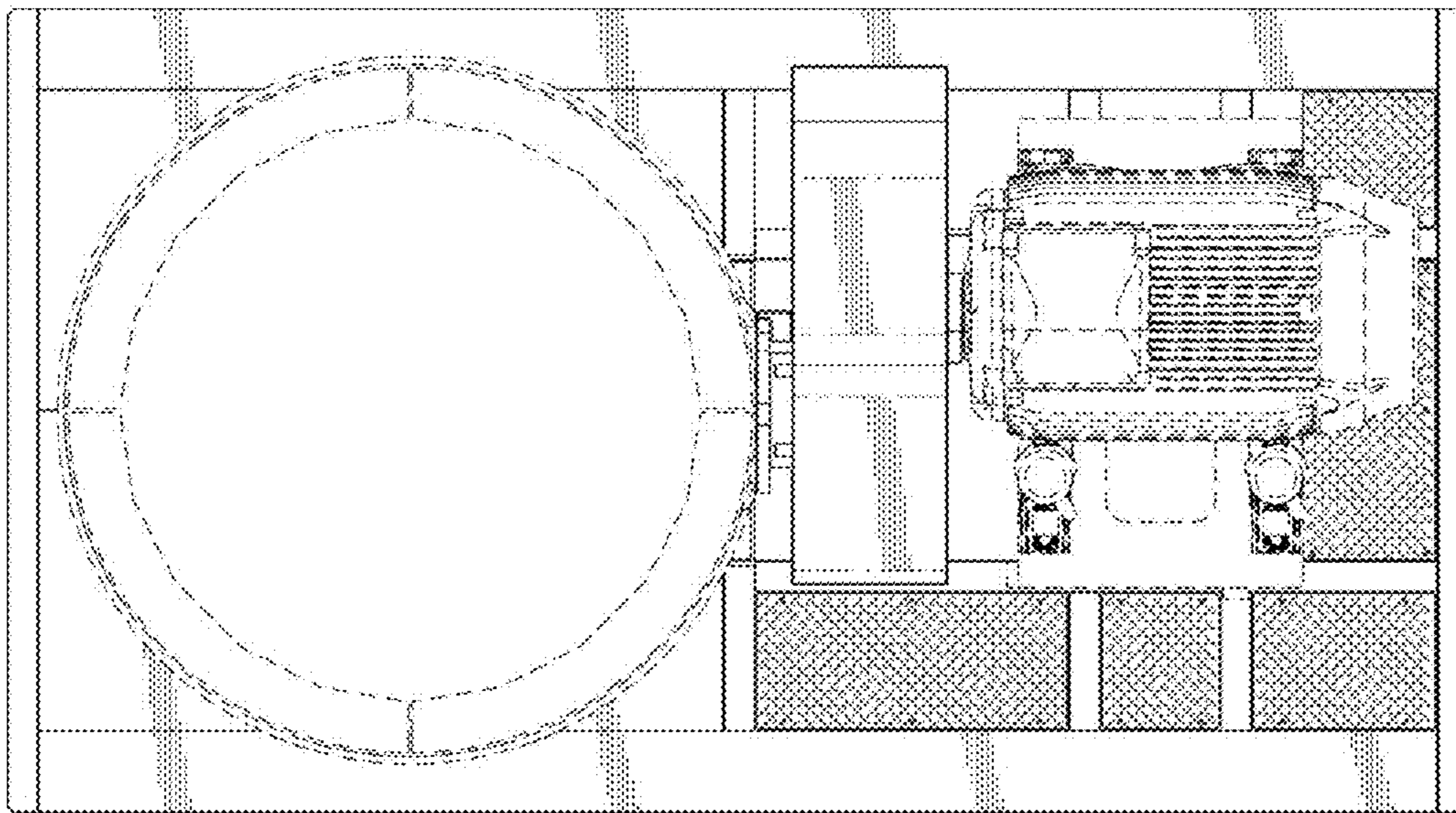


Fig. 6



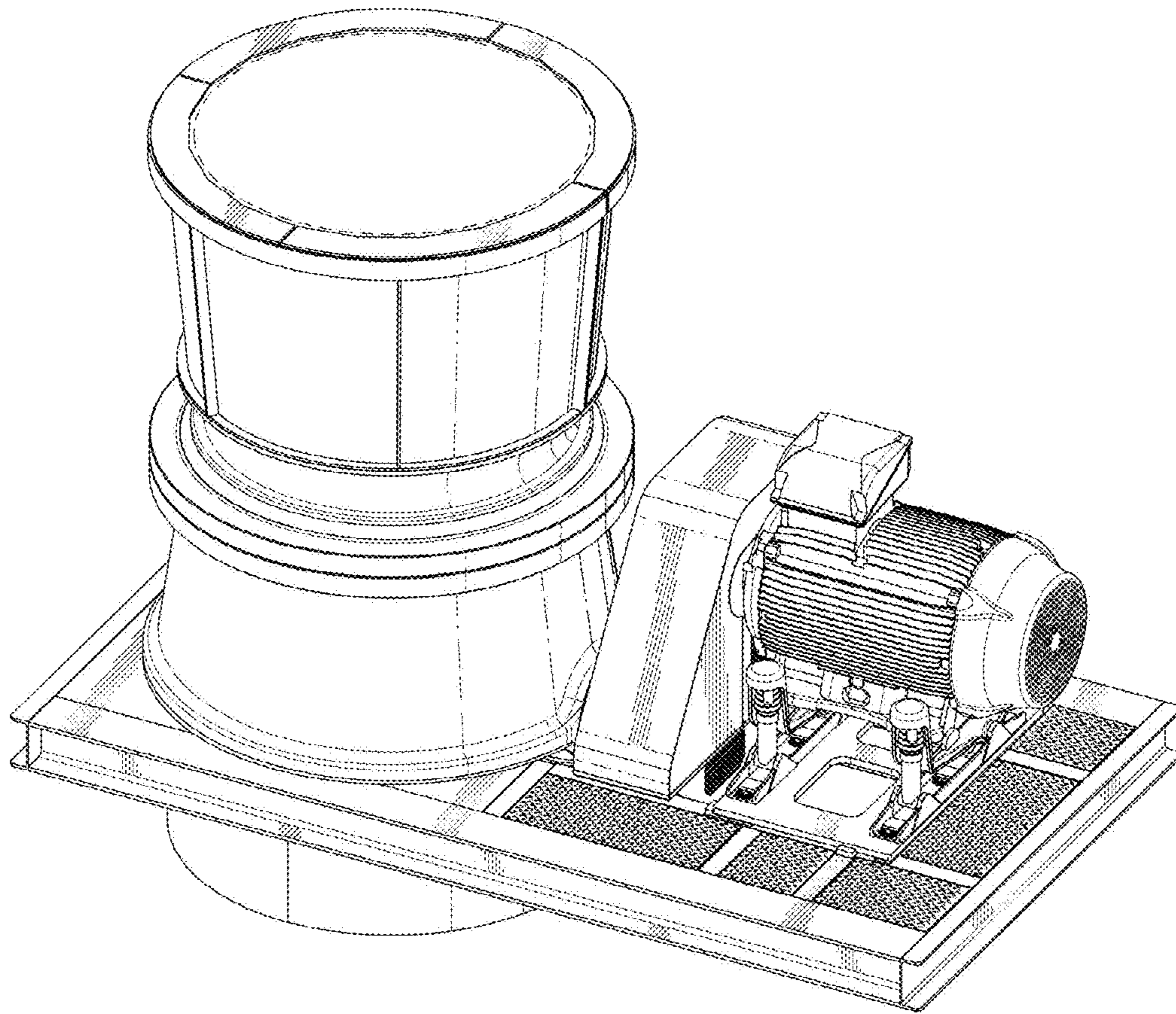


Fig. 7



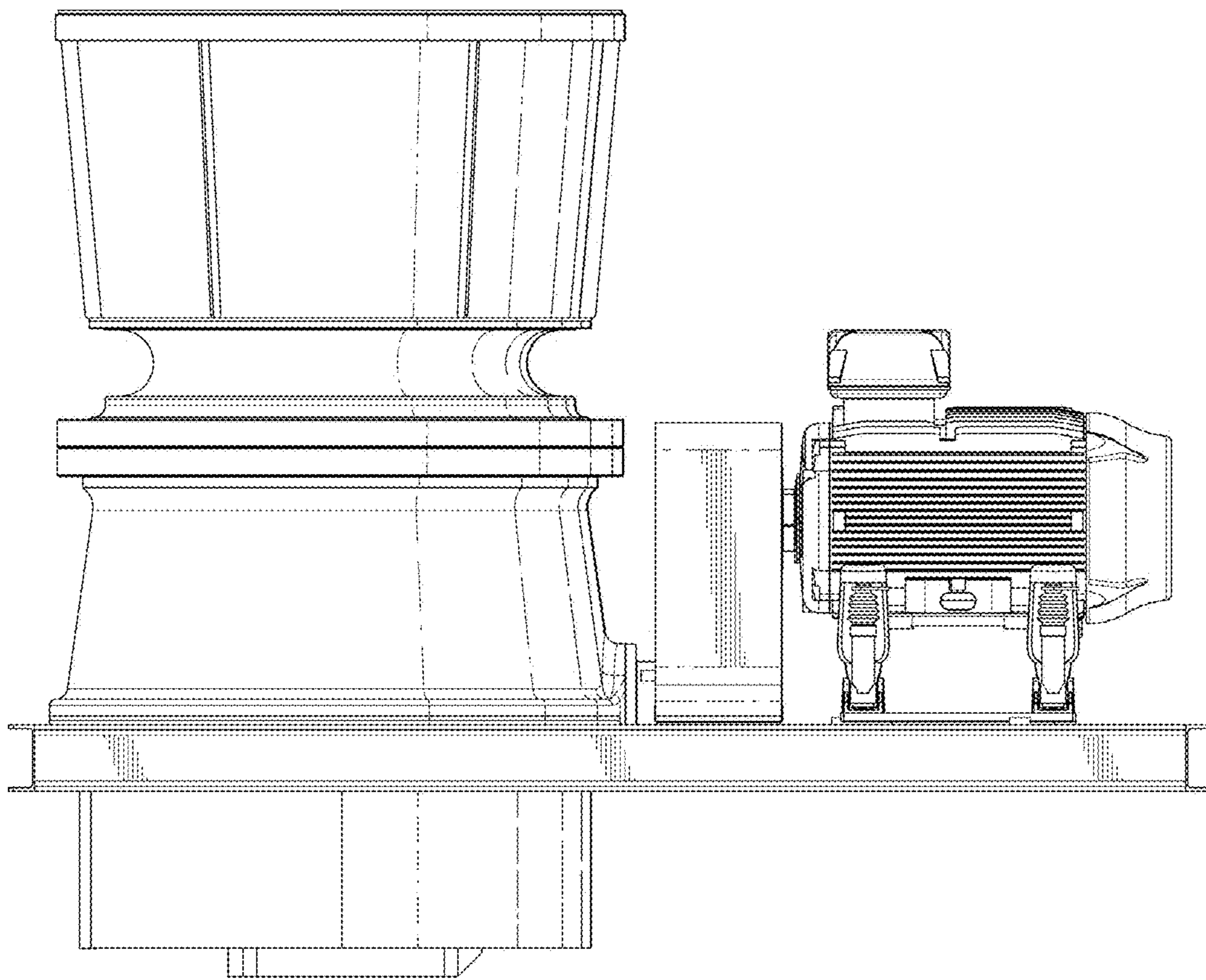


Fig. 8

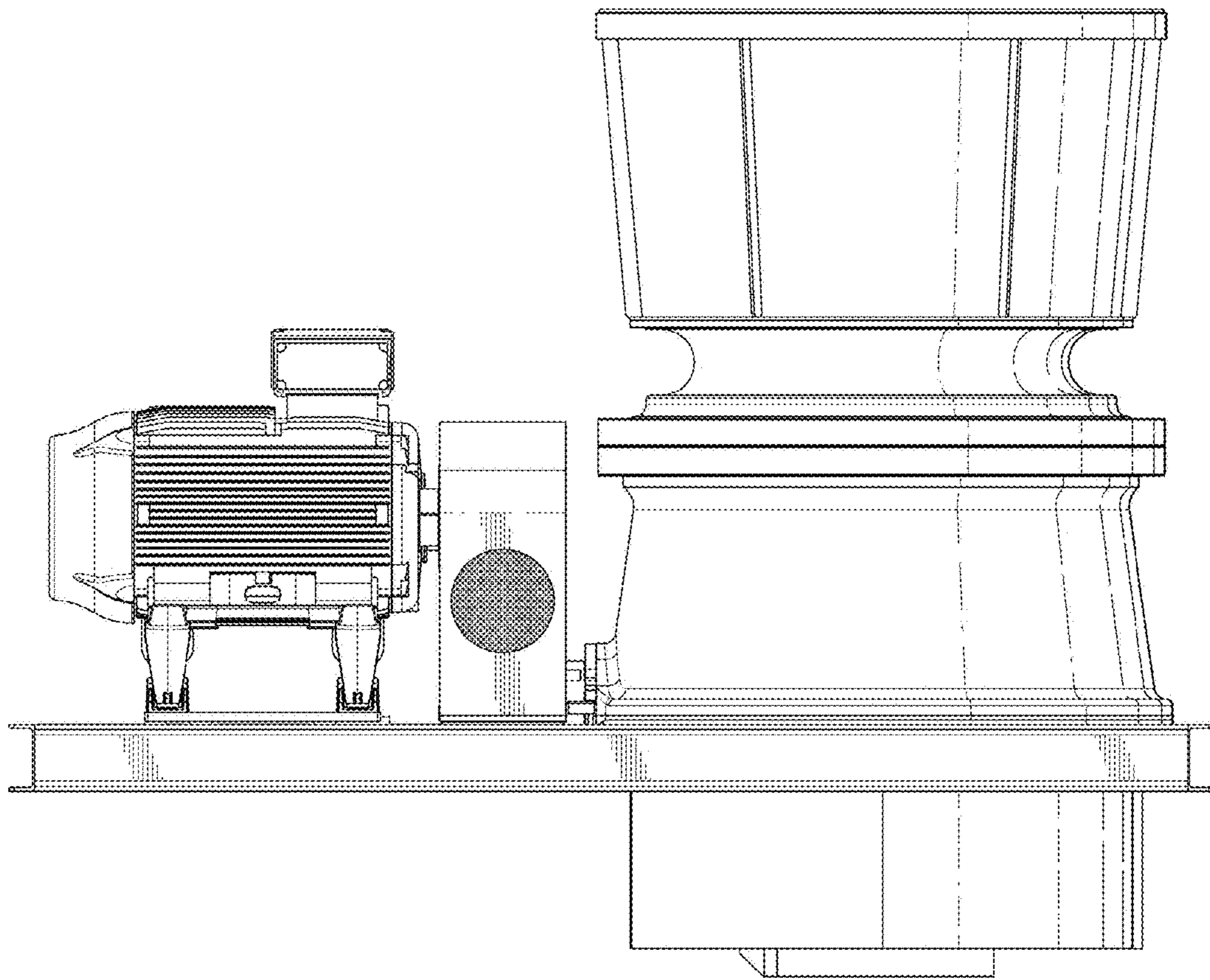


Fig. 9

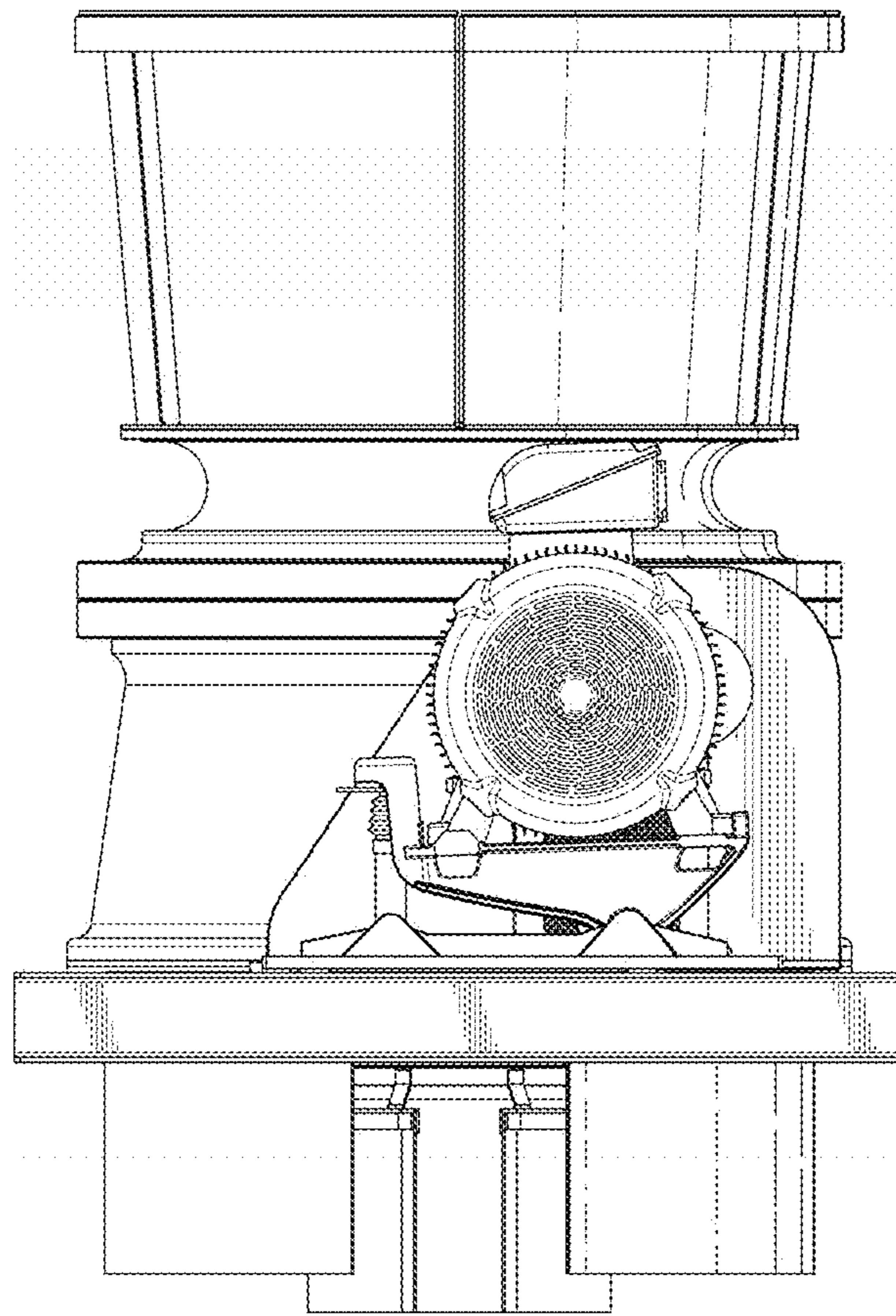


Fig. 10



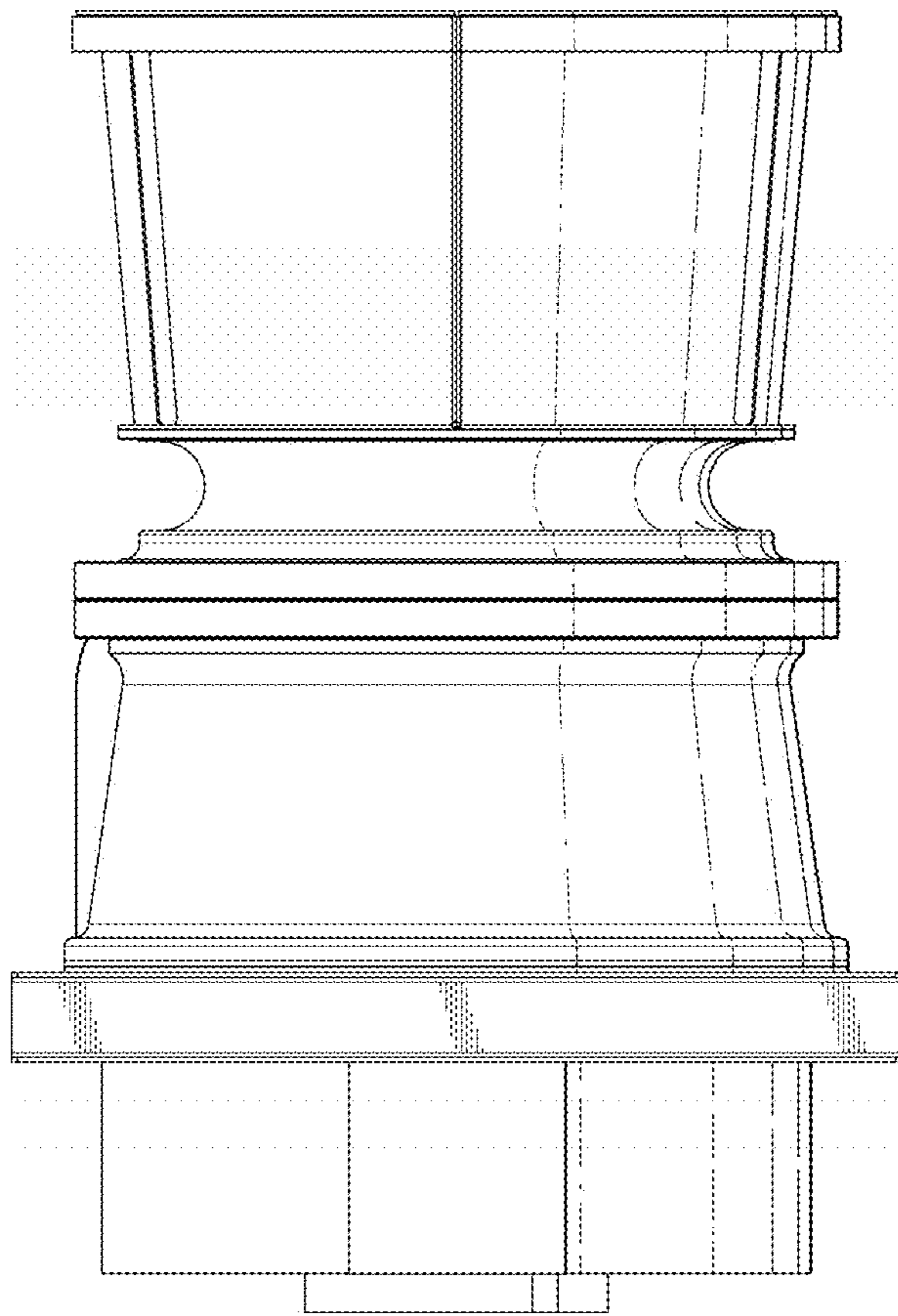


Fig. 11

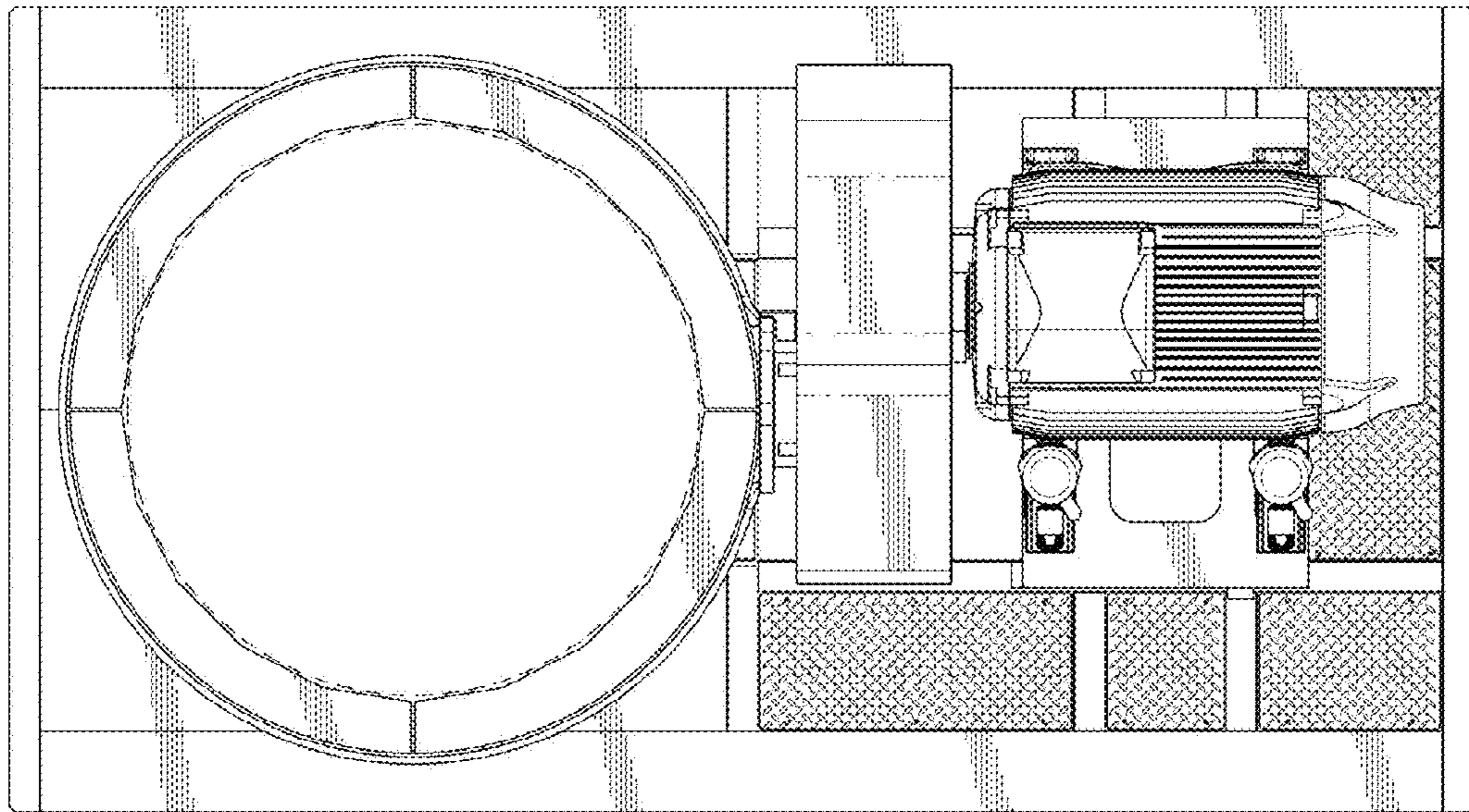


Fig. 12