



US00D757132S

(12) **United States Design Patent**
Liu et al.

(10) **Patent No.:** **US D757,132 S**
(45) **Date of Patent:** **** May 24, 2016**

(54) **3D PRINTER**

(71) Applicants: **XYZprinting, Inc.**, New Taipei (TW);
Kinpo Electronics, Inc., New Taipei
(TW); **Cal-Comp Electronics &
Communications Company Limited**,
New Taipei (TW)

(72) Inventors: **Hua Liu**, New Taipei (TW); **Chieh Kao**,
New Taipei (TW); **Li-Wei Chen**, New
Taipei (TW); **Yu-Hao Lin**, New Taipei
(TW); **Che-Wei Chang**, New Taipei
(TW)

(73) Assignees: **XYZprinting, Inc.**, New Taipei (TW);
Kinpo Electronics, Inc., New Taipei
(TW); **Cal-Comp Electronics &
Communications Company Limited**,
New Taipei (TW)

(**) Term: **14 Years**

(21) Appl. No.: **29/517,175**

(22) Filed: **Feb. 11, 2015**

(30) **Foreign Application Priority Data**

Jan. 4, 2015 (CN) 2015 3 0000877

(51) **LOC (10) Cl.** **15-09**

(52) **U.S. Cl.**
USPC **D15/122; D15/135**

(58) **Field of Classification Search**
USPC D14/301, 303; D15/122, 135;
D18/36-39, 46-49, 50, 53, 55, 56, 59
See application file for complete search history.

(56) **References Cited**

U.S. PATENT DOCUMENTS

D325,927 S * 5/1992 Fushiya D18/54
D336,478 S * 6/1993 Balbas D15/123
D362,673 S * 9/1995 Yamamoto D18/19
D363,734 S * 10/1995 Bianco D18/50

D420,371 S * 2/2000 Strong D15/135
D431,596 S * 10/2000 Berger 14/2
D432,160 S * 10/2000 Kabumoto D18/37
D441,013 S * 4/2001 Kotaki 347/86
D450,757 S * 11/2001 Okamura D18/55
D460,107 S * 7/2002 Nanjo 347/86
D462,382 S * 9/2002 Nanjo 347/86
D464,081 S * 10/2002 Nanjo 347/86
D467,267 S * 12/2002 Nanjo 347/86
D530,736 S * 10/2006 Beckstrom D18/50
D598,906 S * 8/2009 Chiba D14/240
D602,019 S * 10/2009 Wang D14/356
D604,343 S * 11/2009 Murakami D15/123
D611,531 S * 3/2010 Hatasa D18/56
7,686,995 B2 * 3/2010 Davidson B29C 41/12
264/113
7,819,055 B2 * 10/2010 Tezuka B41J 3/4073
101/35
8,252,223 B2 * 8/2012 Medina B29C 67/0059
264/308
D674,436 S * 1/2013 Takada D18/56

(Continued)

Primary Examiner — Patricia Palasik
(74) *Attorney, Agent, or Firm* — Jianq Chyun IP Office

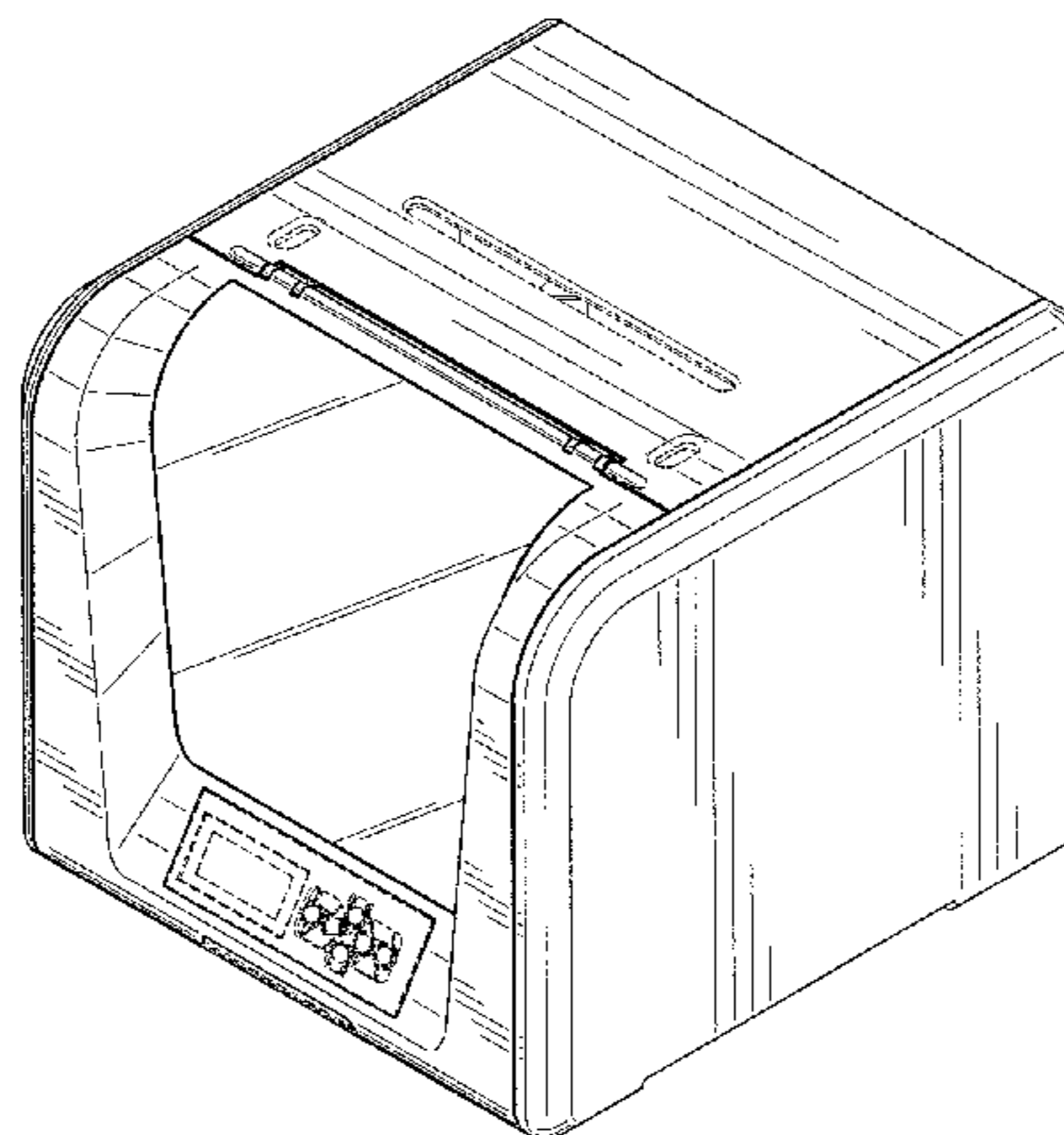
(57) **CLAIM**

The ornamental design for a 3D printer, as shown and described.

DESCRIPTION

FIG. 1 is a perspective view of a 3D printer showing our new design;
FIG. 2 is another perspective view thereof;
FIG. 3 is a front view thereof;
FIG. 4 is a rear view thereof;
FIG. 5 is a left side view thereof;
FIG. 6 is a right side view thereof;
FIG. 7 is a top view thereof;
FIG. 8 is a bottom view thereof; and,
FIG. 9 is a reference perspective view showing a lid-opened state thereof.
The broken lines in the drawings depict unclaimed environmental subject matter.

1 Claim, 9 Drawing Sheets



(56)

References Cited

U.S. PATENT DOCUMENTS

D677,723 S * 3/2013 Buel D18/59
D711,463 S * 8/2014 Costabeber D14/300
D722,108 S * 2/2015 Reches D18/50
8,960,873 B2 * 2/2015 Hara B41J 2/175
347/86

D729,309 S * 5/2015 Jun D18/50
D732,586 S * 6/2015 Chen D15/122
D732,587 S * 6/2015 Hsu D15/122
D732,588 S * 6/2015 Lin D15/122
D736,838 S * 8/2015 Costabeber D15/122
2014/0043630 A1 * 2/2014 Buser H04N 13/02
358/1.13

* cited by examiner

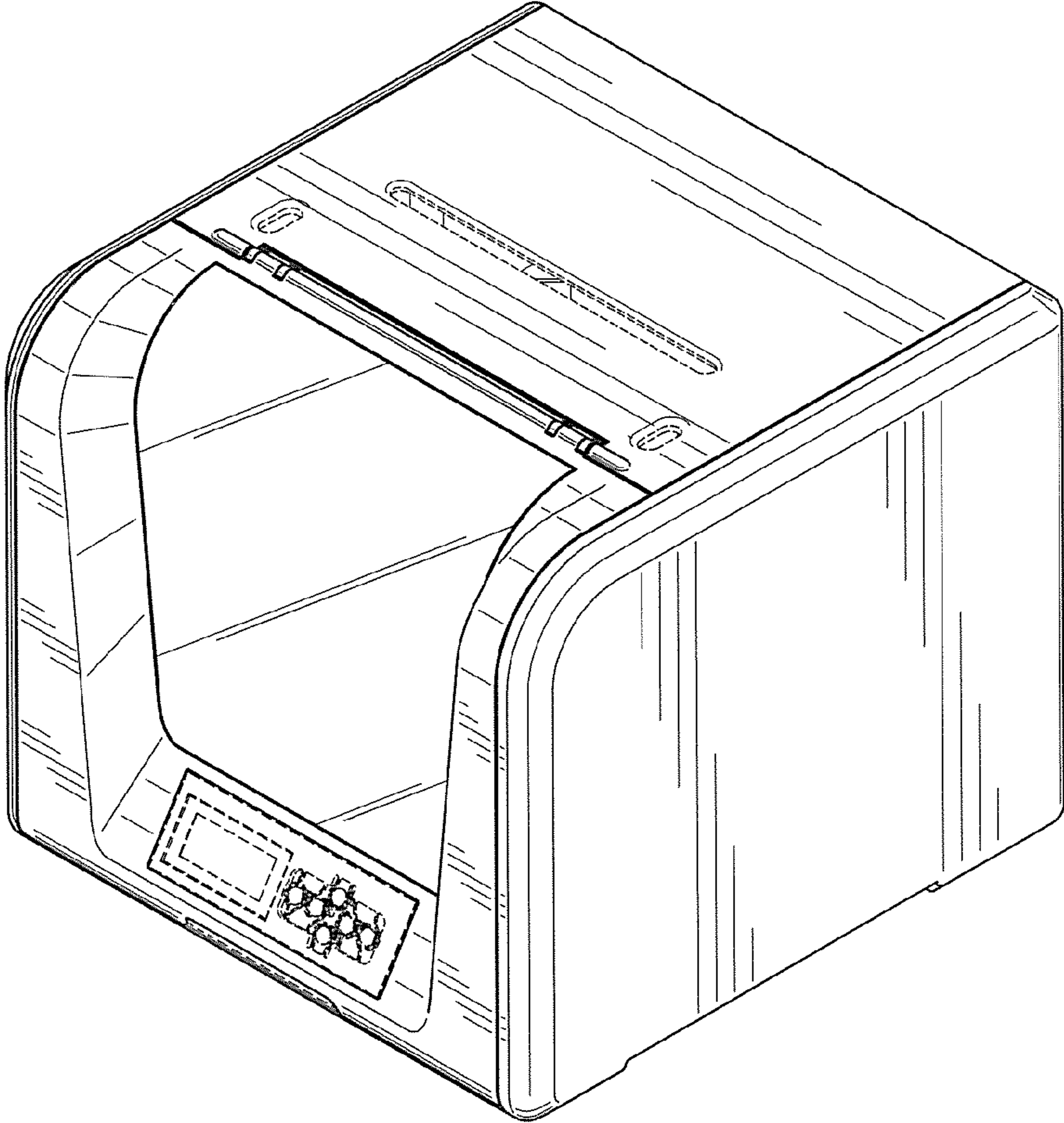


FIG. 1

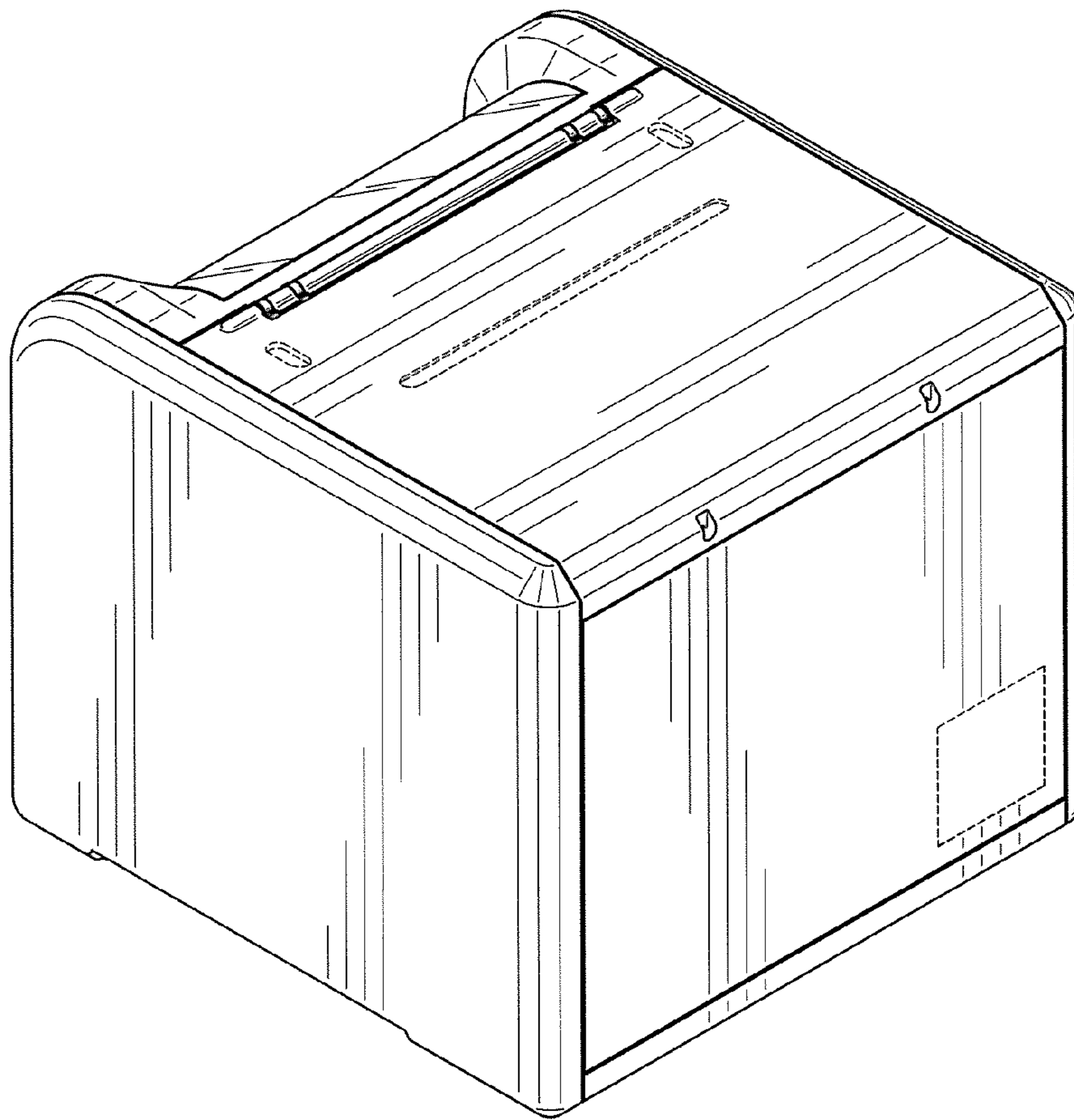


FIG. 2

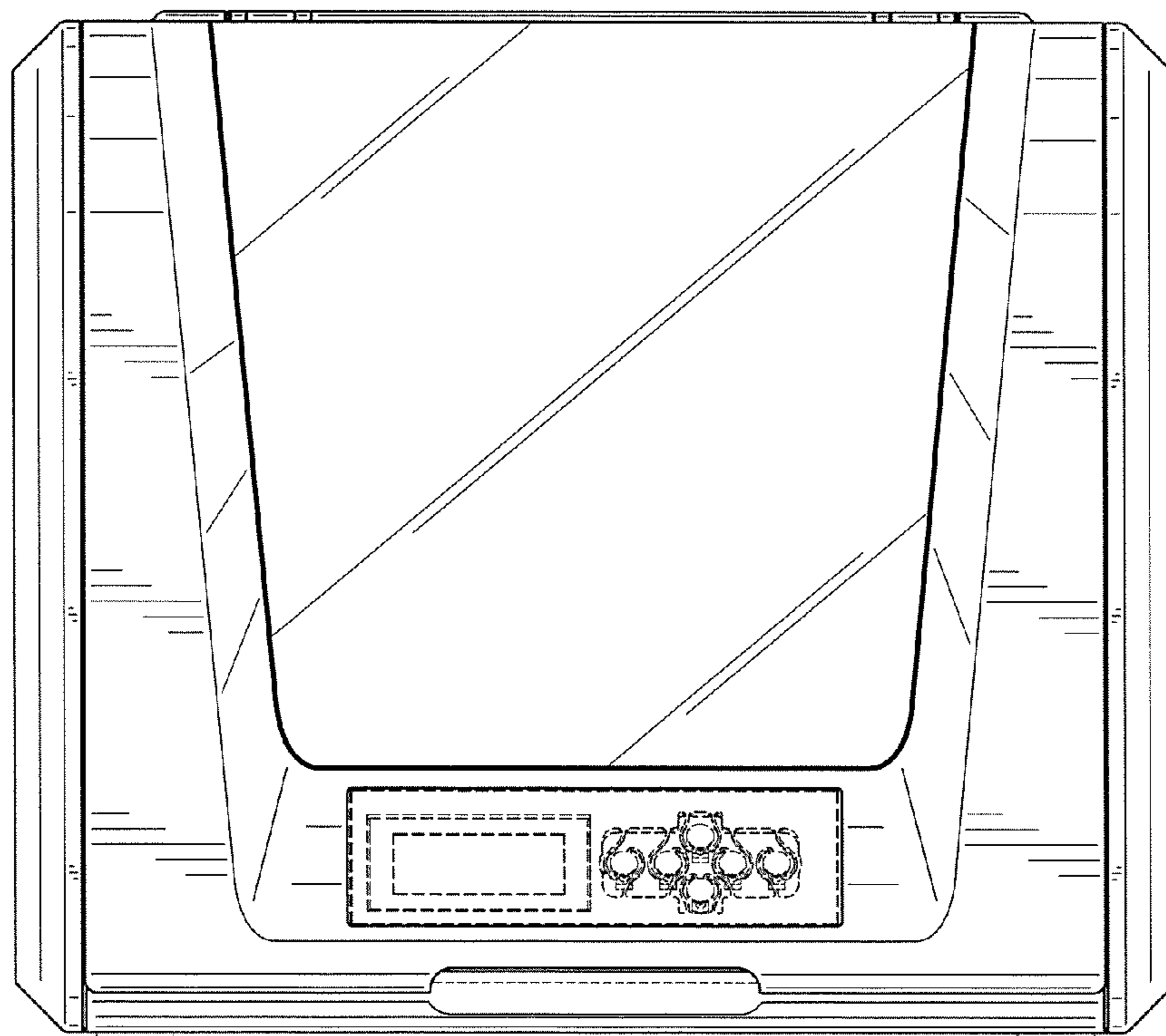


FIG. 3

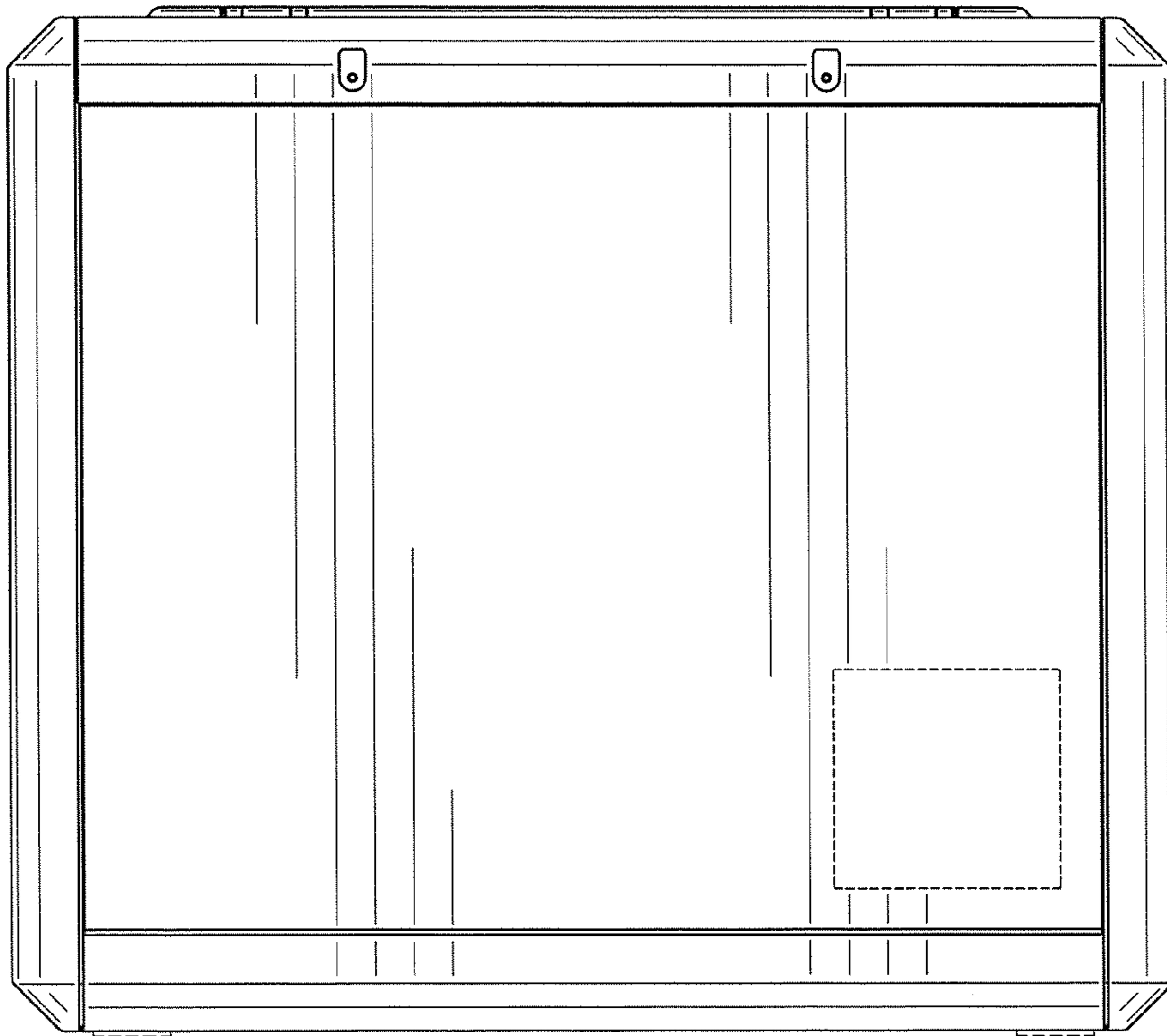


FIG. 4

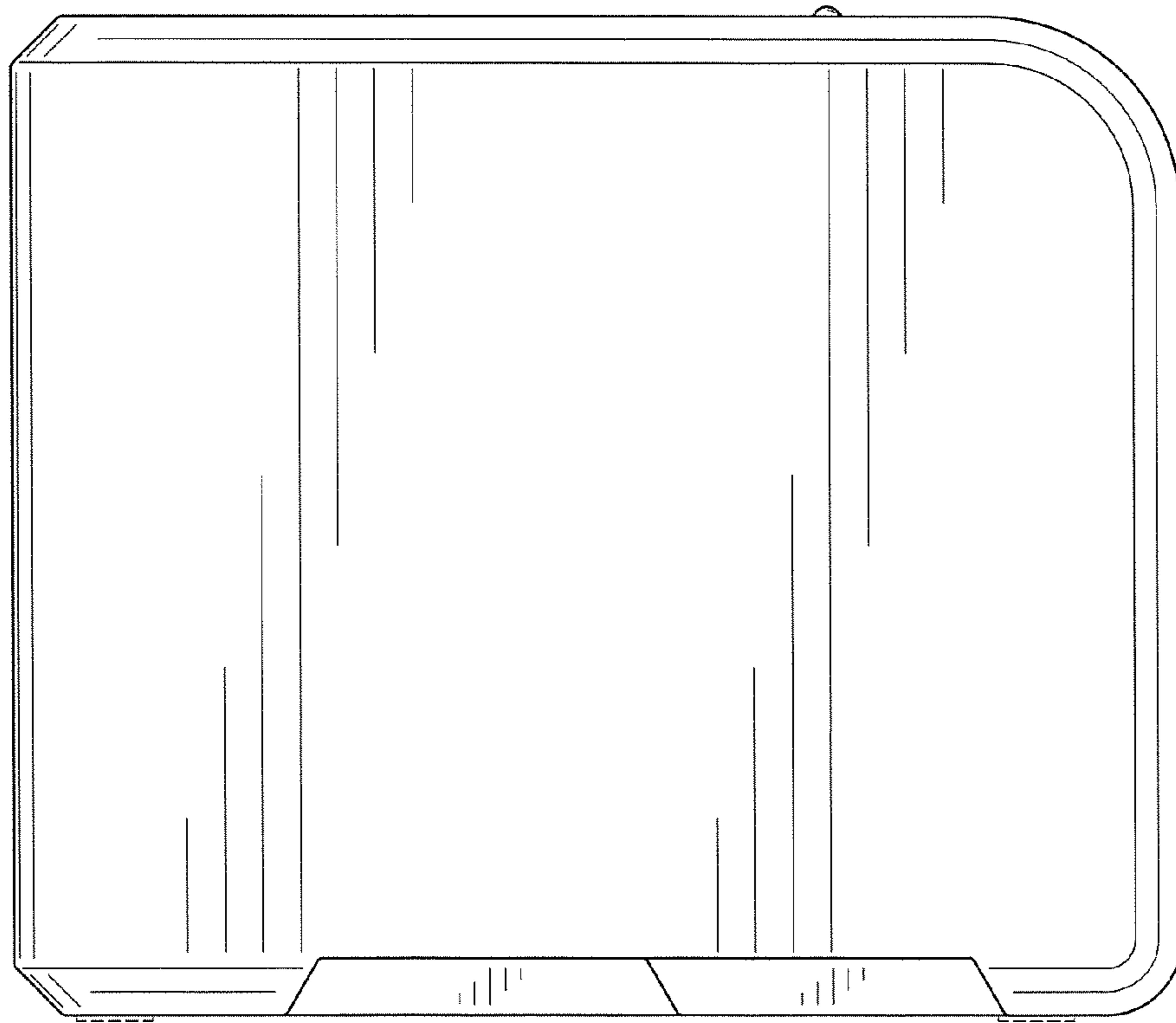


FIG. 5

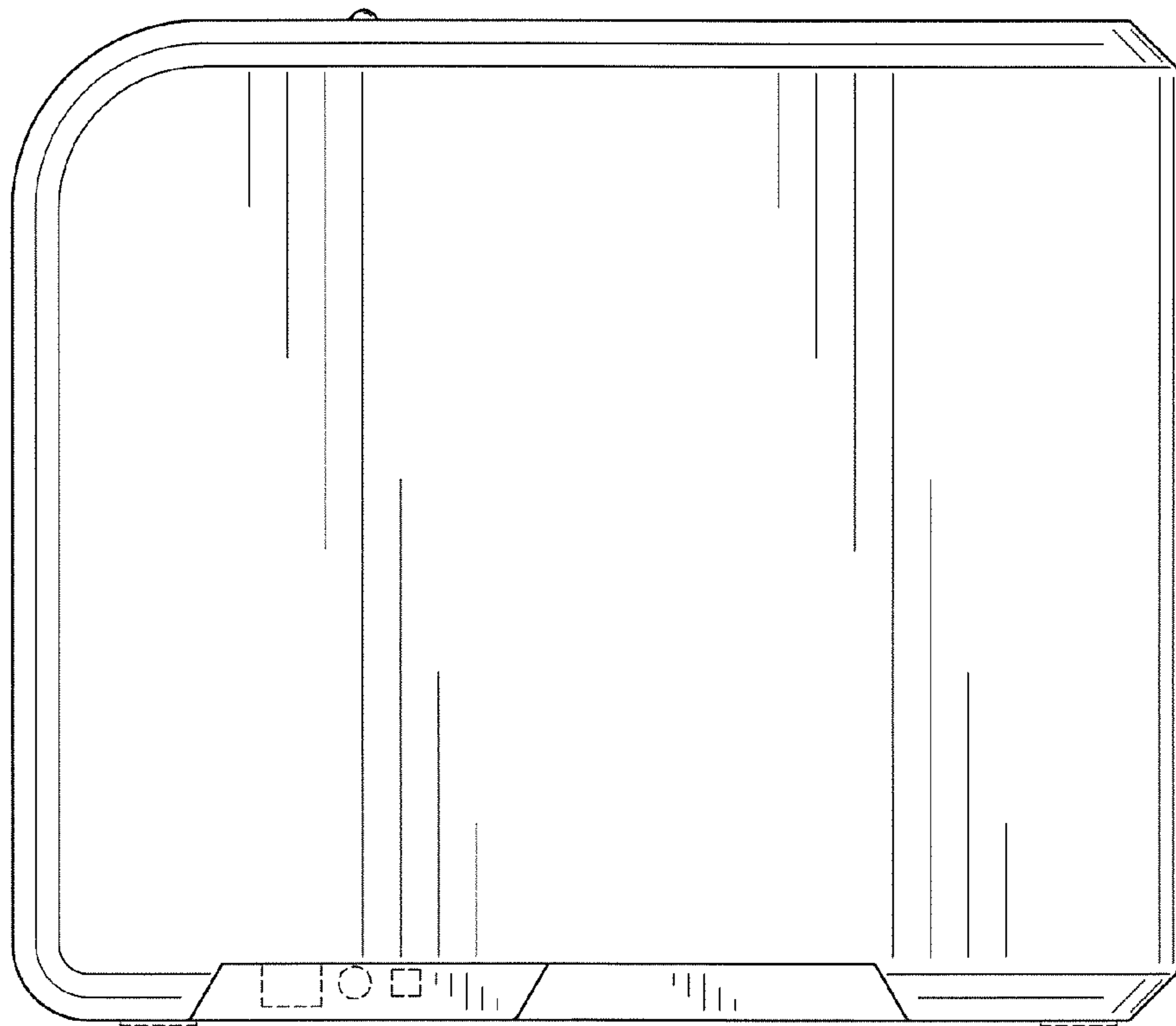


FIG. 6

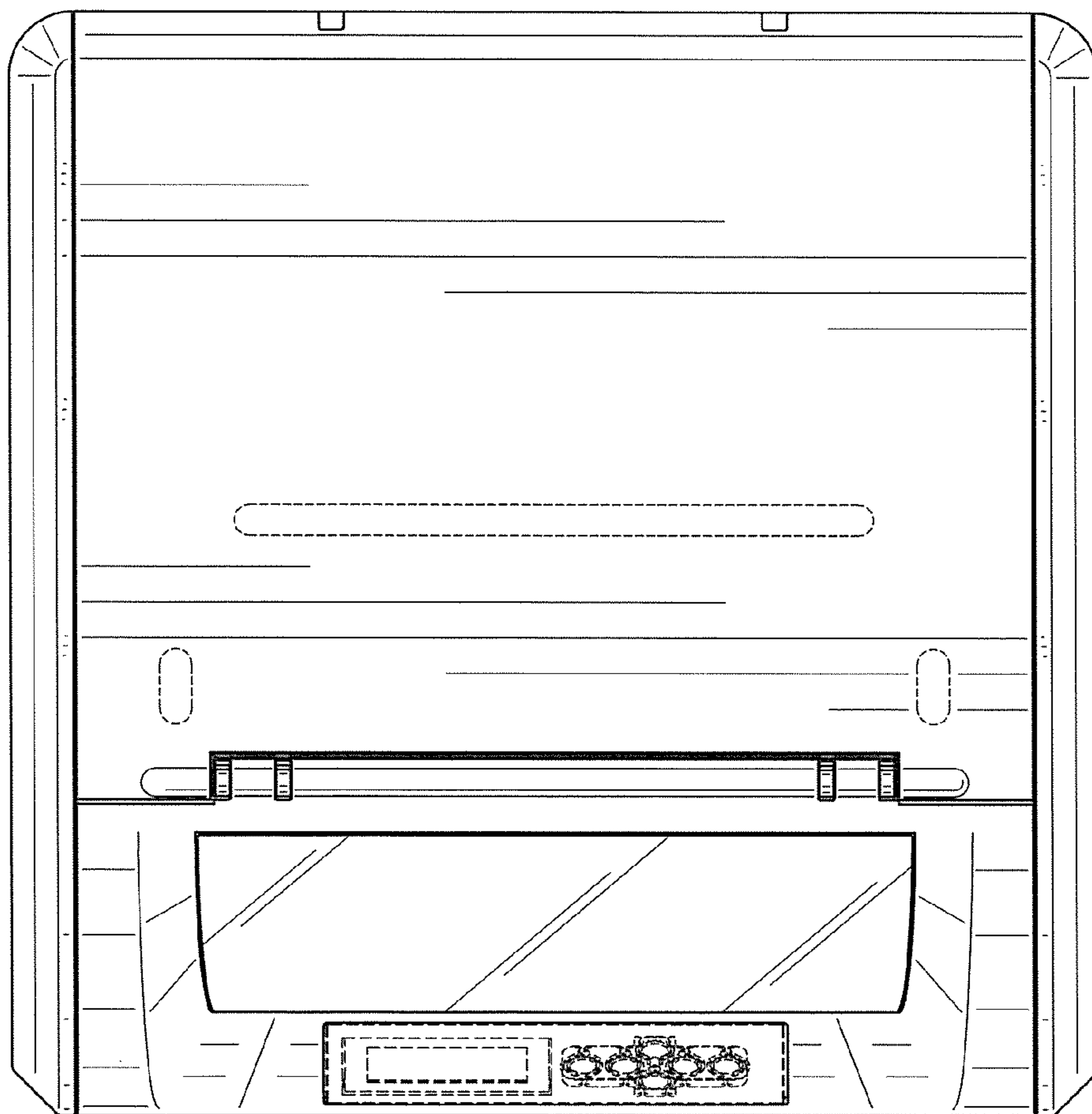


FIG. 7

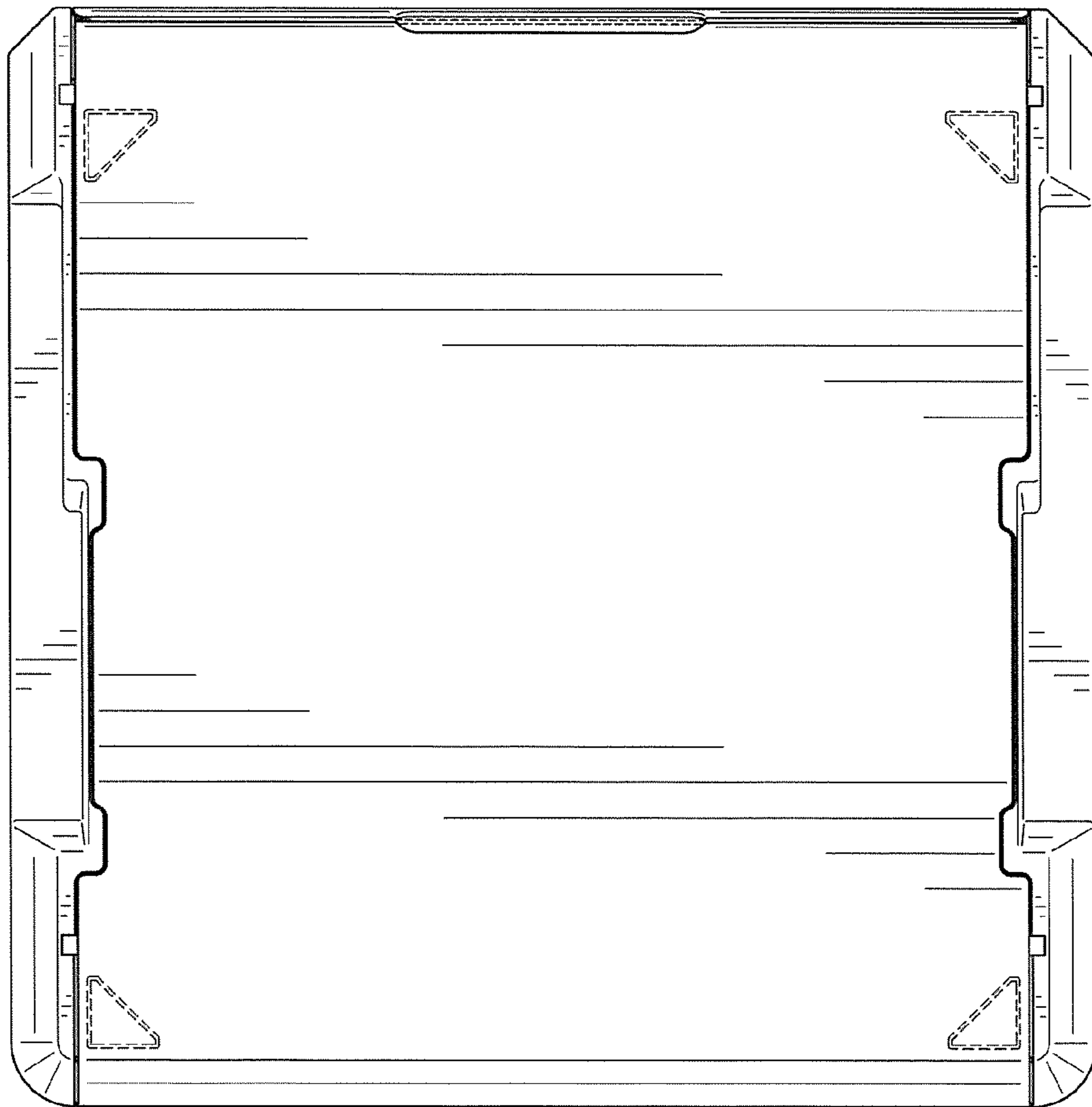


FIG. 8

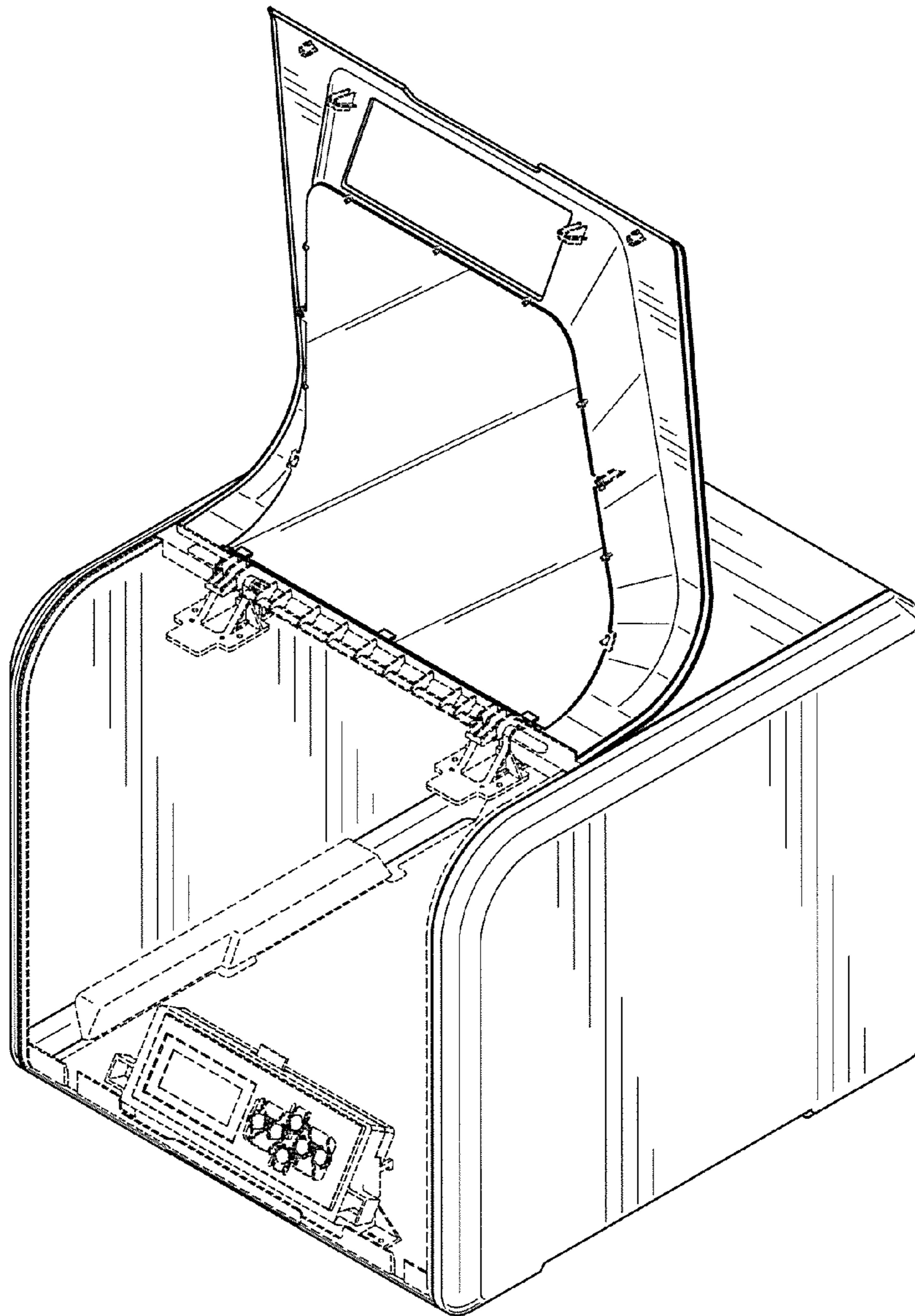


FIG. 9