



US00D757130S

(12) **United States Design Patent**  
**Frank et al.**

(10) **Patent No.:** **US D757,130 S**  
(45) **Date of Patent:** **\*\* May 24, 2016**

(54) **ICE TRAY**

(71) Applicant: **ICI USA, LLC**, Seattle, WA (US)

(72) Inventors: **Matthew Frank**, Seattle, WA (US); **Jan Pawluskiewicz**, Seattle, WA (US)

(73) Assignee: **ICI USA, LLC**, Seattle, WA (US)

(\*\*) Term: **14 Years**

(21) Appl. No.: **29/515,709**

(22) Filed: **Jan. 26, 2015**

(51) **LOC (10) Cl.** ..... **15-07**

(52) **U.S. Cl.**  
USPC ..... **D15/90**

(58) **Field of Classification Search**  
USPC ..... D15/79, 80, 82, 89, 90; D3/200–201,  
D3/203.1, 203.2, 203.3, 205–206,  
D3/304–315; D6/672, 675  
CPC ..... F25B 21/02; F25B 2321/02; F25B 1/005;  
F25B 2321/0252; F25B 1/00; F25B 1/10;  
F25B 21/04; F25B 2339/047; F25B 5/02;  
F25B 7/00; F25B 13/00; F25B 1/053; F25B  
2309/06; F25B 2321/021; F25B 2321/023;  
F25D 23/028; F25D 23/02; F25D 25/025;  
F25D 23/00; F25D 2323/021; F25D 11/00;  
F25D 2323/024; F25D 23/04; F25D 29/00;  
F25D 25/02; F25D 25/024; F25D 27/005;  
F25D 23/12; F25D 29/005; F25D 17/042;  
F25D 2325/021

See application file for complete search history.

(56) **References Cited**

U.S. PATENT DOCUMENTS

D560,695	S	*	1/2008	Marchionda	.....	D15/90
D665,000	S	*	8/2012	Morelli	.....	D15/90
D673,190	S	*	12/2012	Klemm	.....	D15/90
D676,470	S	*	2/2013	Norin	.....	D15/90

\* cited by examiner

*Primary Examiner* — Daniel Bui

*Assistant Examiner* — Khawaja Anwar

(74) *Attorney, Agent, or Firm* — Cloutier Global IP

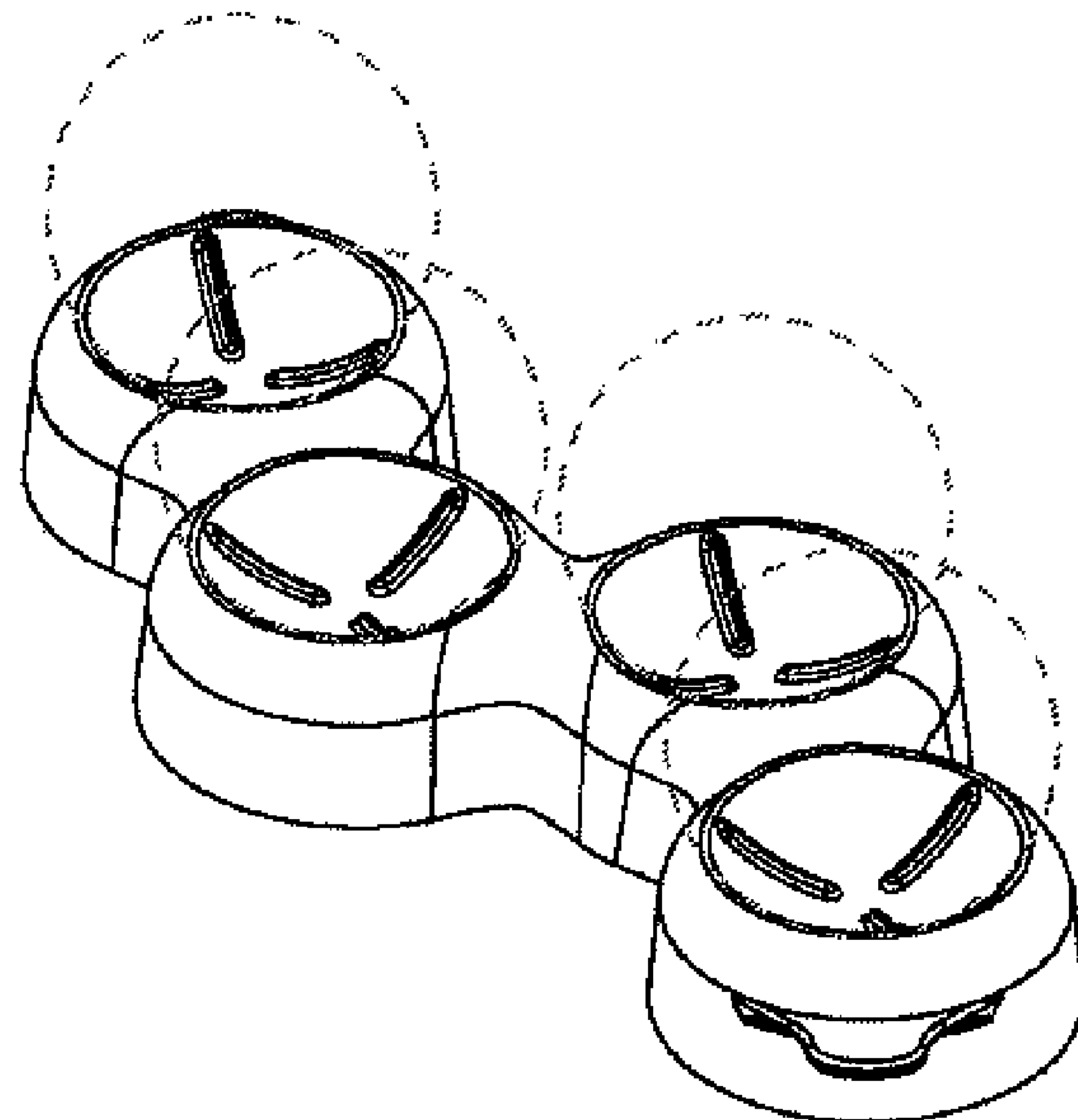
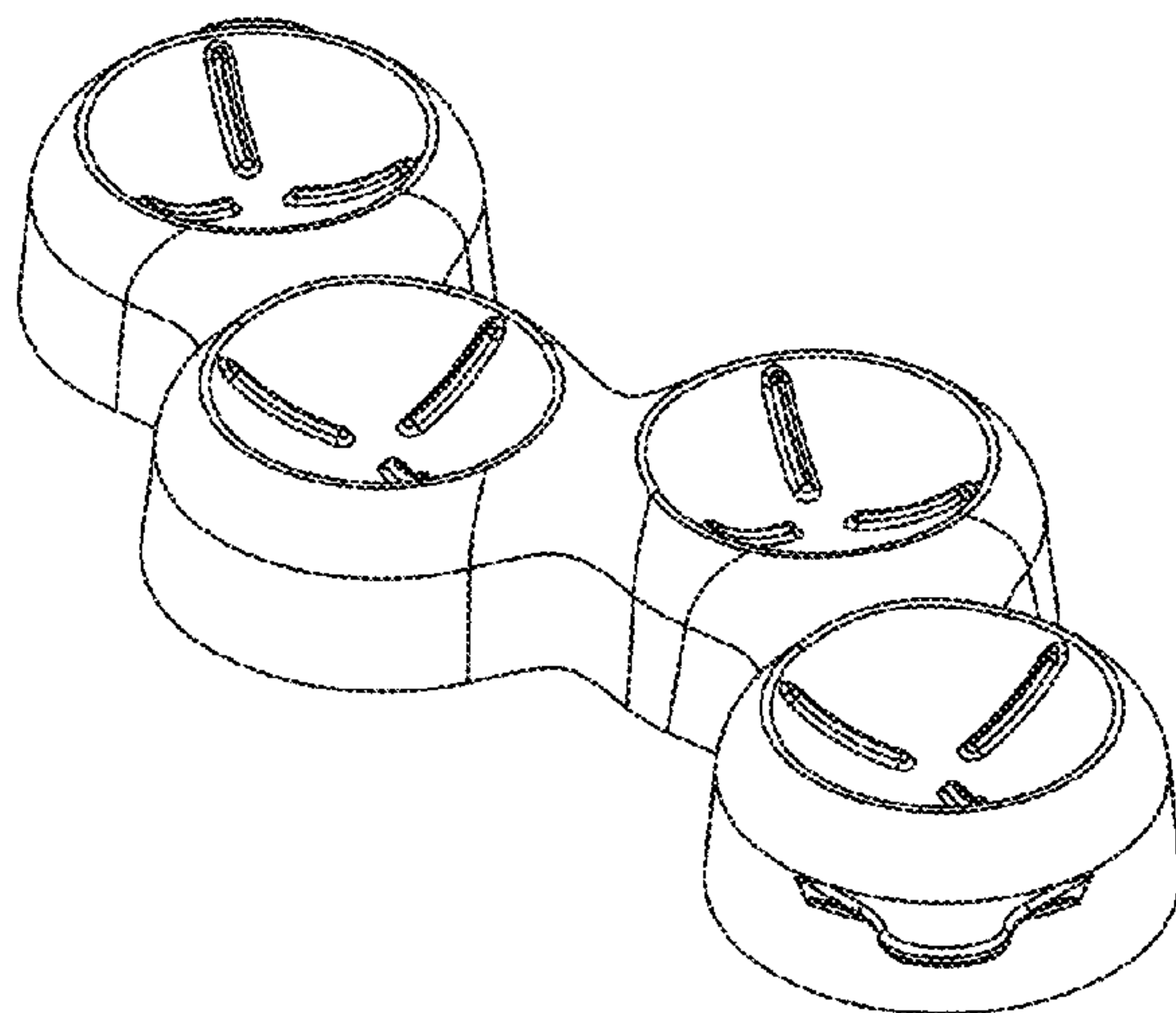
(57) **CLAIM**

The ornamental design for an ice tray, as shown and described.

**DESCRIPTION**

FIG. 1 is a perspective view of an ice tray, showing our new design;  
FIG. 2 is a top plan view thereof;  
FIG. 3 is an end elevation view thereof;  
FIG. 4 is a side elevation view thereof;  
FIG. 5 is a bottom plan view thereof;  
FIG. 6 is bottom perspective view thereof; and,  
FIG. 7 is another perspective view thereof, in use condition.  
The broken line in the figure drawings represents unclaimed environment only and forms no part of the claimed design.

**1 Claim, 7 Drawing Sheets**



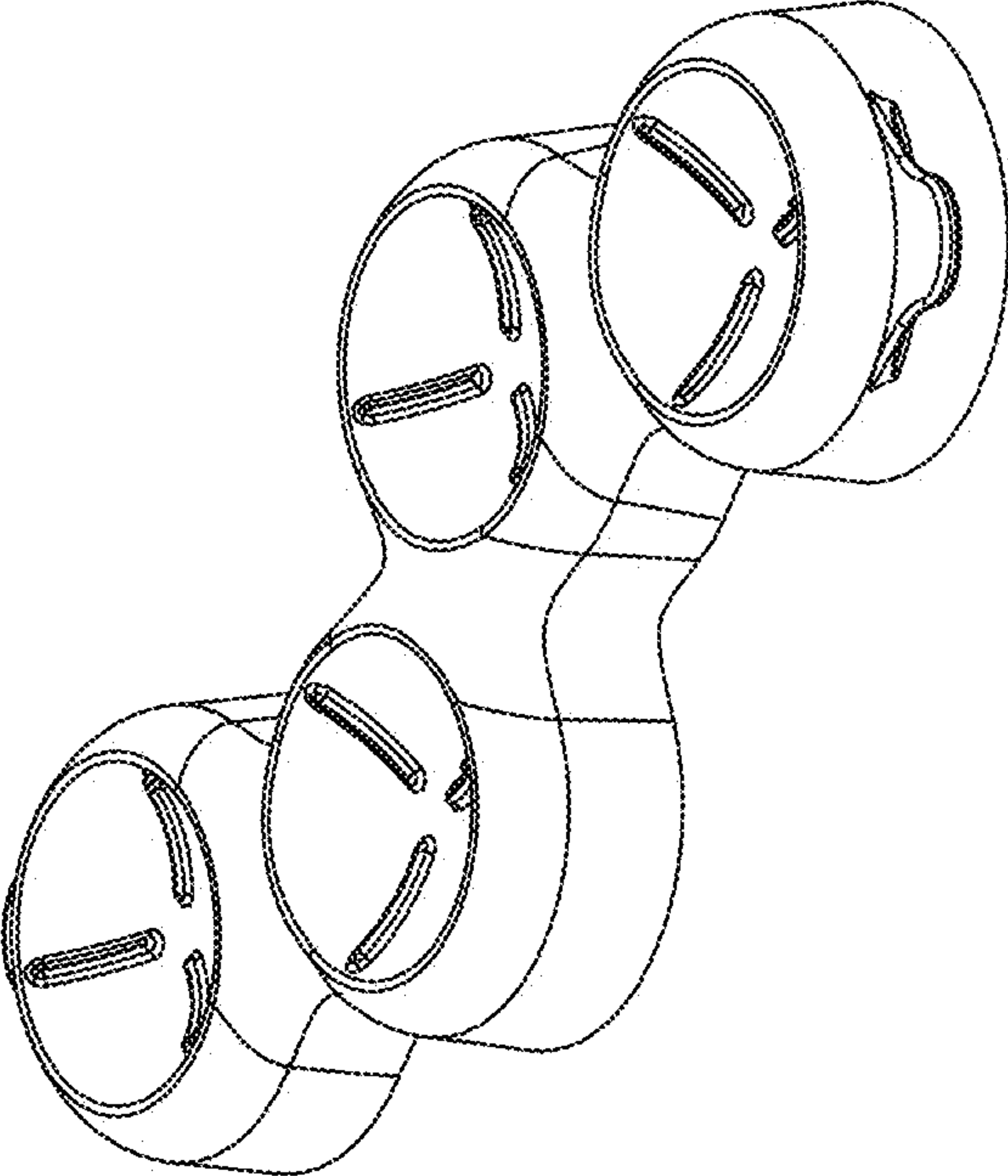


Fig. 1

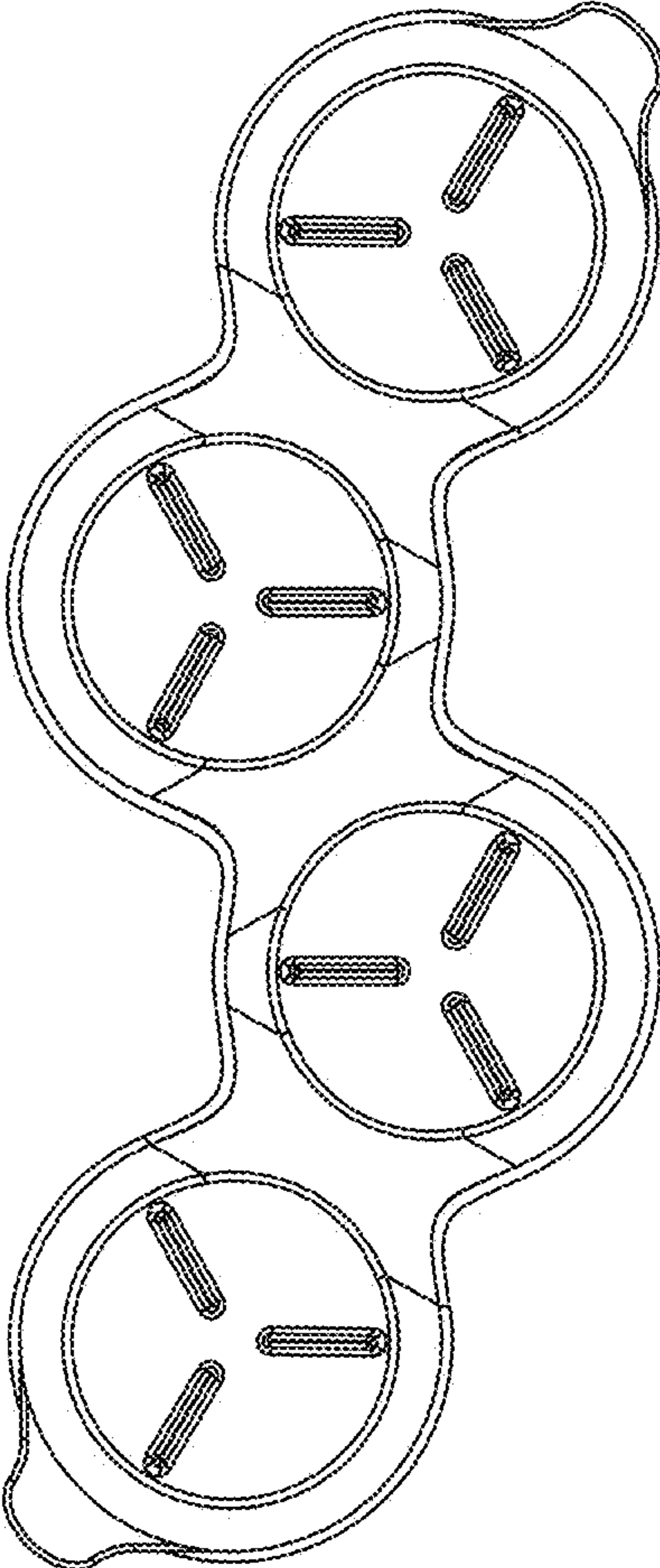


Fig. 2

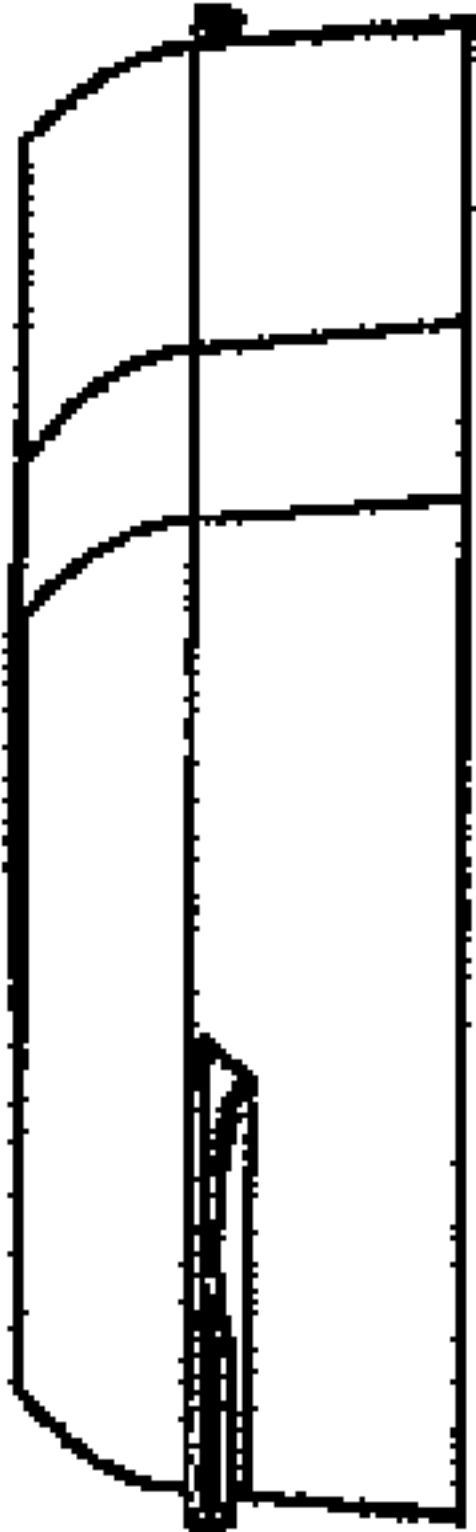


FIG. 3

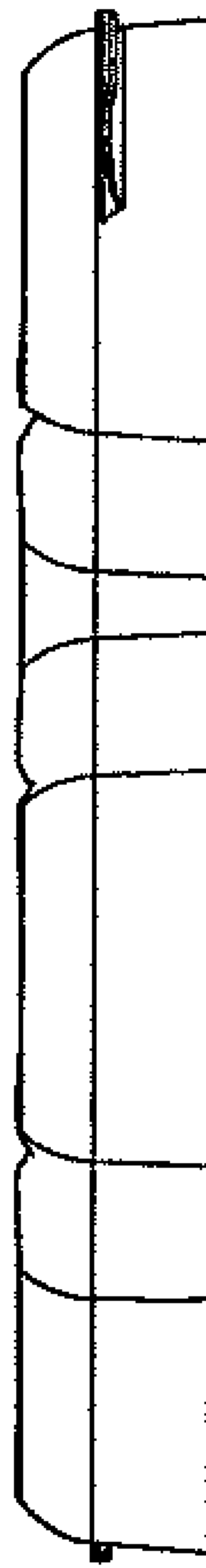


Fig. 4

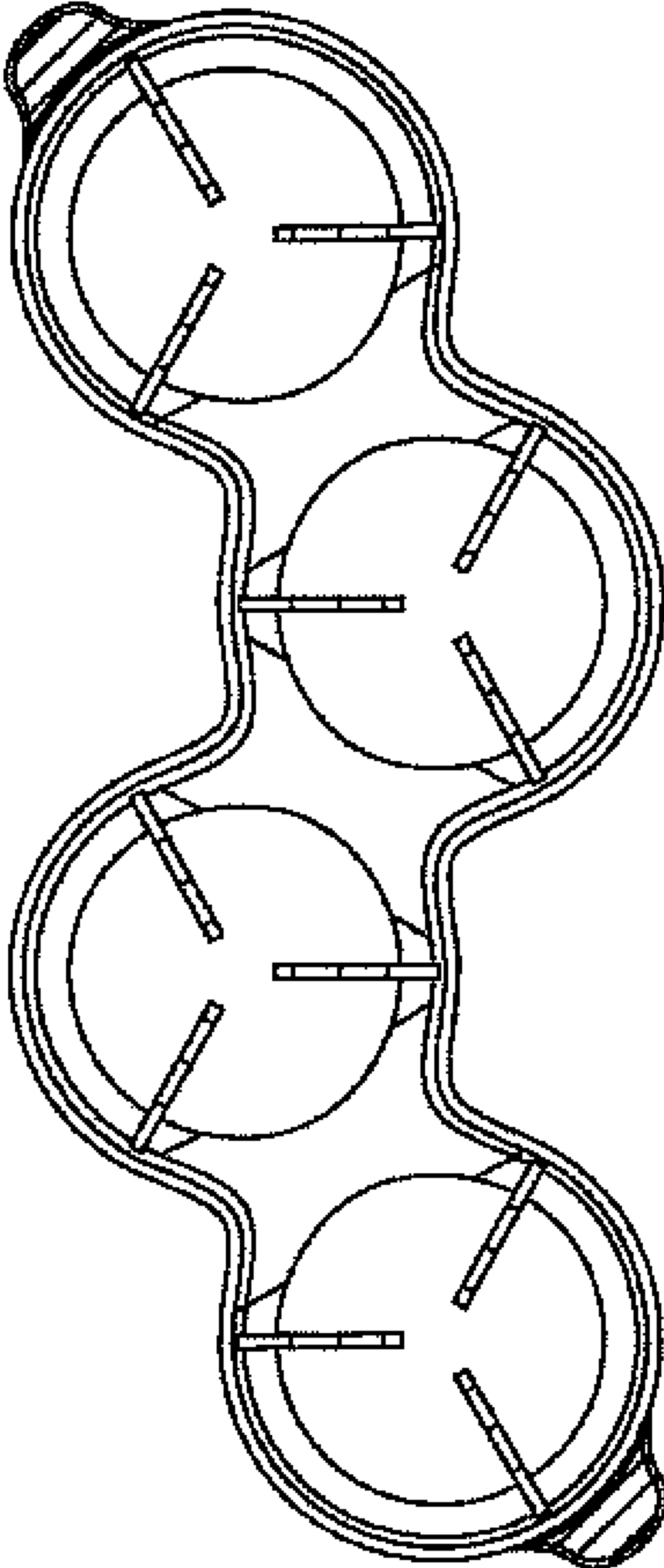


Fig. 5

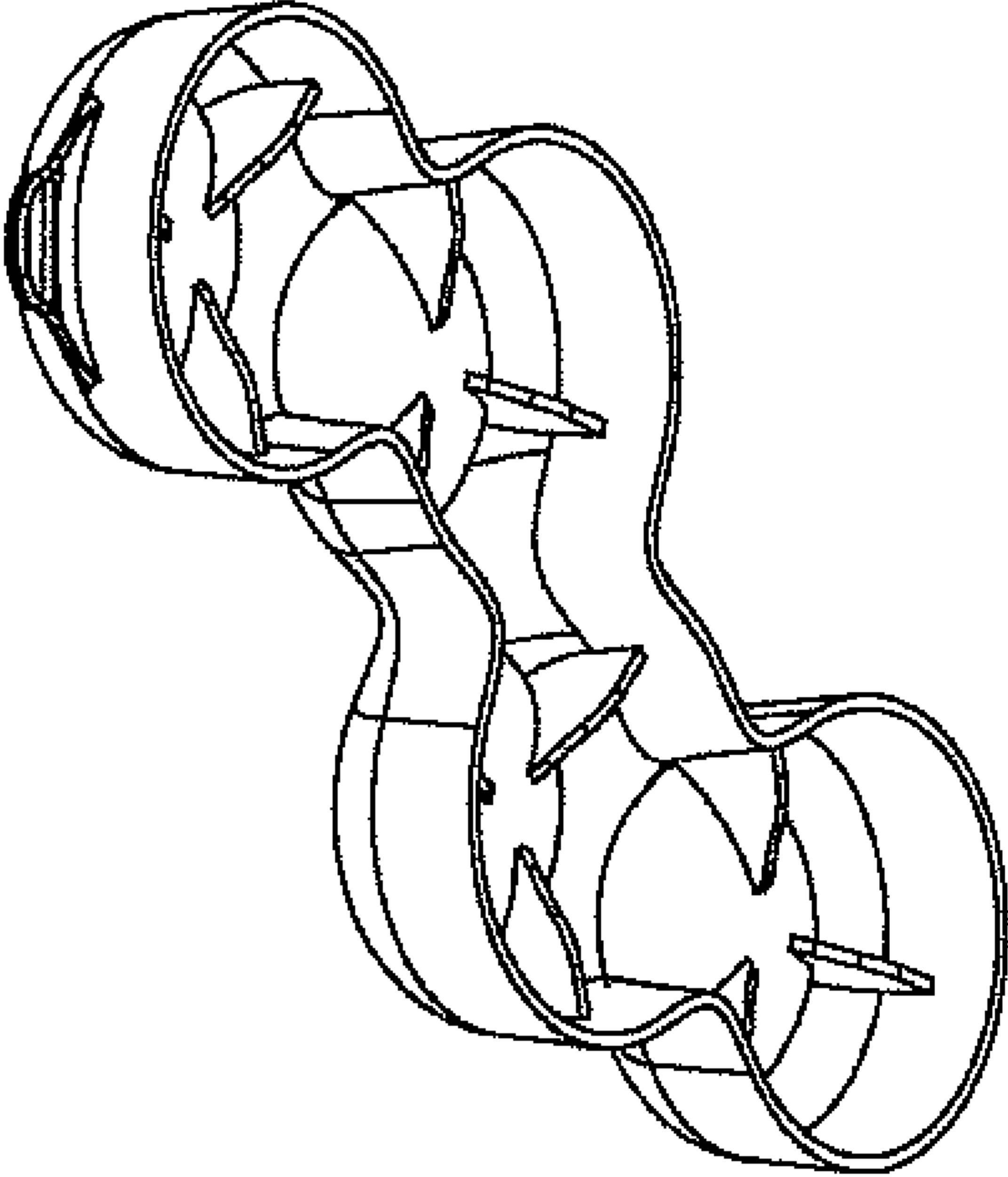


Fig. 6

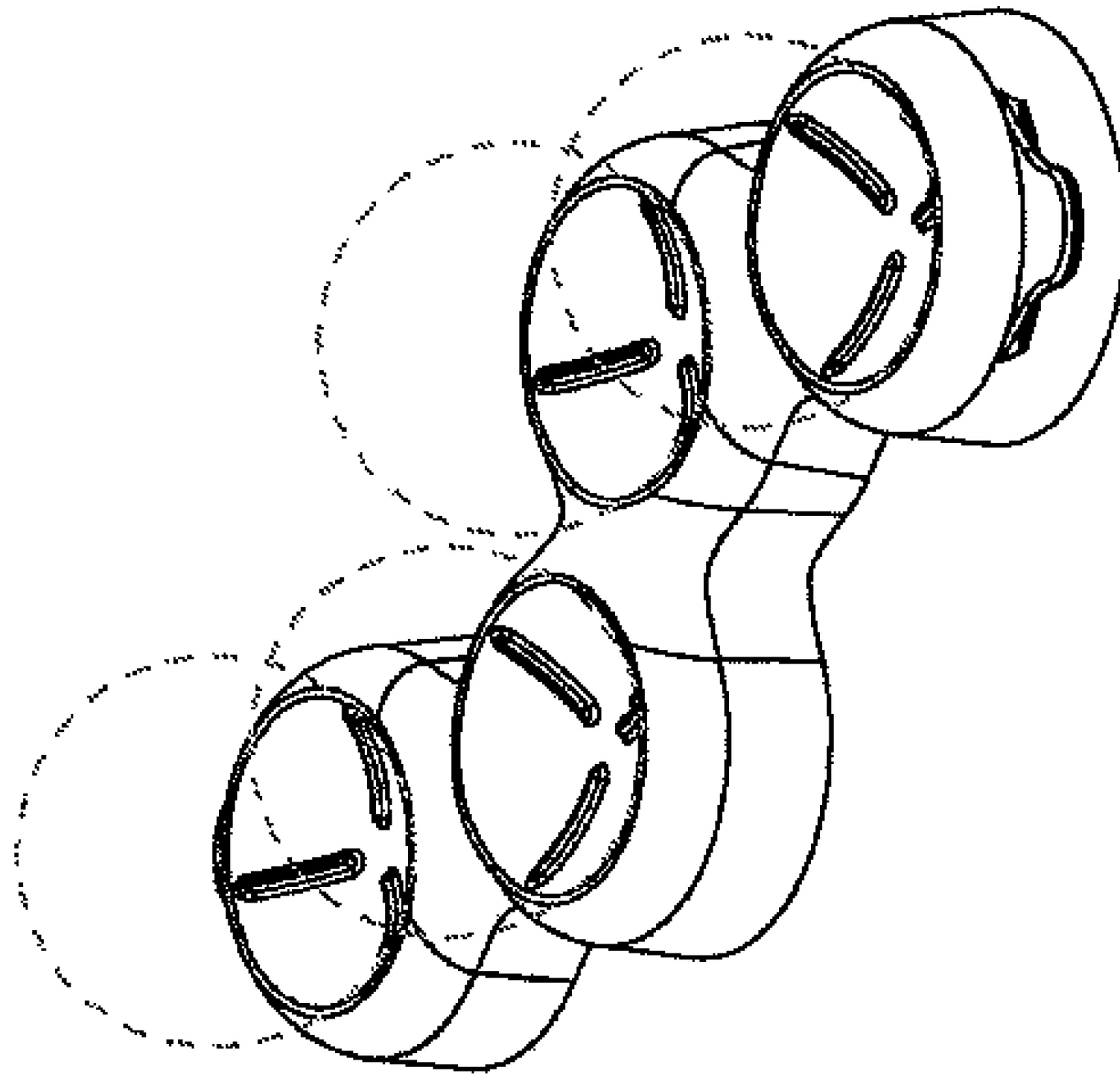


Fig. 7