



US00D757126S

(12) **United States Design Patent**  
**Vaninetti et al.**

(10) **Patent No.:** **US D757,126 S**  
(45) **Date of Patent:** **\*\* May 24, 2016**

- (54) **ENGINE COVER**
- (71) Applicant: **Brunswick Corporation**, Lake Forest, IL (US)
- (72) Inventors: **Travis J. Vaninetti**, Neenah, WI (US); **Todd D. Dannenberg**, Oshkosh, WI (US)
- (73) Assignee: **Brunswick Corporation**, Lake Forest, IL (US)
- (\*\*) Term: **14 Years**
- (21) Appl. No.: **29/517,076**
- (22) Filed: **Feb. 10, 2015**
- (51) **LOC (10) Cl.** ..... **15-03**
- (52) **U.S. Cl.**  
USPC ..... **D15/31**
- (58) **Field of Classification Search**  
USPC ..... D15/10, 11, 13-17, 22-26, 28, 31;  
D12/173; 56/13.3, 13.4, 15.8, 15.9,  
56/320.1; 180/89.1, 89.12, 900, 69.2,  
180/68.1, 69.1  
CPC ..... B60K 11/085; B60K 11/06; B60K 11/08;  
B60K 11/04; B62D 25/10; B60J 5/10; B60R  
21/38  
See application file for complete search history.

(56) **References Cited**  
U.S. PATENT DOCUMENTS

D341,365 S	*	11/1993	Little	.....	D15/31
D352,723 S	*	11/1994	DeBaal	.....	D12/163
D448,037 S	*	9/2001	Westimayer	.....	D15/31
D460,465 S	*	7/2002	Williams	.....	D15/31
D495,345 S	*	8/2004	Farlow	.....	D15/31
D497,370 S	*	10/2004	Katoh	.....	D15/31

D498,485 S	*	11/2004	Kuwae	.....	D15/31
D500,056 S	*	12/2004	DeYoung	.....	D15/31
D517,096 S	*	3/2006	Landers	.....	D15/28
D560,050 S	*	1/2008	Tokach	.....	D15/31
D565,607 S	*	4/2008	Moen	.....	D15/31
D578,274 S	*	10/2008	Tokach	.....	D15/31
D624,567 S	*	9/2010	Kelley	.....	D15/30
D626,975 S	*	11/2010	Ryczek	.....	D15/31
D629,818 S	*	12/2010	Rummer	.....	D15/31
D635,154 S	*	3/2011	Rummer	.....	D15/23
D655,320 S	*	3/2012	Hiraoka	.....	D15/28
D657,400 S	*	4/2012	Loew	.....	D15/20
D660,323 S	*	5/2012	Hiraoka	.....	D15/28
D706,313 S	*	6/2014	Higashikawa	.....	D15/17
D707,729 S	*	6/2014	Jackson	.....	D15/31
D708,233 S	*	7/2014	Furuki	.....	D15/28
D715,333 S	*	10/2014	Jacobsthal	.....	D15/31
D716,846 S	*	11/2014	Carter	.....	D15/31
D728,640 S	*	5/2015	Turner	.....	D15/31

\* cited by examiner

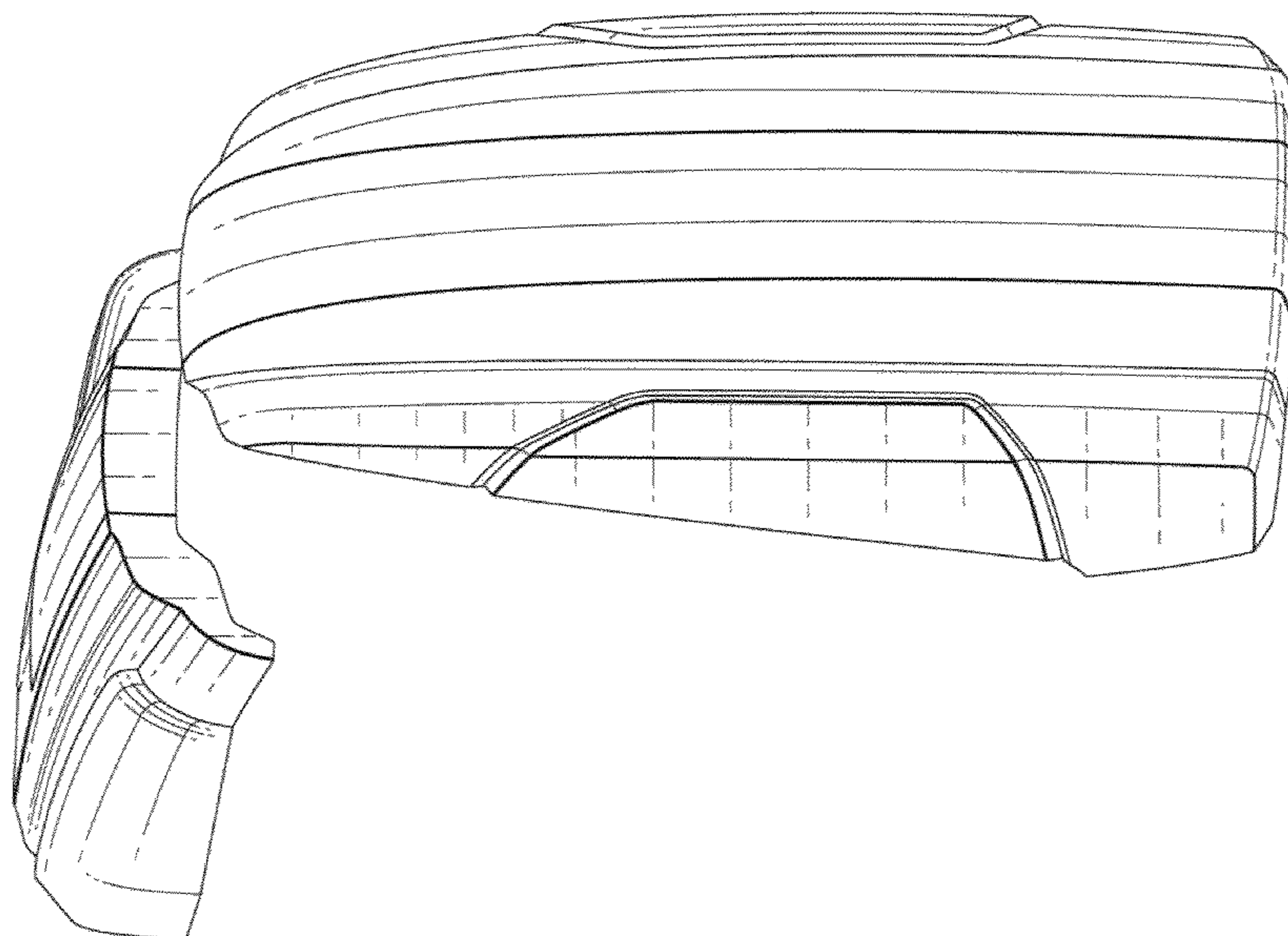
*Primary Examiner* — Mark Goodwin  
(74) *Attorney, Agent, or Firm* — Eric Bublitz

(57) **CLAIM**  
The ornamental design for an engine cover, as shown and described.

**DESCRIPTION**

FIG. 1 is a perspective view of an engine cover showing the new design.  
FIG. 2 is another perspective view thereof;  
FIG. 3 is a left side elevational view thereof;  
FIG. 4 is a right side elevational view thereof;  
FIG. 5 is a front elevational view thereof;  
FIG. 6 is a back elevational view thereof;  
FIG. 7 is a top plan view thereof; and,  
FIG. 8 is a bottom plan view thereof.

**1 Claim, 8 Drawing Sheets**



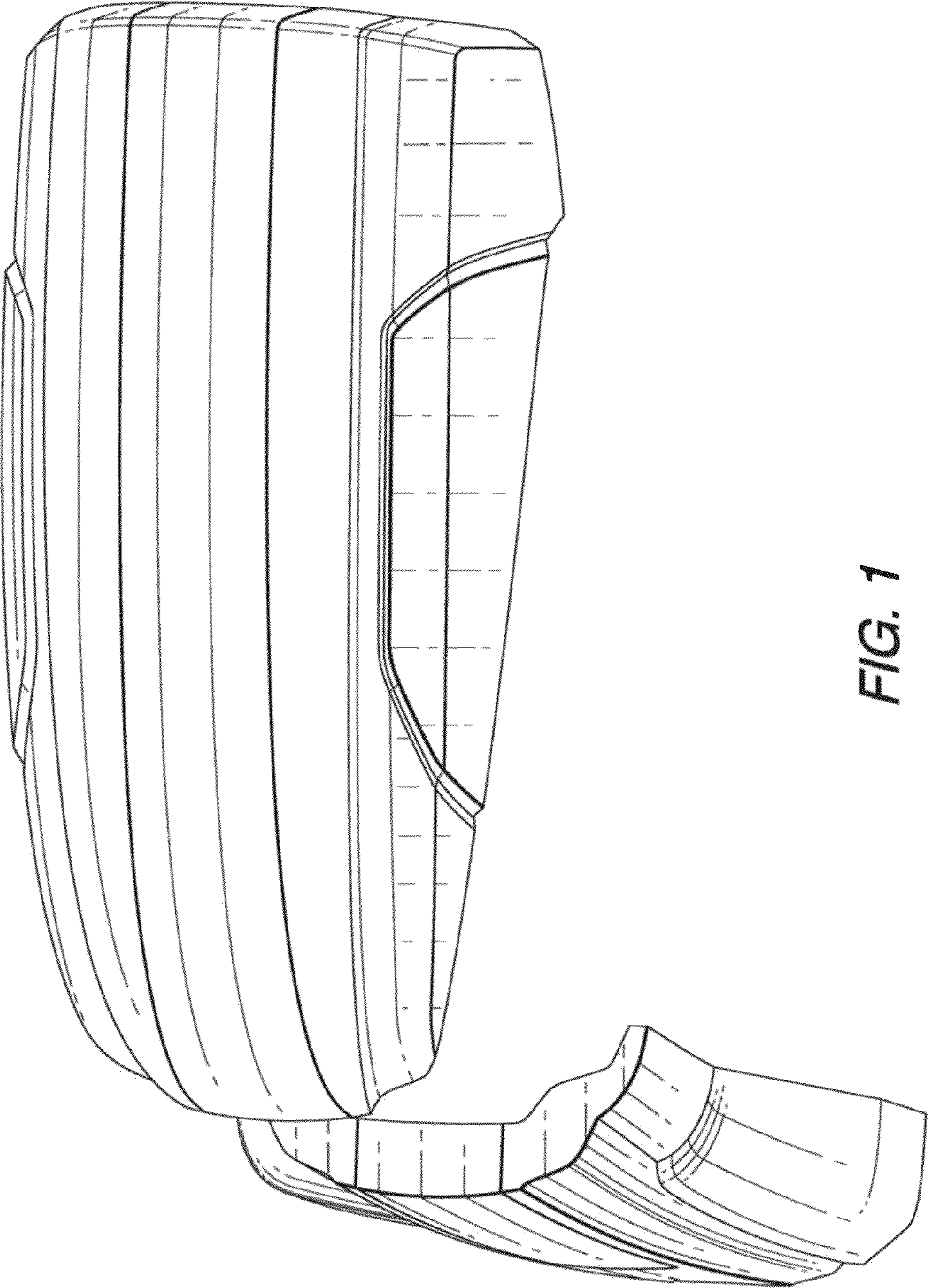


FIG. 1

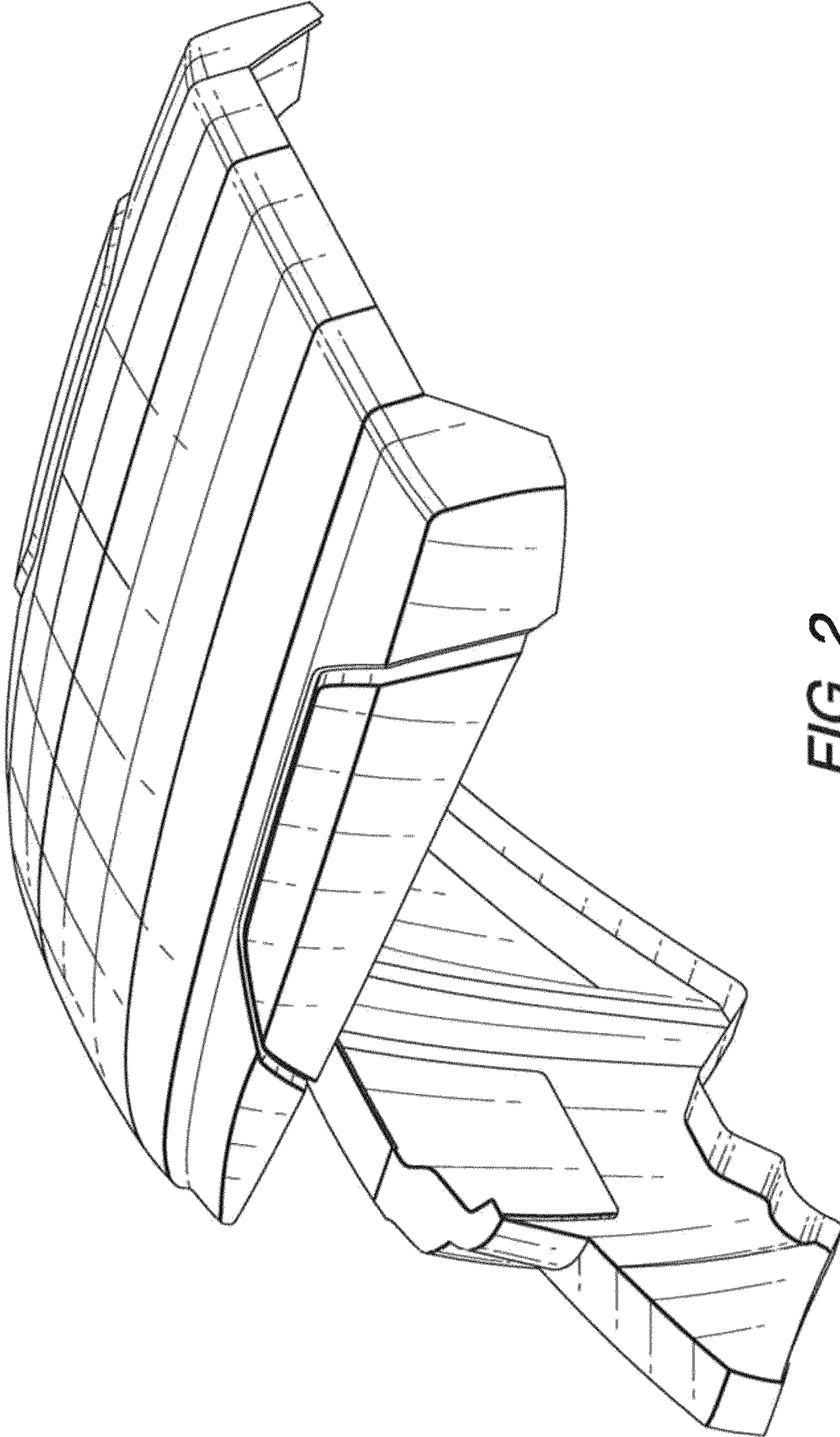


FIG. 2

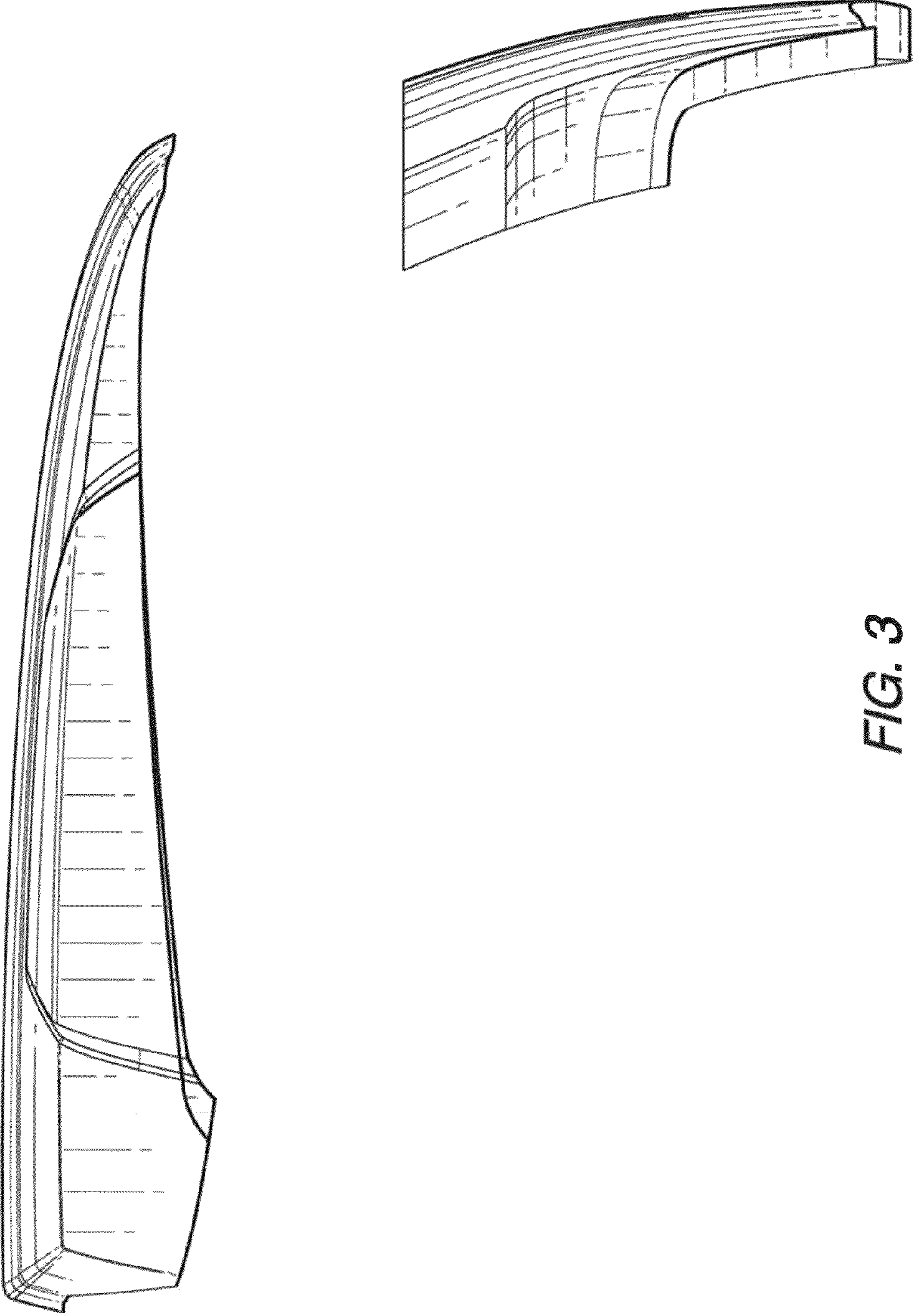


FIG. 3

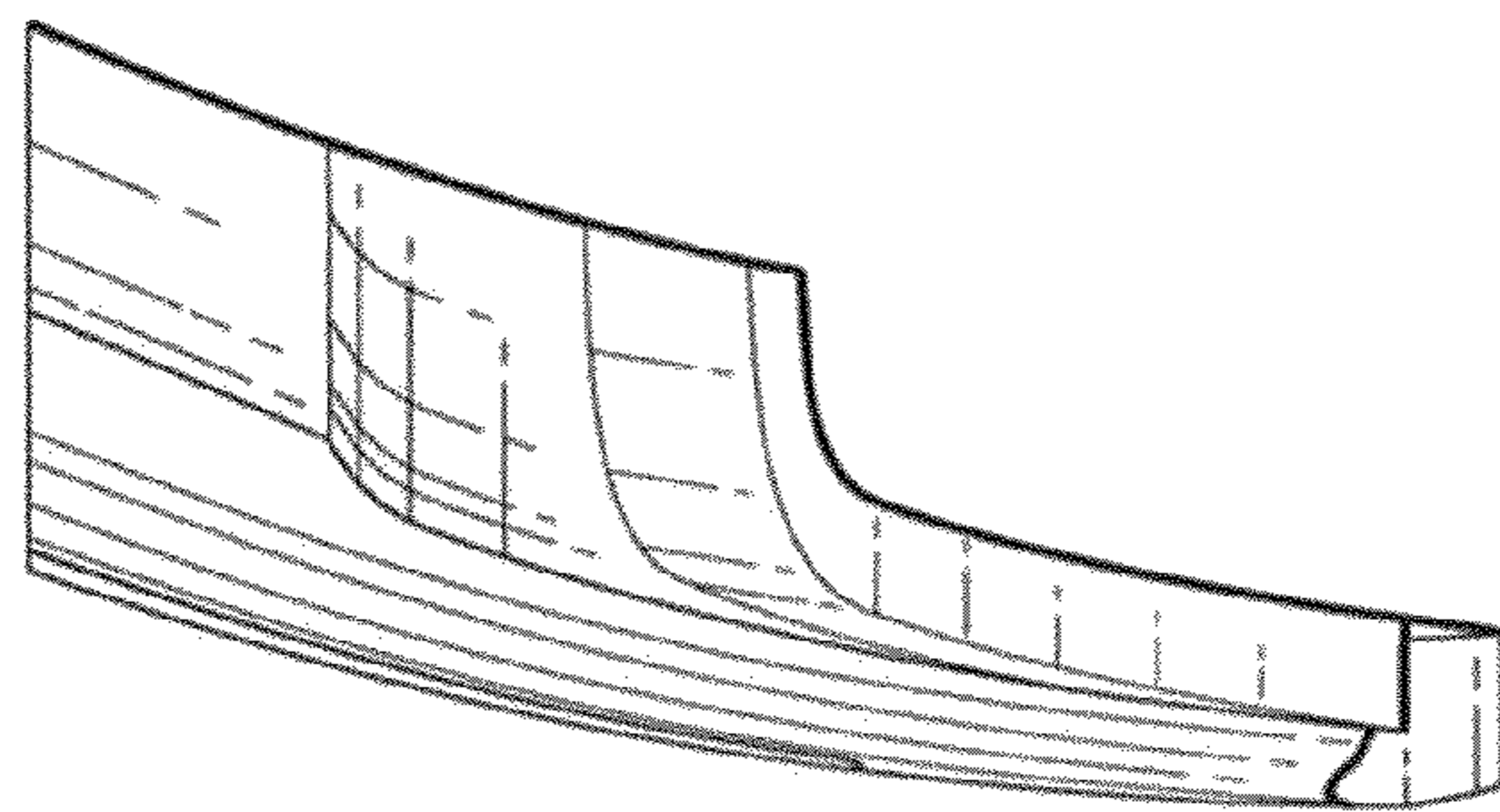
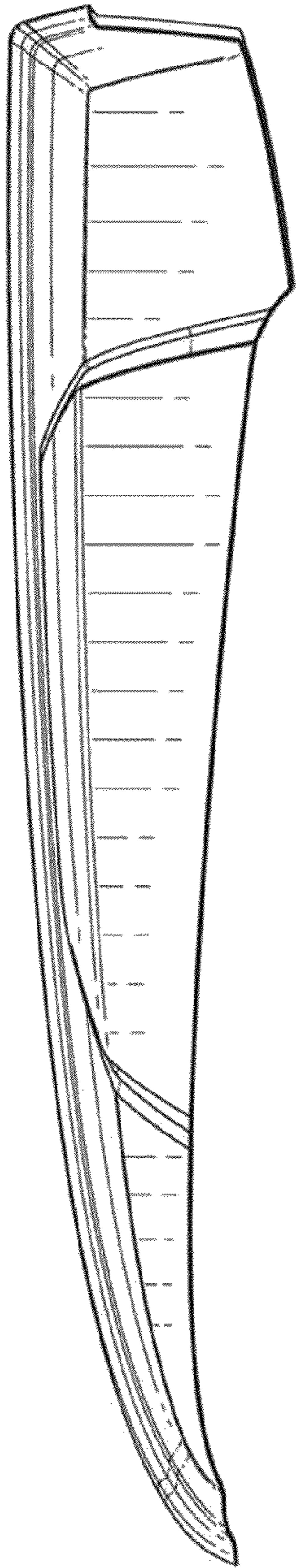
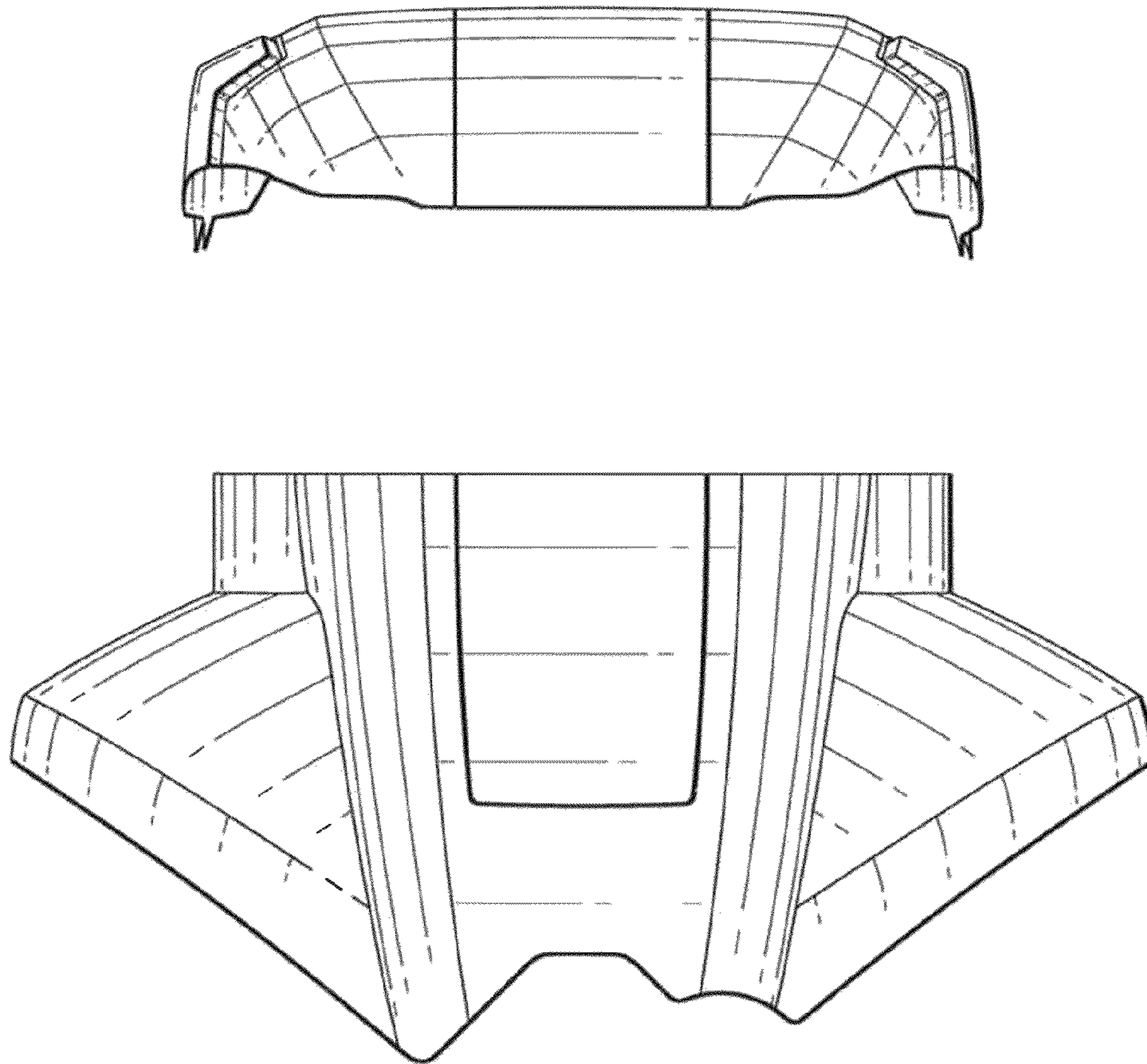
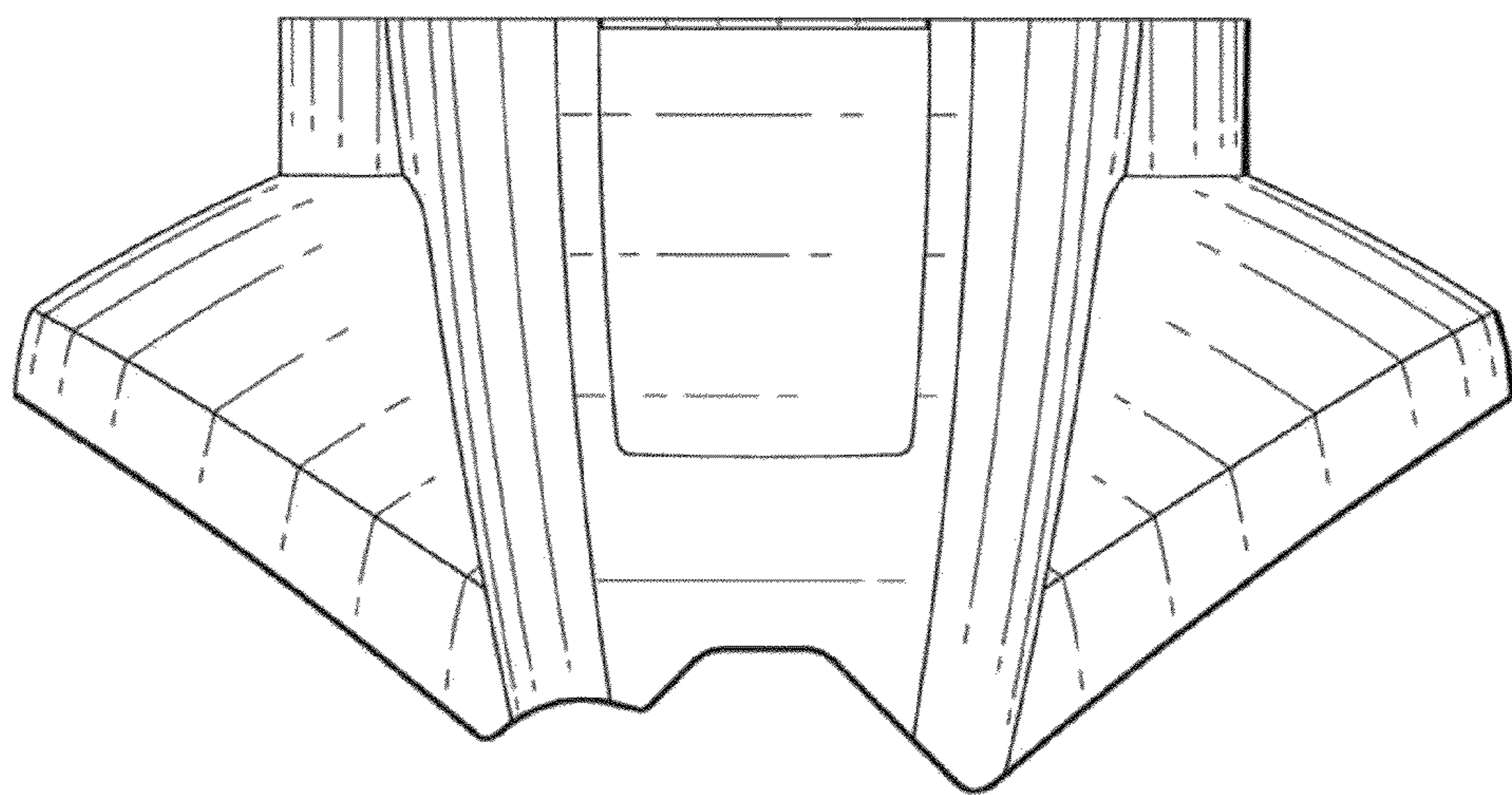
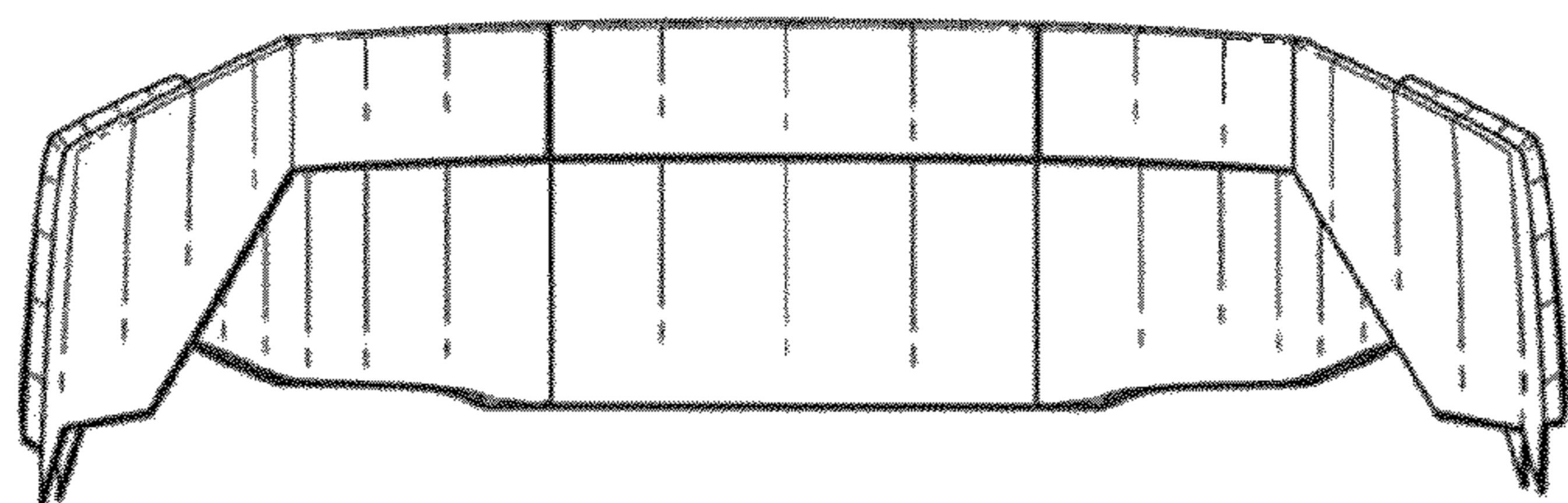


FIG. 4



*FIG. 5*



**FIG. 6**

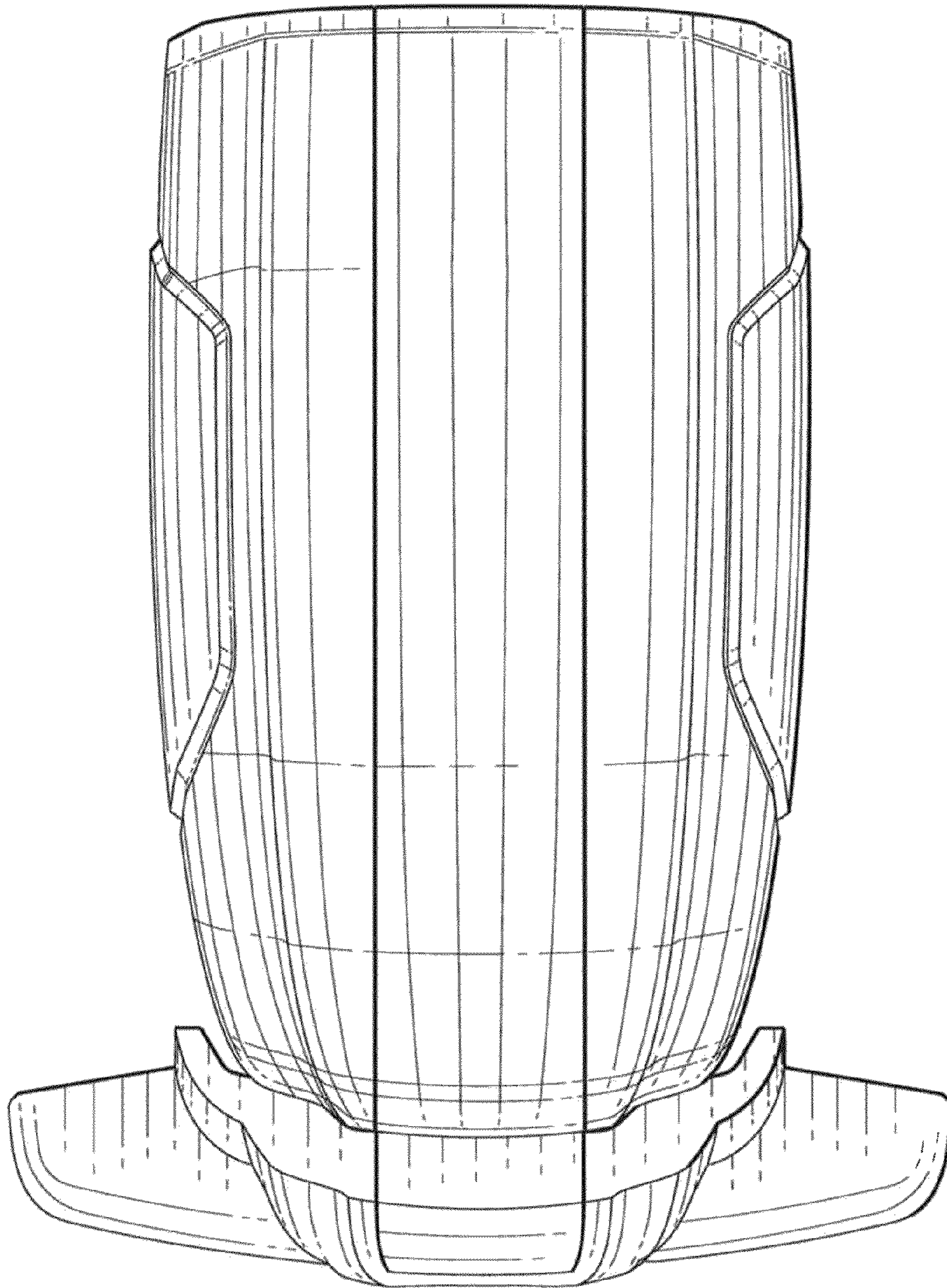


FIG. 7



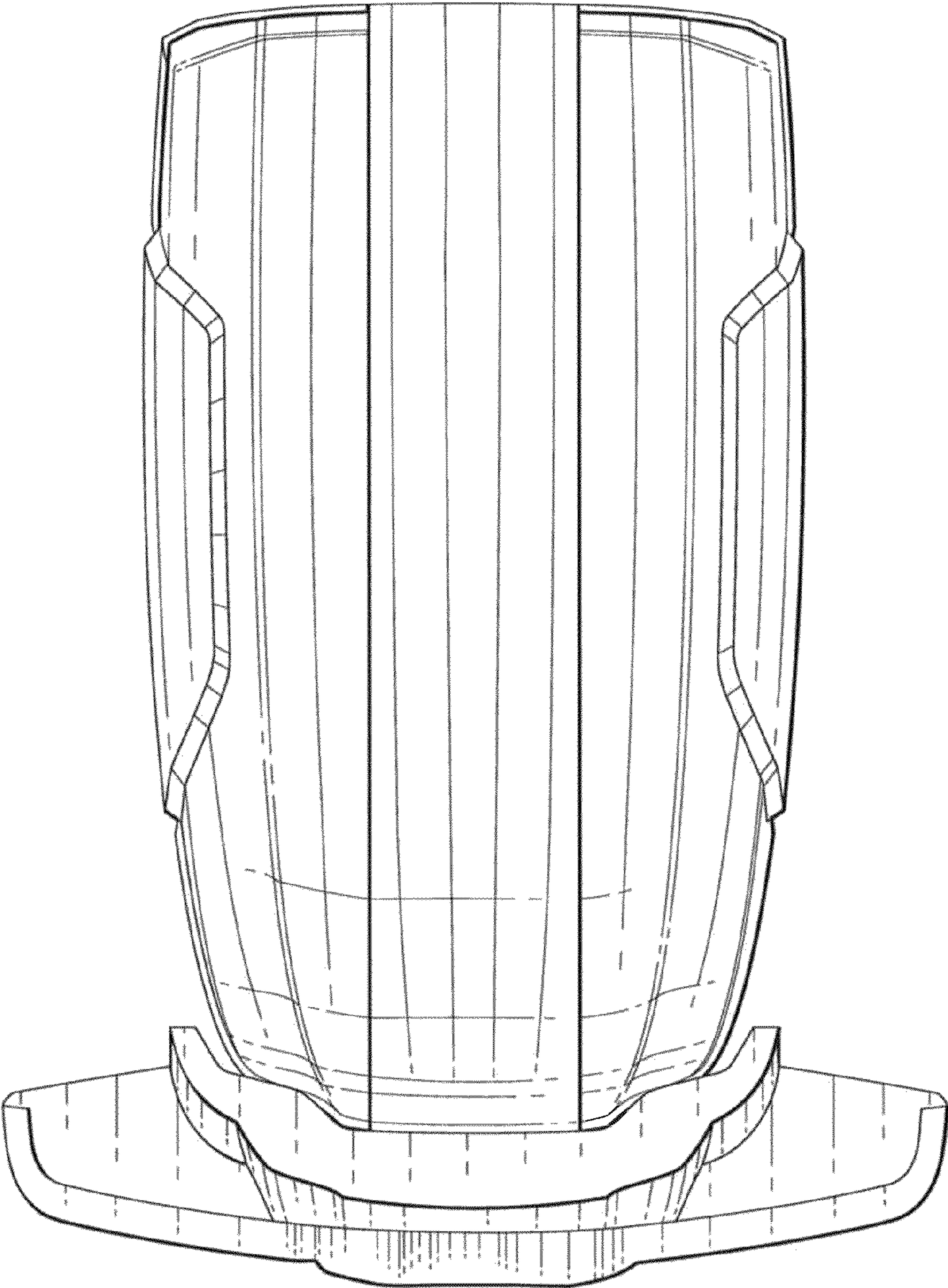


FIG. 8