



US00D757124S

(12) **United States Design Patent**  
**Stanley et al.**

(10) **Patent No.:** **US D757,124 S**  
(45) **Date of Patent:** **\*\* May 24, 2016**

(54) <b>LAND CLEARING TOOL INTERFACE</b>	3,490,117 A	1/1970	Hertel
	3,642,214 A	2/1972	Blackwell, Jr.
(71) Applicant: <b>FECON, INC.</b> , Lebanon, OH (US)	3,774,324 A	11/1973	Lafond
	3,837,408 A *	9/1974	Green ..... A01B 39/24 172/702
(72) Inventors: <b>Jeffrey Stanley</b> , Lebanon, OH (US); <b>Robert Hentz</b> , Hamilton, OH (US)	3,850,375 A	11/1974	Ford
	4,668,122 A	5/1987	Riddle
	4,682,916 A	7/1987	Briese
(73) Assignee: <b>Fecon, Inc.</b> , Lebanon, OH (US)	4,727,664 A	3/1988	Hemphill
	4,782,774 A	11/1988	Clarke
(**) Term: <b>14 Years</b>	4,813,491 A *	3/1989	Gross ..... E02F 9/2841 172/699

(21) Appl. No.: **29/466,991**

(Continued)

(22) Filed: **Sep. 13, 2013**

**OTHER PUBLICATIONS**

International Search Report on Application No. PCT/US2009/034872 dated Apr. 21, 2009.

(Continued)

**Related U.S. Application Data**

(63) Continuation of application No. 12/918,677, filed on Nov. 30, 2010, now Pat. No. 8,540,033.

(51) **LOC (10) Cl.** ..... **15-03**

(52) **U.S. Cl.**  
USPC ..... **D15/28**

(58) **Field of Classification Search**  
USPC ..... D15/20, 21, 28, 29; 172/548, 540, 122, 172/554; 241/294, 242, 300, 189, 194, 195; 37/454, 453, 456, 452; 404/121, 235, 404/24.12, 34.1, 4.1; 144/241, 235, 24.12, 144/34.1, 4.1; 83/840; 56/13.6  
CPC ..... E02F 9/2833; E02F 9/2841; E02F 9/28  
See application file for complete search history.

(56) **References Cited**

**U.S. PATENT DOCUMENTS**

833,797 A	10/1906	Ollrich
1,905,384 A	4/1933	Jass
2,131,947 A	10/1938	Gilmore
2,242,808 A	5/1941	Austin
3,049,824 A	8/1962	McIninch
3,203,488 A	8/1965	Eastwood
3,274,908 A	9/1966	Grant et al.
3,277,802 A	10/1966	Petersen
3,358,569 A	12/1967	Averette

*Primary Examiner* — Mark Goodwin

(74) *Attorney, Agent, or Firm* — Ulmer & Berne LLP

(57) **CLAIM**

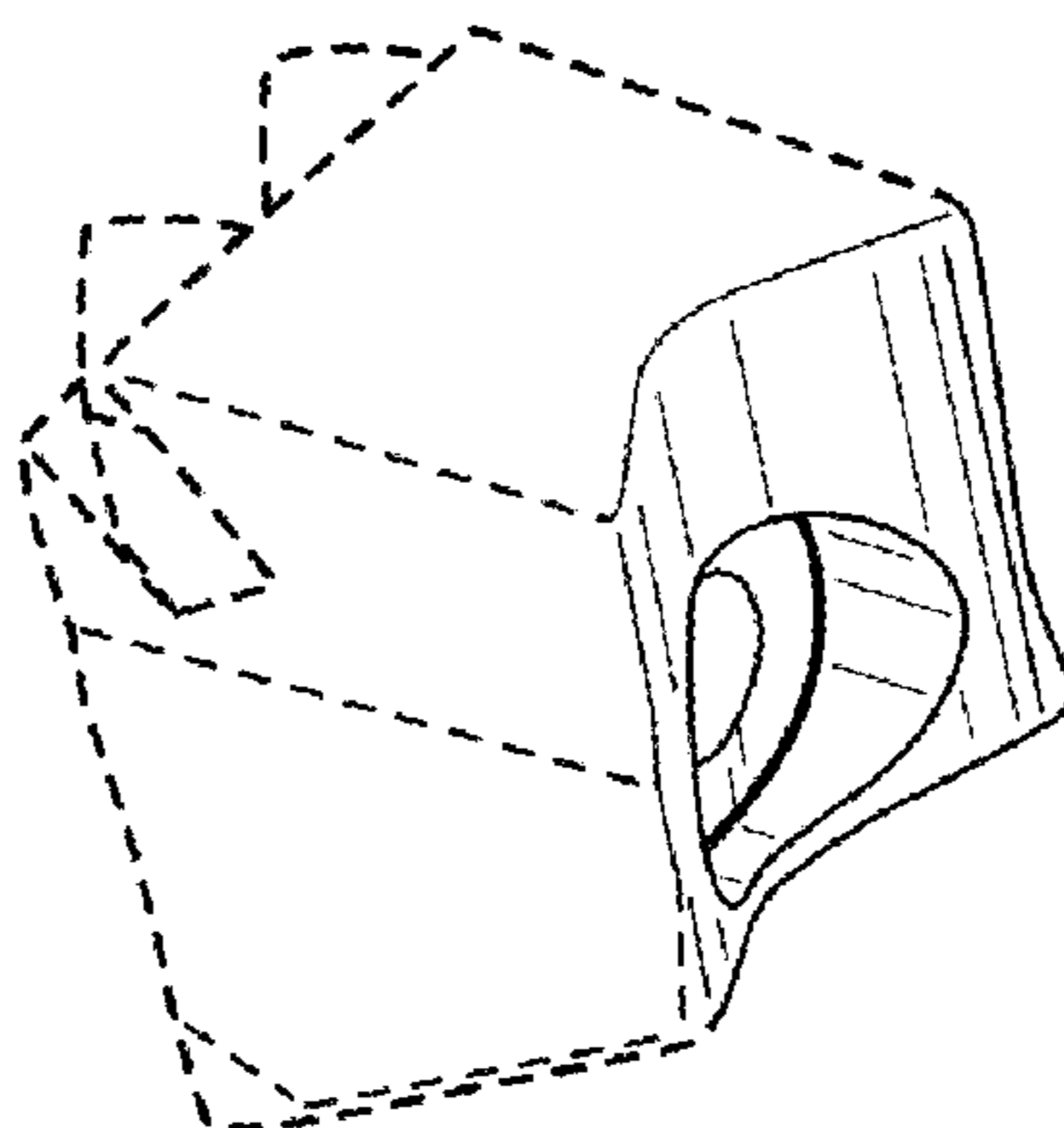
The ornamental design of a land clearing tool interface, as shown and described.

**DESCRIPTION**

FIG. 1 is a front, right, perspective view of a land clearing tool interface showing our new design;  
FIG. 2 is a rear, left, perspective view thereof;  
FIG. 3 is a top view thereof;  
FIG. 4 is a right side view thereof;  
FIG. 5 is a front view thereof;  
FIG. 6 is a left side view thereof;  
FIG. 7 is a back view thereof; and,  
FIG. 8 is a bottom view thereof.

The broken line showing of portions of the tool interface is included for the purpose of illustrating portions of a land clearing tool interface and forms no part of the claimed design.

**1 Claim, 3 Drawing Sheets**



(56)

References Cited

U.S. PATENT DOCUMENTS

4,826,090 A 5/1989 Orphall  
 4,842,337 A 6/1989 Southern  
 4,918,843 A 4/1990 Kiesewetter et al.  
 4,919,566 A 4/1990 Caron et al.  
 4,932,447 A \* 6/1990 Morin ..... A01G 23/091  
 144/218  
 H946 H 8/1991 Lonn  
 5,077,918 A 1/1992 Garman  
 5,211,212 A 5/1993 Carlson et al.  
 5,423,138 A \* 6/1995 Livesay ..... E02F 9/2841  
 172/713  
 5,484,110 A 1/1996 Doppstadt  
 5,503,339 A 4/1996 Doppstadt  
 5,644,965 A 7/1997 MacLennan et al.  
 5,873,534 A 2/1999 Shinn  
 5,875,980 A 3/1999 Schmid  
 6,024,143 A 2/2000 Ritchey  
 6,045,072 A 4/2000 Zehr  
 D424,076 S \* 5/2000 Dibbern ..... D15/140  
 6,059,373 A 5/2000 Wright et al.  
 D435,571 S \* 12/2000 Dibbern ..... D15/140  
 6,176,445 B1 1/2001 Shinn  
 6,193,430 B1 2/2001 Culpepper et al.  
 6,247,757 B1 6/2001 Cochran  
 D446,224 S \* 8/2001 Clendenning ..... D15/29  
 D447,154 S \* 8/2001 Clendenning ..... D15/29  
 6,422,495 B1 7/2002 De Boef et al.  
 6,435,434 B1 8/2002 Monyak  
 6,517,274 B1 2/2003 Watanabe et al.  
 6,536,322 B1 3/2003 Butler et al.  
 6,682,262 B2 1/2004 Caron et al.  
 D486,503 S \* 2/2004 East ..... D15/133  
 6,708,431 B2 3/2004 Robinson et al.

6,712,551 B2 3/2004 Livesay et al.  
 D488,174 S 4/2004 East  
 6,725,758 B2 4/2004 MacLennan et al.  
 6,810,783 B1 11/2004 Larose  
 6,837,453 B2 1/2005 Sturm  
 7,108,452 B2 9/2006 Caron et al.  
 7,150,215 B2 \* 12/2006 Krehel ..... B23D 61/06  
 83/835  
 7,222,808 B2 \* 5/2007 Edwards ..... A01B 33/103  
 241/294  
 7,281,676 B1 10/2007 Bennington  
 D567,832 S 4/2008 Edwards  
 7,448,567 B2 11/2008 Roozeboom et al.  
 7,578,462 B2 \* 8/2009 Edwards ..... A01B 33/103  
 241/101.77  
 7,584,921 B1 9/2009 Bennington et al.  
 7,634,897 B2 12/2009 MacLennan et al.  
 7,713,006 B2 5/2010 MacLennan et al.  
 7,828,026 B2 11/2010 MacLennan et al.  
 7,913,432 B2 3/2011 MacLennan et al.  
 7,938,350 B2 5/2011 Doppstadt et al.  
 2002/0190148 A1 12/2002 Roozeboom et al.  
 2004/0016153 A1 1/2004 Pippins  
 2005/0001084 A1 1/2005 Pizzuto  
 2005/0098331 A1 5/2005 Edwards  
 2006/0272183 A1 12/2006 Kergen  
 2007/0193428 A1 8/2007 MacLennan et al.  
 2008/0283257 A1 11/2008 Edwards  
 2009/0014189 A1 1/2009 Stanley et al.  
 2012/0032013 A1 2/2012 Rice et al.

OTHER PUBLICATIONS

International Preliminary Report on Patentability on Application No. PCT/US2009/034872 dated Sep. 2, 2010.

\* cited by examiner

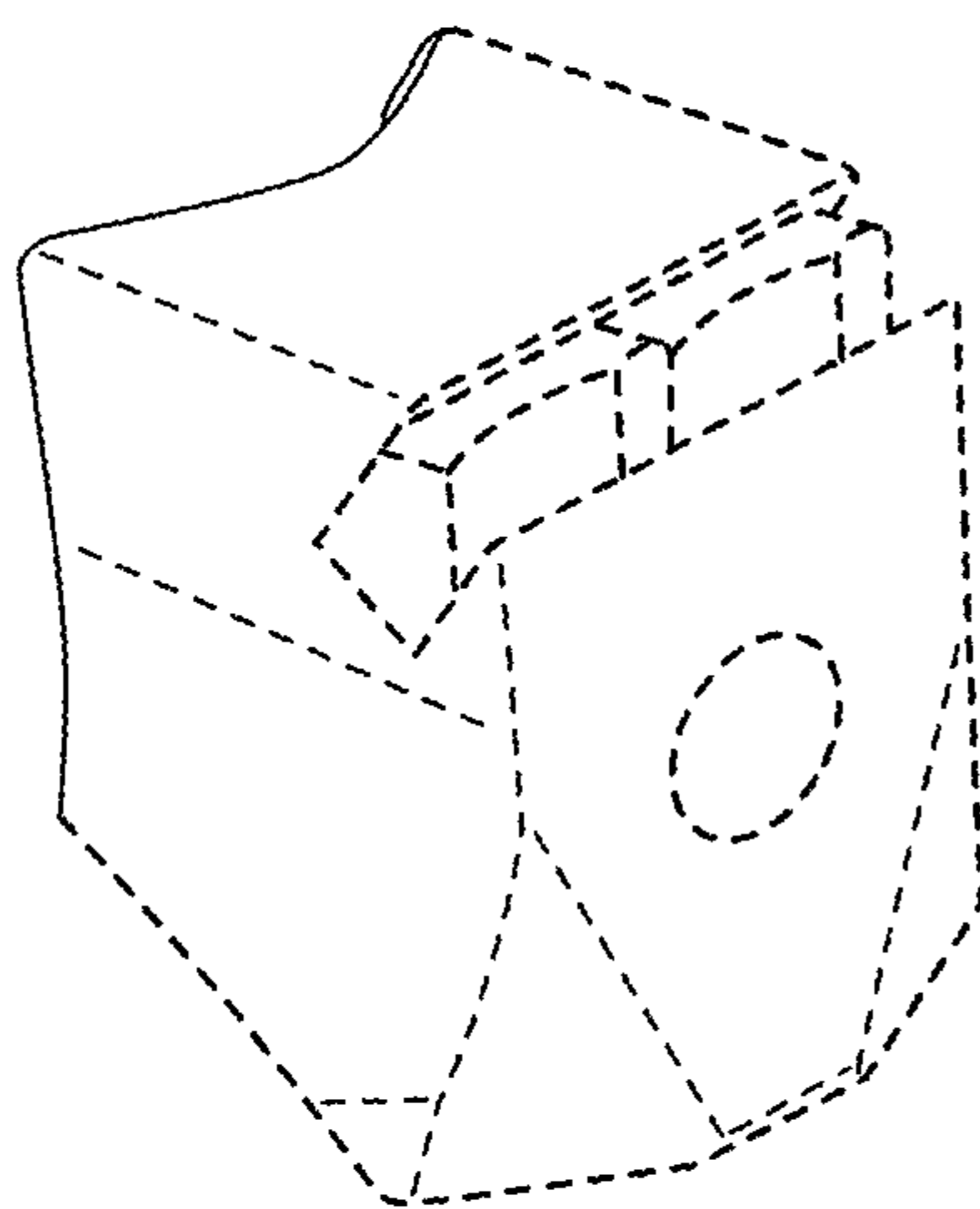


FIG. 1

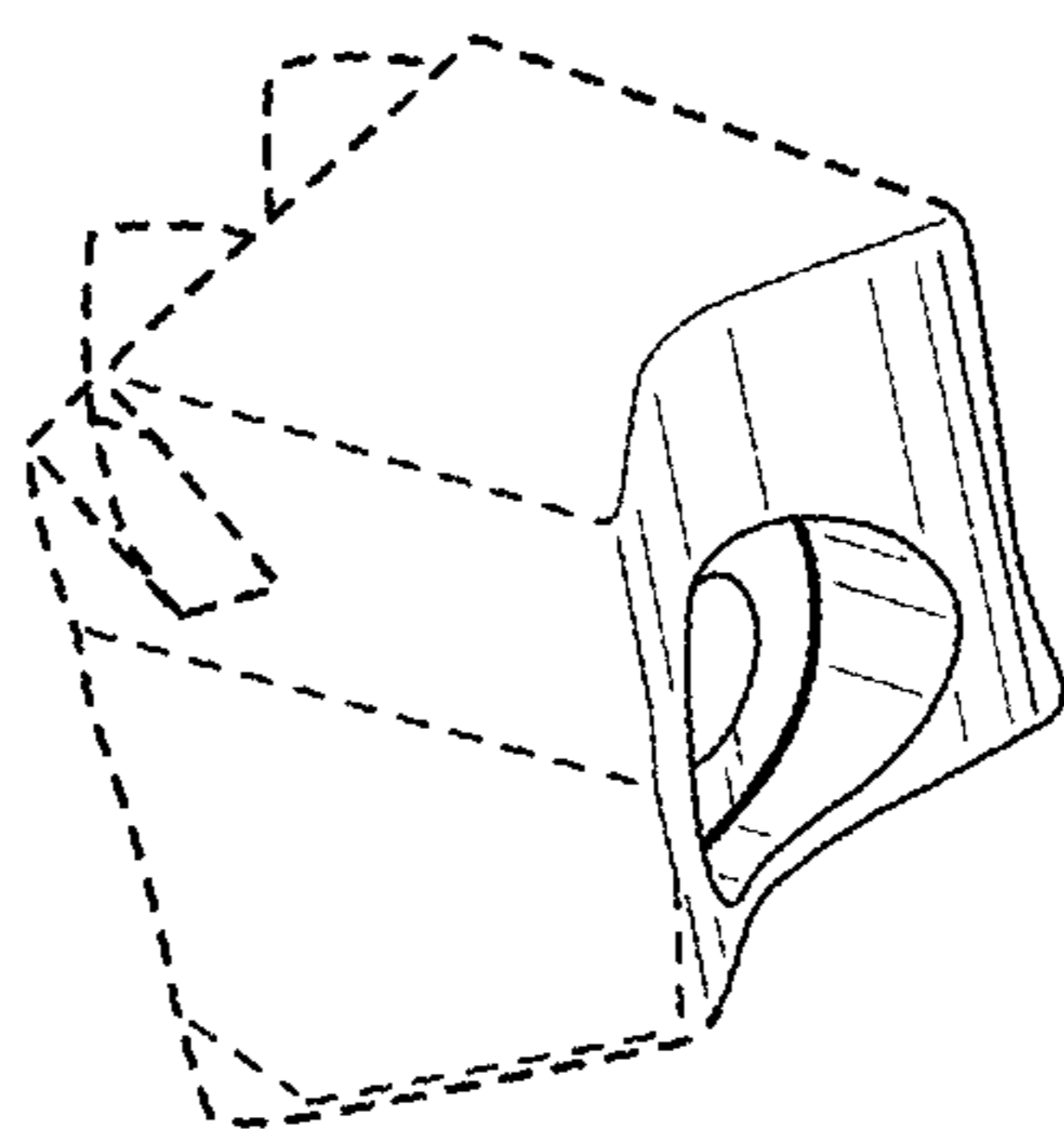


FIG. 2

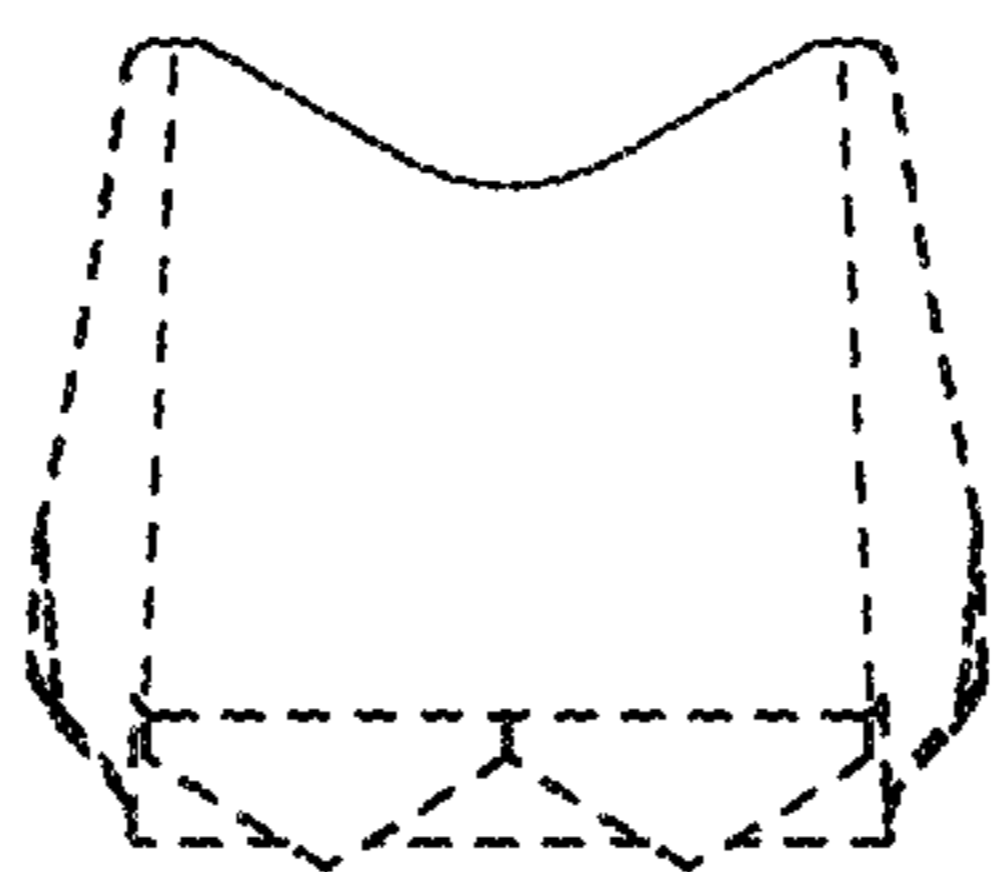


FIG. 3

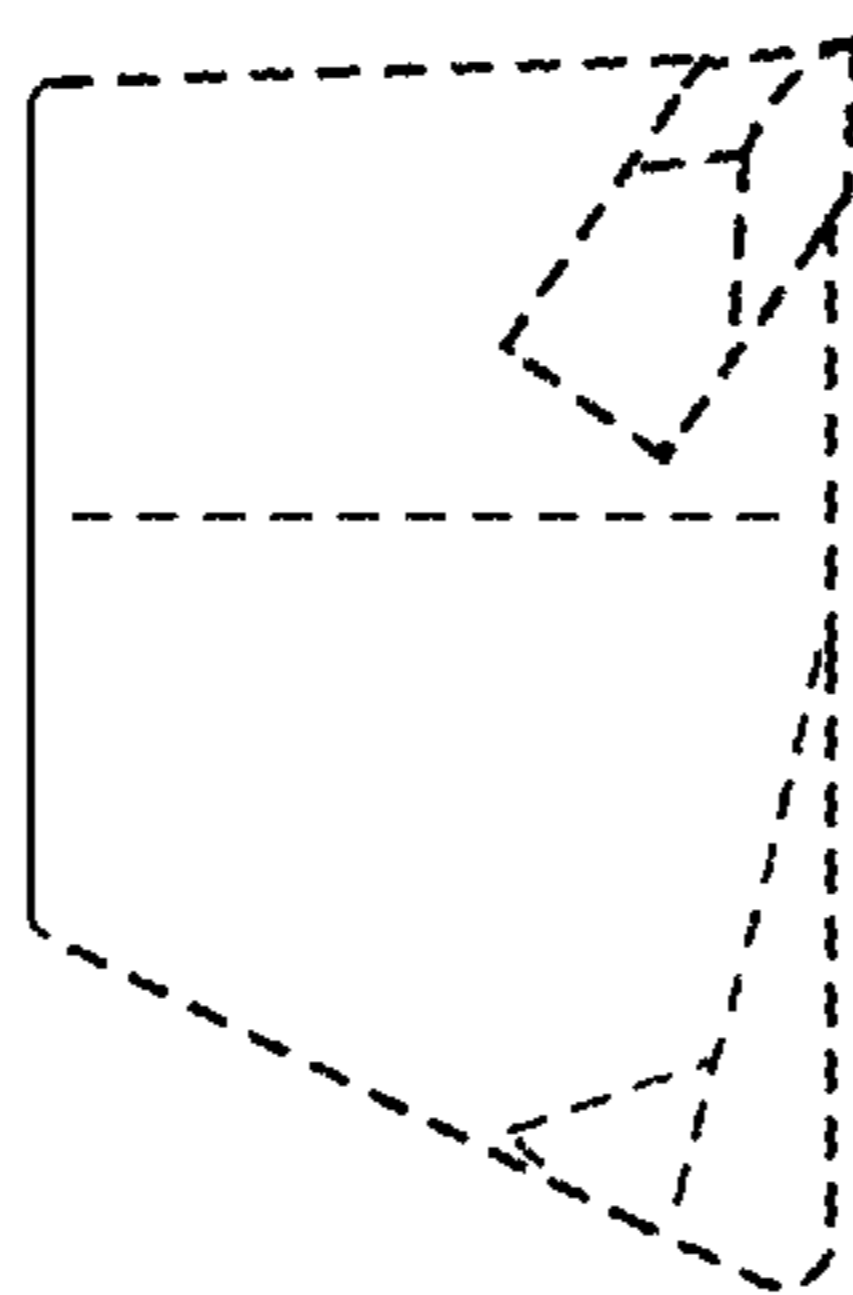


FIG. 4

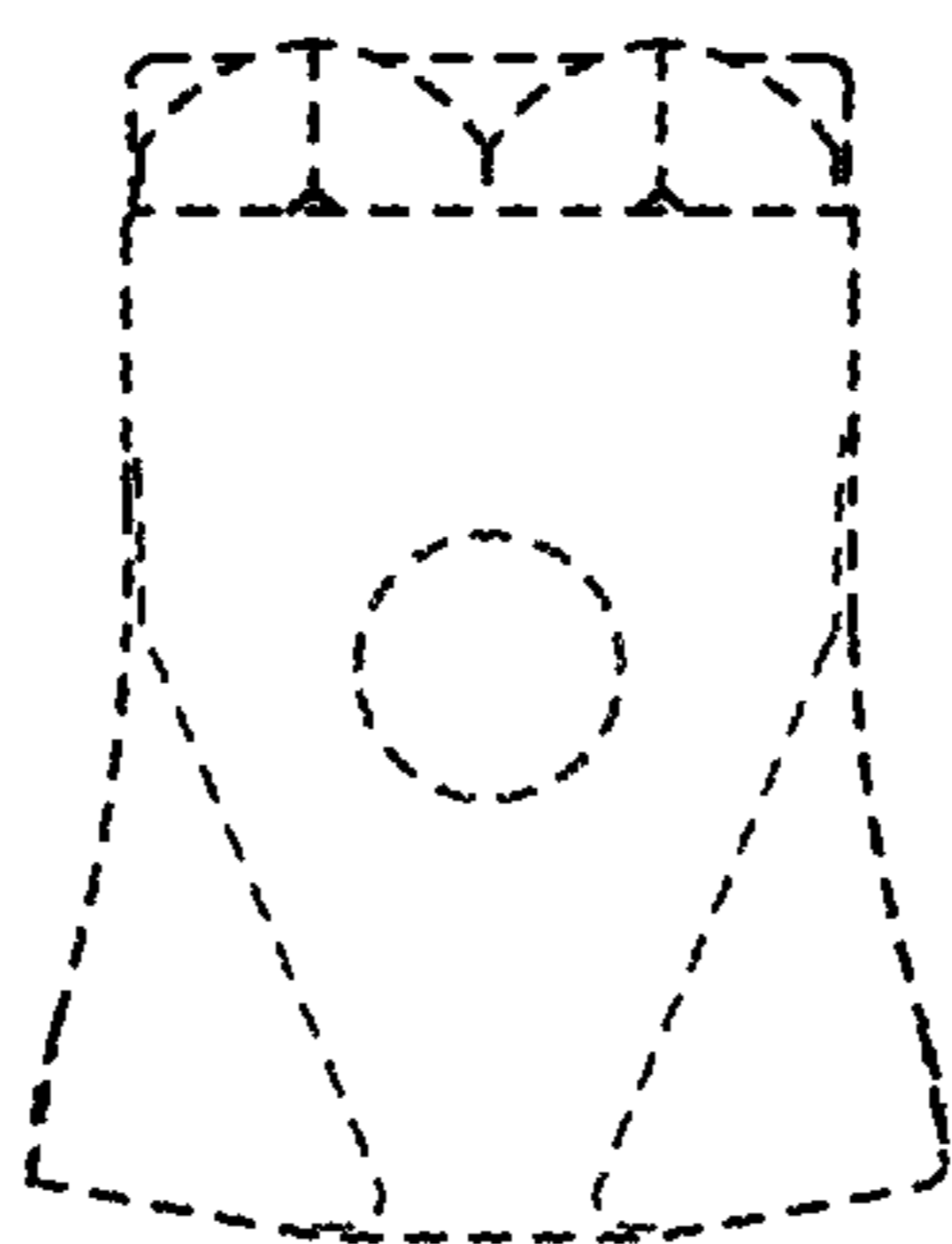


FIG. 5

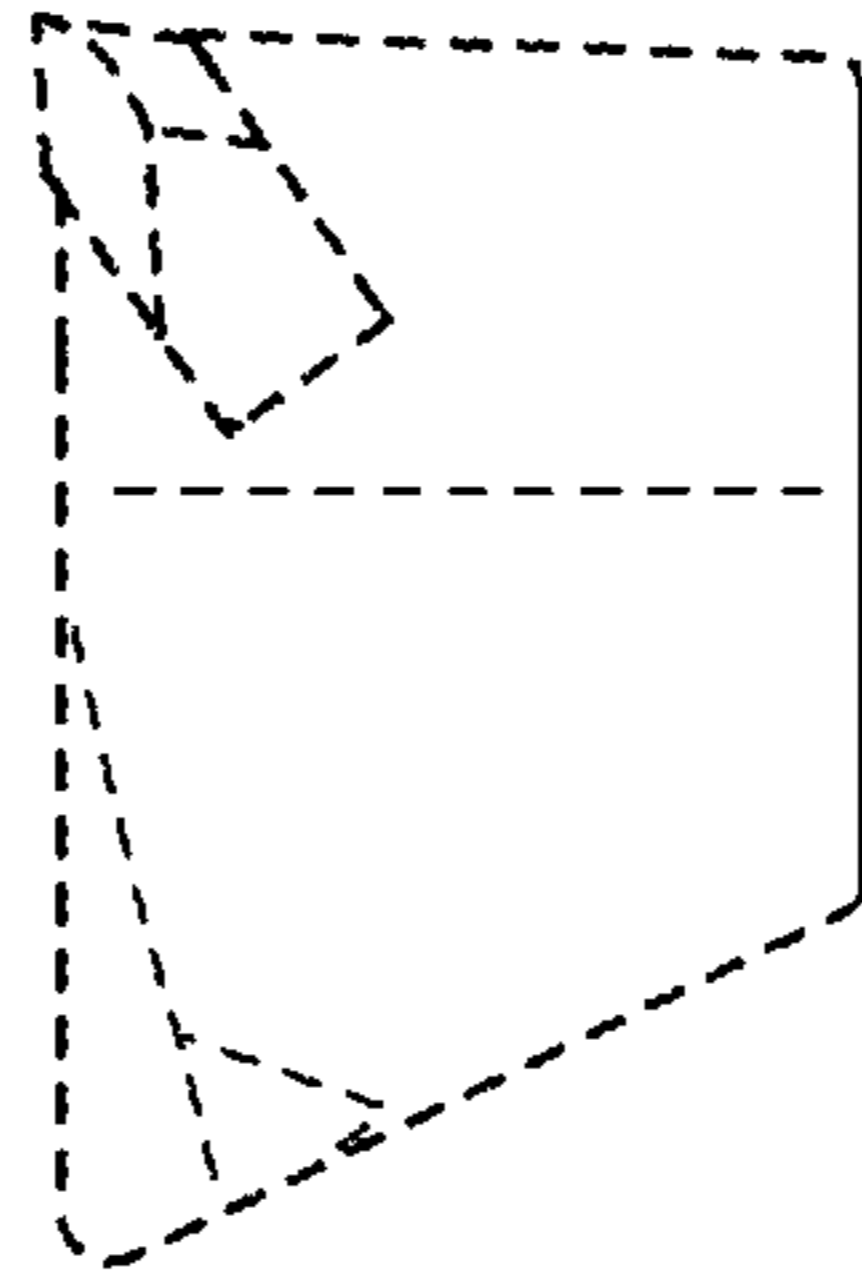


FIG. 6

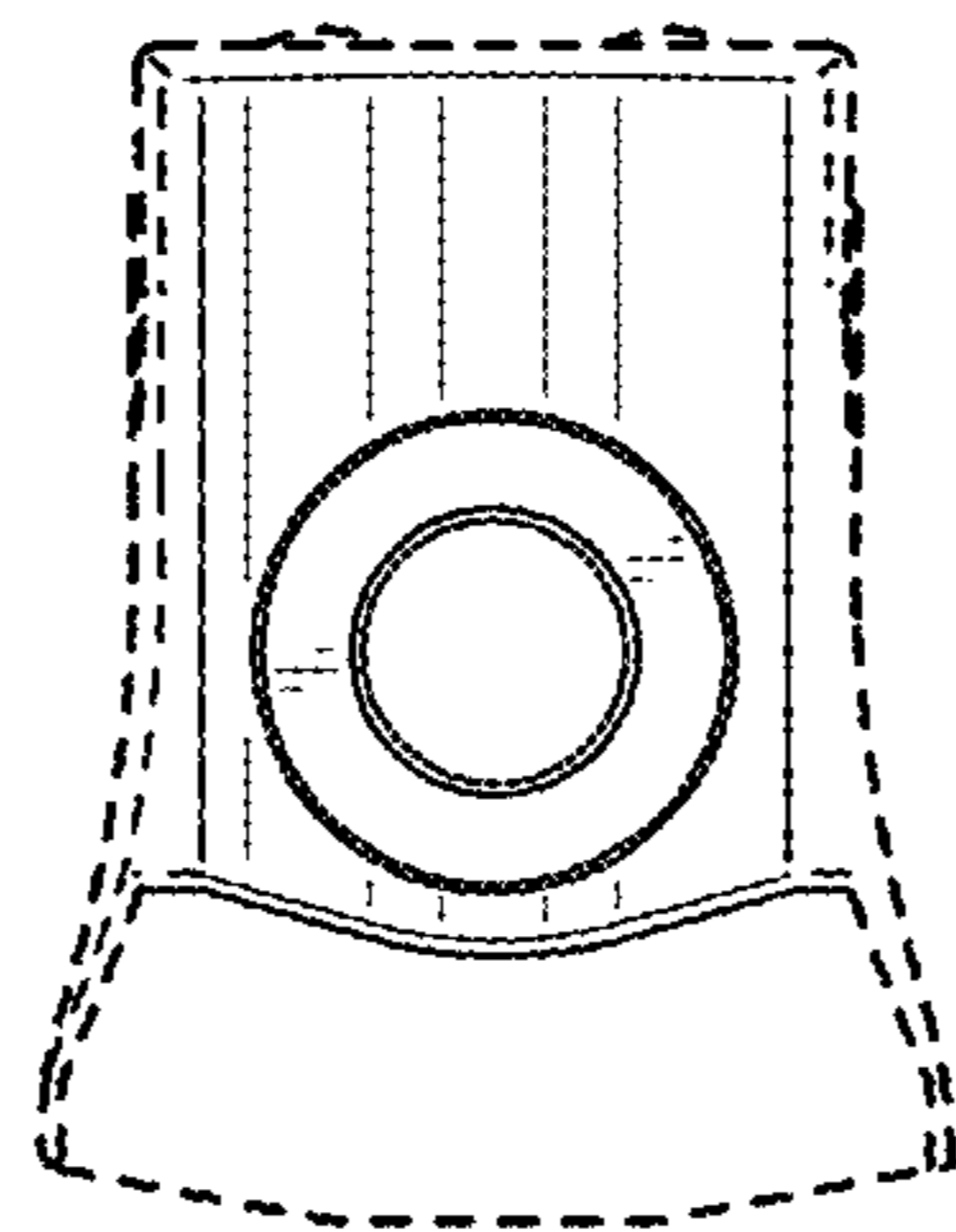


FIG. 7

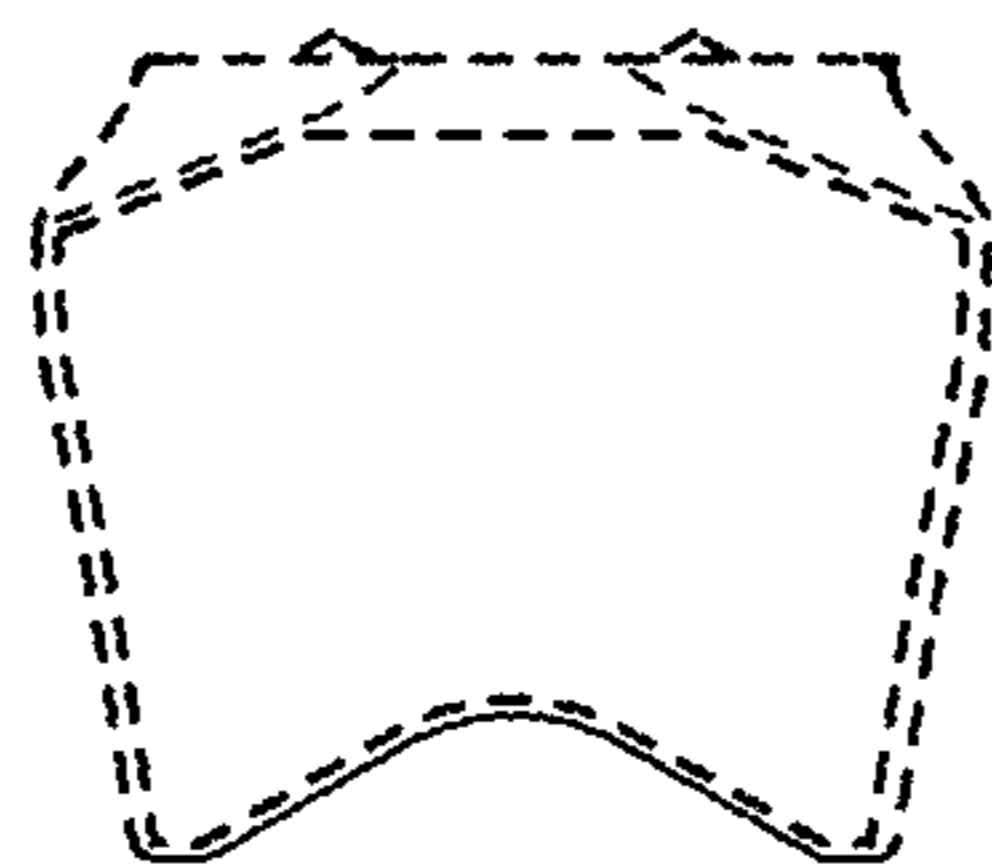


FIG. 8