



US00D757122S

(12) **United States Design Patent**
Banjo

(10) **Patent No.:** **US D757,122 S**
(45) **Date of Patent:** **** May 24, 2016**

- (54) **BRUSH MOWER**
- (71) Applicant: **Frictionless World LLC**, Westminster, CO (US)
- (72) Inventor: **Daniel Banjo**, Boulder, CO (US)
- (73) Assignee: **Frictionless World LLC**, Westminster, CO (US)
- (**) Term: **14 Years**
- (21) Appl. No.: **29/525,724**
- (22) Filed: **May 1, 2015**
- (51) **LOC (10) Cl.** **15-03**
- (52) **U.S. Cl.**
USPC **D15/14**
- (58) **Field of Classification Search**
USPC D15/10, 12, 14-17; 56/13.3, 13.4, 15.8, 56/15.9, 16.1, 16.7, 16.9, 17.4, 202, 255, 56/294, 320.1, 320.2
CPC F01P 11/00; F01P 11/12; A01D 2101/00; A01D 75/30; A01D 34/00; A01D 34/63; A01D 34/64; A01D 34/695
See application file for complete search history.

- D394,662 S * 5/1998 Grow D15/17
- D424,071 S * 5/2000 Bickford D15/17
- D435,564 S * 12/2000 Klasson D15/17
- D569,392 S 5/2008 Lonergan et al.
- D670,315 S * 11/2012 Fraley D15/14
- 2006/0201122 A1* 9/2006 Bishop A01D 75/30 56/15.6

OTHER PUBLICATIONS

Swisher Mower and Machine Co., 44" Pull-Behind Trailcutter, http://web.archive.org/web/20030609135902/http://swisherinc.com/44_trailcutter.html, Jun. 9, 2003.

(Continued)

Primary Examiner — Mark Goodwin

(74) *Attorney, Agent, or Firm* — Marsh Fischmann & Breyfogle LLP; Jonathan A. Szumny

(57) **CLAIM**

The ornamental design for a “brush mower,” as shown and described.

DESCRIPTION

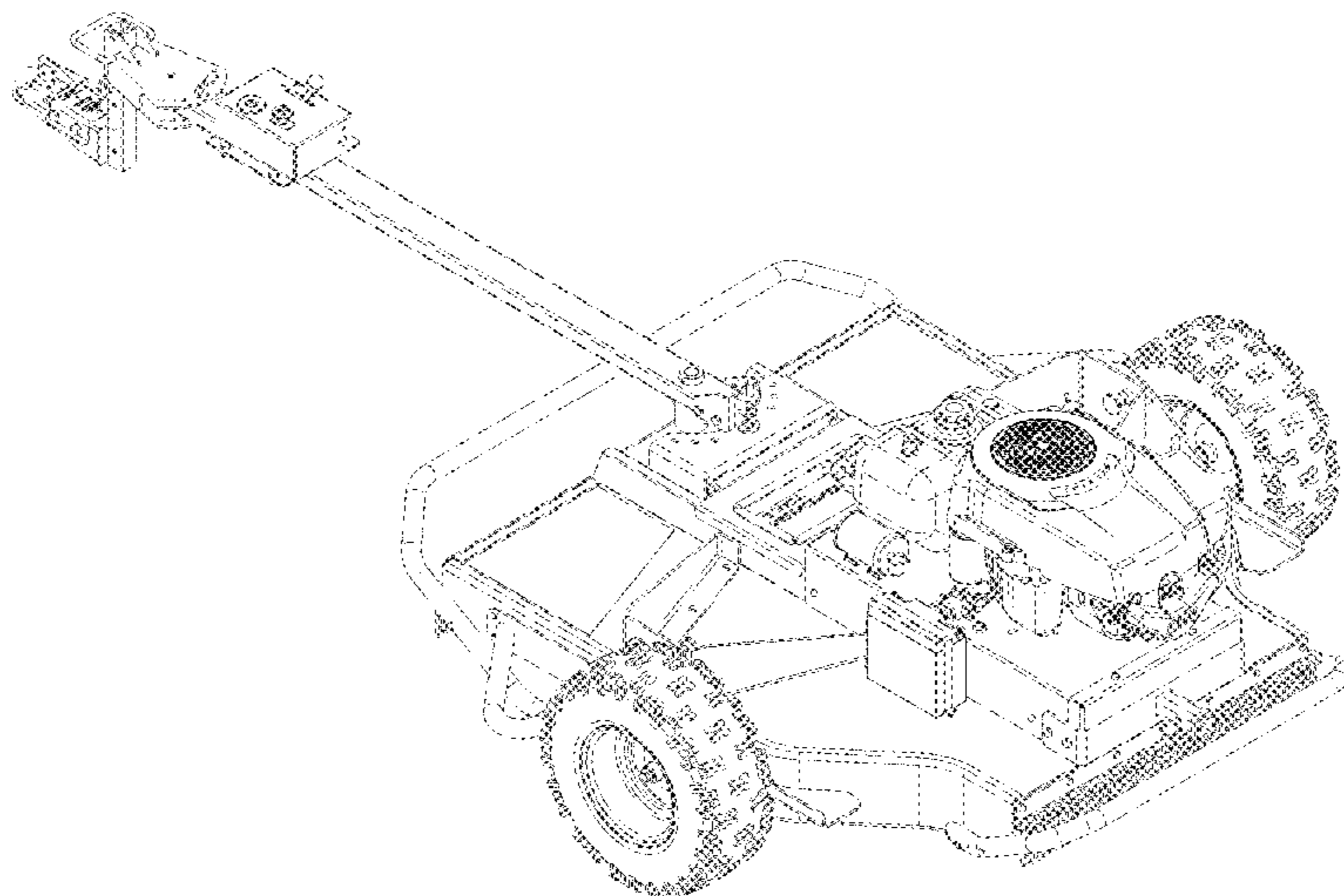
FIG. 1 is a front perspective view of the brush mower showing my new design.
 FIG. 2 is another front perspective view of the brush mower of FIG. 1.
 FIG. 3 is a rear perspective view of the brush mower of FIG. 1.
 FIG. 4 is another rear perspective view of the brush mower of FIG. 1.
 FIG. 5 is a front view of the brush mower of FIG. 1.
 FIG. 6 is a right side view of the brush mower of FIG. 1.
 FIG. 7 is a rear view of the brush mower of FIG. 1.
 FIG. 8 is a left side view of the brush mower of FIG. 1.
 FIG. 9 is a top view of the brush mower of FIG. 1; and,
 FIG. 10 is a bottom view of the brush mower of FIG. 1.

1 Claim, 10 Drawing Sheets

(56) **References Cited**

U.S. PATENT DOCUMENTS

- 2,592,991 A 4/1952 Yeager et al.
- 2,706,879 A 4/1955 Barrentine
- 3,177,639 A 4/1965 Hardee
- D227,498 S * 6/1973 McCanse et al. D15/14
- D271,398 S * 11/1983 McCanse D15/27
- D285,080 S * 8/1986 Klein D15/27
- D316,101 S * 4/1991 McCanse D15/27
- D344,738 S * 3/1994 Young D15/27
- D345,168 S * 3/1994 Cook D15/17



(56)

References Cited

OTHER PUBLICATIONS

Swisher Mower and Machine Co., T-44 Trailmower, http://web.archive.org/web/20030610194740/http://swisherinc.com/t44_trailmower.html, Jun. 10, 2003.

Kunz Engineering Inc., AcreEase Rough Cut Mower, <http://web.archive.org/web/20011126072817/http://kunuzeng.com/productpage.htm>, Nov. 26, 2001.

Kunz Engineering Inc., AcreEase Finish Cut Mower, <http://web.archive.org/web/20011126072817/http://kunuzeng.com/productpage.htm>, Nov. 26, 2001.

Swisher Mower and Machine Co., T-60 Trailmower, http://web.archive.org/web/20030529053227/http://swisherinc.com/t60_trailmower.html, May 29, 2003.

* cited by examiner

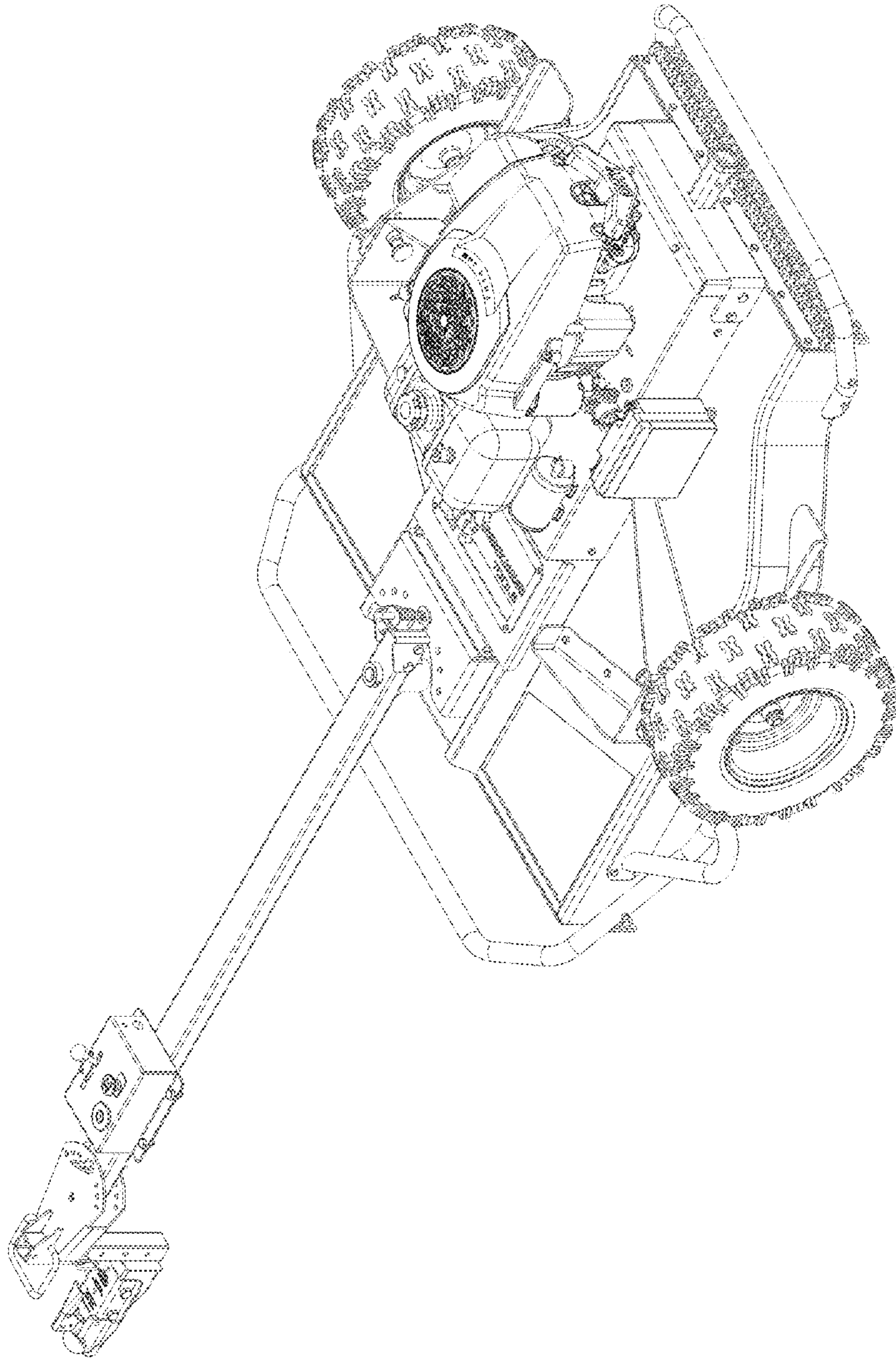


Fig. 1

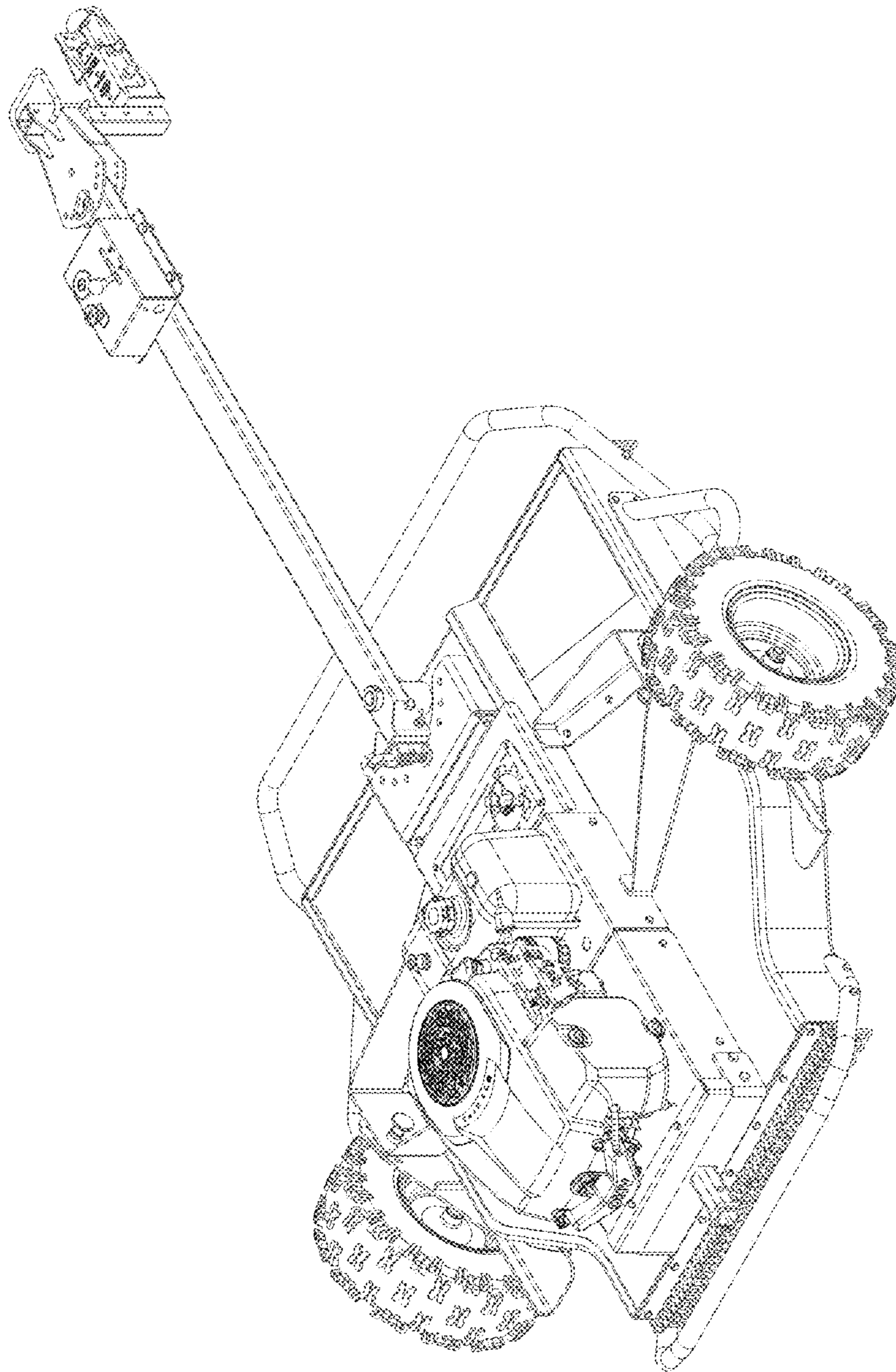


Fig. 2

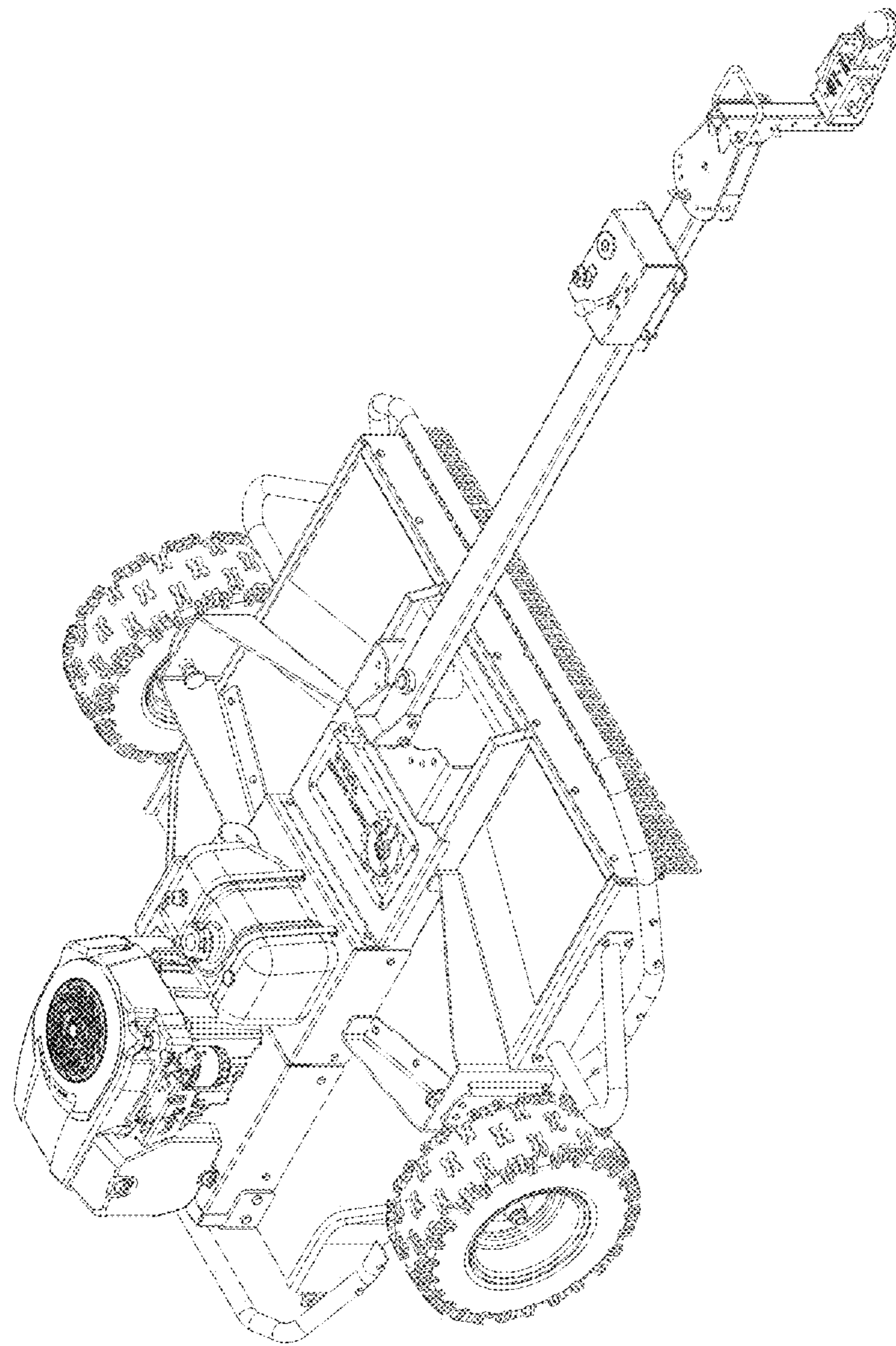


Fig. 3

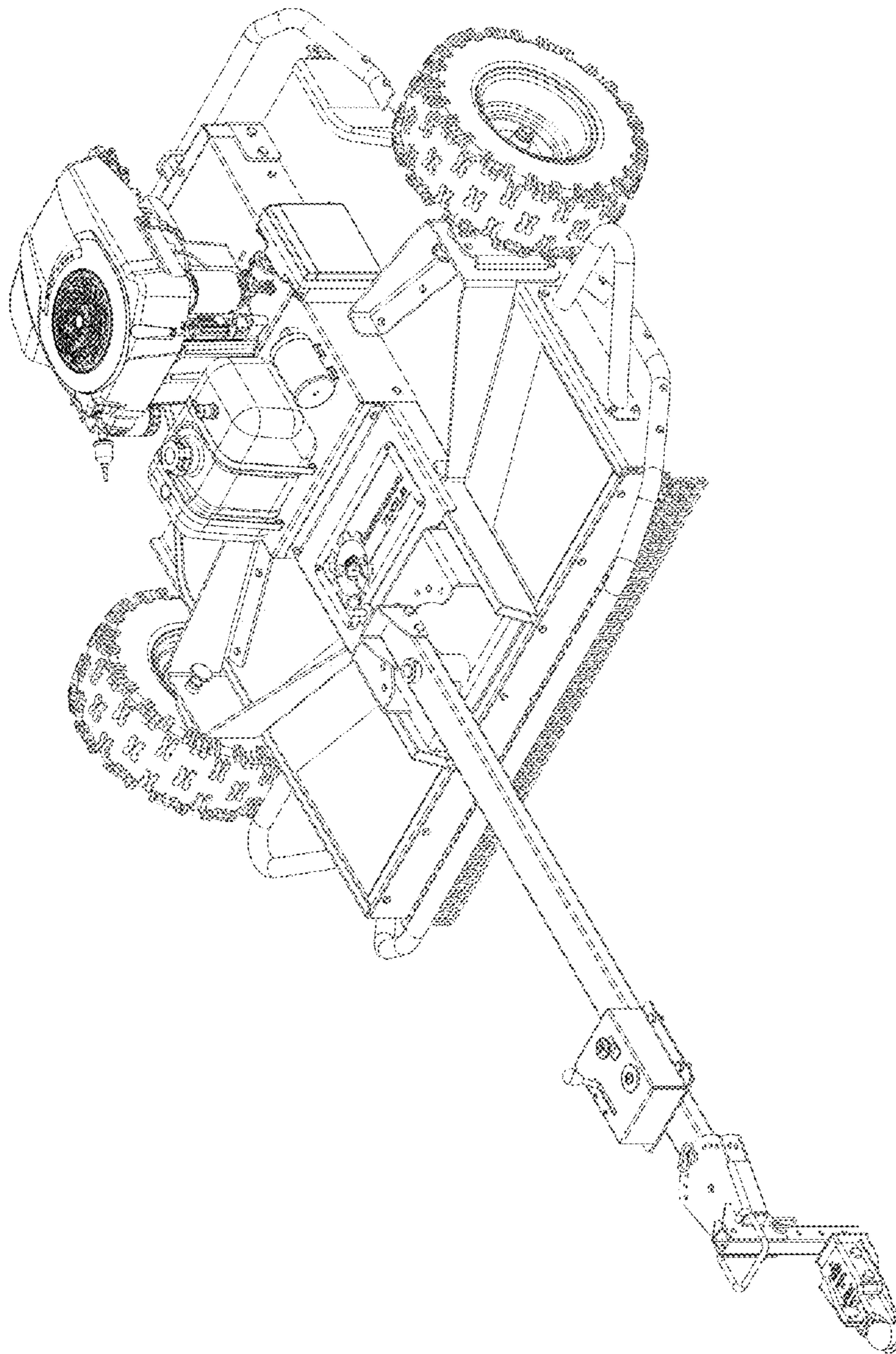


Fig. 4

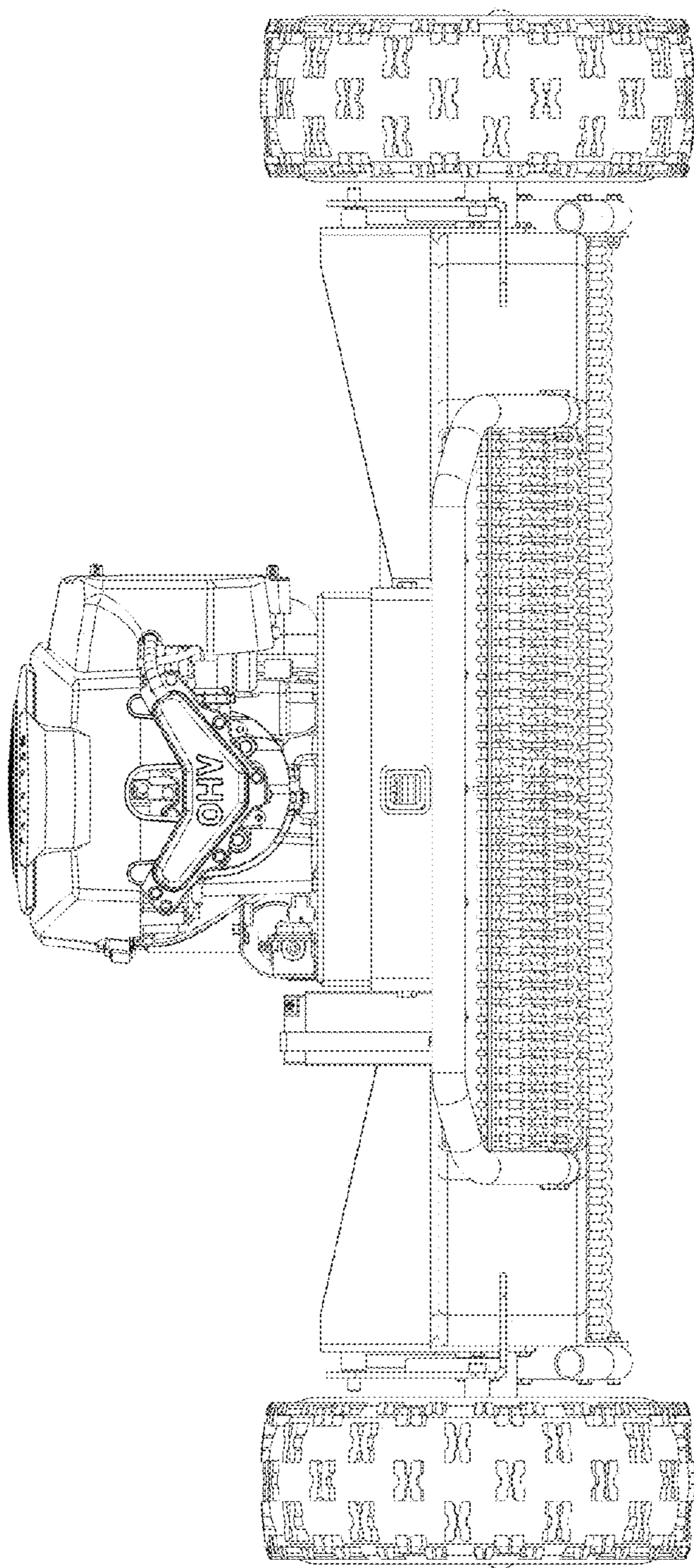


Fig. 5

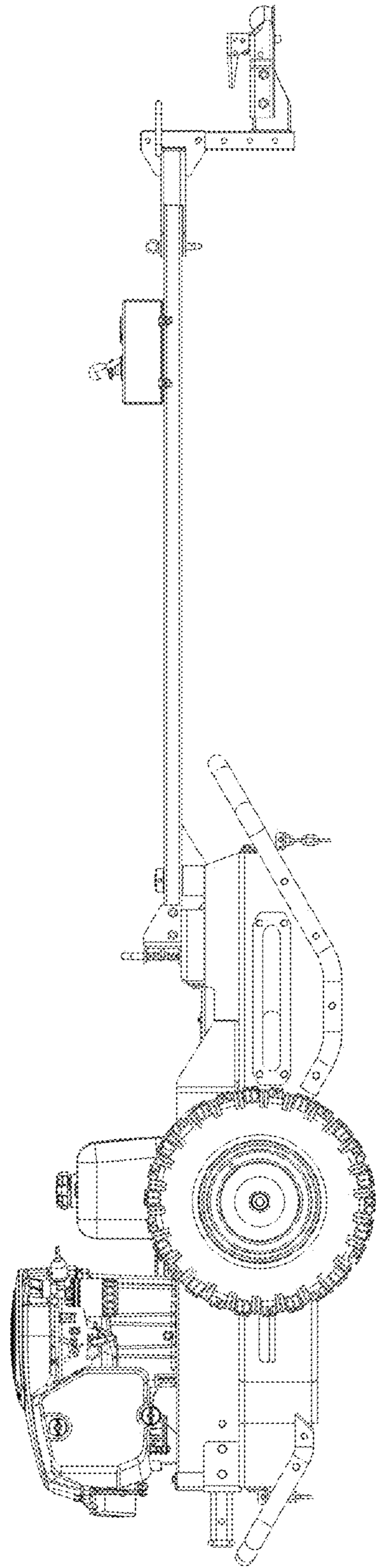


Fig. 6

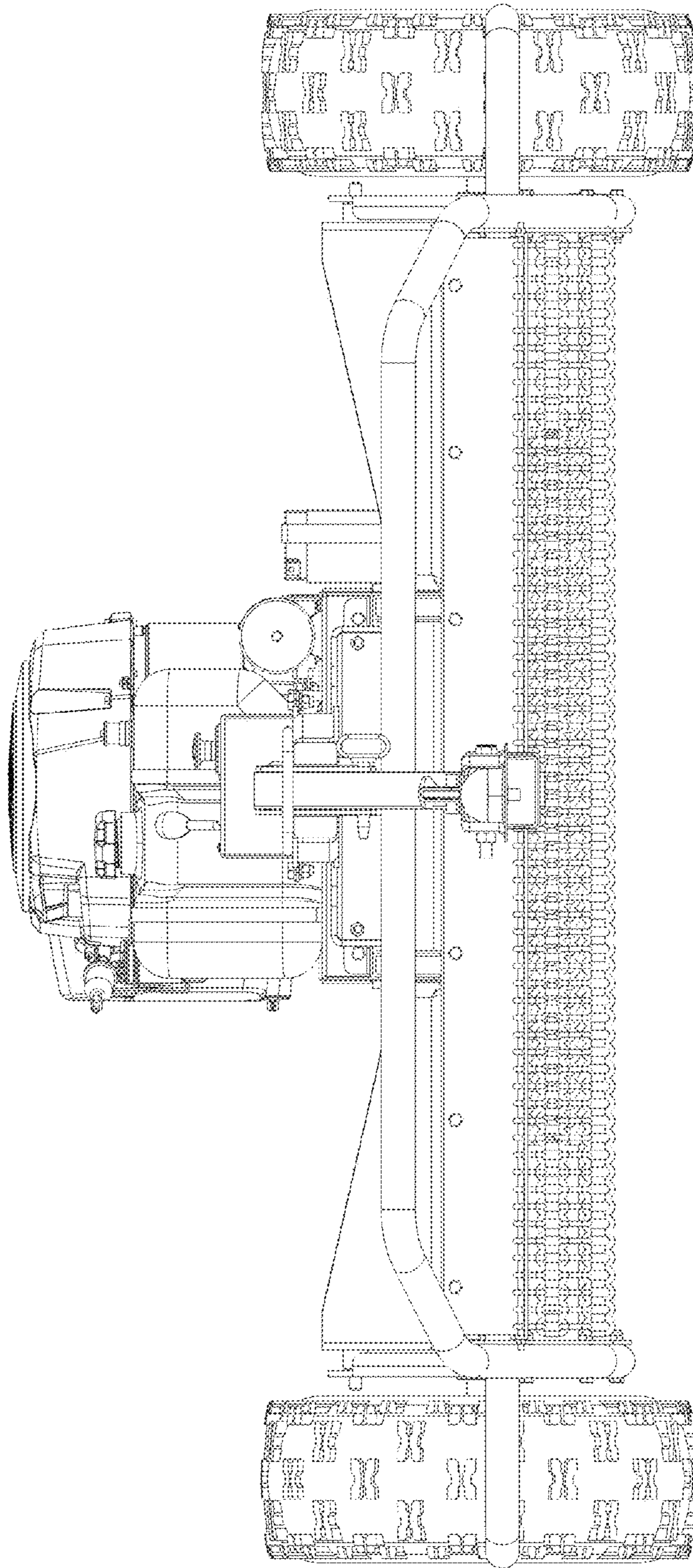


Fig. 7

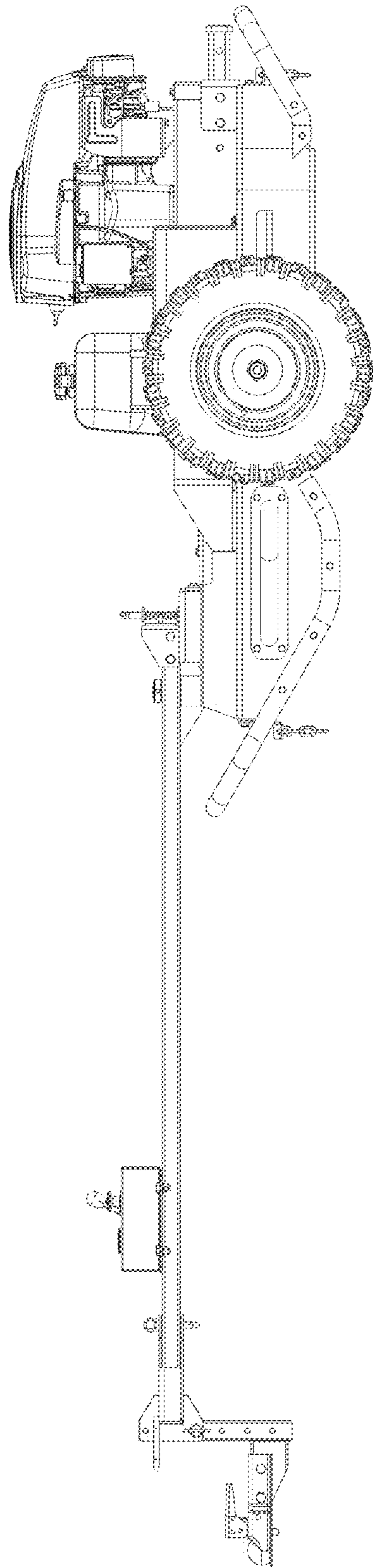


Fig. 8

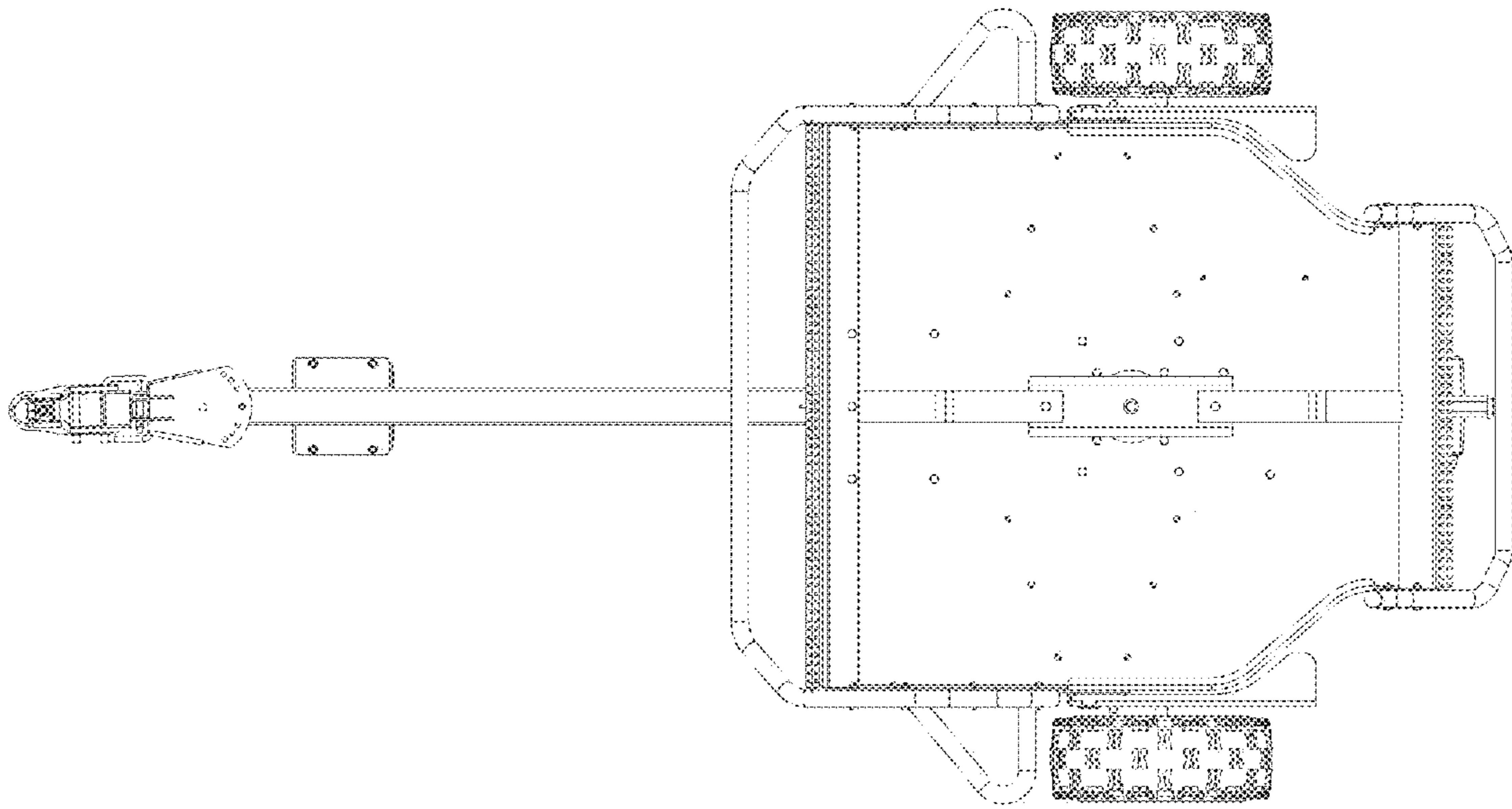


Fig. 9

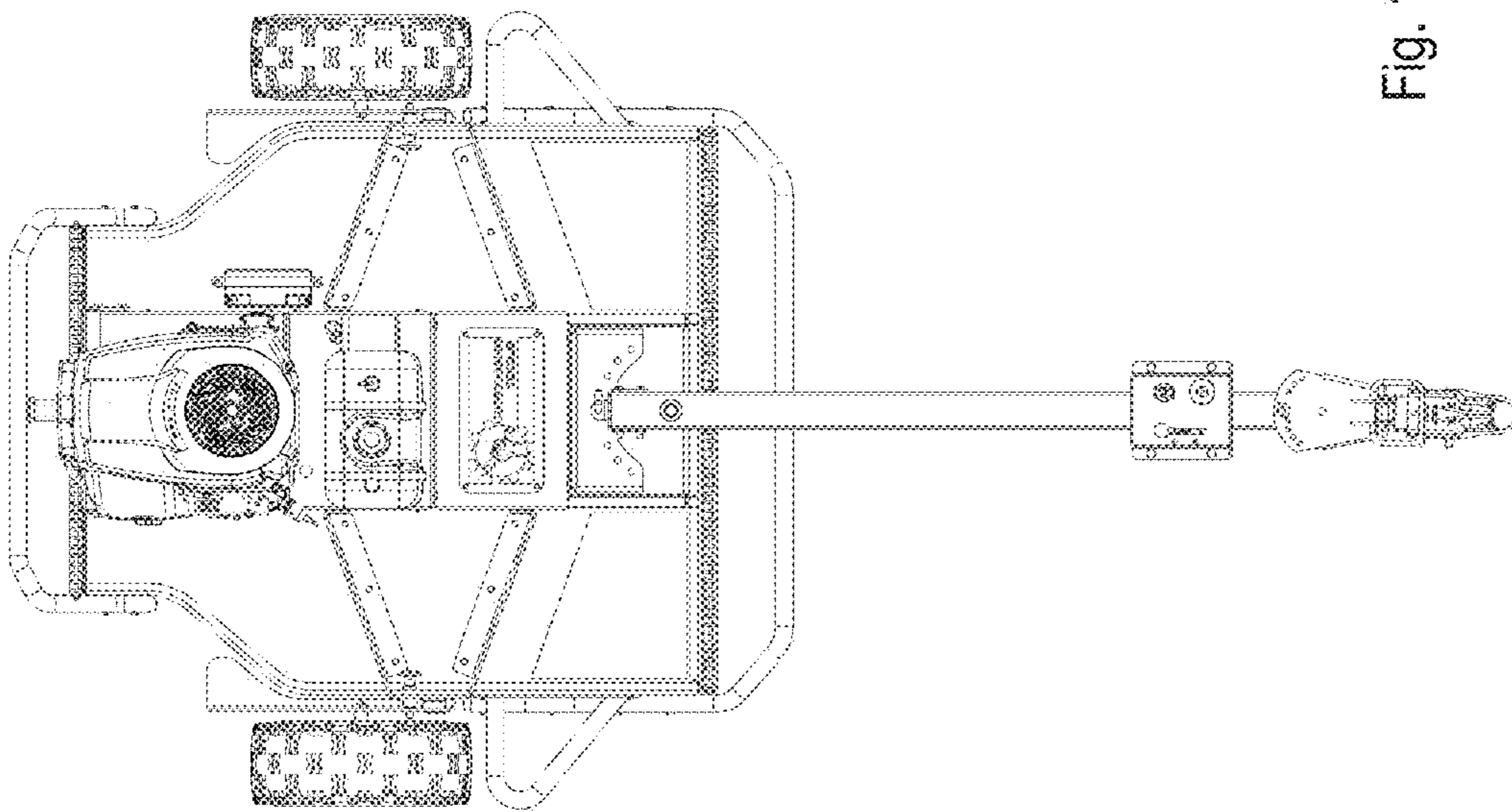


Fig. 10