



US00D757121S

(12) **United States Design Patent**
Banjo

(10) **Patent No.:** **US D757,121 S**
(45) **Date of Patent:** **** May 24, 2016**

(54) **WALK BEHIND STRING TRIMMER**

6,363,616 B1 4/2002 Kreissle
6,854,248 B2* 2/2005 Kaesgen F01P 11/12
56/12.7

(71) Applicant: **Frictionless World LLC**, Westminster,
CO (US)

7,603,782 B2 10/2009 Jerez
7,743,511 B2 6/2010 Jerez
2015/0107118 A1* 4/2015 Banjo A01D 34/4168
30/276

(72) Inventor: **Daniel Banjo**, Boulder, CO (US)

(73) Assignee: **Frictionless World LLC**, Westminster,
CO (US)

FOREIGN PATENT DOCUMENTS

(**) Term: **14 Years**

EP 1101396 B1 10/2005

(21) Appl. No.: **29/524,708**

* cited by examiner

(22) Filed: **Apr. 22, 2015**

Primary Examiner — Mark Goodwin

(51) **LOC (10) Cl.** **15-03**

(74) *Attorney, Agent, or Firm* — Marsh Fischmann &
Breyfogle LLP; Jonathon A. Szumny

(52) **U.S. Cl.**
USPC **D15/14**

(58) **Field of Classification Search**
USPC D15/10, 12, 14–17; 56/13.3, 13.4, 15.8,
56/15.9, 16.1, 16.7, 16.9, 17.4, 202, 255,
56/294, 320.1, 320.2
CPC F01P 11/00; F01P 11/12; A01D 2101/00
See application file for complete search history.

(57) **CLAIM**
The ornamental design for a “walk behind string trimmer,” as
shown and described.

DESCRIPTION

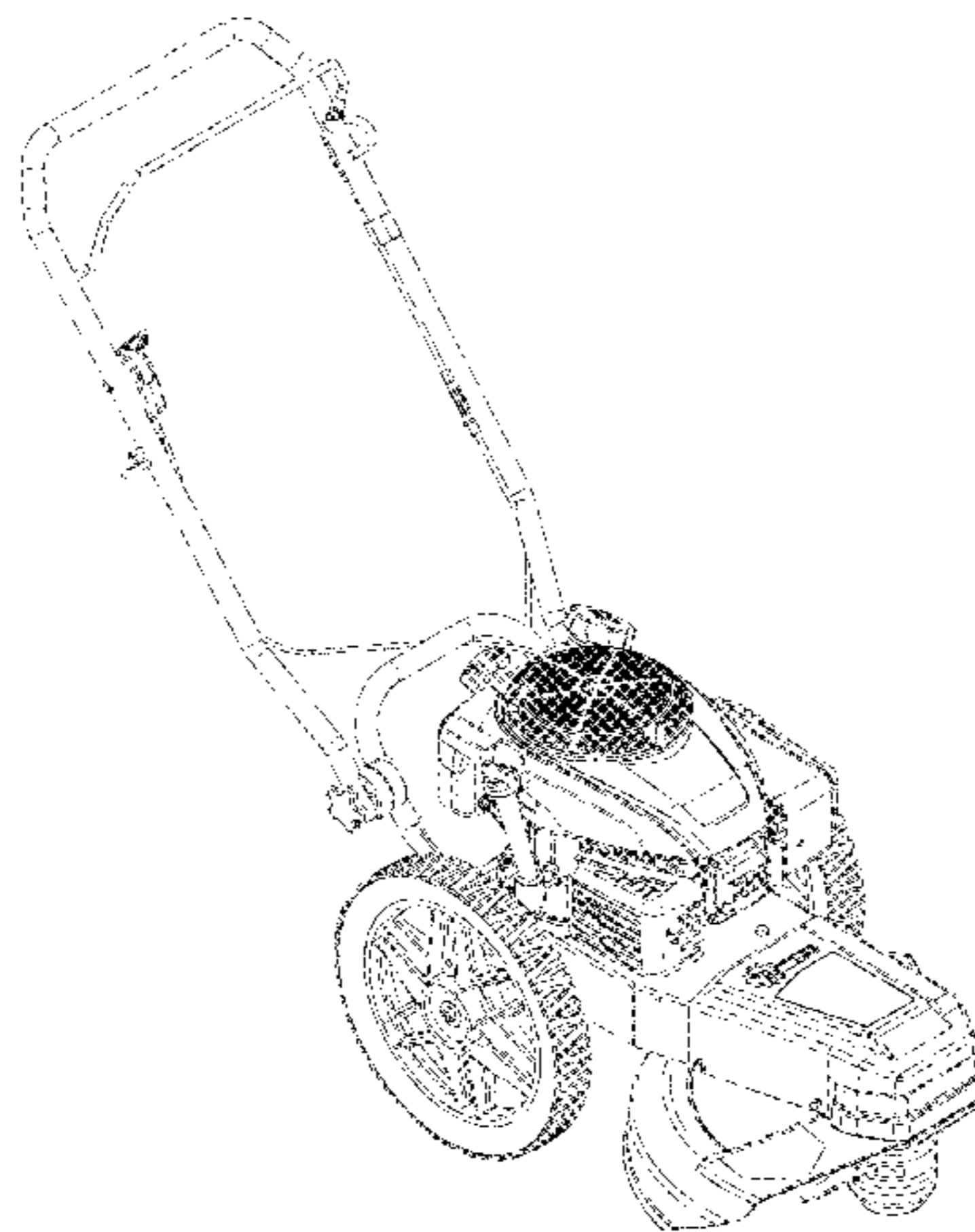
(56) **References Cited**

U.S. PATENT DOCUMENTS

- 3,971,196 A * 7/1976 Stevenson A01D 34/63
56/17.1
- 4,112,656 A * 9/1978 Ranko A01D 34/412
56/16.9
- D285,079 S * 8/1986 Huthmacher D15/14
- 5,313,770 A * 5/1994 Smothers A01D 34/416
30/276
- 5,577,374 A * 11/1996 Huston A01D 34/84
56/12.1
- 5,862,655 A * 1/1999 Altamirano A01D 34/001
56/12.1
- D415,503 S * 10/1999 Eavenson D15/14
- D417,458 S * 12/1999 Waibel D15/14
- 6,003,292 A * 12/1999 Waibel A01D 34/001
56/16.7
- D423,018 S * 4/2000 Crosby D15/14
- 6,256,970 B1 * 7/2001 Fleener A01D 34/84
56/12.1
- D449,622 S * 10/2001 Csonka D15/14

FIG. 1 is a front perspective view of the walk behind string trimmer.
 FIG. 2 is another front perspective view of the walk behind string trimmer of FIG. 1.
 FIG. 3 is a rear perspective view of the walk behind string trimmer of FIG. 1.
 FIG. 4 is another rear perspective view of the walk behind string trimmer of FIG. 1.
 FIG. 5 is a front view of the walk behind string trimmer of FIG. 1.
 FIG. 6 is a right side view of the walk behind string trimmer of FIG. 1.
 FIG. 7 is a rear view of the walk behind string trimmer of FIG. 1.
 FIG. 8 is a left side view of the walk behind string trimmer of FIG. 1.
 FIG. 9 is a top view of the walk behind string trimmer of FIG. 1; and,
 FIG. 10 is a bottom view of the walk behind string trimmer of FIG. 1.

1 Claim, 10 Drawing Sheets



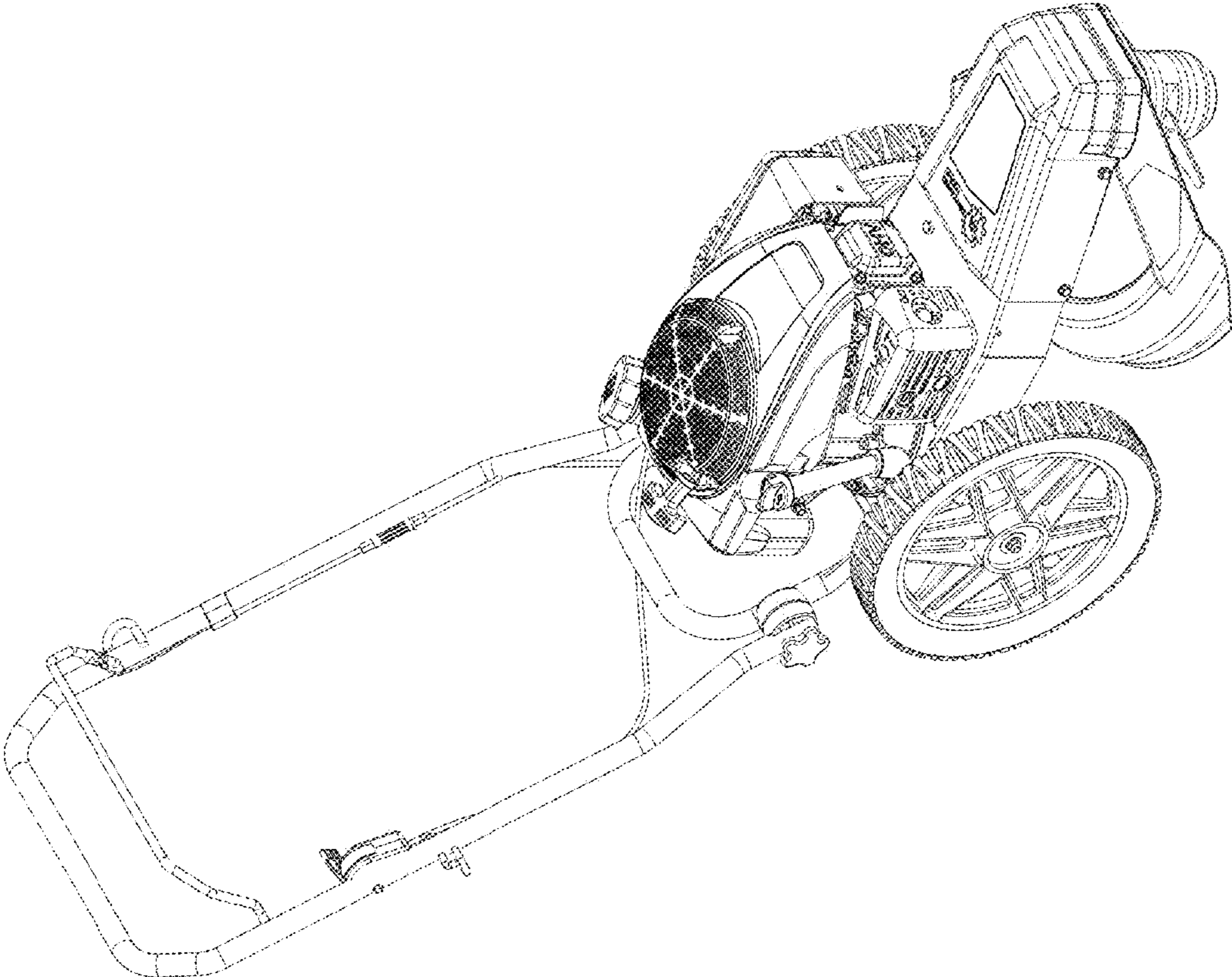


FIG. 1

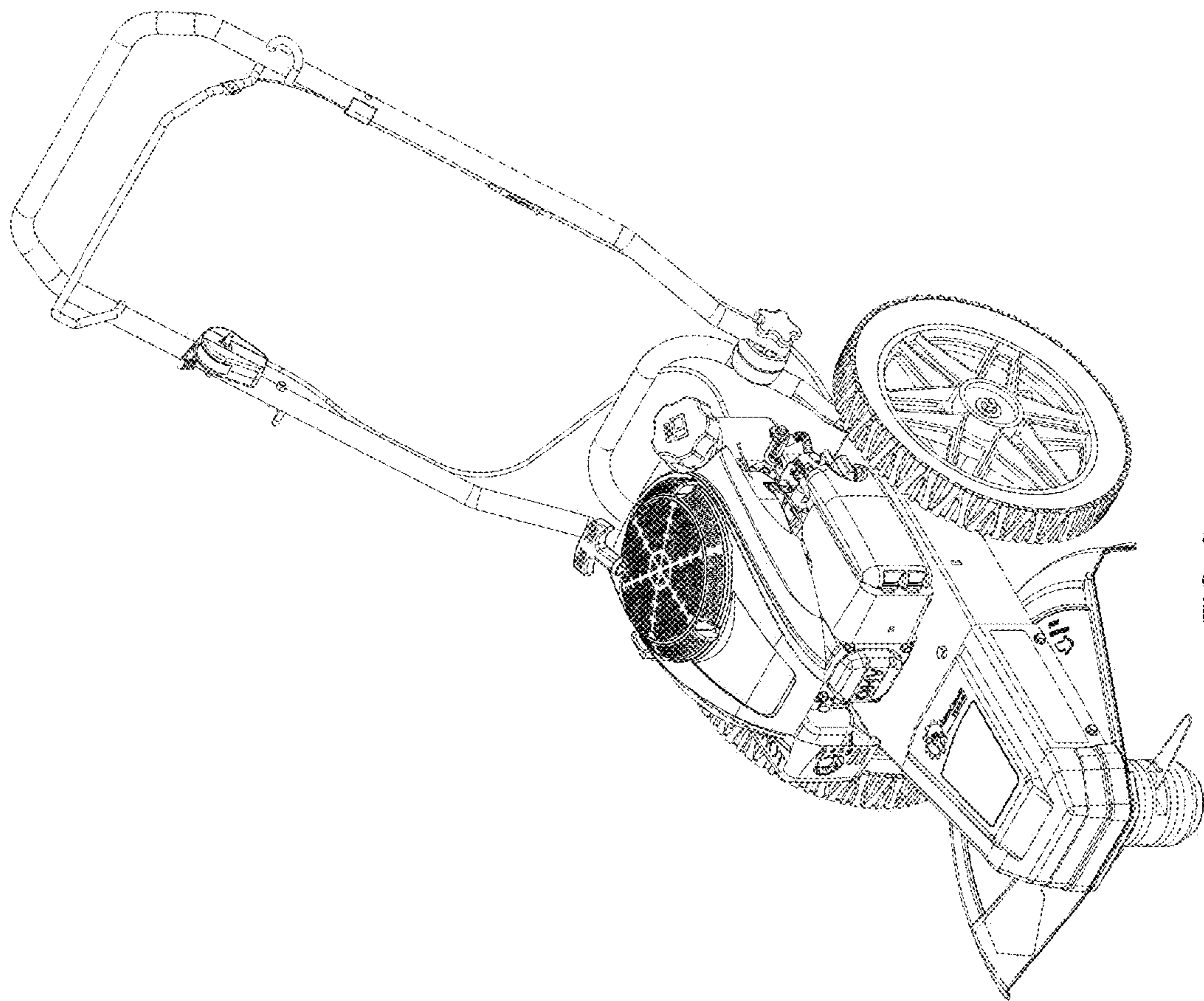


FIG. 2

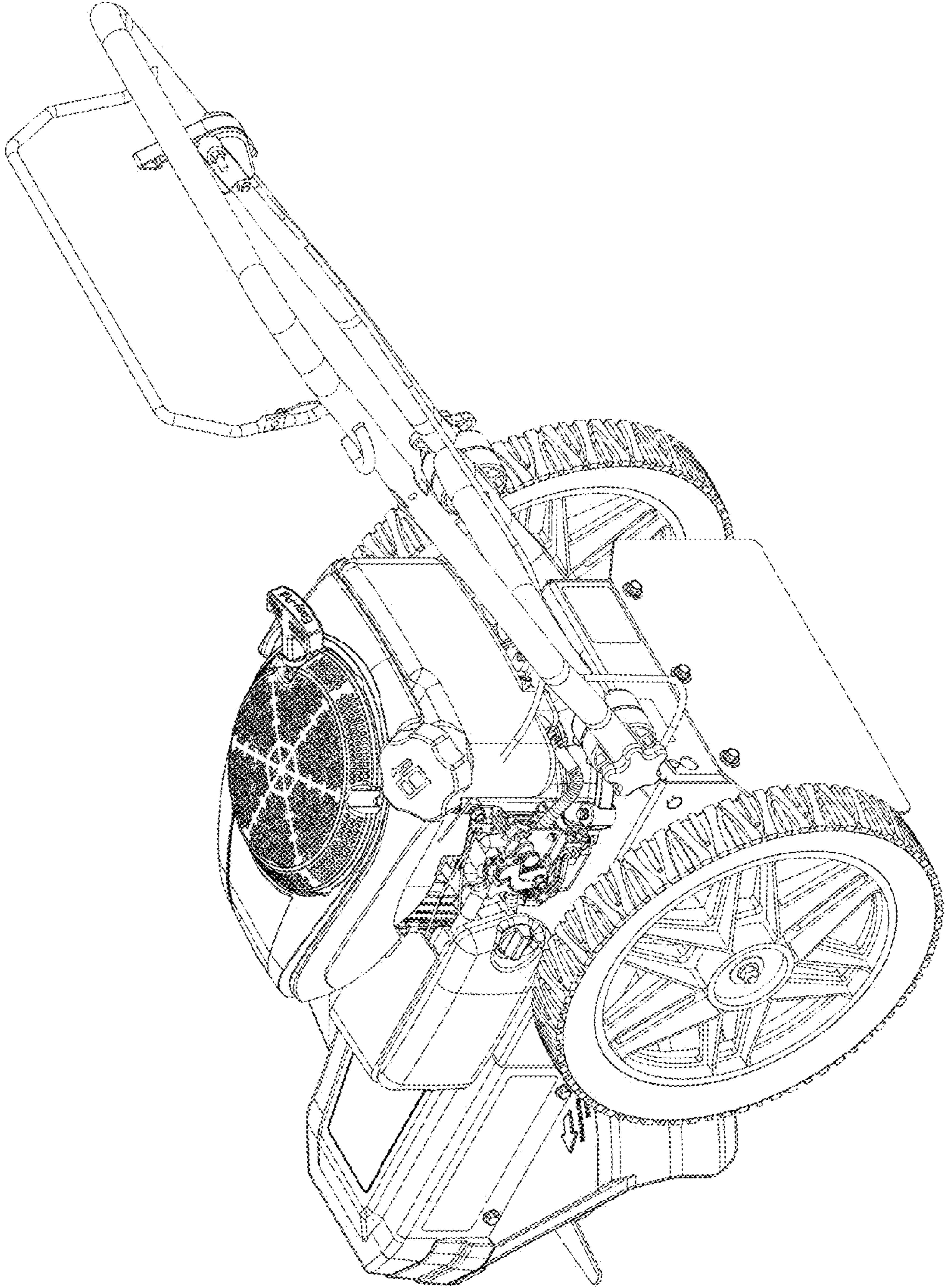


FIG. 3

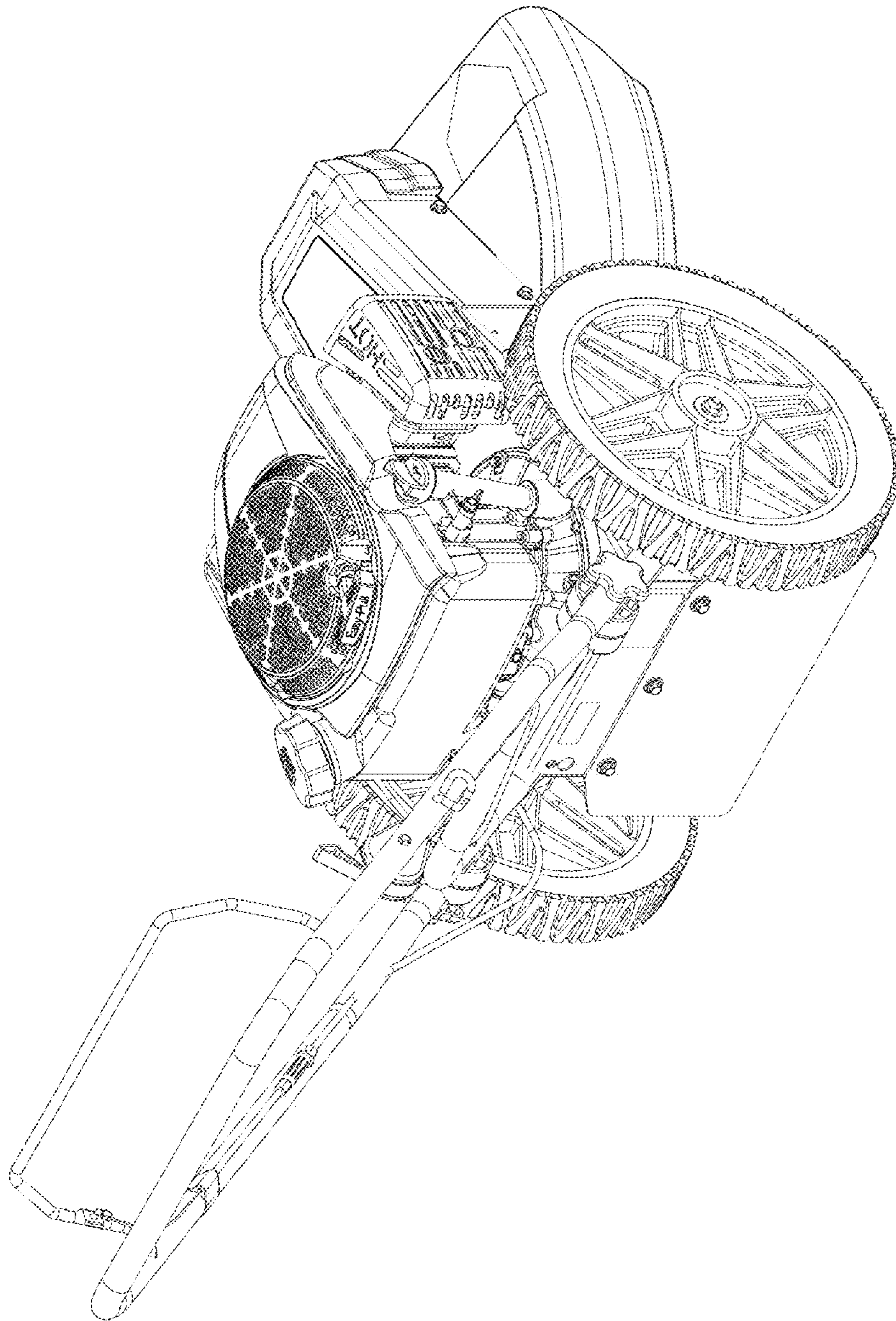


FIG. 4

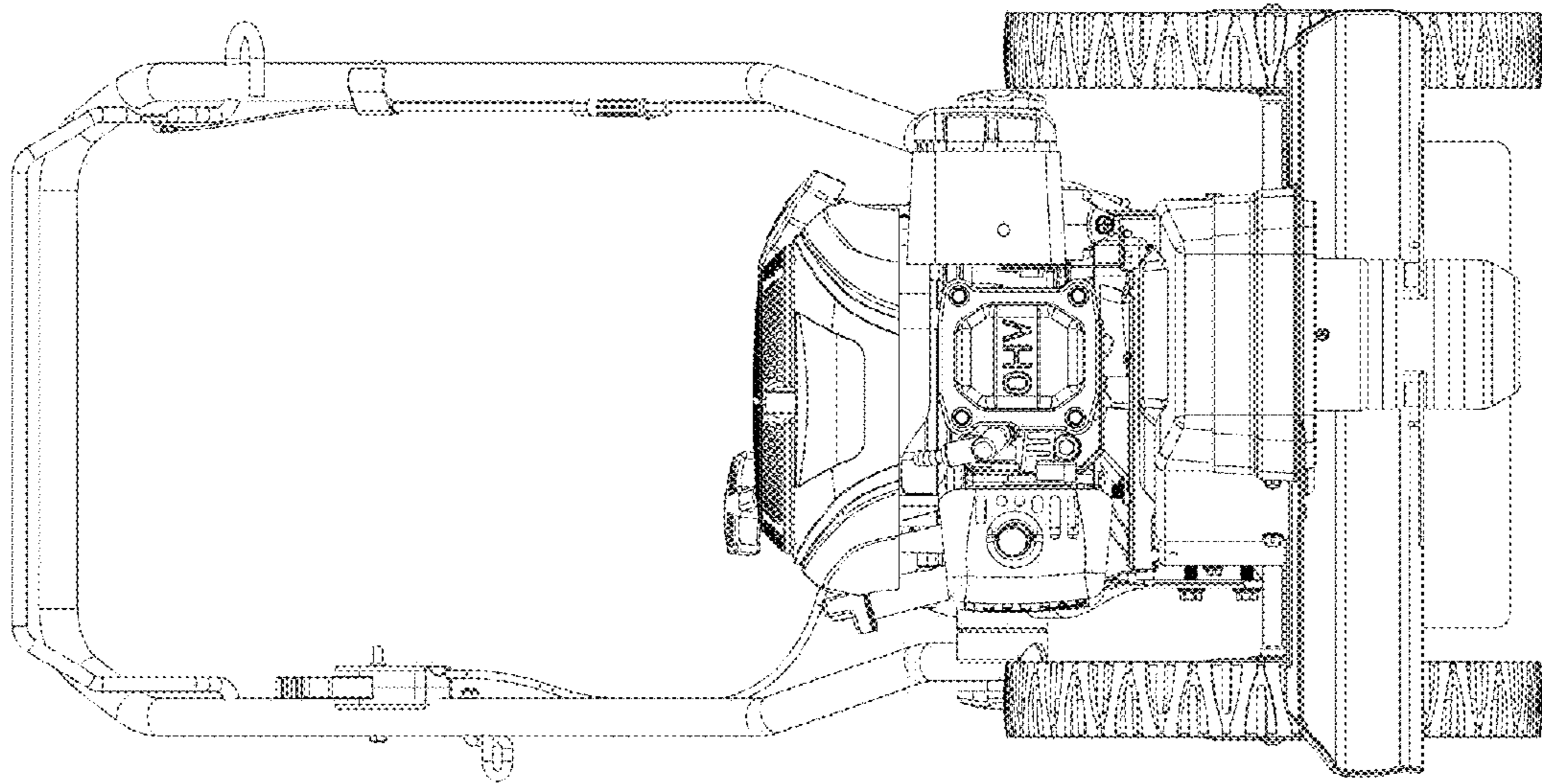


FIG. 5

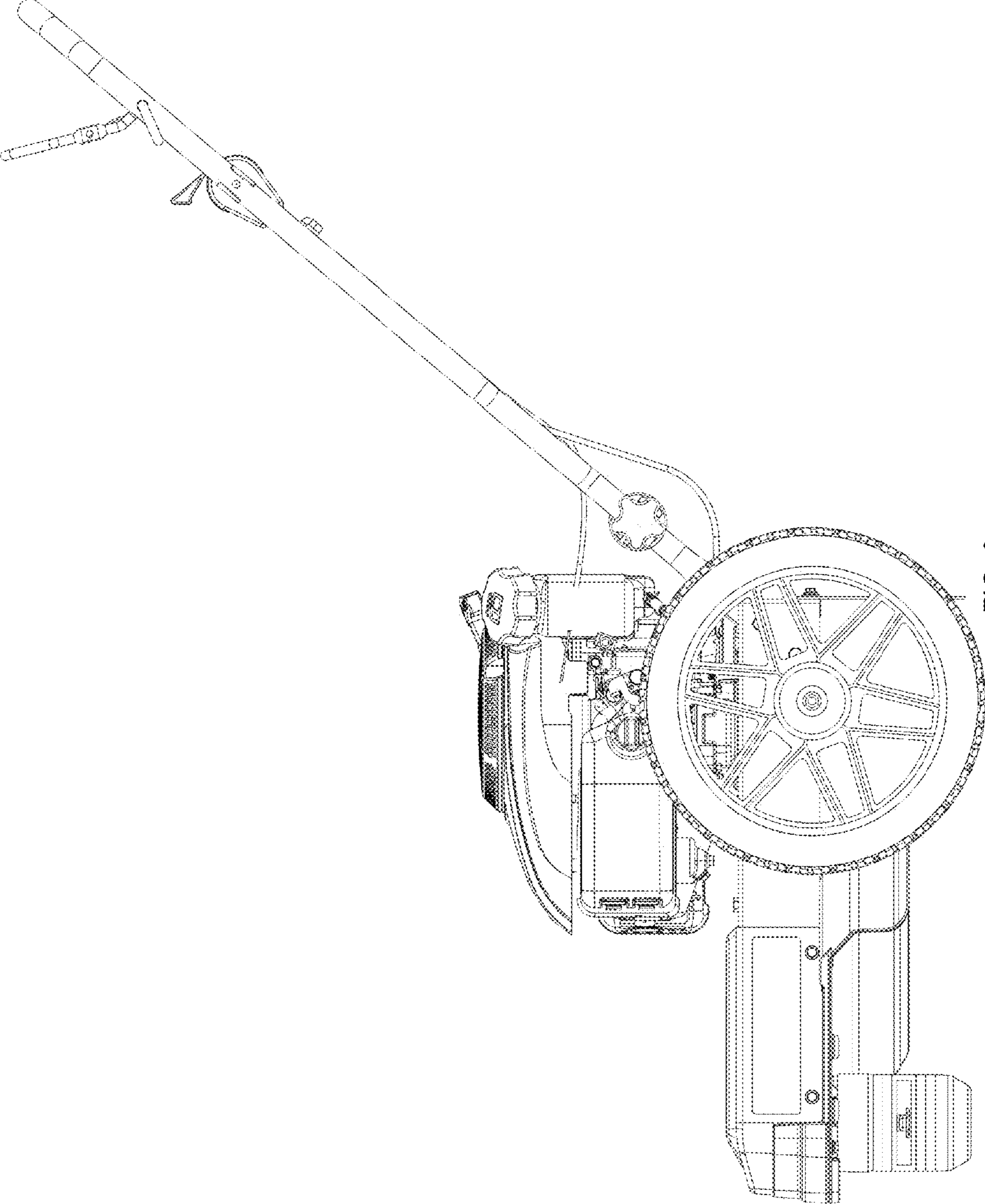


FIG. 6

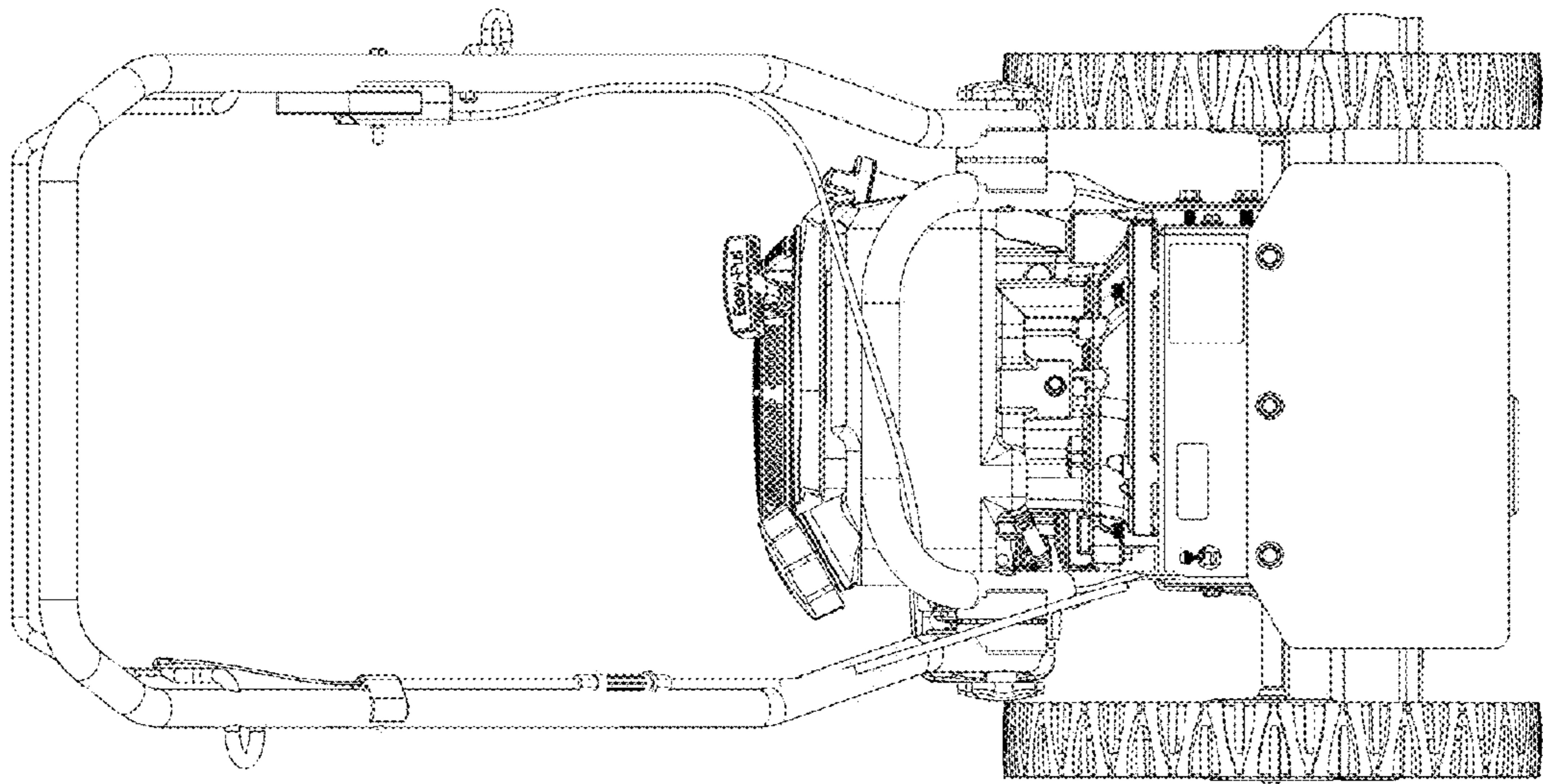


FIG. 7

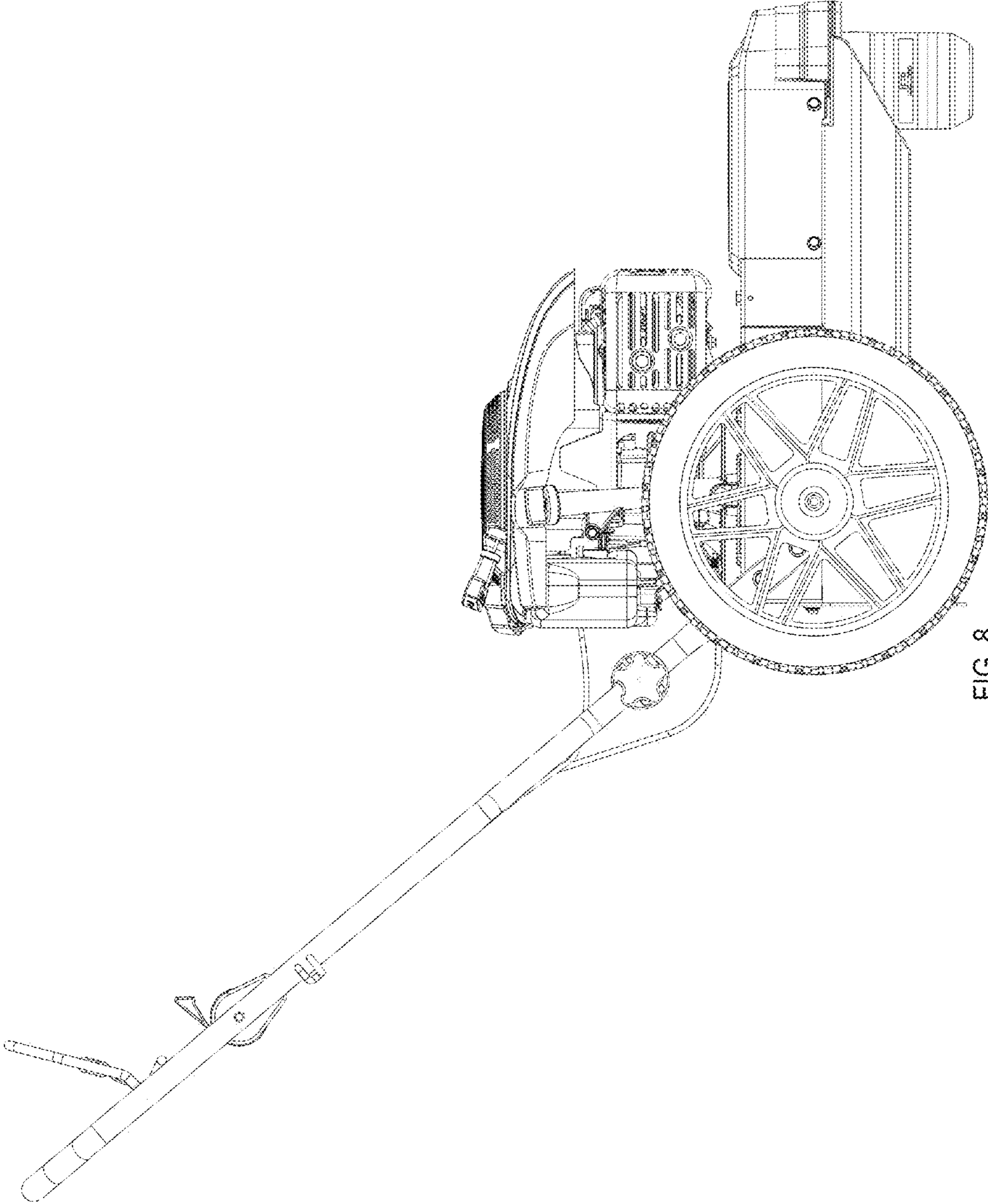


FIG. 8

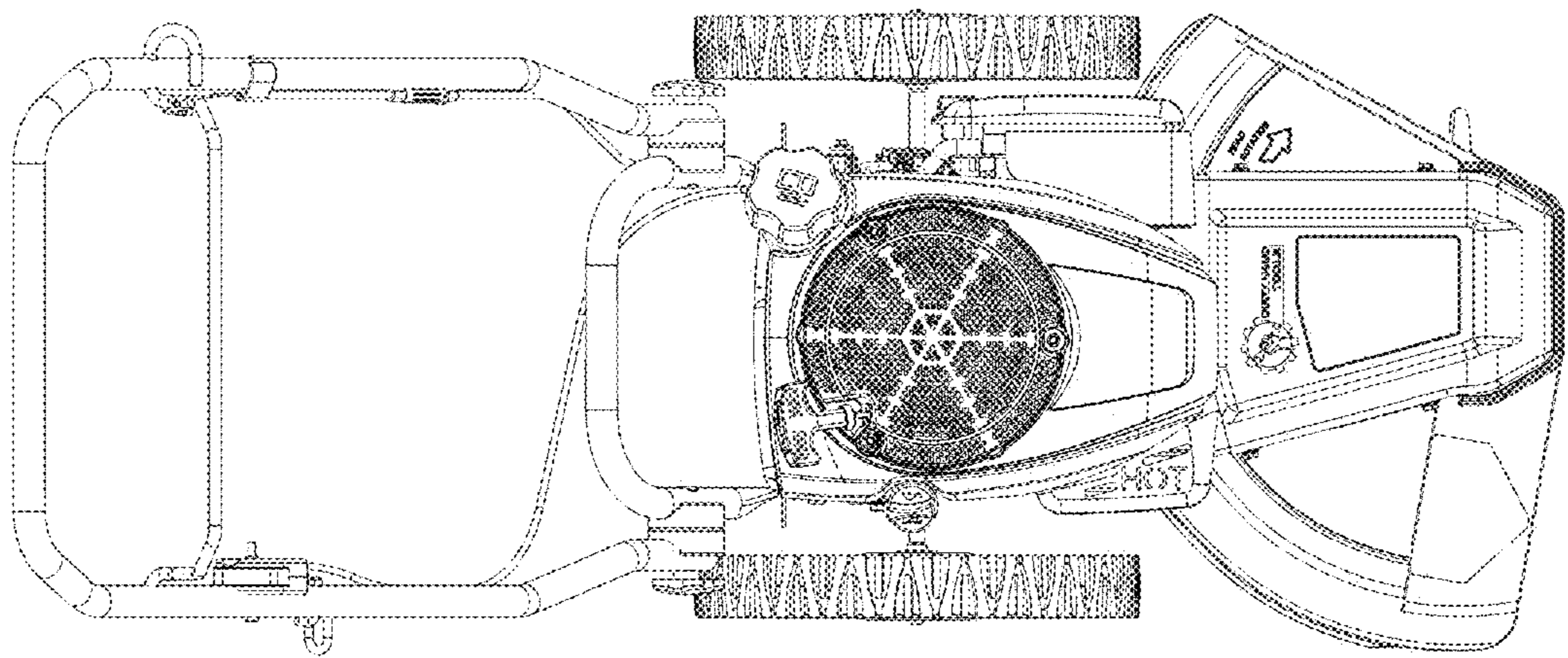


FIG. 9

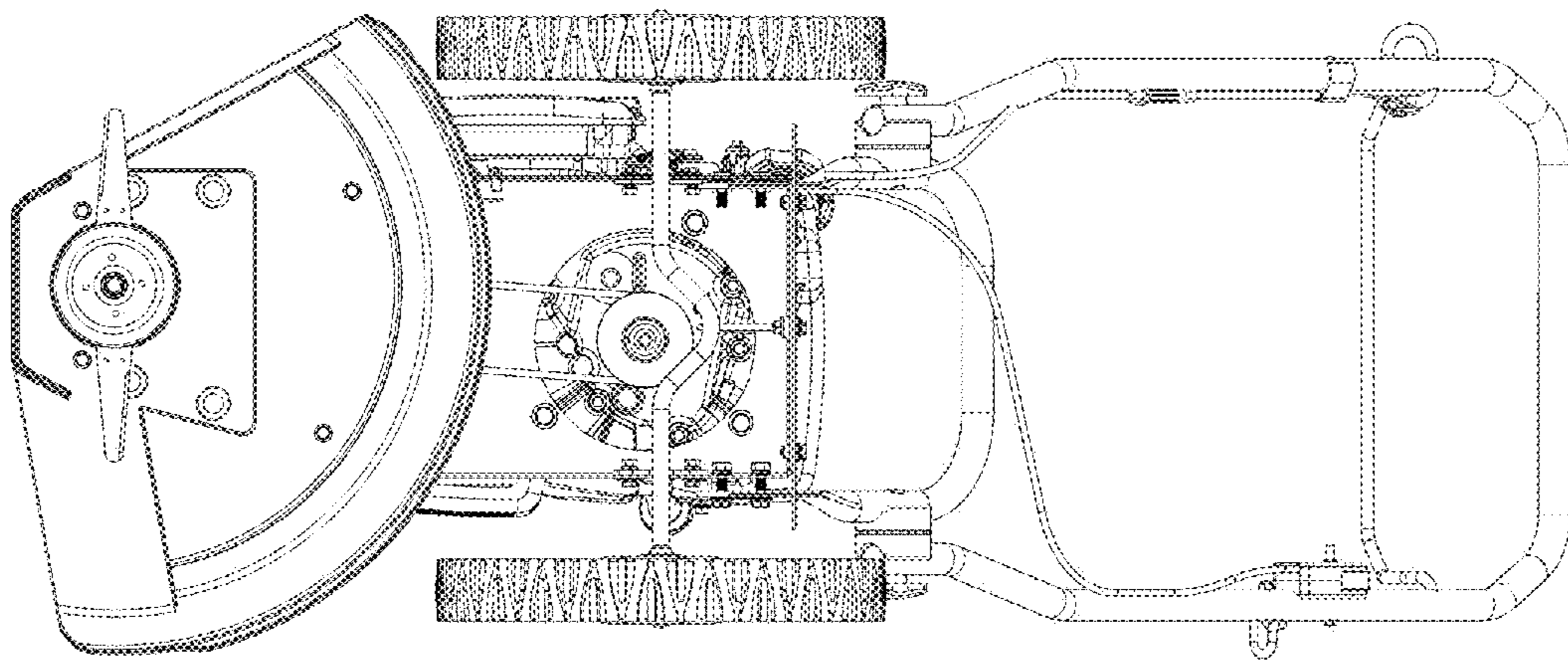


FIG. 10