



US00D757118S

(12) **United States Design Patent**
Inoue

(10) **Patent No.:** **US D757,118 S**

(45) **Date of Patent:** **** May 24, 2016**

(54) **ENGINE**

(71) Applicant: **Kubota Corporation**, Osaka-shi (JP)

(72) Inventor: **Hiroshi Inoue**, Sakai (JP)

(73) Assignee: **Kubota Corporation**, Osaka (JP)

(**) Term: **14 Years**

(21) Appl. No.: **29/483,338**

(22) Filed: **Feb. 27, 2014**

(30) **Foreign Application Priority Data**

Nov. 27, 2013 (JP) 2013-027771

(51) **LOC (10) Cl.** **15-01**

(52) **U.S. Cl.**
USPC **D15/5**

(58) **Field of Classification Search**
USPC D15/1-6; D12/400; 123/635, 195 C,
123/903.38
CPC ... F02M 23/003; F02M 25/089; F02M 25/00;
F02M 23/00; F17C 11/007
See application file for complete search history.

(56) **References Cited**

U.S. PATENT DOCUMENTS

| | | | | | |
|-----------|------|---------|----------------|-------|-----------------------------|
| 4,119,067 | A * | 10/1978 | Aldrich | | F02M 33/04 123/184.42 |
| 4,183,334 | A * | 1/1980 | Van Dine | | F02D 33/00 123/510 |
| 4,402,518 | A * | 9/1983 | Locacius | | 277/592 |
| 5,513,604 | A * | 5/1996 | Clement | | 123/90.38 |
| 5,542,385 | A * | 8/1996 | Kim | | F02M 35/10065 123/184.52 |
| 5,931,131 | A * | 8/1999 | Hackett | | F02B 47/08 123/195 C |
| 6,371,092 | B1 * | 4/2002 | Guglielmo | | F02D 35/0092 123/435 |
| D482,045 | S * | 11/2003 | Iwata et al. | | D15/1 |
| D489,076 | S * | 4/2004 | Hiraiwa et al. | | D15/1 |
| D494,191 | S * | 8/2004 | Aketa et al. | | D15/1 |
| 6,935,321 | B1 * | 8/2005 | Sullivan | | F02M 35/10222 123/568.17 |

| | | | | | |
|--------------|------|---------|------------------|-------|-----------------------------|
| 7,316,215 | B1 * | 1/2008 | Nino et al. | | 123/90.38 |
| D574,853 | S * | 8/2008 | Harbert | | D15/5 |
| D580,954 | S * | 11/2008 | Platt | | D15/5 |
| D605,662 | S * | 12/2009 | Miura et al. | | D15/5 |
| 7,765,971 | B1 * | 8/2010 | Overacker | | 123/90.38 |
| D653,676 | S * | 2/2012 | Tomlinson et al. | | D15/5 |
| D685,819 | S * | 7/2013 | Hataura et al. | | D15/1 |
| D685,820 | S * | 7/2013 | Okuda et al. | | |
| D709,099 | S * | 7/2014 | Finnie | | D15/5 |
| D710,899 | S * | 8/2014 | Kuehner et al. | | D15/1 |
| 2003/0106516 | A1 * | 6/2003 | Nishimura | | F02B 27/02 123/184.42 |
| 2004/0031460 | A1 * | 2/2004 | Vanderveen | | F02M 35/024 123/184.21 |
| 2004/0255891 | A1 * | 12/2004 | Roe | | F02M 35/10026 123/184.42 |
| 2005/0199230 | A1 * | 9/2005 | Sullivan | | F02M 25/0722 123/568.17 |
| 2006/0000437 | A1 * | 1/2006 | Kito | | F02M 35/10019 123/184.21 |
| 2013/0319380 | A1 * | 12/2013 | Hommes | | F02B 33/34 123/559.1 |

* cited by examiner

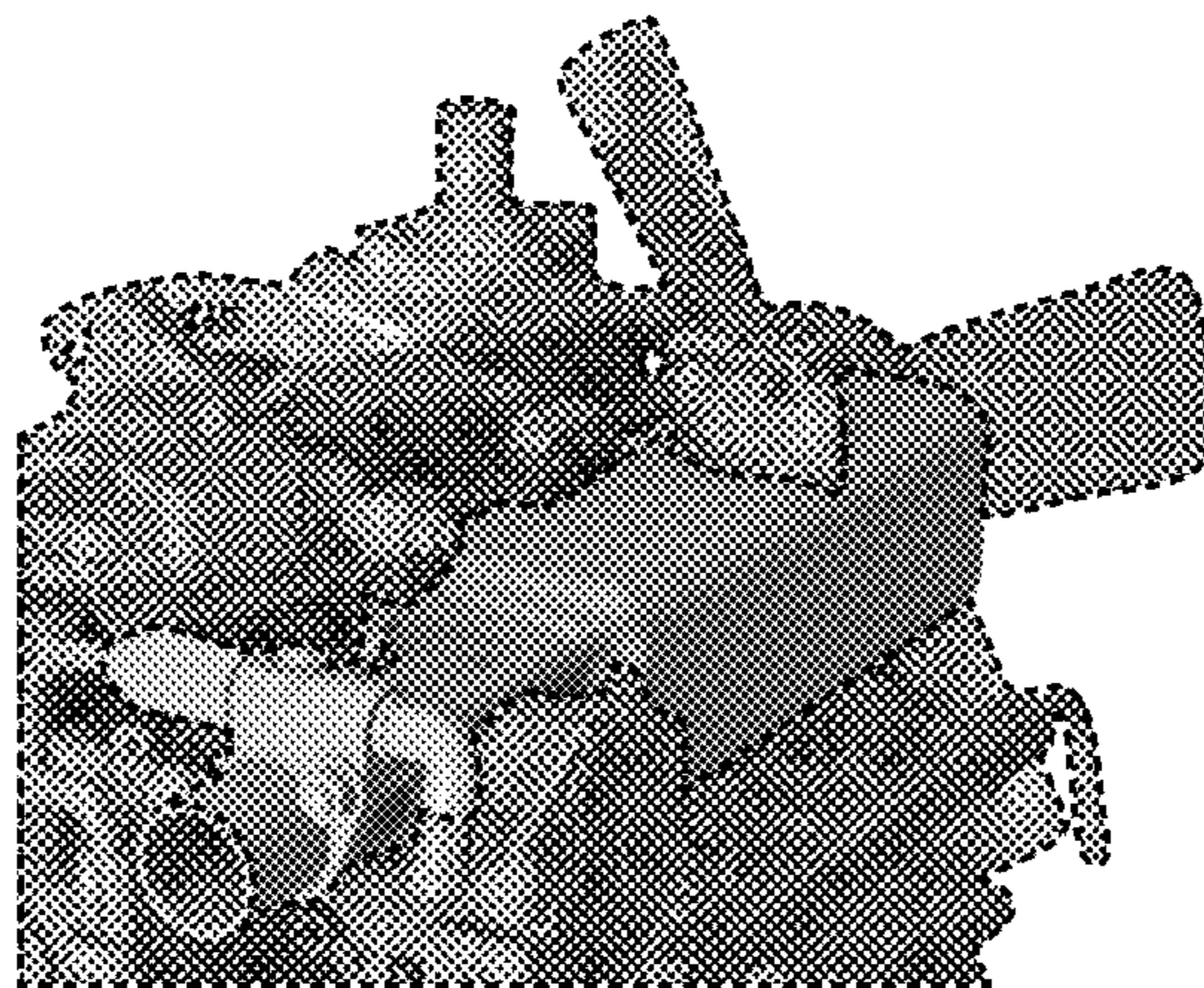
Primary Examiner — T. Chase Nelson
Assistant Examiner — Ania Aman
(74) *Attorney, Agent, or Firm* — The Webb Law Firm

(57) **CLAIM**
The ornamental design for an engine, as shown and described.

DESCRIPTION

FIG. 1 is a front view of an engine showing my new design;
FIG. 2 is a rear view thereof;
FIG. 3 is a left side view thereof;
FIG. 4 is a right side view thereof;
FIG. 5 is a top view thereof;
FIG. 6 is a bottom view thereof;
FIG. 7 is an upper left front perspective view thereof;
FIG. 8 is an upper right front perspective view thereof;
FIG. 9 is an upper right rear perspective view thereof;
FIG. 10 is an upper left rear perspective view thereof;
FIG. 11 is an enlarged upper left front perspective view of a portion thereof taken along lines 11-11 in FIG. 7; and,
FIG. 12 is an enlarged upper left rear perspective view of a portion thereof taken along lines 12-12 in FIG. 10.
The portions of FIGS. 1-12 shown in coarse dot pattern and outlined in dashed lines form no part of the claimed design.

1 Claim, 12 Drawing Sheets



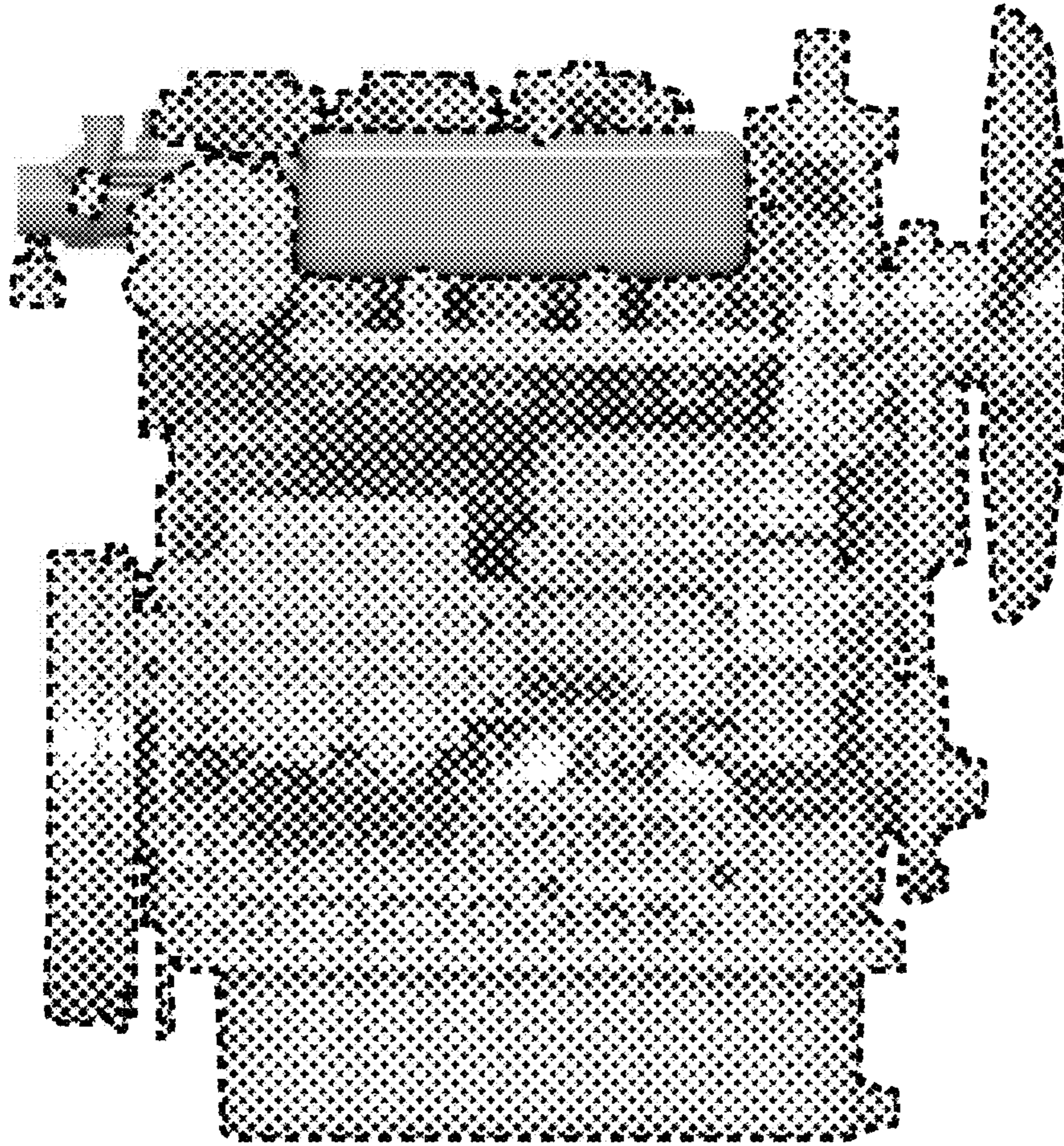


FIG. 1

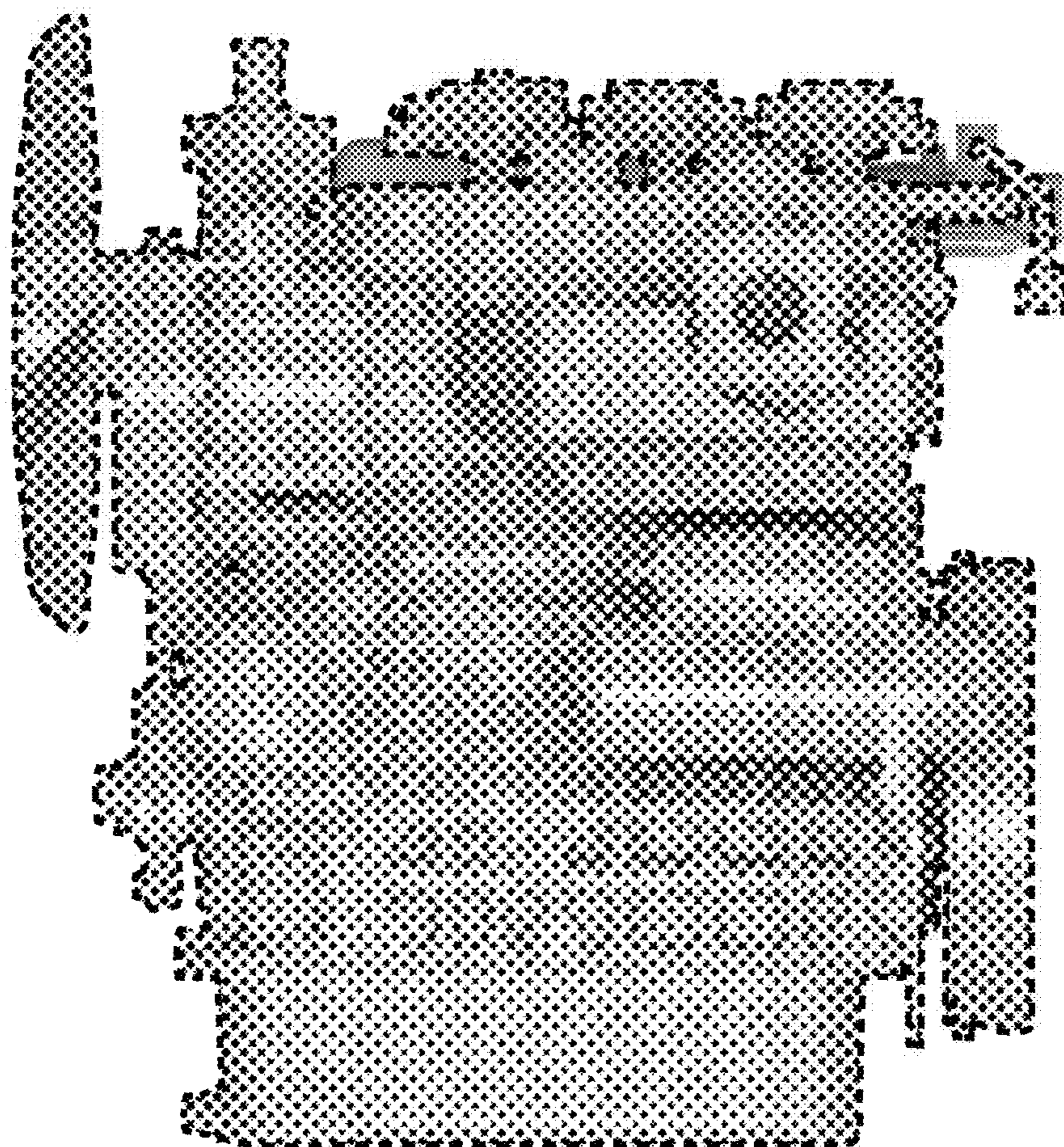


FIG. 2



FIG. 3

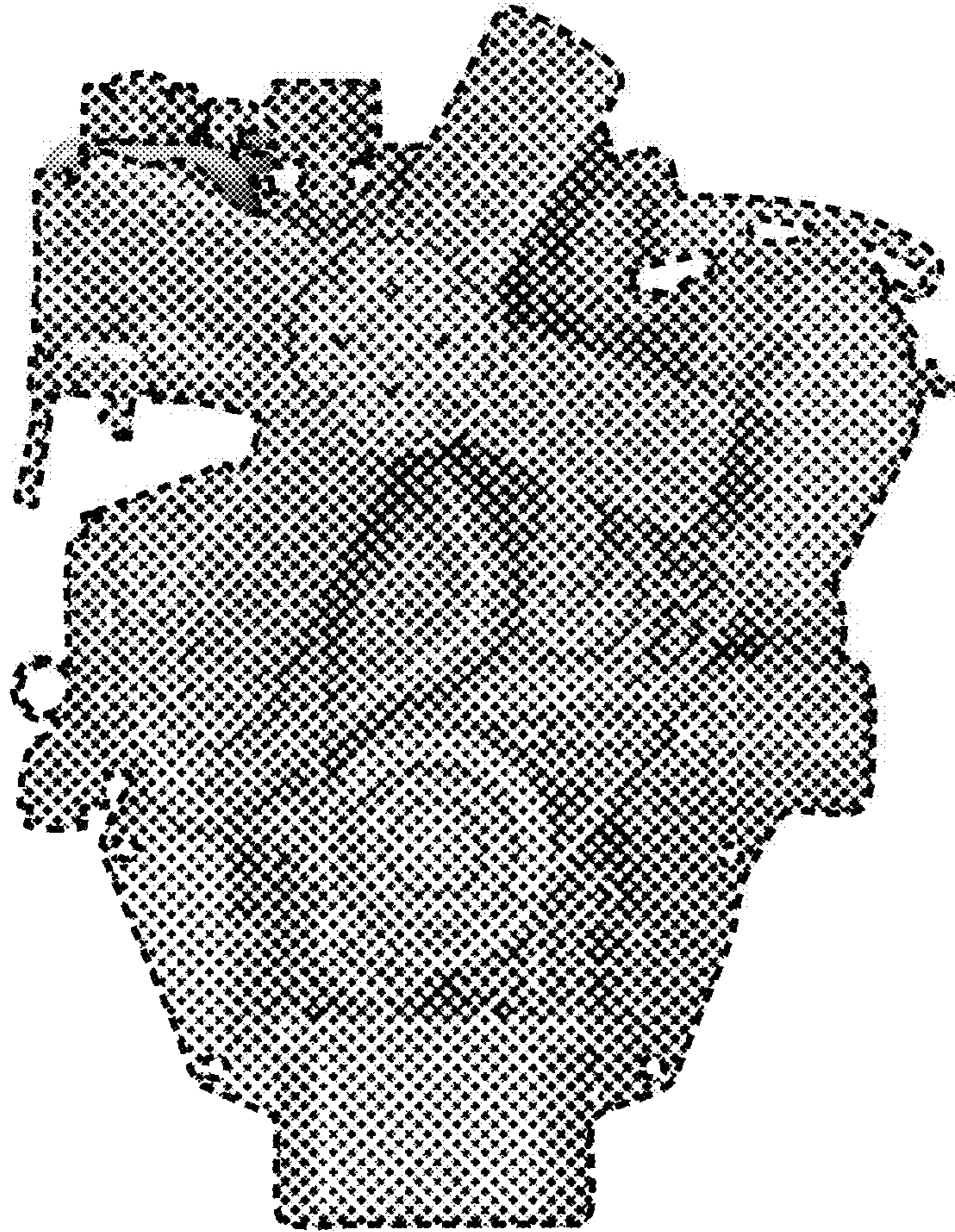


FIG. 4

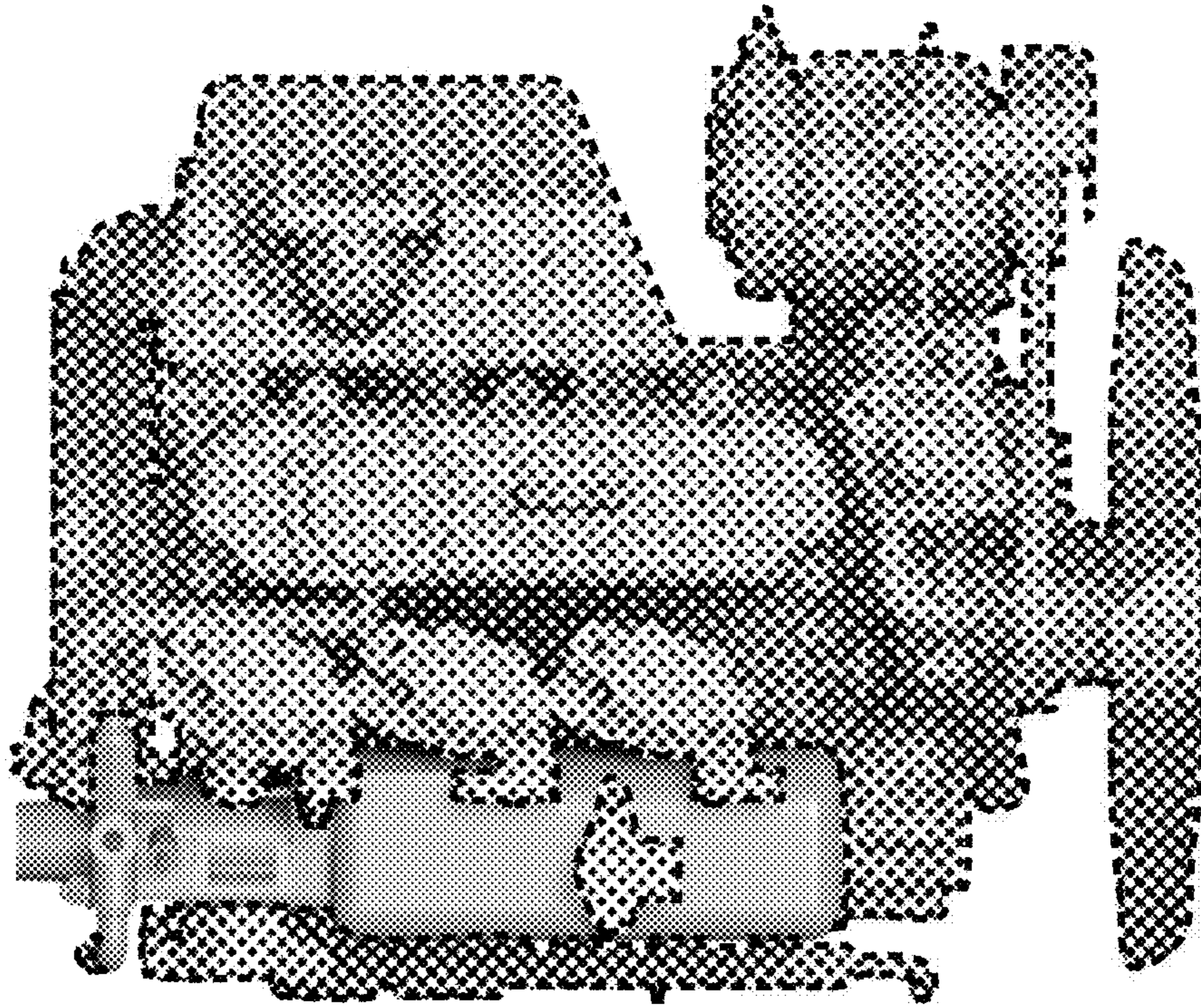


FIG. 5

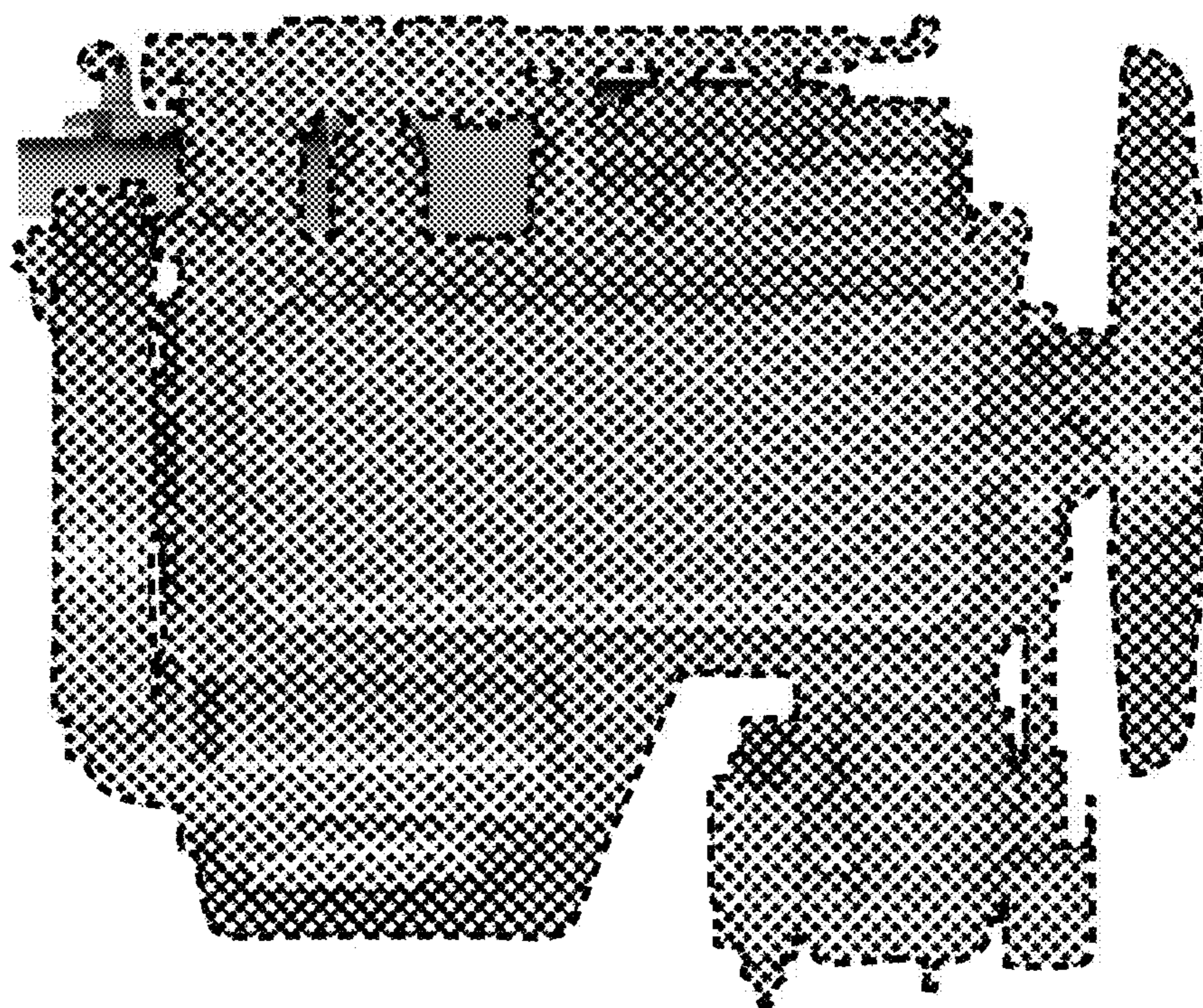


FIG. 6

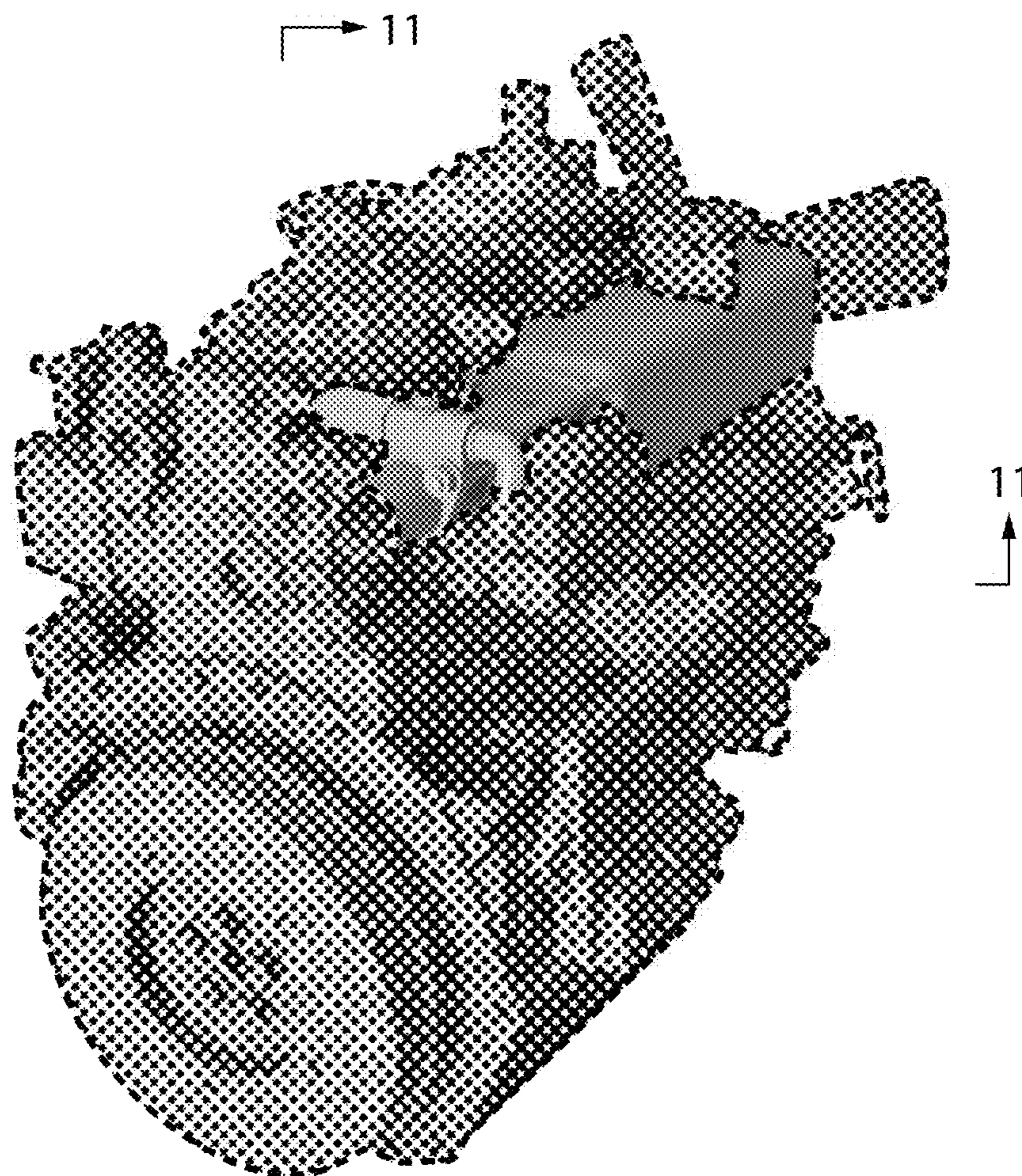


FIG. 7

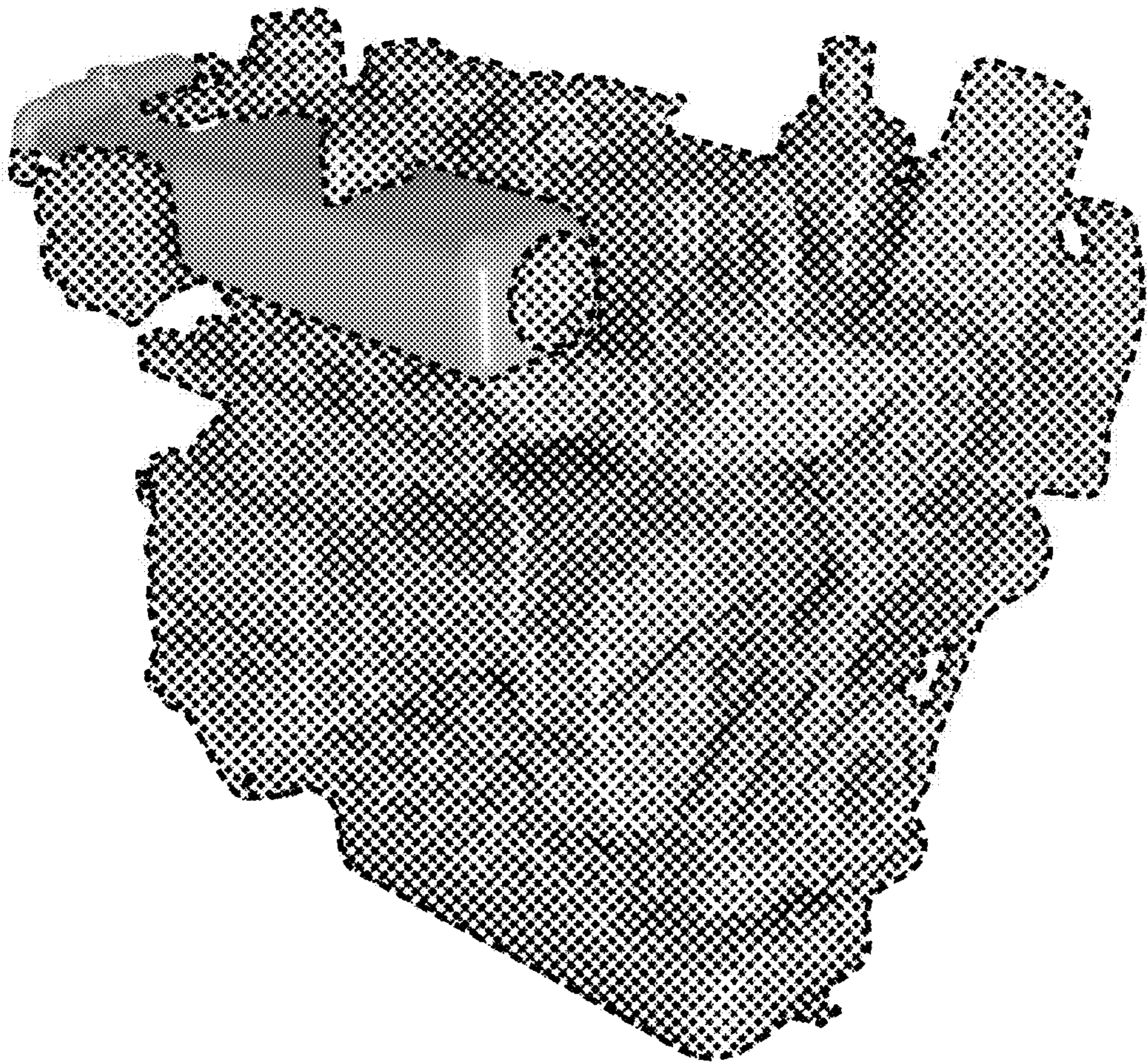


FIG. 8

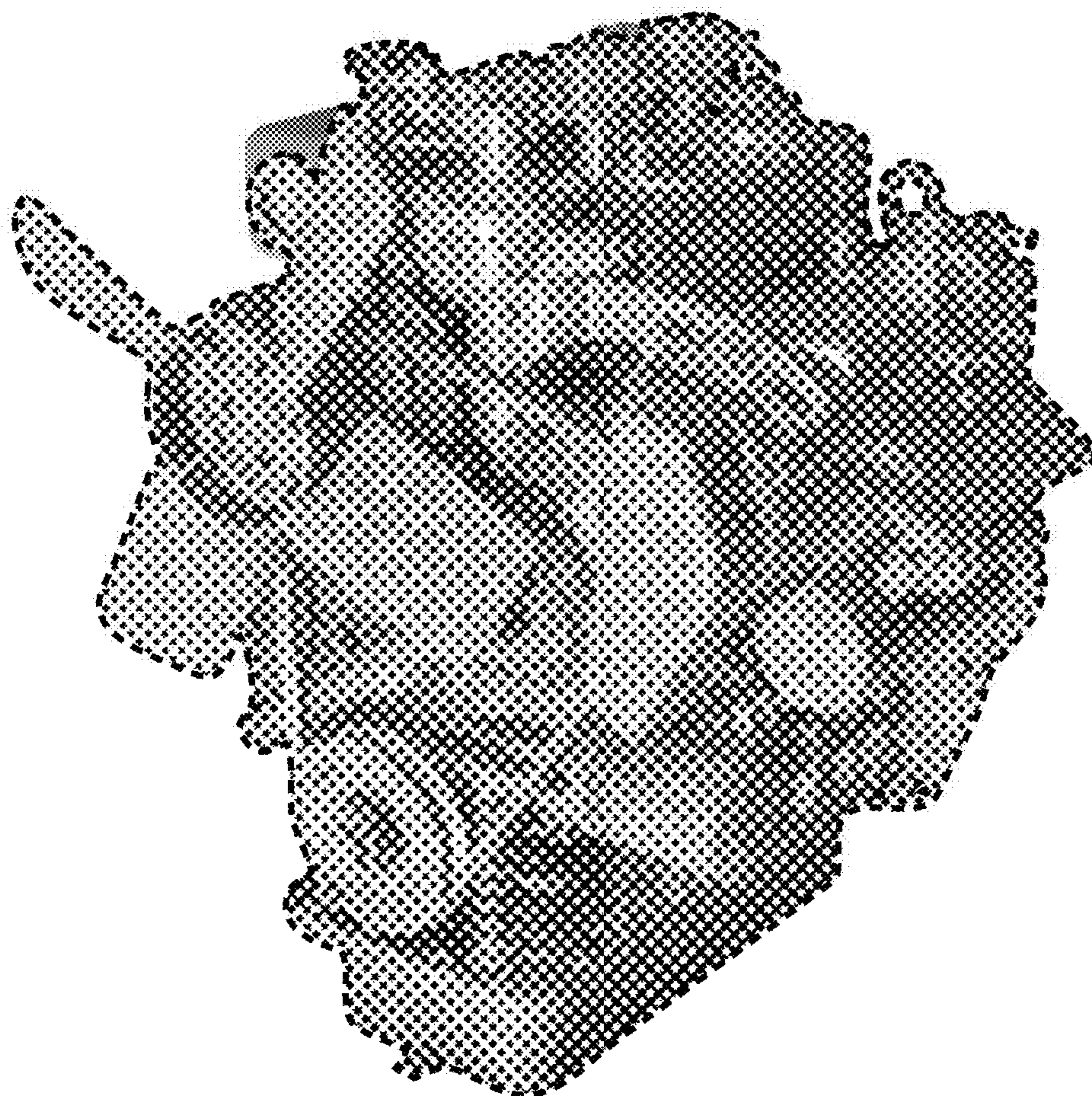


FIG. 9

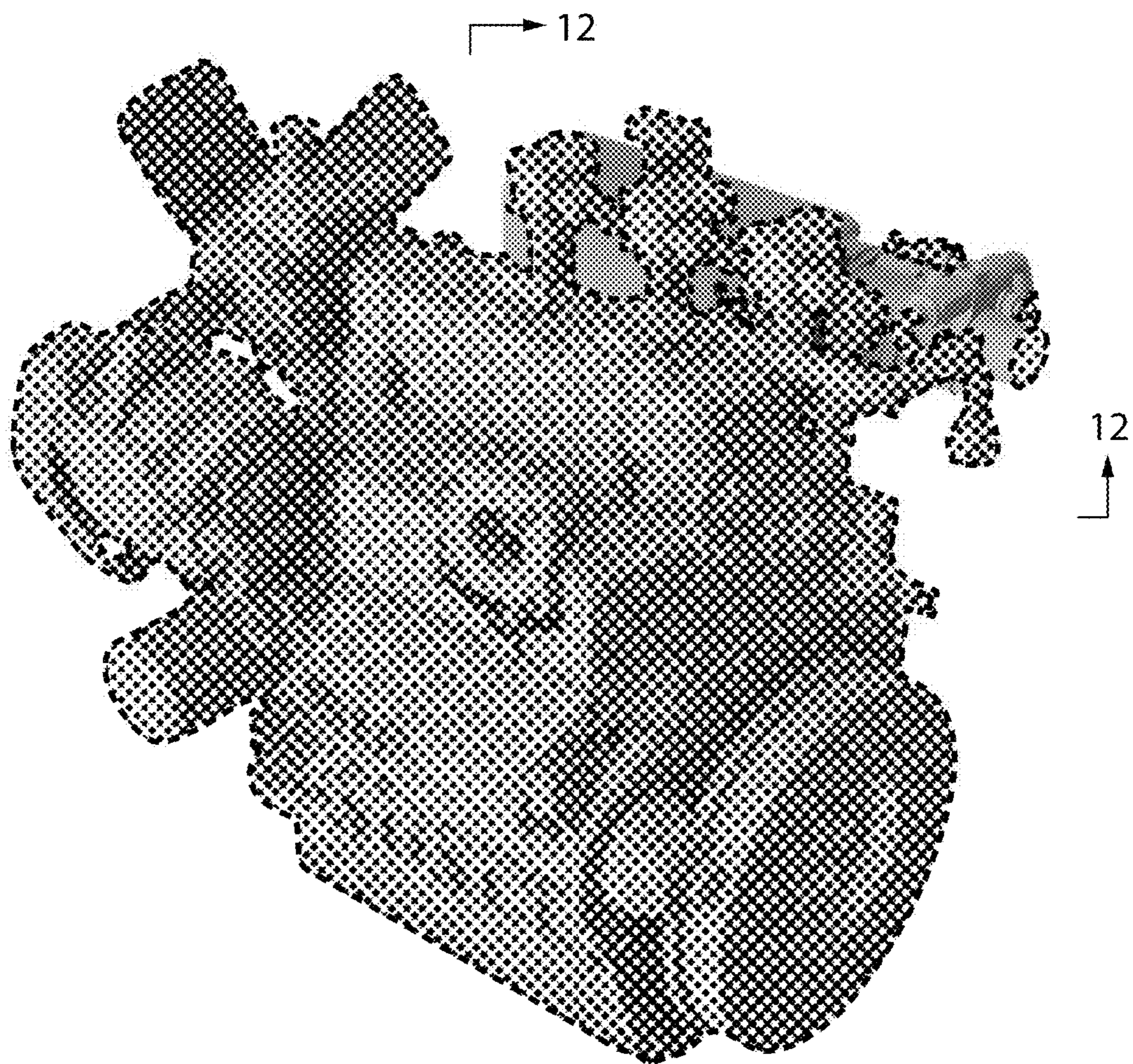


FIG. 10

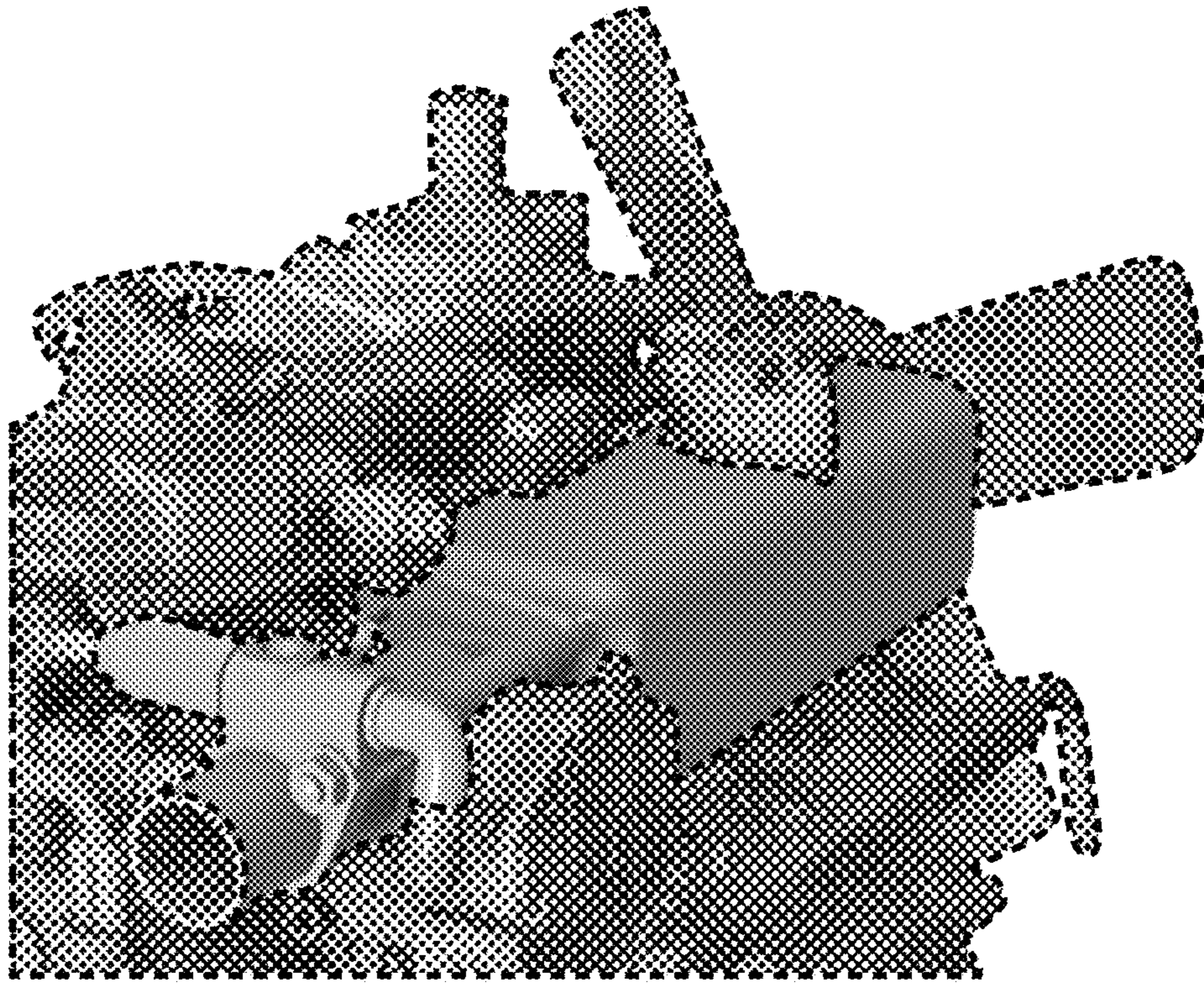


FIG. 11

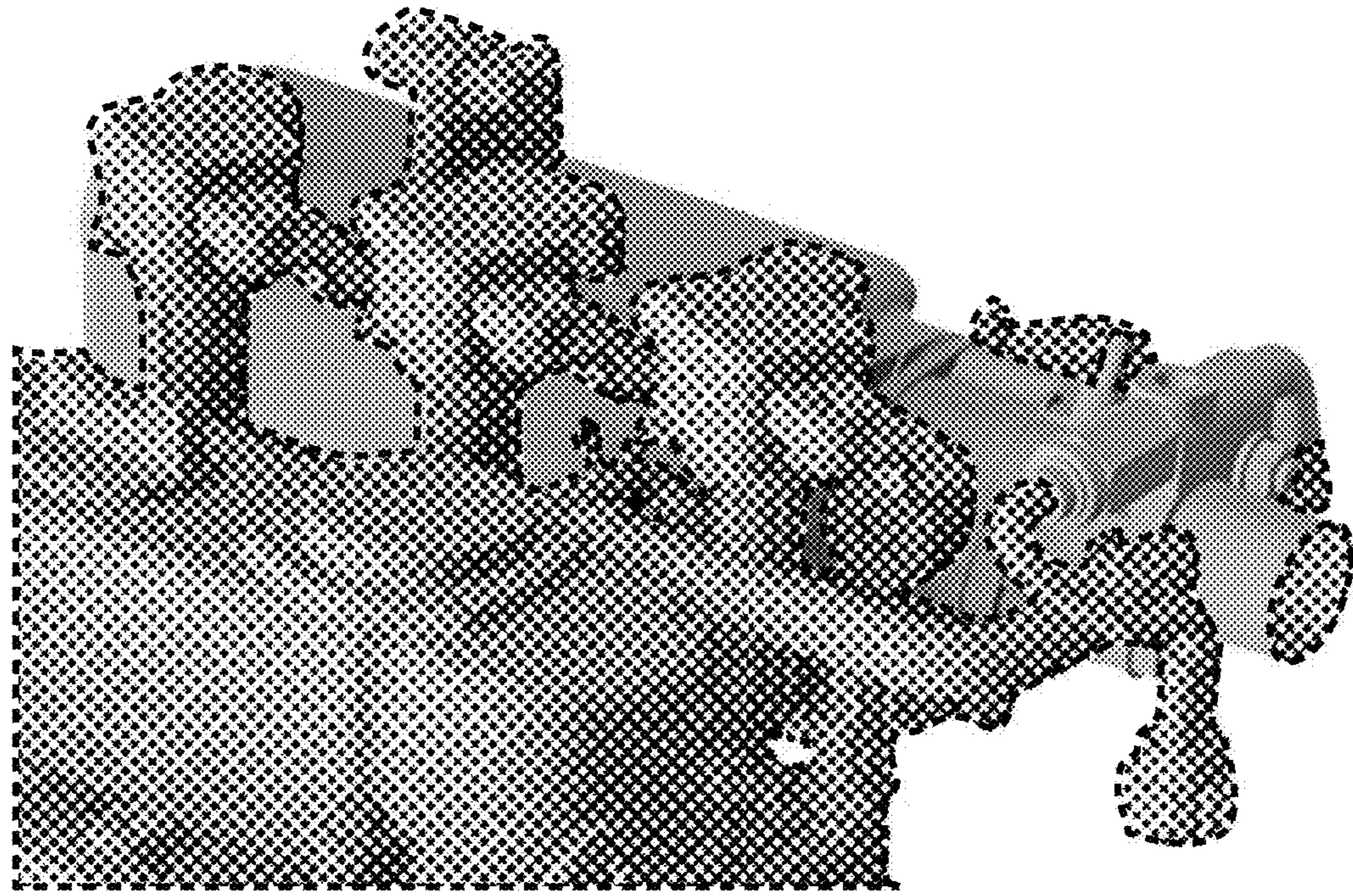


FIG. 12