



US00D757117S

(12) **United States Design Patent**  
**Lamparelli**

(10) **Patent No.:** **US D757,117 S**

(45) **Date of Patent:** **\*\* May 24, 2016**

(54) **PROPULSION CONTROL SYSTEM FOR SHIP WITH A DISPLAY**

(71) Applicant: **Wartsila Finland Oy**, Vaasa (FI)

(72) Inventor: **Davide Lamparelli**, Fitjar (NO)

(73) Assignee: **WARTSILA FINLAND OY**, Vaasa (FI)

(\*\*) Term: **15 Years**

(21) Appl. No.: **29/536,623**

(22) Filed: **Aug. 18, 2015**

**Related U.S. Application Data**

(62) Division of application No. 29/454,667, filed on May 13, 2013, now Pat. No. Des. 742,418.

(30) **Foreign Application Priority Data**

Nov. 13, 2012 (EM) ..... 002134809  
Nov. 13, 2012 (EM) ..... 002135004  
Nov. 13, 2012 (EM) ..... 002135038

(51) **LOC (10) Cl.** ..... **15-01**

(52) **U.S. Cl.**  
USPC ..... **D15/4; D12/317**

(58) **Field of Classification Search**  
USPC ..... D15/5, 4; D12/300, 301, 303-315, 317, D12/174, 178-180; D13/134, 168, 169, D13/173; D10/49; 74/469, 473.1-473.12, 74/473.19, 473.2, 590 B, 491; 440/84-87, 440/98, 111, 112, 113  
CPC ..... B63H 21/21; B63H 21/213; B63H 25/00; B63H 2025/026; B63H 25/46; Y10T 137/87064; Y10T 74/20732; Y10T 74/20612; Y10T 137/87072; Y10T 74/20636; Y10T 74/20201; F02D 11/106; F02D 41/2464; H01H 2217/04; H01H 2221/008; H01H 25/008

See application file for complete search history.

(56) **References Cited**

U.S. PATENT DOCUMENTS

6,538,217 B1 \* 3/2003 Eriksen ..... B63H 21/213  
114/144 RE  
D573,936 S 7/2008 Jin  
D581,855 S 12/2008 Arol  
D593,481 S \* 6/2009 Kobelt ..... D12/317  
D663,253 S 7/2012 Bondesson  
D663,254 S 7/2012 Bondesson  
8,406,944 B2 3/2013 Garon et al.  
D689,423 S 9/2013 Park et al.  
D689,424 S 9/2013 Park et al.  
D710,781 S 8/2014 Park et al.  
8,925,414 B1 1/2015 Park et al.  
8,930,050 B2 1/2015 Garon et al.  
2007/0249244 A1 10/2007 Watanabe et al.

\* cited by examiner

*Primary Examiner* — T. Chase Nelson

*Assistant Examiner* — Ania Aman

(74) *Attorney, Agent, or Firm* — Muncy, Geissler, Olds & Lowe, P.C.

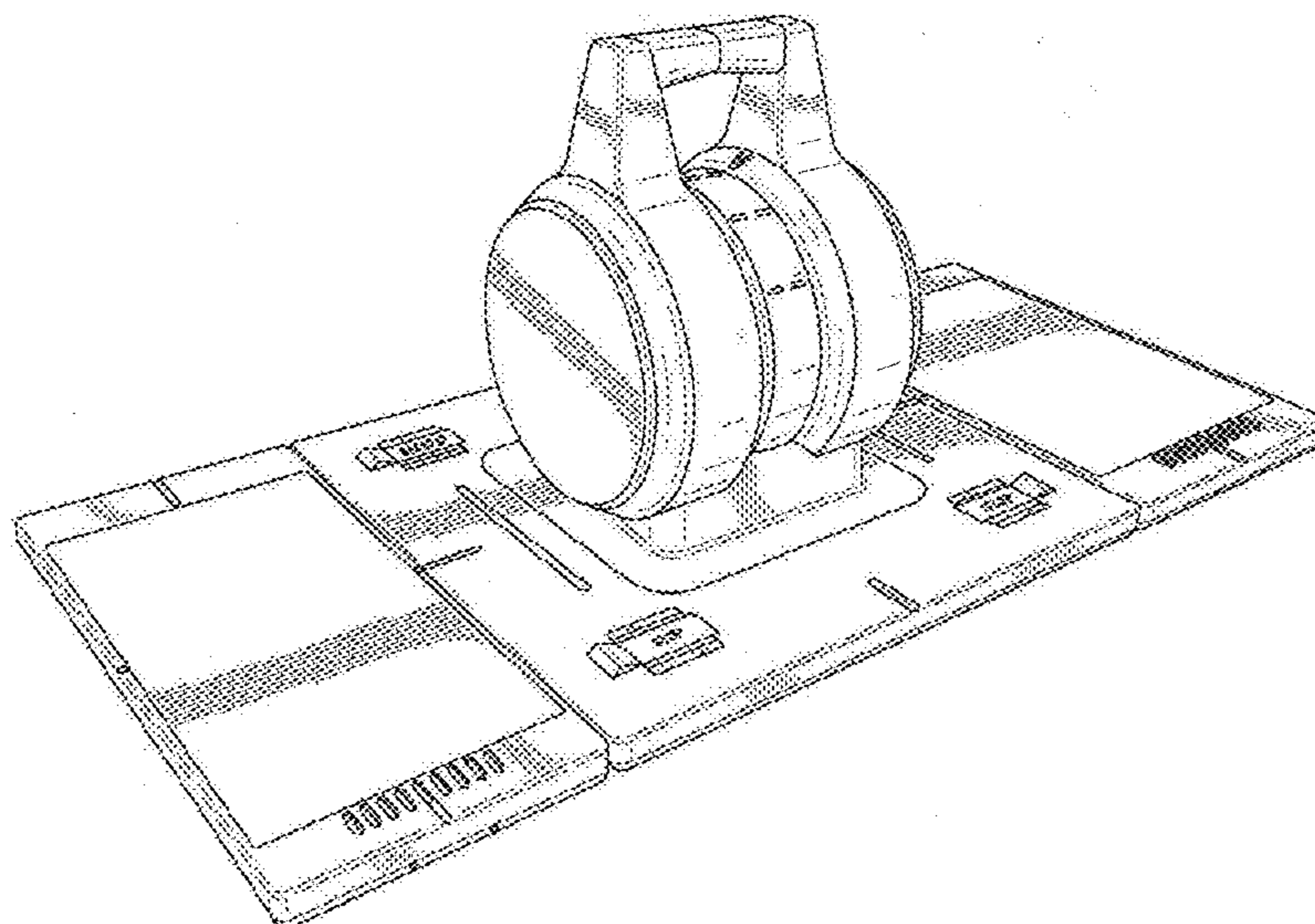
(57) **CLAIM**

The ornamental design for a propulsion control system for ship with a display, as shown and described.

**DESCRIPTION**

FIG. 1 is a perspective view of a propulsion control system for a ship with a display having a screen display on each side; FIG. 2 is a right side view thereof; FIG. 3 is a left side view thereof; FIG. 4 is a top plan view thereof; FIG. 5 is a front elevational view thereof; and, FIG. 6 is a rear elevational view thereof. The broken line showing is for the purpose of illustrating portions of the propulsion control system for a ship with a display which form no part of the claimed design.

**1 Claim, 6 Drawing Sheets**



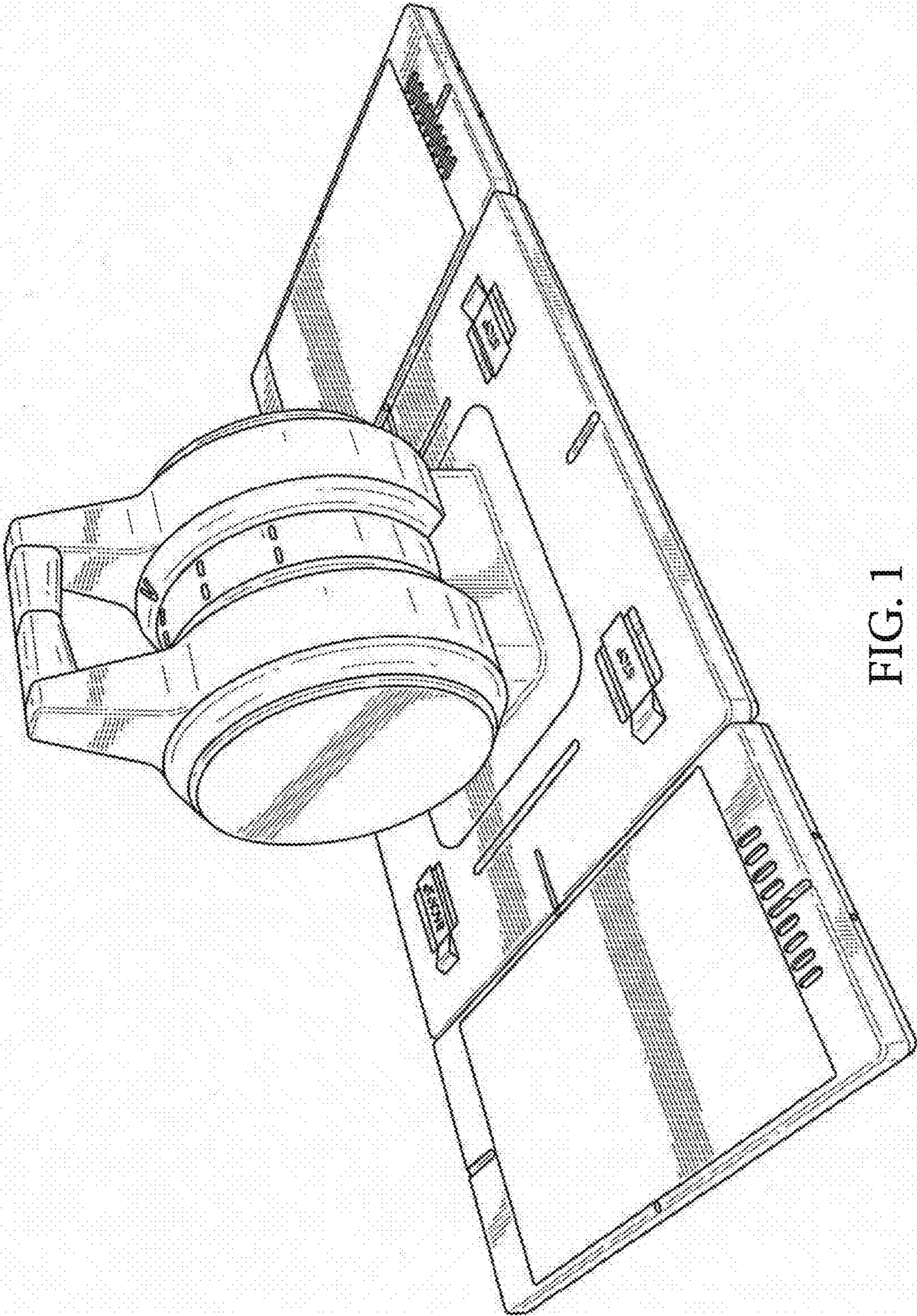


FIG. 1

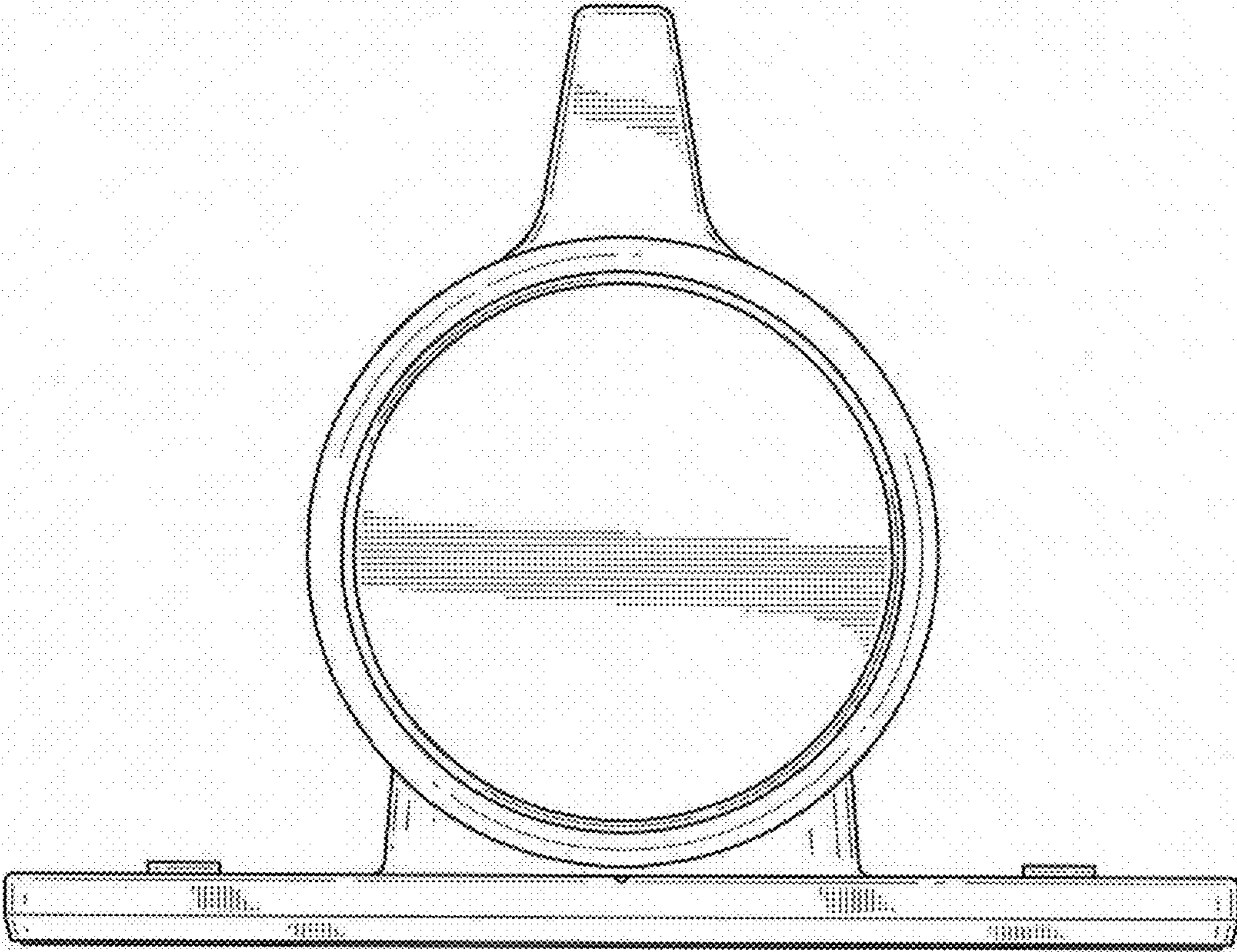


FIG. 2

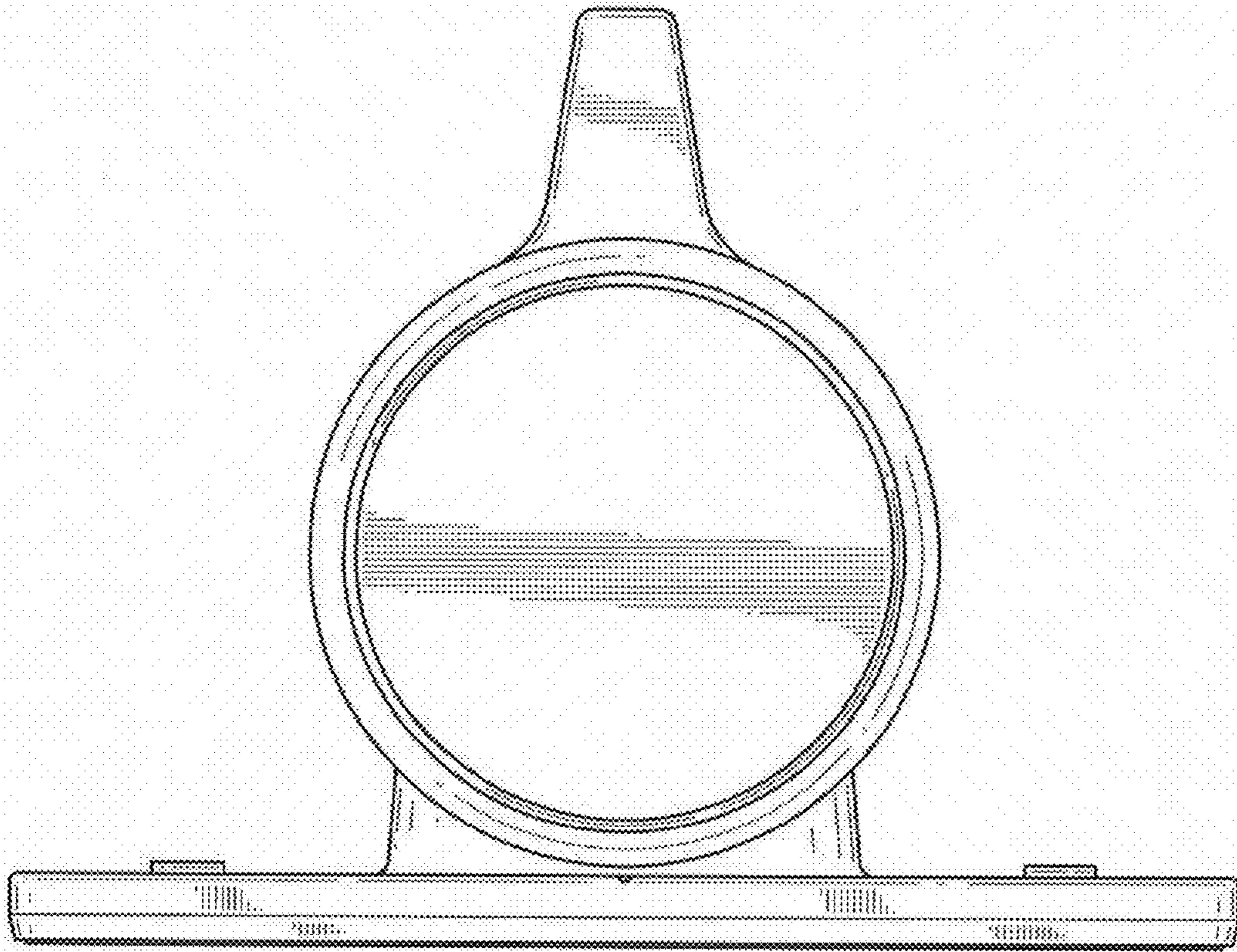


FIG. 3

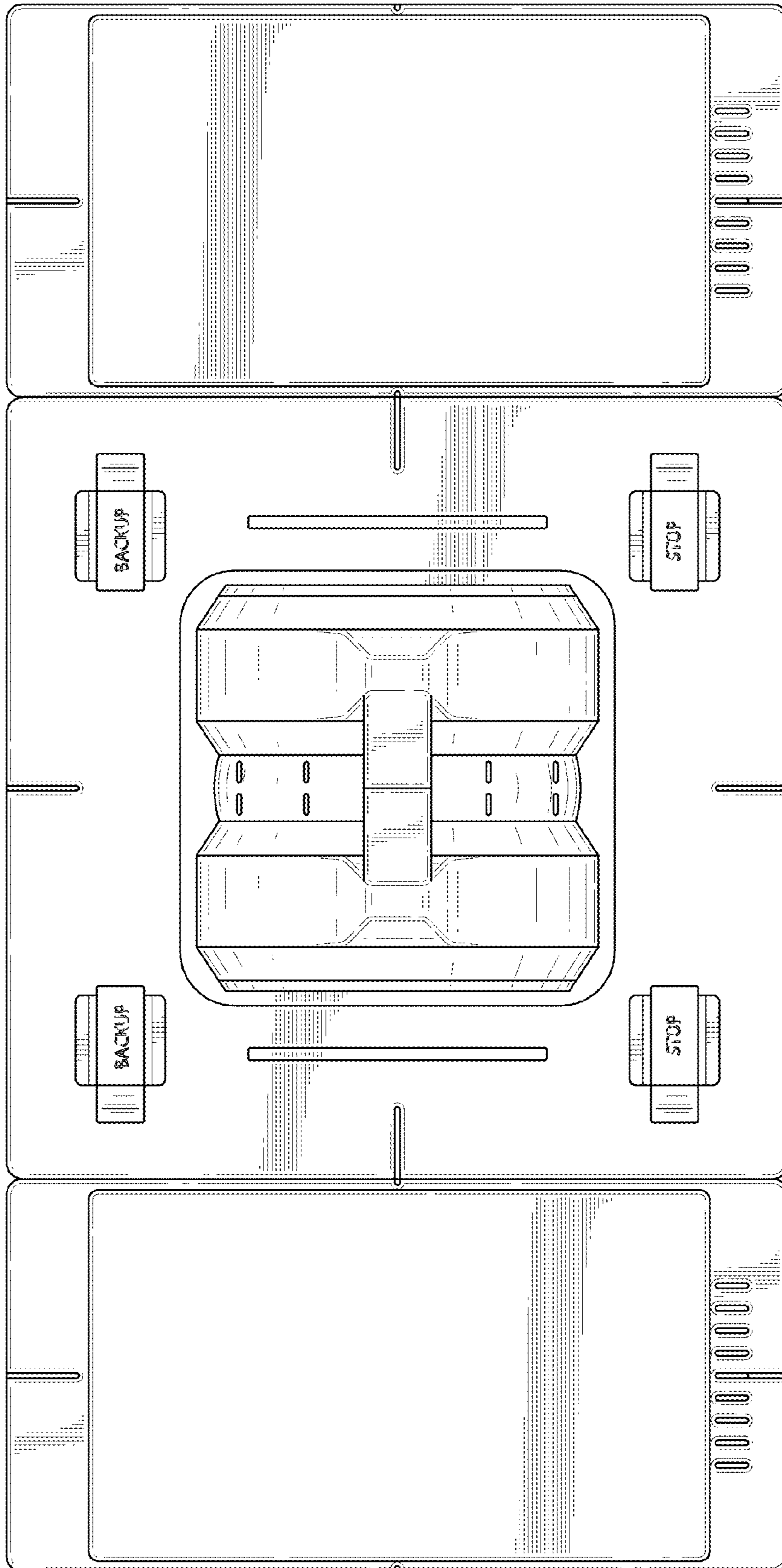


FIG. 4

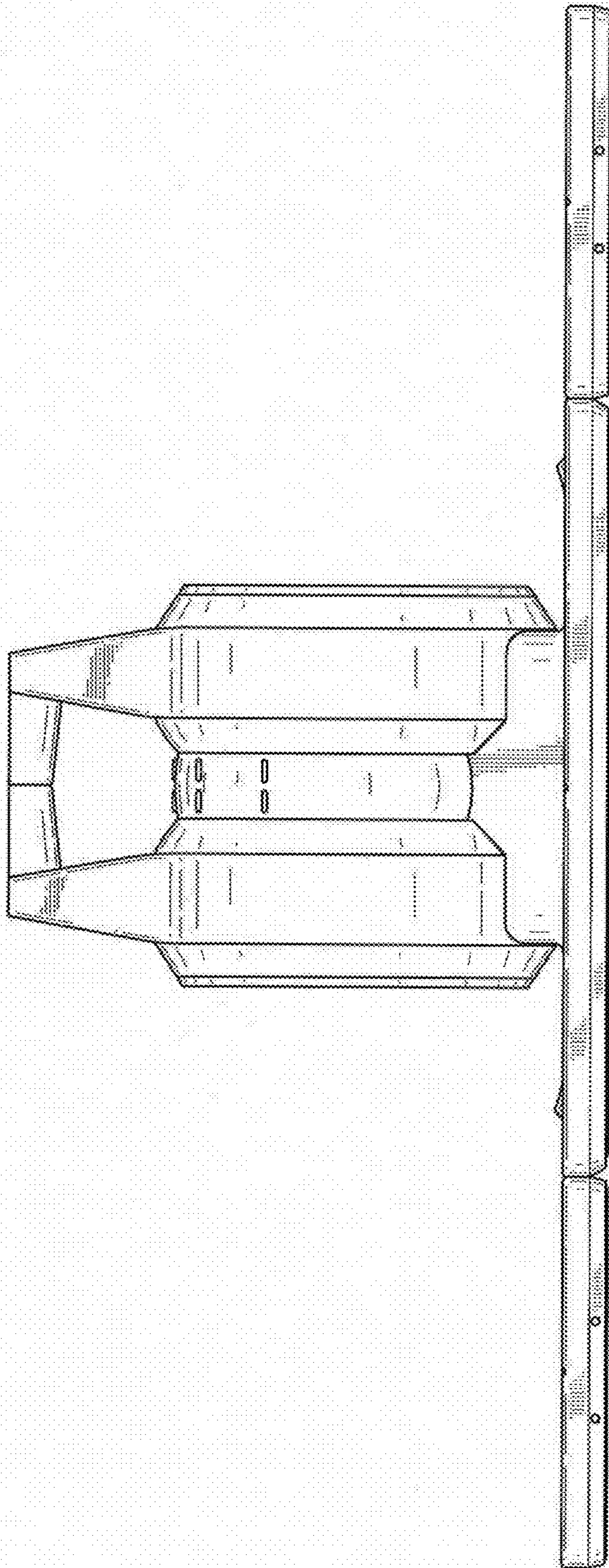


FIG. 5

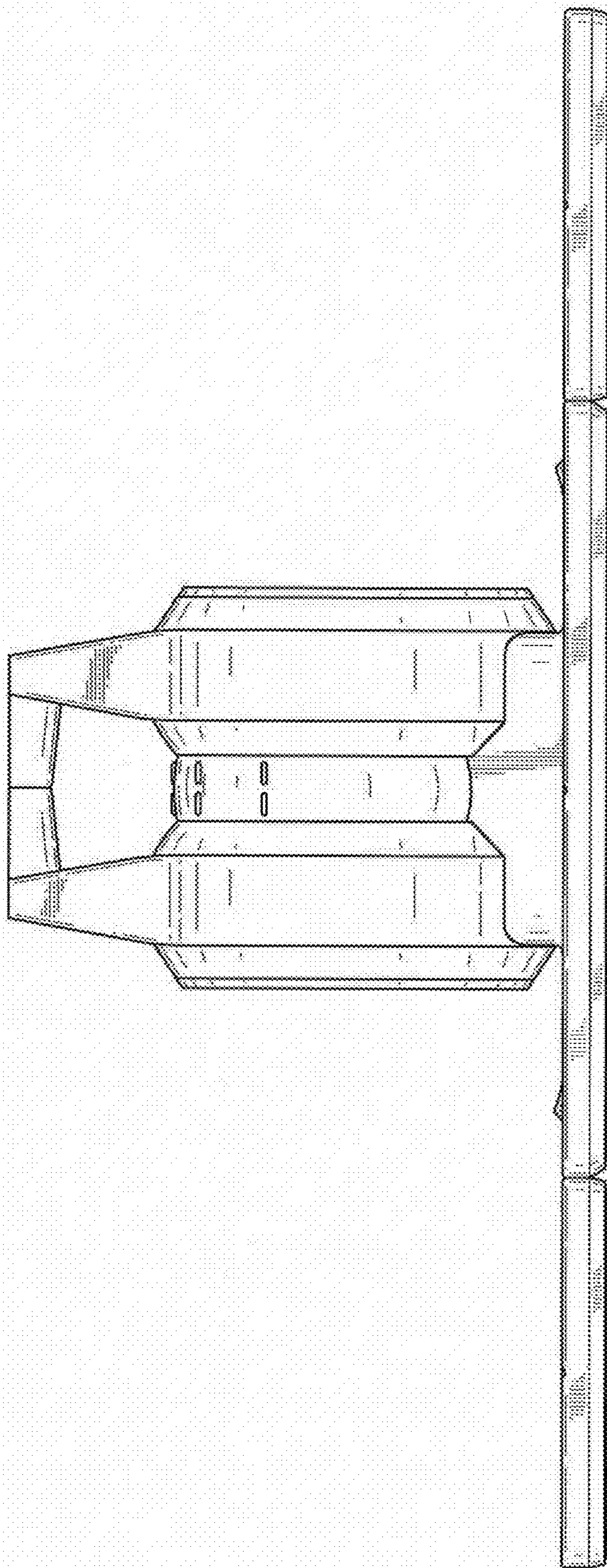


FIG. 6