



US00D757099S

(12) **United States Design Patent**  
**Seo et al.**

(10) **Patent No.:** **US D757,099 S**  
(45) **Date of Patent:** **\*\* May 24, 2016**

(54) **DISPLAY SCREEN OR PORTION THEREOF WITH GRAPHICAL USER INTERFACE**

(71) Applicant: **Samsung Electronics Co., Ltd.**, Suwon-si (KR)  
(72) Inventors: **Jang-Won Seo**, Seoul (KR); **Yong-Hwan Kwon**, Sungnam-Si (KR); **Ji-Eun Kim**, Suwon-si (KR); **Ji-Hong Kim**, Seoul (KR); **Hye-Ryung Kim**, Sungnam-Si (KR); **Se-Ran Jeon**, Seoul (KR); **Woo-Seok Hwang**, Seoul (KR)  
(73) Assignee: **Samsung Electronics Co., Ltd.**, Suwon-si (KR)

(\*\*) Term: **14 Years**

(21) Appl. No.: **29/459,641**

(22) Filed: **Jul. 2, 2013**

(30) **Foreign Application Priority Data**

Jan. 4, 2013 (KR) ..... 30-2013-0000421

(51) **LOC (10) Cl.** ..... **14-04**

(52) **U.S. Cl.**  
USPC ..... **D14/489**

(58) **Field of Classification Search**  
USPC ..... D14/489-494, 218  
CPC ..... H04N 5/44543; H04N 1/00424  
See application file for complete search history.

(56) **References Cited**

**U.S. PATENT DOCUMENTS**

5,568,540 A \* 10/1996 Greco ..... H04M 1/575  
379/88.11  
D385,869 S \* 11/1997 Thomas ..... D14/492  
D386,476 S \* 11/1997 Thomas ..... D14/492  
D395,291 S \* 6/1998 Mason ..... D14/490  
D432,100 S \* 10/2000 Zink ..... D14/490  
D494,984 S \* 8/2004 Peter ..... D14/491

D563,983 S \* 3/2008 Hosokawa ..... D14/489  
D570,868 S \* 6/2008 Hosokawa ..... D14/489  
7,548,255 B2 \* 6/2009 Bear ..... H04N 5/23203  
348/14.01  
7,562,312 B2 \* 7/2009 Rochford ..... G06F 3/0482  
715/848  
D599,376 S \* 9/2009 Matsuguma ..... D14/489  
D600,716 S \* 9/2009 LaManna ..... D14/492  
D602,039 S \* 10/2009 Matsuguma ..... D14/489  
7,624,259 B2 \* 11/2009 Bear ..... G06F 1/16  
381/101  
D659,709 S \* 5/2012 Eby ..... D14/492  
D667,455 S \* 9/2012 Eby ..... D14/492  
D673,176 S \* 12/2012 Phelan ..... D14/492  
D682,876 S \* 5/2013 MacNeil ..... D14/488  
D697,939 S \* 1/2014 Lee ..... D14/486

(Continued)

**OTHER PUBLICATIONS**

TV antenna | posted at shutterstock.com no posting date given © 2003-2016 Shutterstock, Inc. [online], [site visited Jan. 6, 2016]. Available from Internet: <URL:http://www.shutterstock.com/pic-235825630/stock-vector-television-antenna-isolated-on-a-white-background.html?src=EFZO2FPh7xWgVER2R9ek4w-1-3.\*

(Continued)

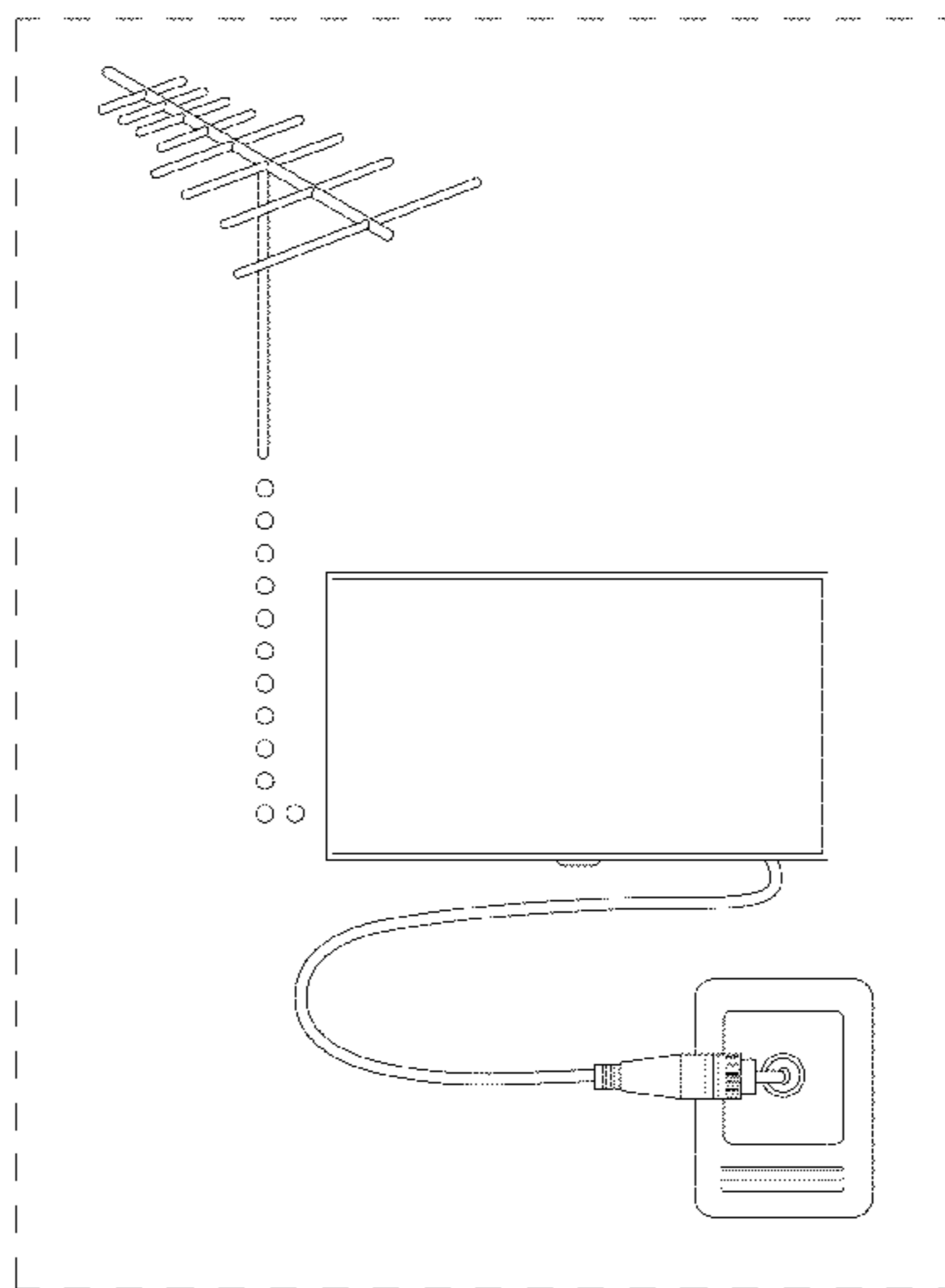
*Primary Examiner* — Sheryl Lane  
*Assistant Examiner* — Katherine Glennon  
(74) *Attorney, Agent, or Firm* — NSIP Law

(57) **CLAIM**  
The ornamental design for a display screen or portion thereof with graphical user interface, as shown and described.

**DESCRIPTION**

FIG. 1 is a front view of a display screen or portion thereof with graphical user interface, showing our new design; and, FIG. 2 is a front view thereof, shown in an example environment. The broken lines define the bounds of the claimed design and form no part thereof.

**1 Claim, 2 Drawing Sheets**



(56)

**References Cited**

U.S. PATENT DOCUMENTS

8,731,610 B2 \* 5/2014 Appaji ..... H04M 1/72572  
 370/401  
 D722,081 S \* 2/2015 Gerber ..... D14/489  
 D737,318 S \* 8/2015 Folken ..... D14/489  
 9,183,560 B2 \* 11/2015 Abelow ..... G06Q 10/067  
 D744,530 S \* 12/2015 Jung ..... D14/489  
 D745,051 S \* 12/2015 Kim ..... D14/491  
 2011/0274000 A1 \* 11/2011 King ..... H04W 48/20  
 370/252  
 2013/0263048 A1 \* 10/2013 Shimizu ..... G06F 3/0482  
 715/802  
 2013/0268894 A1 \* 10/2013 Jeon ..... G06F 3/04817  
 715/835

2014/0337892 A1\* 11/2014 Phang ..... H04N 21/478  
 725/52  
 2015/0055622 A1\* 2/2015 Roh ..... H04W 36/26  
 370/331  
 2015/0194126 A1\* 7/2015 Lee ..... G09G 5/006  
 345/2.3  
 2015/0346975 A1\* 12/2015 Lee ..... G06F 3/04845  
 715/765

OTHER PUBLICATIONS

Wireless router setup illustrations | posted at D-Link.com Jan. 17, 2014 Copyright © 2016 D-Link Corporation/D-Link Systems, Inc. [online], [site visited Jan. 5, 2016]. Available from internet: <URL:http://blog.dlink.com/setting-up-wireless-router/>.\*

\* cited by examiner

FIG. 1

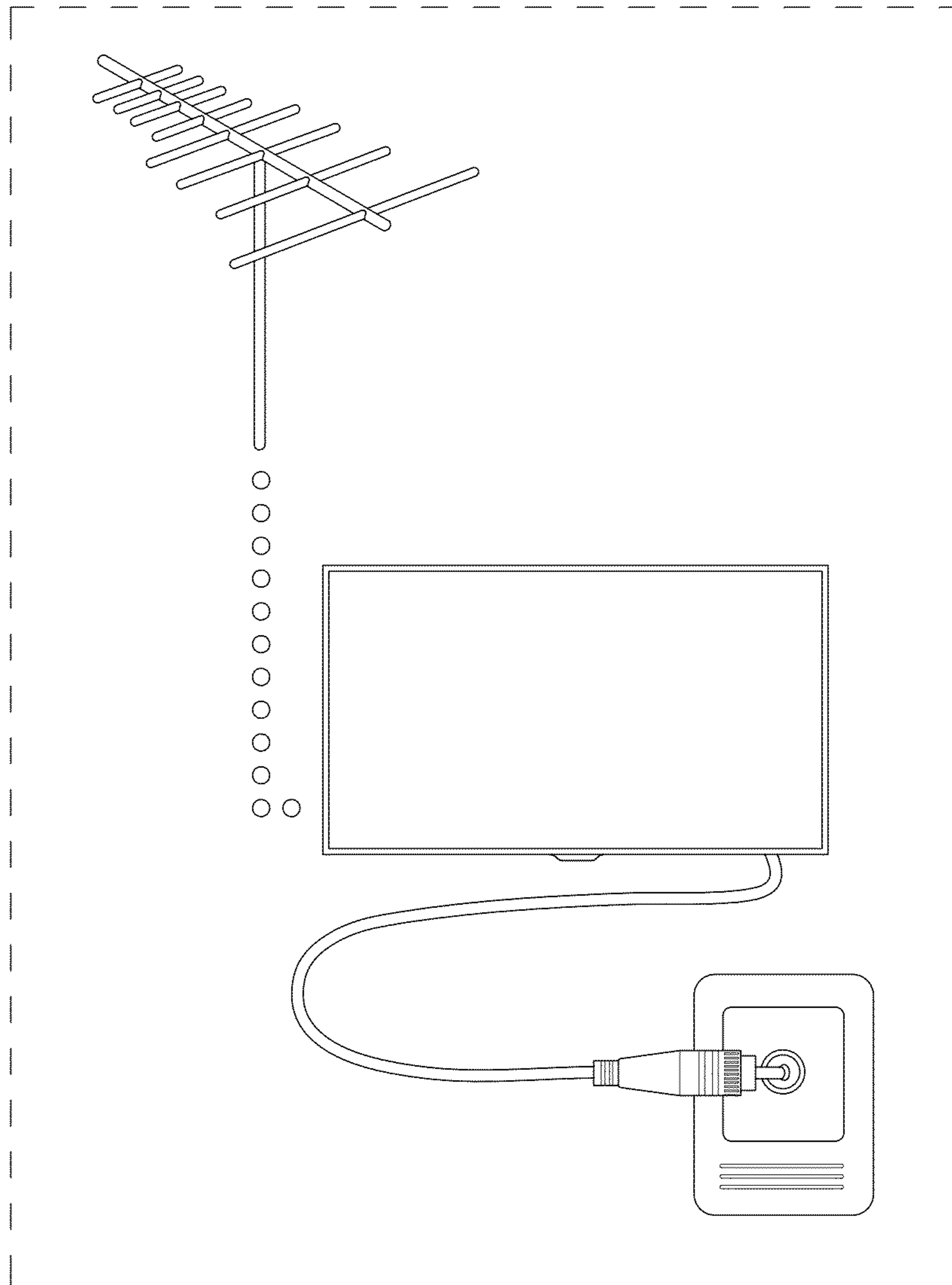


FIG. 2

