



US00D757093S

(12) **United States Design Patent**
Vonshak et al.

(10) **Patent No.:** **US D757,093 S**
(45) **Date of Patent:** **** May 24, 2016**

(54) **DISPLAY PANEL WITH TRANSITIONAL GRAPHICAL USER INTERFACE**

(71) Applicant: **LG ELECTRONICS INC.**, Seoul (KR)

(72) Inventors: **Itai Vonshak**, Santa Clara, CA (US);
Liron Damir, Santa Clara, CA (US);
Molly Davis, Santa Clara, CA (US);
David Kempe, Santa Clara, CA (US);
Herbert Han-pu Wang, Santa Clara, CA (US)

(73) Assignee: **LG ELECTRONICS INC.**, Seoul (KR)

(**) Term: **14 Years**

(21) Appl. No.: **29/485,161**

(22) Filed: **Mar. 17, 2014**

(51) **LOC (10) Cl.** **14-04**

(52) **U.S. Cl.**
USPC **D14/488**

(58) **Field of Classification Search**
USPC D14/485-495; 715/833, 972, 974, 840
CPC G06F 9/446; G06F 9/4443; G06F 3/0481;
G06F 3/04847; G06F 1/692; G06F 3/03548;
G06F 3/0362; G09B 21/003; G09B 21/007;
G06T 13/80; G06T 15/02; H04N 1/00424;
H04N 1/00408; H04N 1/00437; G05B
2219/23105; G05B 2219/33176; G10H 1/0008
See application file for complete search history.

(56) **References Cited**

U.S. PATENT DOCUMENTS

- 5,537,618 A * 7/1996 Boulton G06F 11/3055
434/118
- 5,792,971 A * 8/1998 Timis G10H 1/0008
369/83
- 5,898,873 A * 4/1999 Lehr G06F 11/323
345/440

- 6,963,656 B1 * 11/2005 Persaud G09B 21/006
348/62
- D592,676 S * 5/2009 Okuyama D14/488
- D593,116 S * 5/2009 Garcia D14/487
- D614,637 S * 4/2010 Mizulo D14/486
- D615,549 S * 5/2010 Caine D14/486
- 7,849,105 B2 * 12/2010 Prager A63F 7/0676
707/802
- D693,840 S * 11/2013 Yang D14/486
- 2002/0154119 A1 * 10/2002 Lepejian G06F 9/4443
345/440
- 2003/0095135 A1 * 5/2003 Kaasila G06F 3/0481
345/613
- 2005/0015250 A1 * 1/2005 Davis G06F 3/03545
704/231
- 2005/0195159 A1 * 9/2005 Hunleth G06F 3/0236
345/156
- 2005/0241465 A1 * 11/2005 Goto G10D 1/00
84/616

(Continued)

Primary Examiner — Ian Simmons

Assistant Examiner — Shannon Morgan

(74) *Attorney, Agent, or Firm* — Birch, Stewart, Kolasch & Birch, LLP

(57) **CLAIM**

We claim the ornamental design for a display panel with transitional graphical user interface, as shown and described.

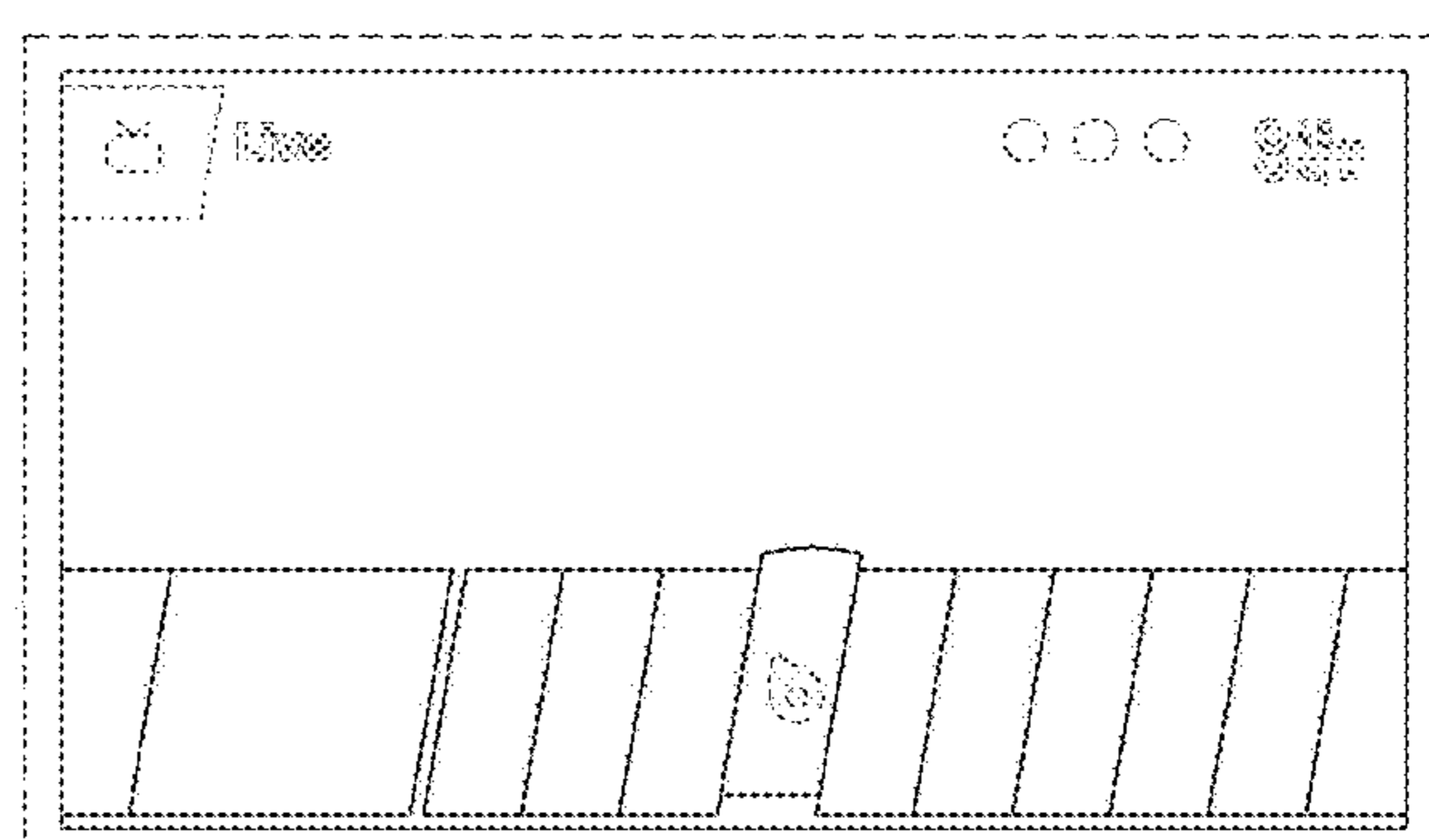
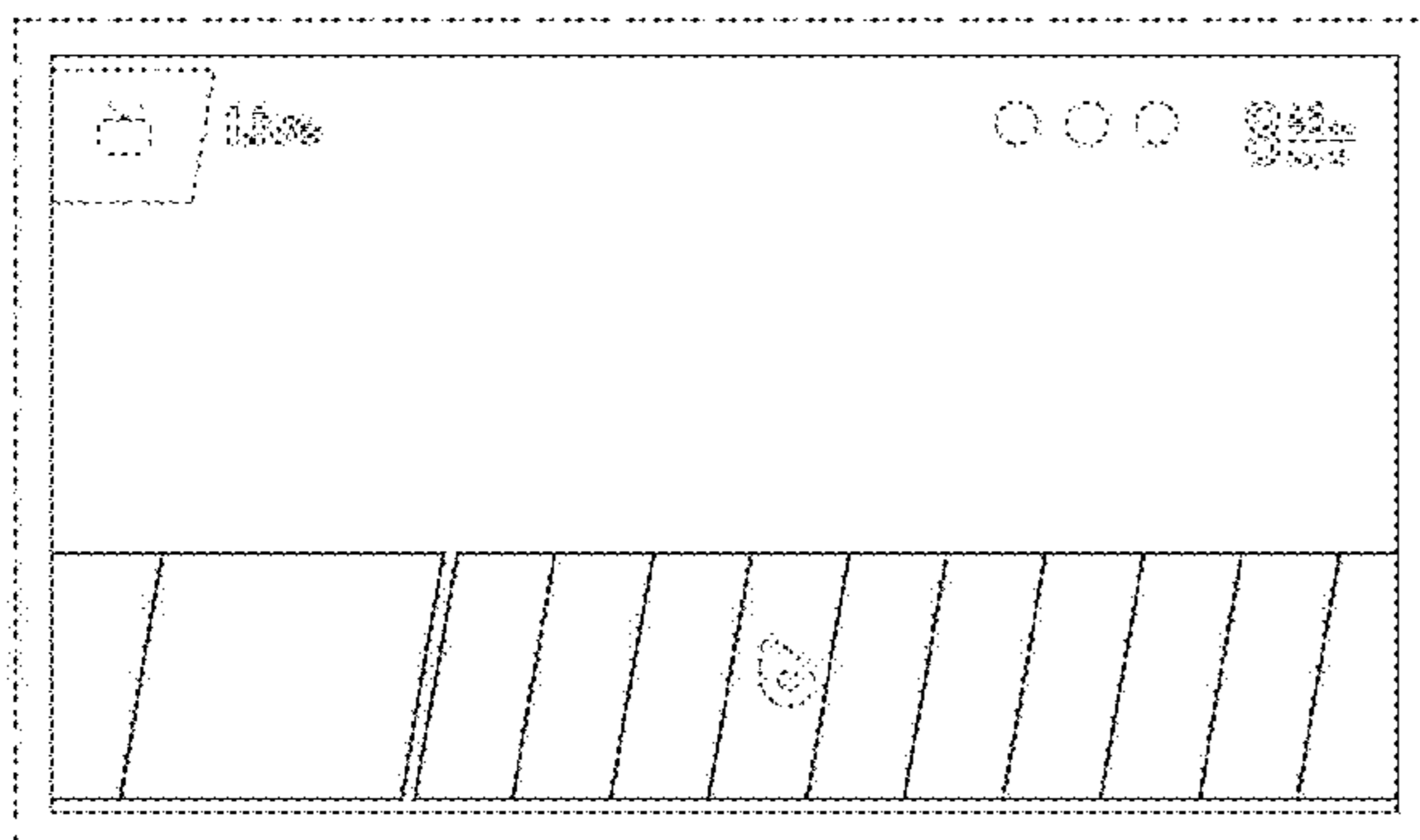
DESCRIPTION

FIG. 1 is a front view of a first image of a display panel with transitional graphical user interface showing our new design; FIG. 2 is a front view of a second image thereof; FIG. 3 is a front view of a third image thereof; and, FIG. 4 is a front view of a fourth image thereof.

The broken lines shown in FIGS. 1-4 illustrate portions of the display panel with transitional graphical user interface and form no part of the claimed design.

The appearance of the transitional image sequentially transitions between the images shown in FIGS. 1-4. The process or period in which one image transitions to another forms no part of the claimed design.

1 Claim, 2 Drawing Sheets



(56)

References Cited

U.S. PATENT DOCUMENTS

2006/0013554 A1* 1/2006 Poslinski H04N 5/76
386/213
2007/0157261 A1* 7/2007 Steelberg H04H 60/04
725/87
2007/0192725 A1* 8/2007 Chen G06Q 10/10
715/779
2008/0122796 A1* 5/2008 Jobs G06F 3/0488
345/173
2008/0184868 A1* 8/2008 Transeau G10H 1/0008
84/609
2009/0049412 A1* 2/2009 Lee G06F 3/0482
715/841
2009/0125796 A1* 5/2009 Day G06F 9/4443
715/219
2009/0327915 A1* 12/2009 Holdaway G06F 9/4443
715/745
2010/0017749 A1* 1/2010 Bang G06F 9/4443
715/799
2010/0060514 A1* 3/2010 Wang H04W 64/00
342/357.43

2010/0306655 A1* 12/2010 Mattingly G06Q 10/10
715/720
2011/0011247 A1* 1/2011 Kodama G10H 1/0008
84/622
2011/0161878 A1* 6/2011 Stallings G06F 3/0482
715/811
2011/0200136 A1* 8/2011 Song H04L 1/0057
375/295
2011/0275416 A1* 11/2011 Chang G11B 27/034
455/566
2012/0099506 A1* 4/2012 Song G11B 20/57
370/312
2012/0101606 A1* 4/2012 Miyajima G10H 1/40
700/94
2014/0000441 A1* 1/2014 Miyajima G10H 1/0008
84/609
2014/0173457 A1* 6/2014 Wang G06F 3/0488
715/752
2015/0194186 A1* 7/2015 Lee G11B 27/034
386/224
2015/0229987 A1* 8/2015 Kim H04N 21/4316
725/34

* cited by examiner

FIG. 1

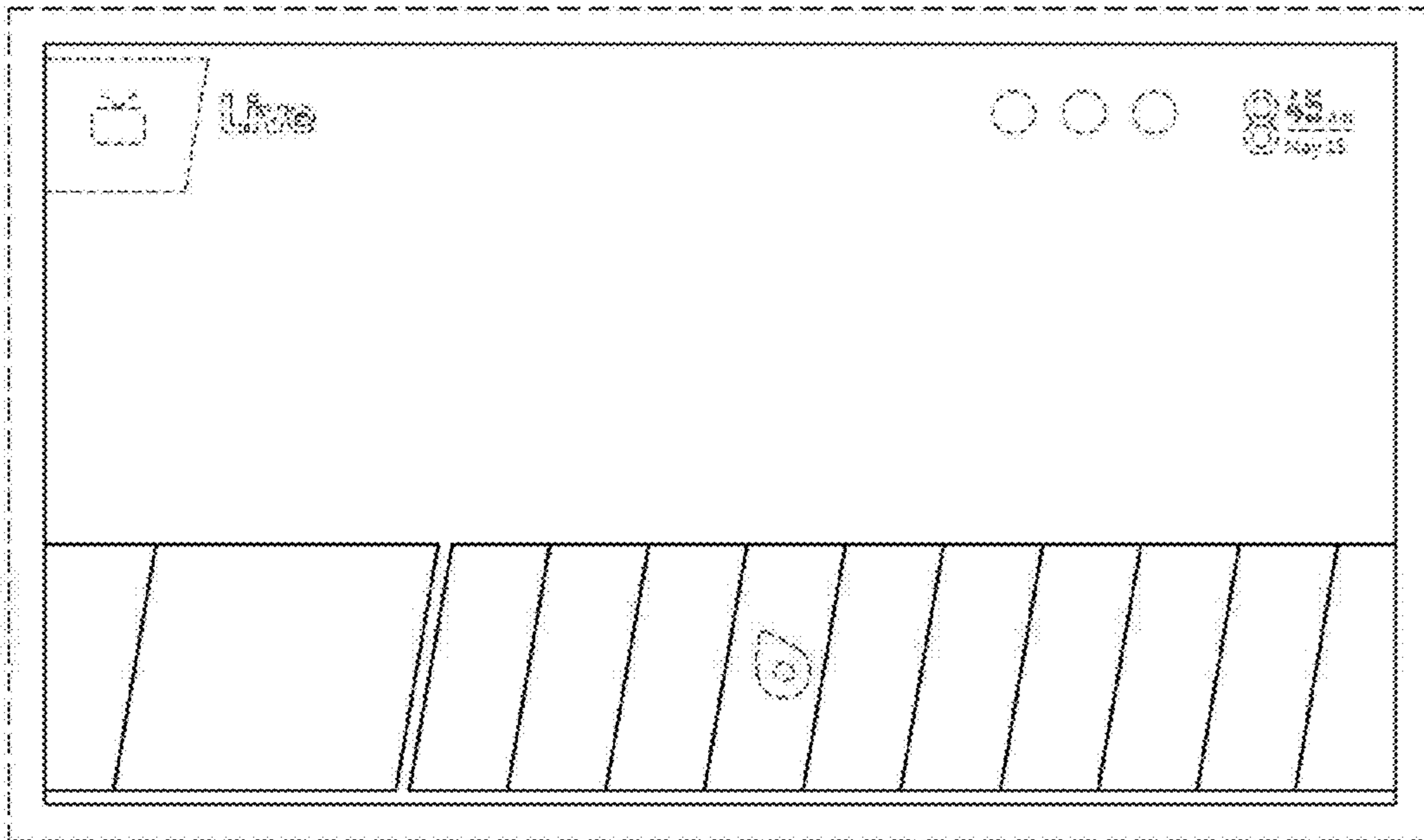


FIG. 2

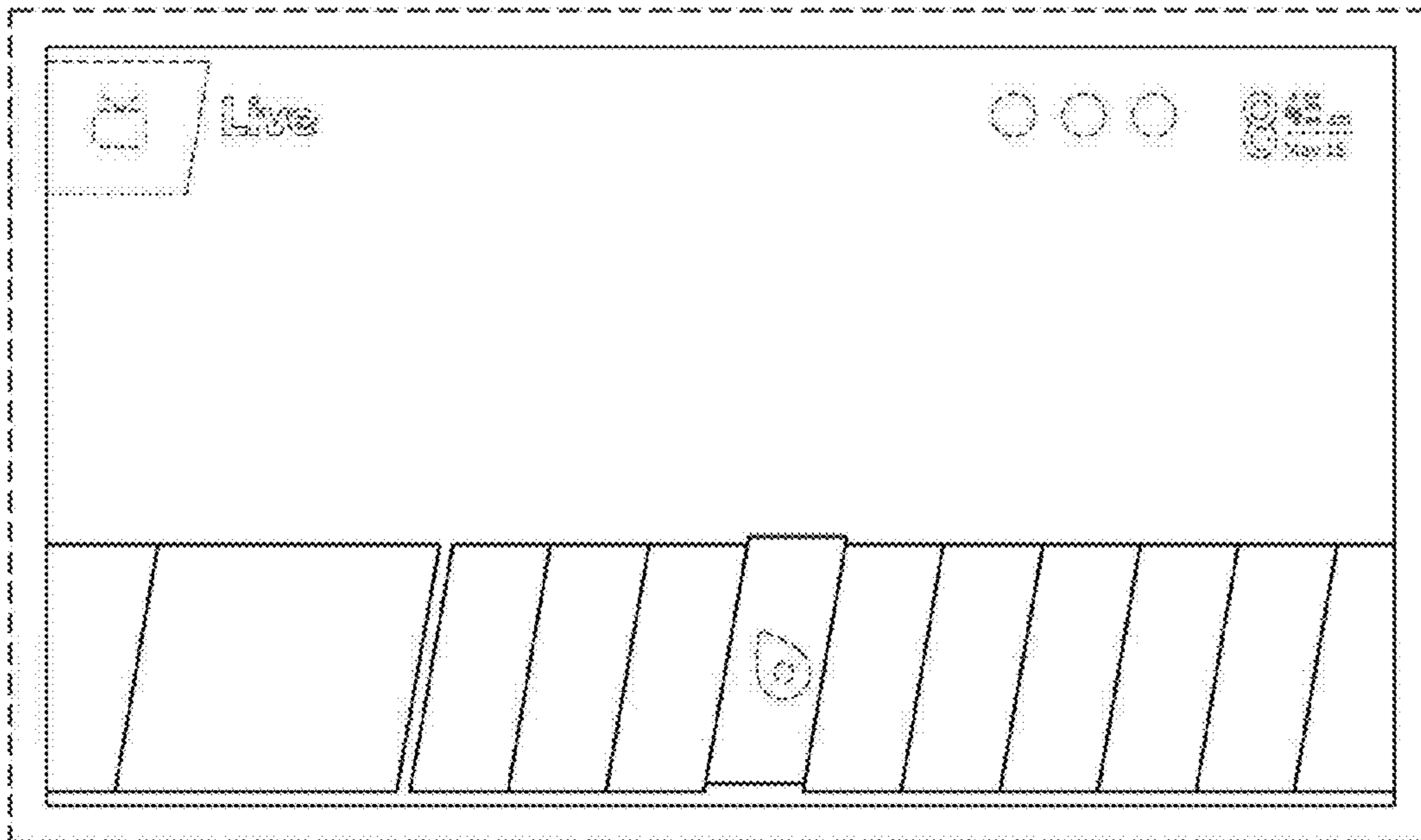


FIG. 3

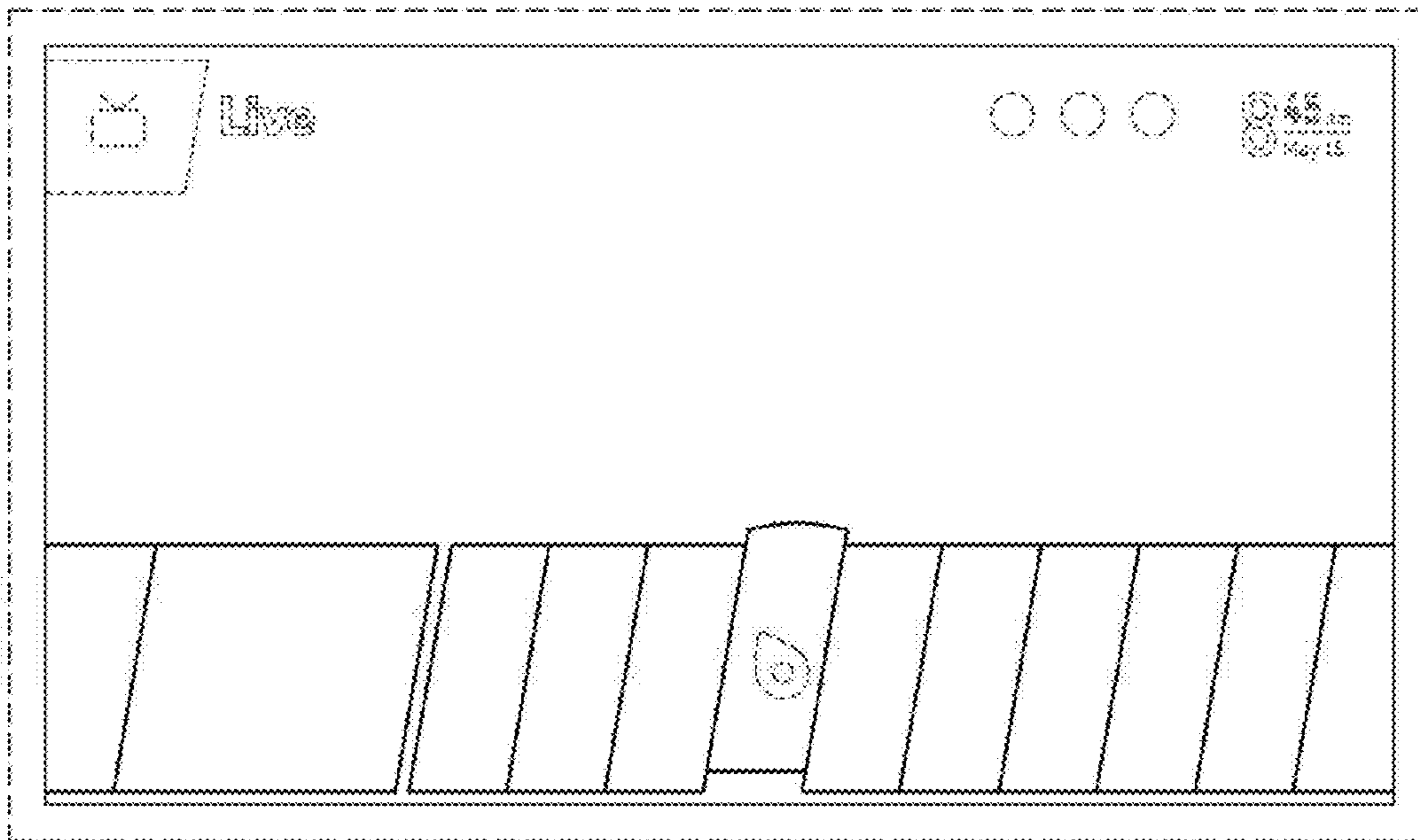


FIG. 4

