



US00D757021S

(12) **United States Design Patent**
Won et al.

(10) **Patent No.:** **US D757,021 S**
(45) **Date of Patent:** **** May 24, 2016**

(54) **STAND FOR MONITOR**

(71) Applicant: **Samsung Electronics Co., Ltd.**,
Suwon-si (KR)

(72) Inventors: **Tae-Yeon Won**, Seoul (KR); **Gil-Jae Lee**, Seoul (KR)

(73) Assignee: **Samsung Electronics Co., Ltd.**,
Suwon-si (KR)

(**) Term: **14 Years**

(21) Appl. No.: **29/525,350**

(22) Filed: **Apr. 29, 2015**

(30) **Foreign Application Priority Data**

Dec. 26, 2014 (KR) 30-2014-0063475

(51) **LOC (10) Cl.** **08-07**

(52) **U.S. Cl.**
USPC **D14/451**

(58) **Field of Classification Search**

USPC D14/371-382, 125-129, 336, 337,
D14/447-452, 492, 335, 239, 457, 439-441,
D14/432, 251-253; D8/349, 354, 363, 373,
D8/376, 380; D21/333; D12/415; D3/218;
348/180, 184, 325, 739, 825
CPC G06F 3/0412; G06F 3/016; G06F 3/0488;
G06F 3/011; G06F 3/038; G06F 3/03543;
G06F 3/0338; G06F 3/0202; G06F 3/0219;
G06F 3/0213; G06F 1/1616; G06F 3/023;
G06F 3/04883; G02F 1/13338; G02F 1/1313;
G02F 1/1333; G02F 1/135; G02F 1/132;
G02F 1/133308; G02F 1/134309; G02F
1/13718; G09G 3/3648; G06K 15/1252;
B41J 2/465; G03F 7/70291; G02B 27/0172;
G02B 5/30; G02B 2027/0118; G02B 27/0101;
F16M 13/02; F16M 13/00; F16M 11/10;
F16M 11/04; F16M 2200/08; F16M 11/2021;
A47B 21/0314; A47B 88/044; A47B
2021/0335; H02G 3/126; F16B 47/00; F16B
47/006; A47G 1/17; A47K 2201/00

See application file for complete search history.

(56) **References Cited**

U.S. PATENT DOCUMENTS
D463,440 S * 9/2002 Oba D14/447
D494,595 S * 8/2004 Lin D14/447

(Continued)

FOREIGN PATENT DOCUMENTS

EM 001070569-0001 3/2009
KR 30-2010-0033531 9/2011

(Continued)

Primary Examiner — Garth Rademaker

Assistant Examiner — Katie Mroczka

(74) *Attorney, Agent, or Firm* — NSIP Law

(57) **CLAIM**

We claim the ornamental design for a stand for monitor, as shown and described.

DESCRIPTION

FIG. 1 is a front perspective view of a stand for monitor showing our new design;

FIG. 2 is a front view thereof;

FIG. 3 is a rear view thereof;

FIG. 4 is a left-side view thereof;

FIG. 5 is a right-side view thereof;

FIG. 6 is a top view thereof;

FIG. 7 is a bottom view thereof; and,

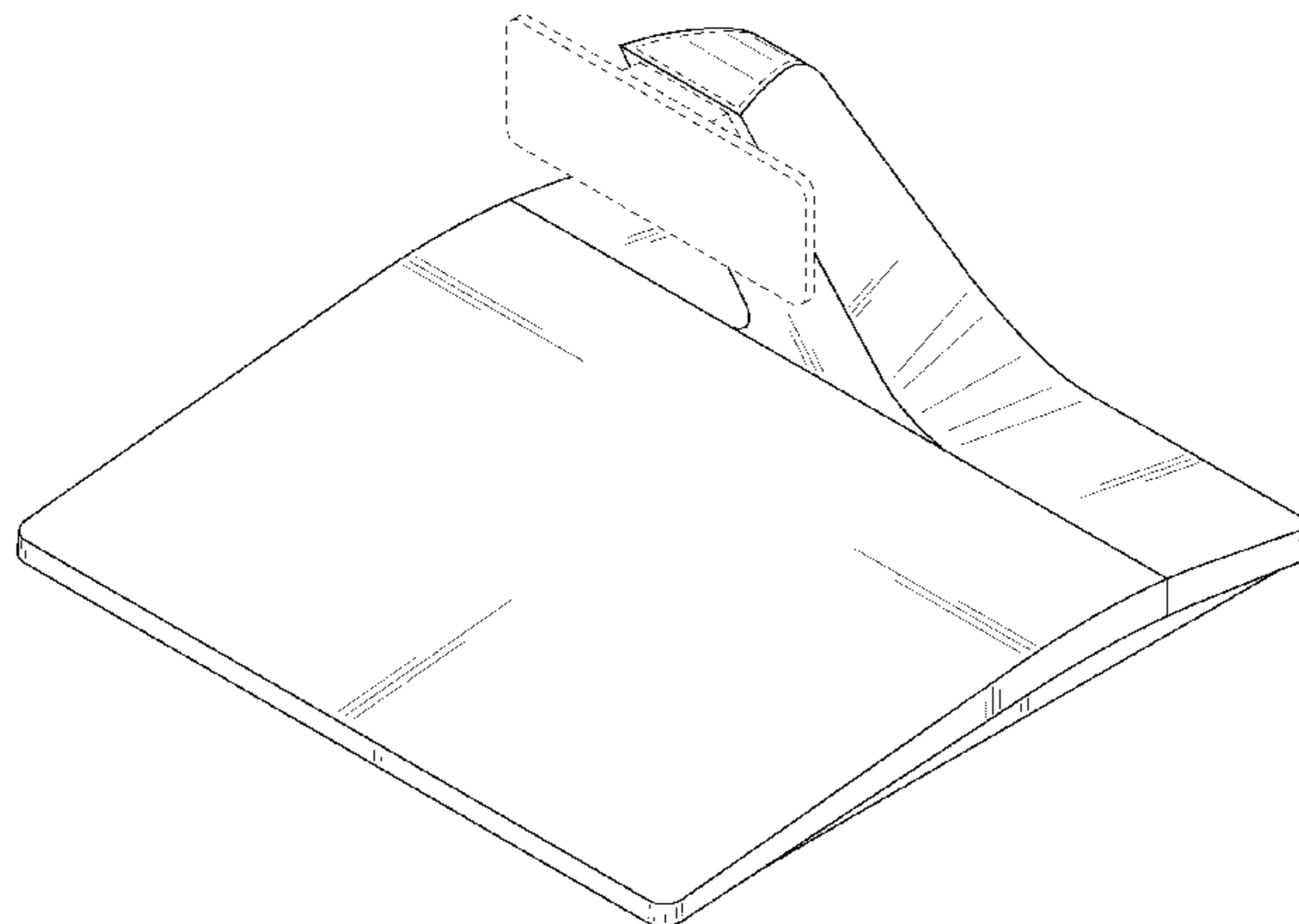
FIG. 8 is a front perspective view of the stand for monitor in which a monitor is provided in broken lines to illustrate an example environment;

FIG. 9 is a rear perspective view of the stand for monitor in which a monitor is provided in broken lines to illustrate an example environment; and,

FIG. 10 is a right-side view of the stand for monitor in which a monitor is provided in broken lines to illustrate an example environment.

The broken lines shown in FIGS. 1-6 illustrate portions of the stand for monitor that form no part of the claimed design. The broken lines illustrating a monitor in FIGS. 8-10 are environment, while the remaining broken lines in FIGS. 9 and 10 illustrate portions of the stand for monitor that form no part of the claimed design.

1 Claim, 10 Drawing Sheets



(56)

References Cited

U.S. PATENT DOCUMENTS

D628,578 S * 12/2010 Chou D14/451
D684,944 S * 6/2013 Seong D14/126
D703,631 S * 4/2014 Hallar D14/126
D706,734 S 6/2014 Takami et al.
D718,748 S * 12/2014 Pan D14/159
D725,057 S * 3/2015 Seo D14/126
D725,087 S * 3/2015 Kim D14/239

D727,923 S * 4/2015 Yum D14/451
D738,338 S * 9/2015 Lee D14/126
D741,274 S * 10/2015 Joe D14/126
D742,343 S * 11/2015 Moon D14/126

FOREIGN PATENT DOCUMENTS

KR 30-2011-0052231 11/2012
KR 30-2011-0053023 11/2012

* cited by examiner

FIG. 1

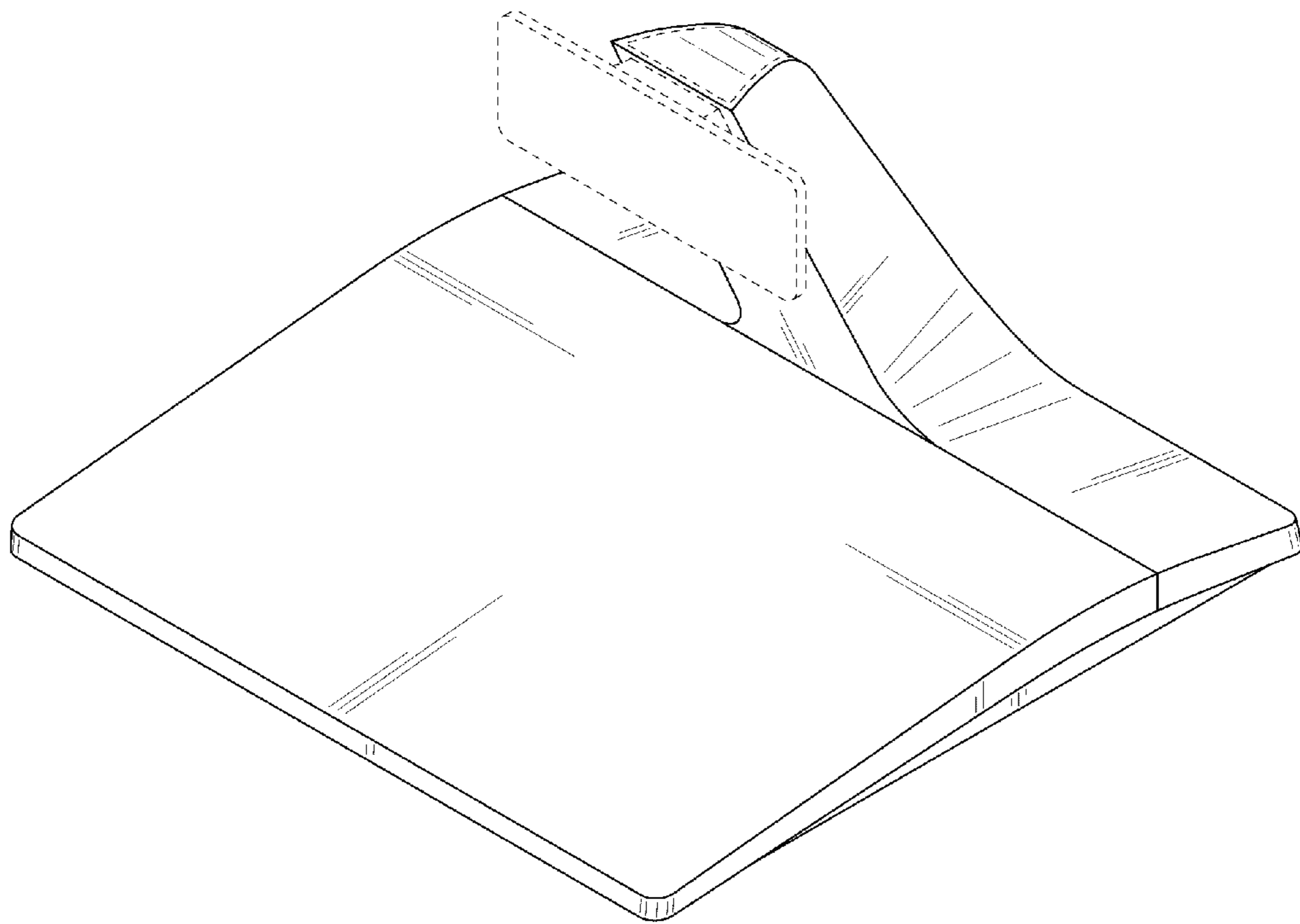


FIG. 2

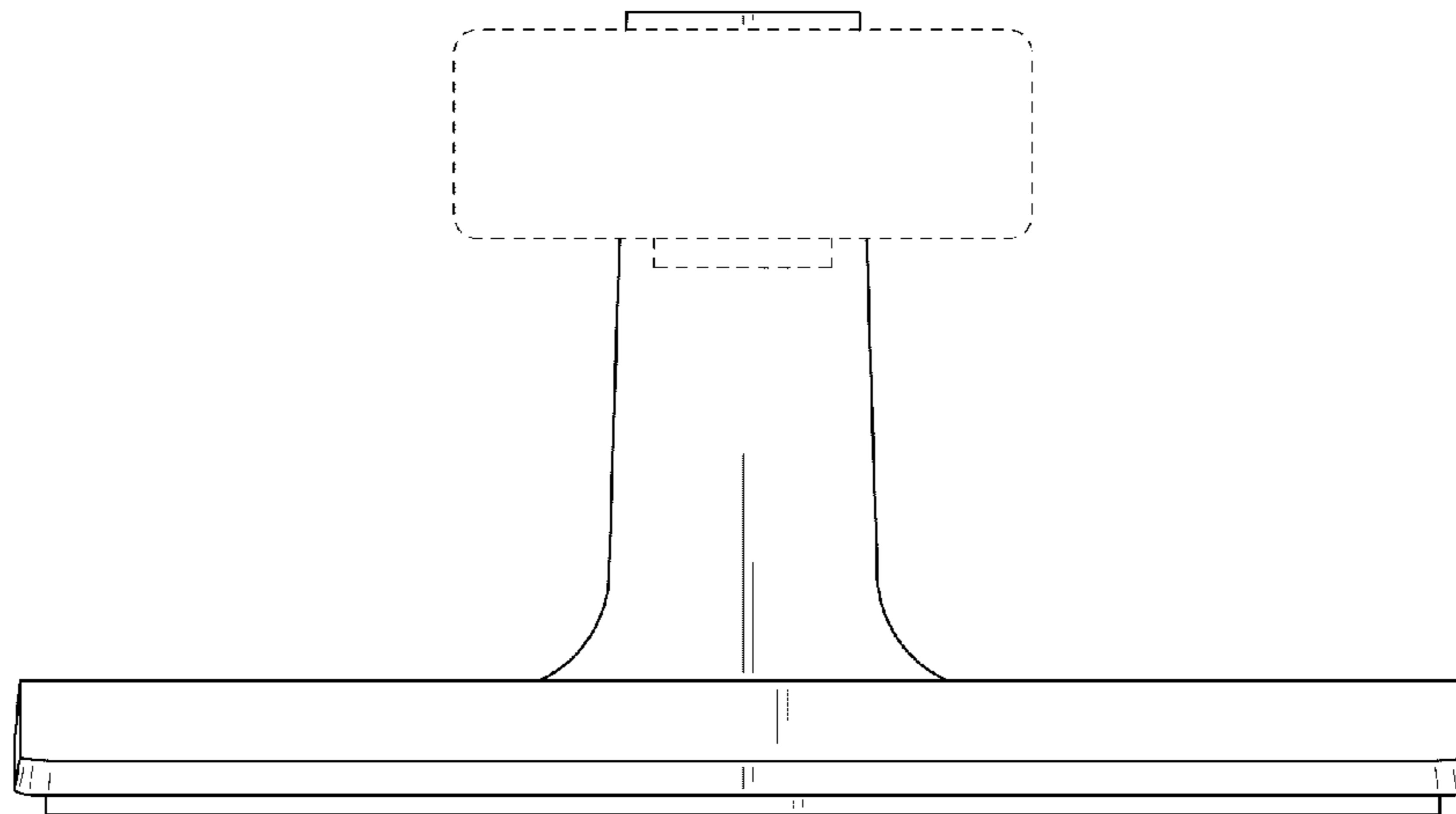


FIG. 3

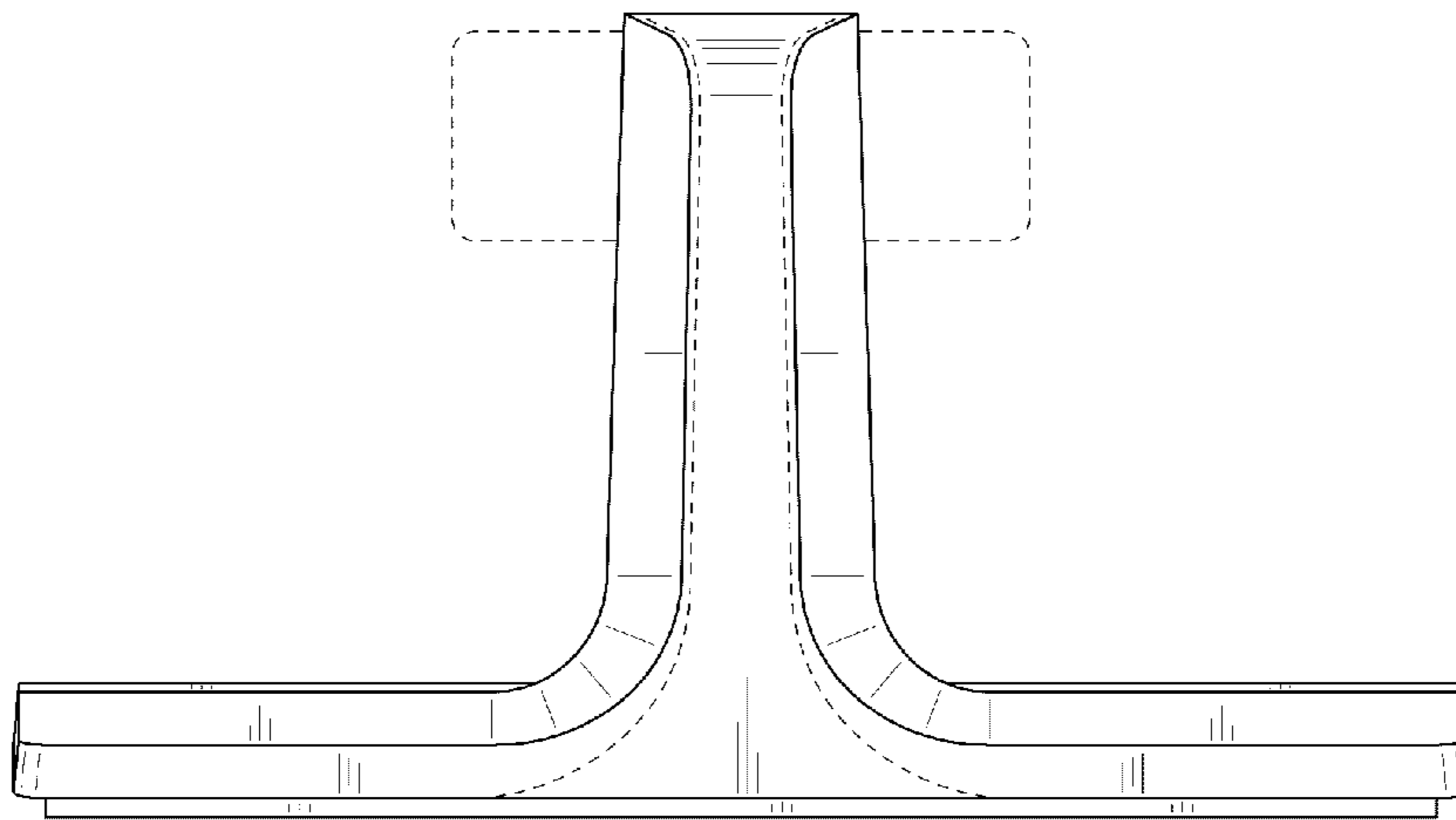


FIG. 4

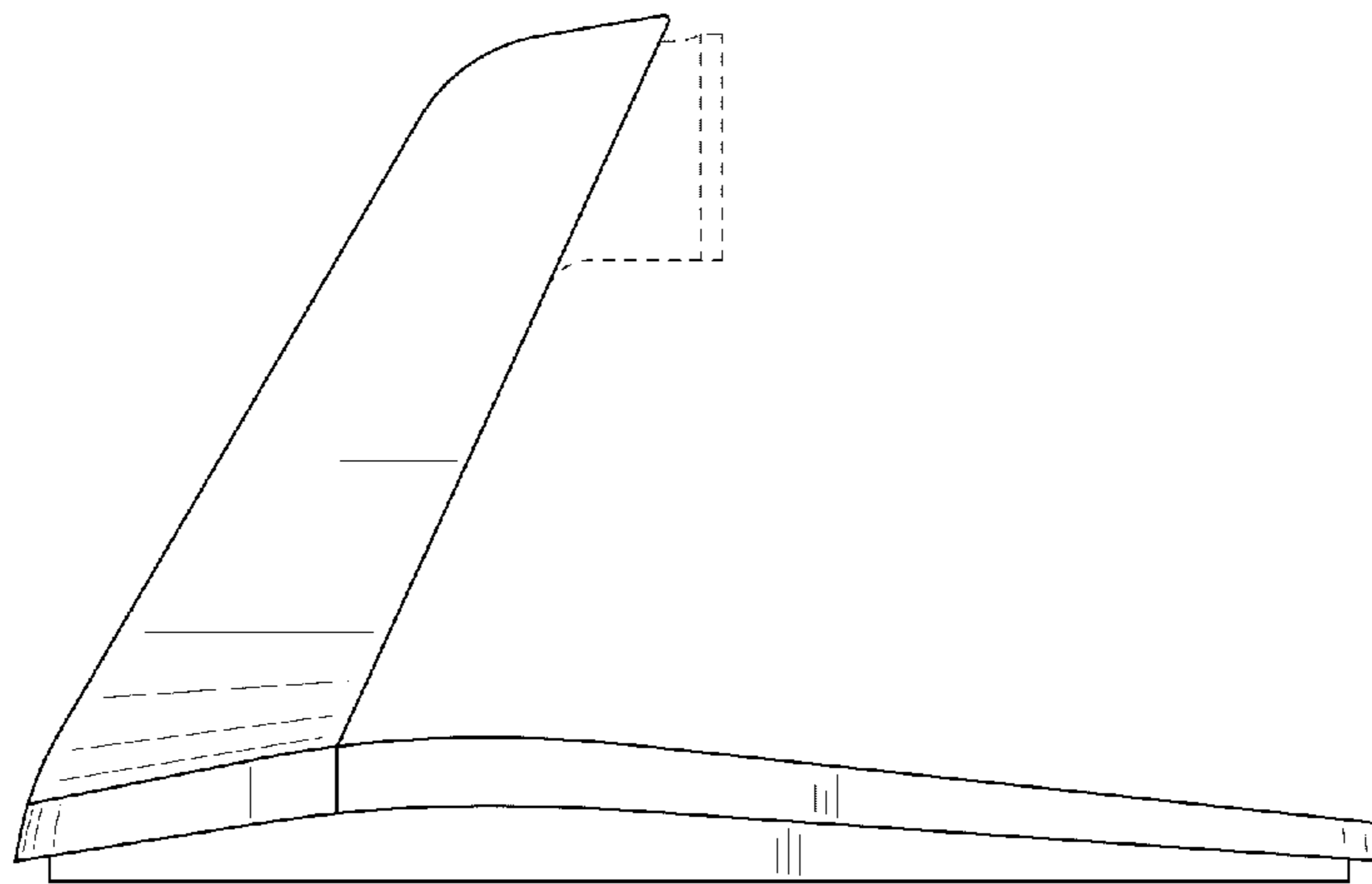


FIG. 5

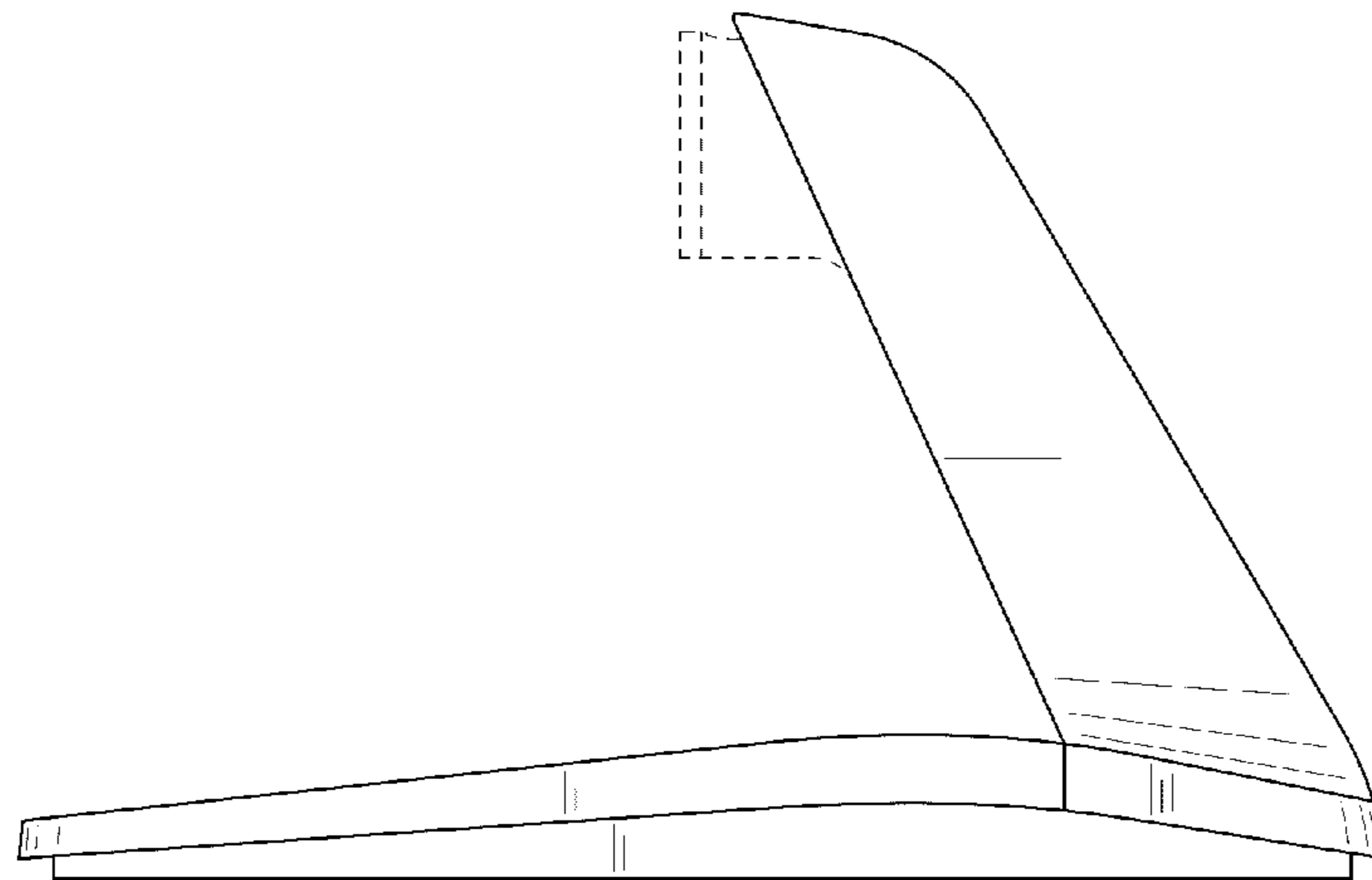


FIG. 6

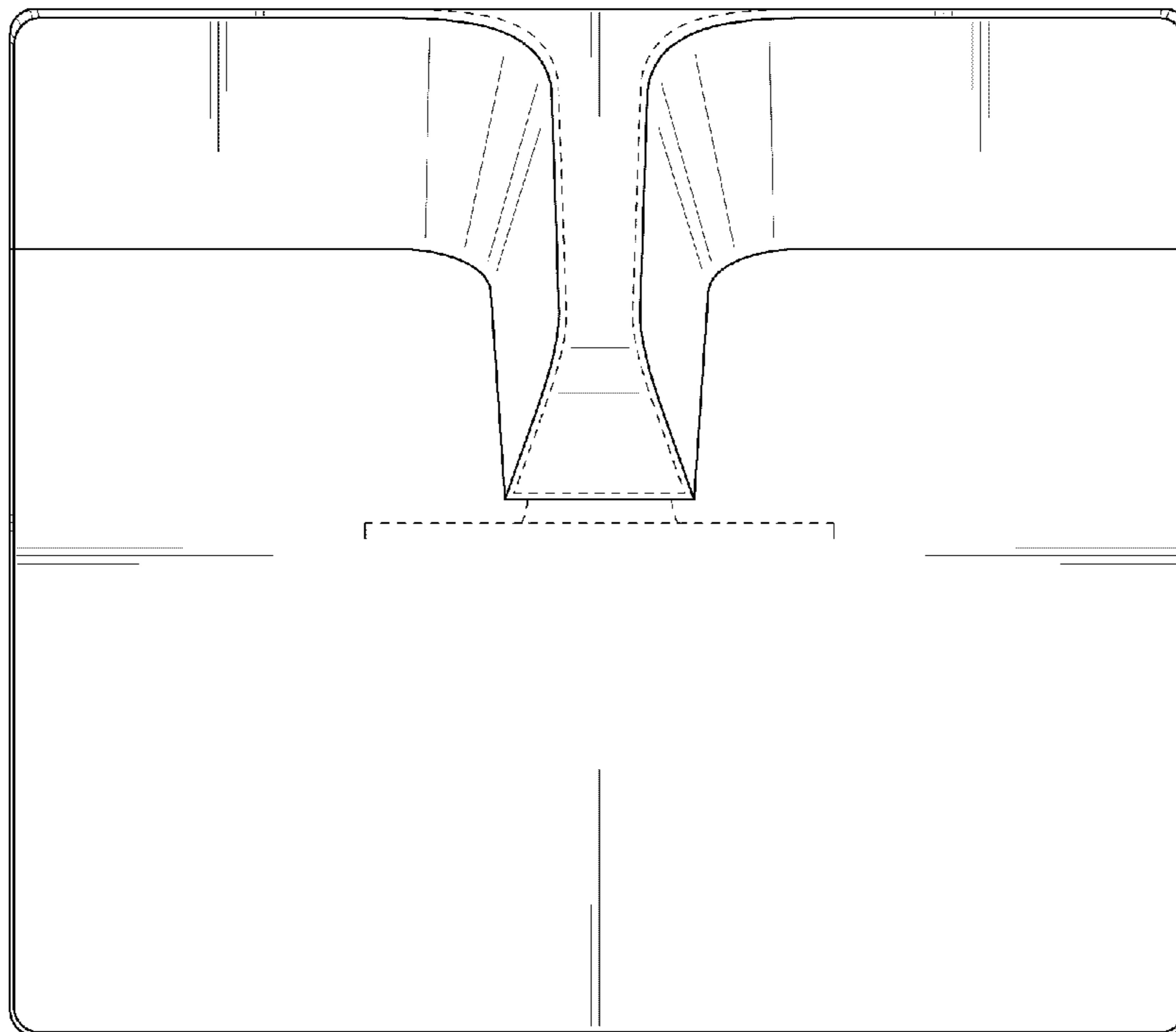


FIG. 7

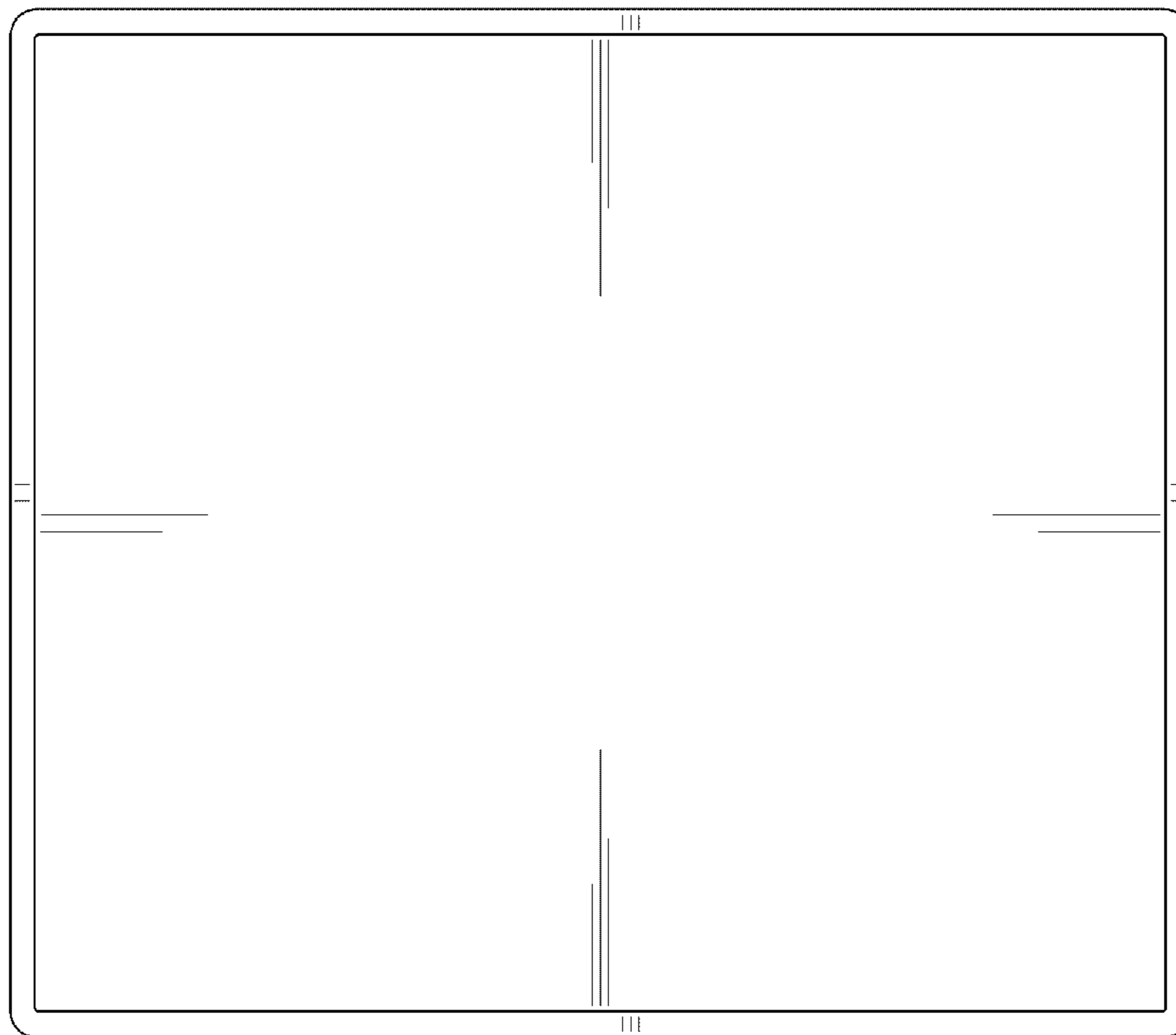


FIG. 8

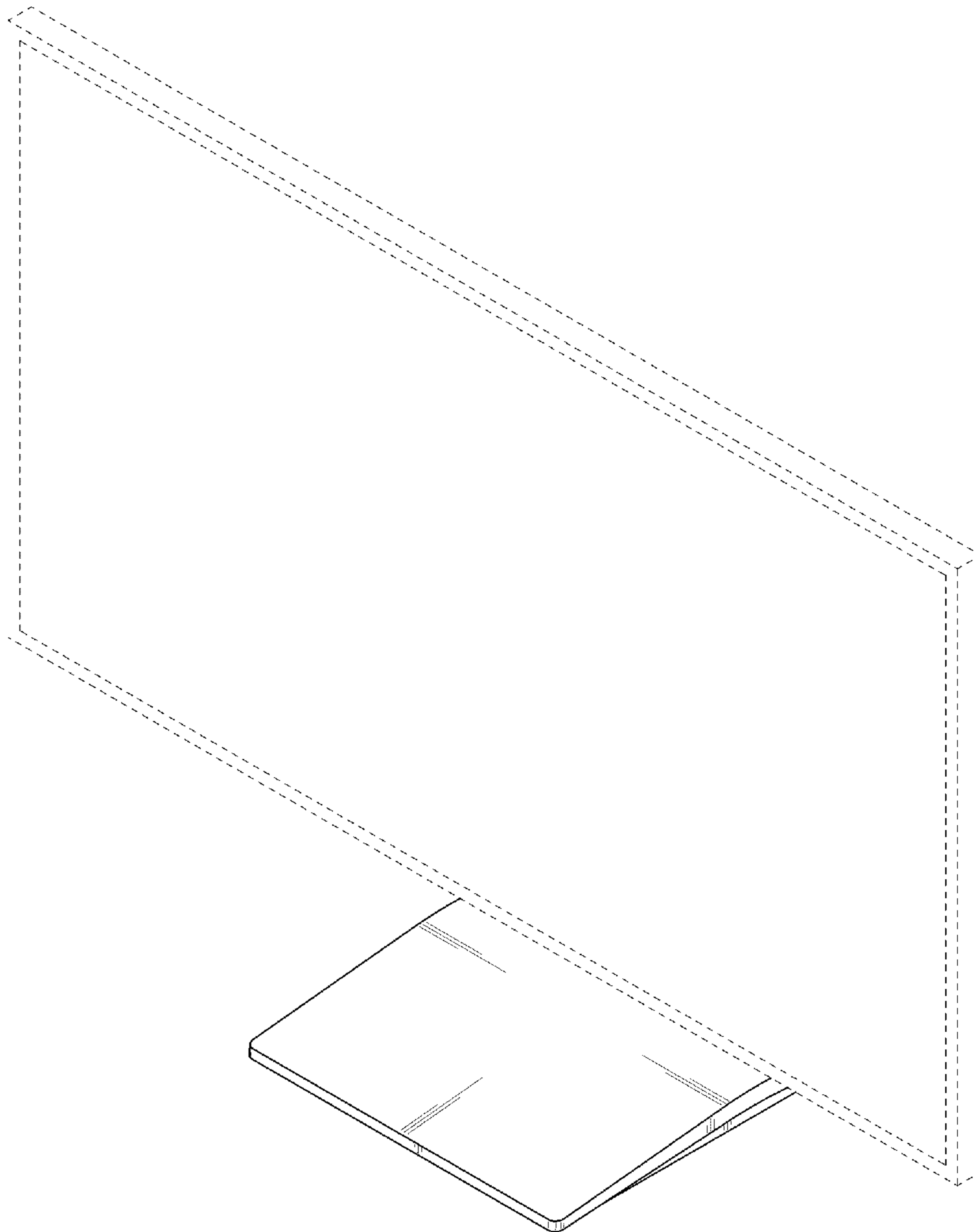


FIG. 9

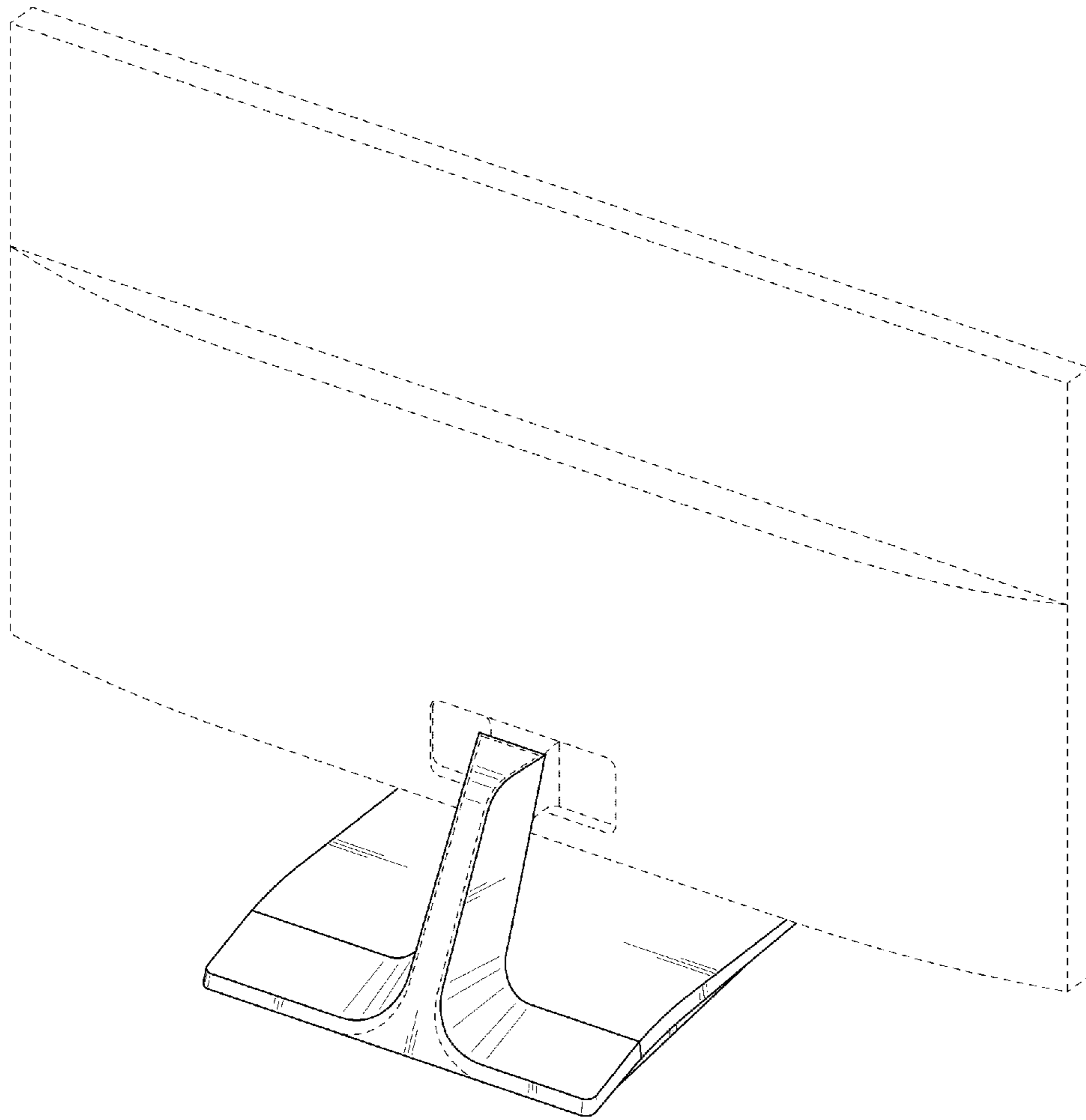


FIG. 10

