



US00D757020S

(12) **United States Design Patent**
Kim et al.

(10) **Patent No.:** **US D757,020 S**

(45) **Date of Patent:** **** May 24, 2016**

(54) **FURNITURE FOR A TELEVISION RECEIVER**

(71) Applicant: **Samsung Electronics Co., Ltd.**,
Suwon-si, Gyeonggi-do (KR)

(72) Inventors: **Sangtae Kim**, Seongnam-si (KR);
Chiwon Kim, Gunpo-si (KR); **Jungwon Yang**, Seoul (KR); **Soo Hyun Jung**, Seoul (KR)

(73) Assignee: **SAMSUNG ELECTRONICS CO., LTD.** (KR)

(**) Term: **14 Years**

(21) Appl. No.: **29/480,972**

(22) Filed: **Jan. 31, 2014**

(30) **Foreign Application Priority Data**

Jul. 31, 2013 (KR) 30-2013-0039681

(51) **LOC (10) Cl.** **08-07**

(52) **U.S. Cl.**
USPC **D14/451; D6/672**

(58) **Field of Classification Search**
USPC D14/371-382, 125-129, 336, 337,
D14/447-452, 492, 335, 239, 457, 439-441,
D14/432, 251-253; D8/349, 354, 363, 373,
D8/376, 380; D21/333; D12/415; D3/218;
348/180, 184, 325, 739, 825; 248/323,
248/278.1, 286.1; D6/660, 661, 671, 672,
D6/675, 675.1-675.3, 682, 677.1, 678.1,
D6/678.2, 681.2

CPC G06F 3/0412; G06F 3/016; G06F 3/0488;
G06F 3/011; G06F 3/038; G06F 3/03543;
G06F 3/0338; G06F 3/0202; G06F 3/0219;
G06F 3/0213; G06F 1/1616; G06F 3/023;
G06F 3/04883; G09G 3/3648; G02F 1/13338;
G02F 1/1313; G02F 1/1333; G02F 1/135;
G02F 1/132; G02F 1/133308; G02F 1/13409;
G02F 1/13718; G06K 15/1252; B41J 2/465;
G03F 7/70291; G02B 27/0172; G02B 5/30;

G02B 2027/0118; G02B 27/0101; F16M
13/02; F16M 13/00; F16M 11/10; F16M
11/04; F16M 2200/08; F16M 11/2021;
A47B 21/0314; A47B 88/044; A47B
2021/0335; H02G 3/126; F16B 47/00; F16B
47/006; A47G 1/17; A47K 2201/00

See application file for complete search history.

(56) **References Cited**

U.S. PATENT DOCUMENTS

D364,987 S * 12/1995 Chow D6/407
D379,993 S * 6/1997 Devitt D14/149
D394,266 S * 5/1998 Hogenbirk D14/240
D401,580 S * 11/1998 Goto D14/155
D406,712 S * 3/1999 Bidwell D6/675
D457,153 S * 5/2002 Allen D14/168
D486,456 S * 2/2004 Fujiki D14/126
D505,129 S * 5/2005 Yuyama D14/168
D506,328 S * 6/2005 Inoue D6/678.1

(Continued)

Primary Examiner — Deanna L Pratt

Assistant Examiner — Katie Mroczka

(74) *Attorney, Agent, or Firm* — Cantor Colburn LLP

(57) **CLAIM**

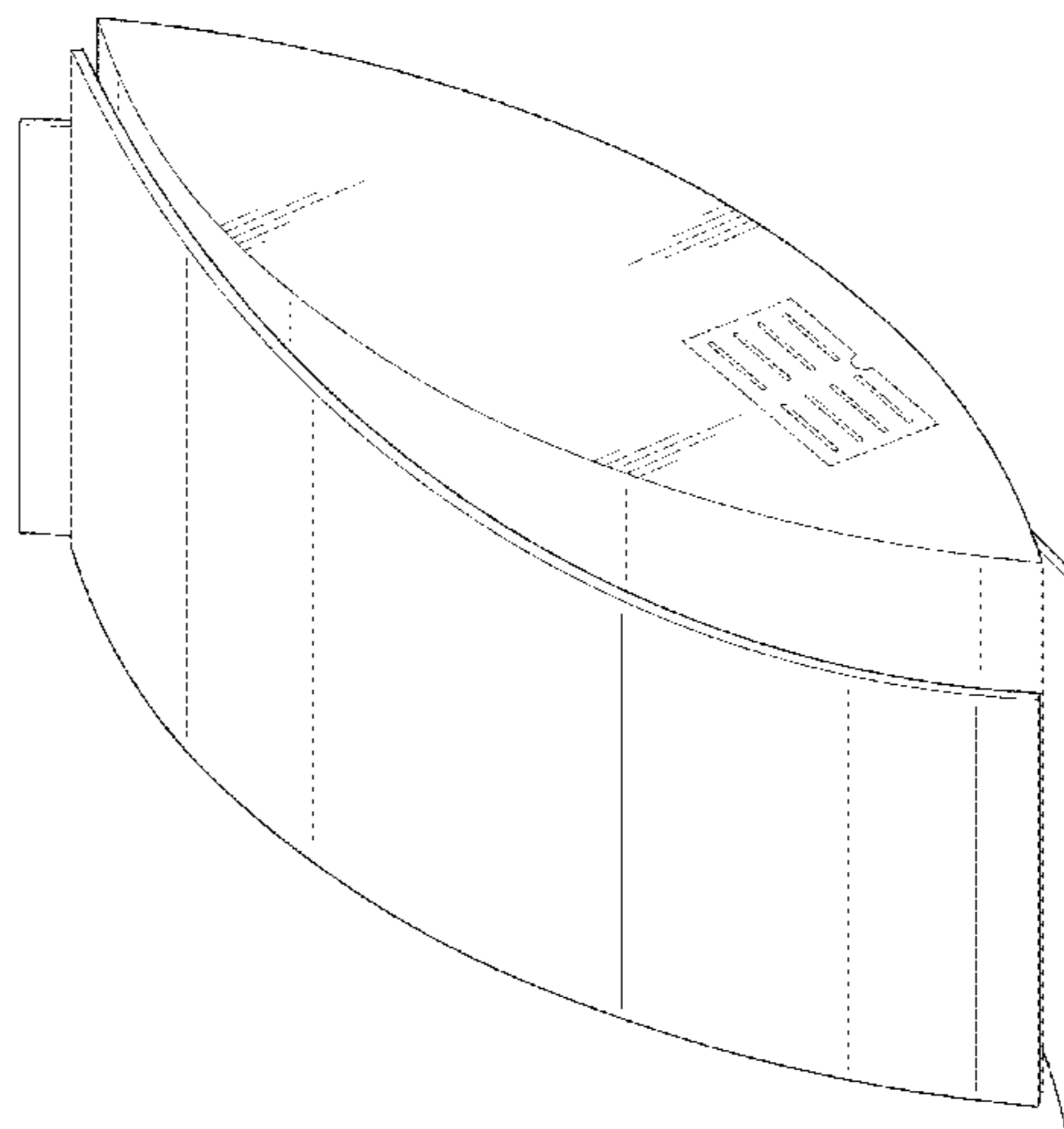
We claim, the ornamental design for furniture for a television receiver, as shown and described.

DESCRIPTION

FIG. 1 is a front perspective view of furniture for a television receiver showing our new design;
FIG. 2 is a front elevation view thereof;
FIG. 3 is a rear elevation view thereof;
FIG. 4 is a side elevation view thereof;
FIG. 5 is another side elevation view thereof;
FIG. 6 is a top plan view thereof; and,
FIG. 7 is a bottom plan view thereof.

The broken lines in FIGS. 1-7 illustrating portions of the furniture for a television receiver form no part of the claimed design.

1 Claim, 6 Drawing Sheets



(56)

References Cited

U.S. PATENT DOCUMENTS

D511,759 S * 11/2005 Allen D14/500
D525,456 S * 7/2006 Alves D6/672
D532,784 S * 11/2006 Kutaragi D14/356
D534,165 S * 12/2006 Pila D14/239
D539,261 S * 3/2007 Hyodo D14/507

D585,215 S * 1/2009 Rosenberg D6/672
7,687,711 B2 * 3/2010 Kutaragi G06F 1/16
174/50
D641,731 S * 7/2011 Hoggarth D14/216
D719,555 S * 12/2014 Yoon D14/239
D724,050 S * 3/2015 Sogabe D14/188
D728,524 S * 5/2015 Cho D14/216
D730,869 S * 6/2015 Lee D14/214

* cited by examiner

FIG. 1

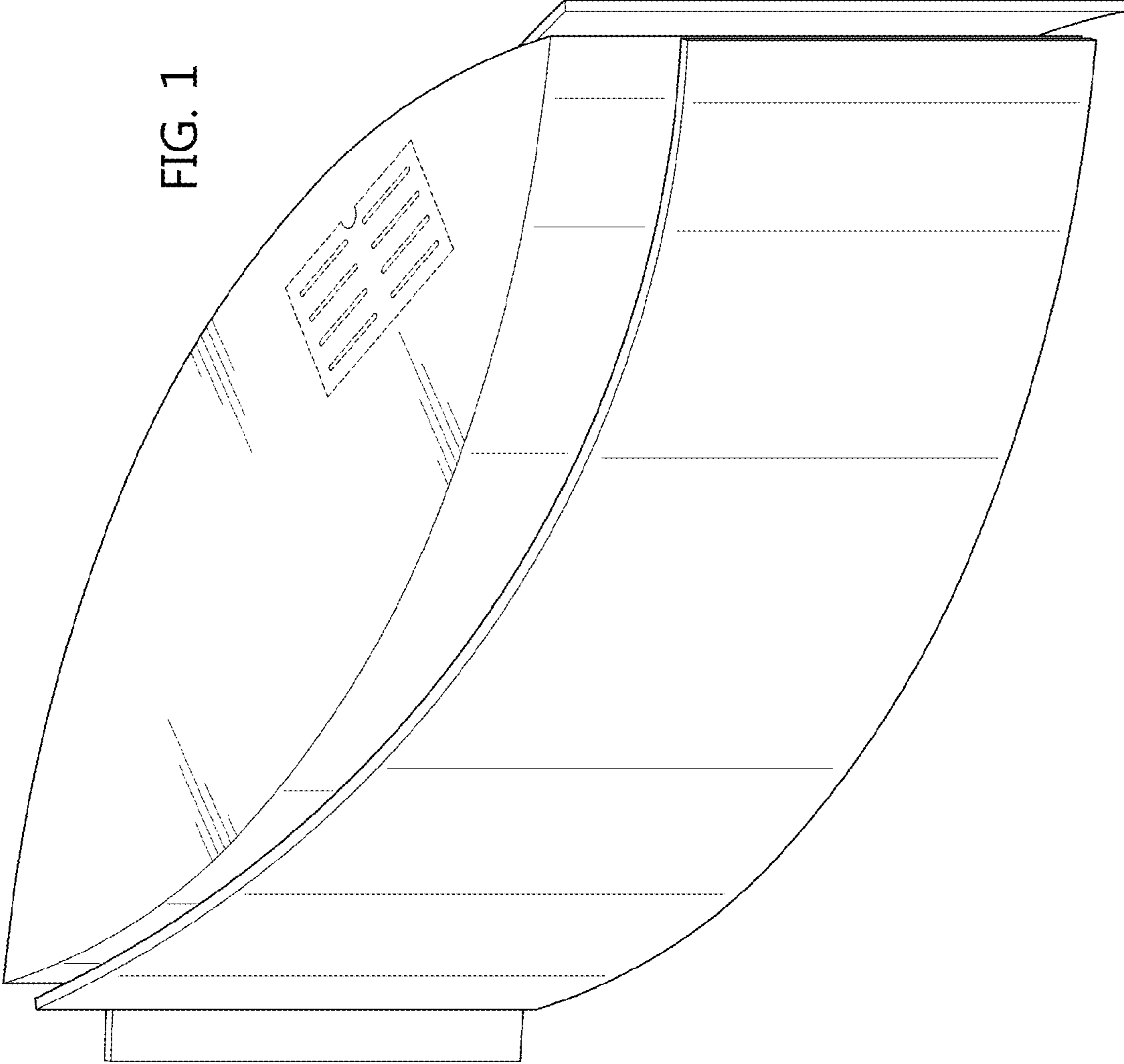


FIG. 2

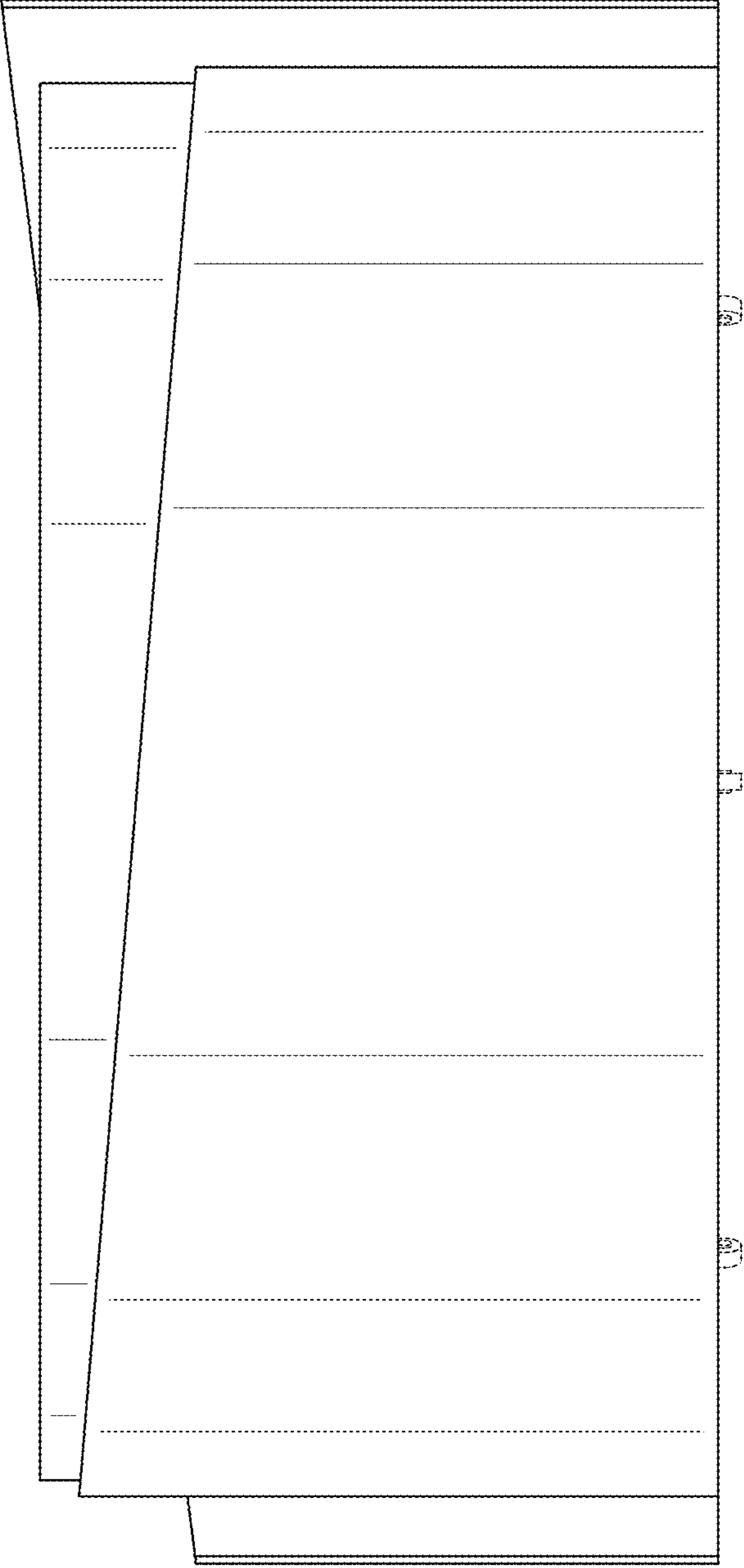


FIG. 3

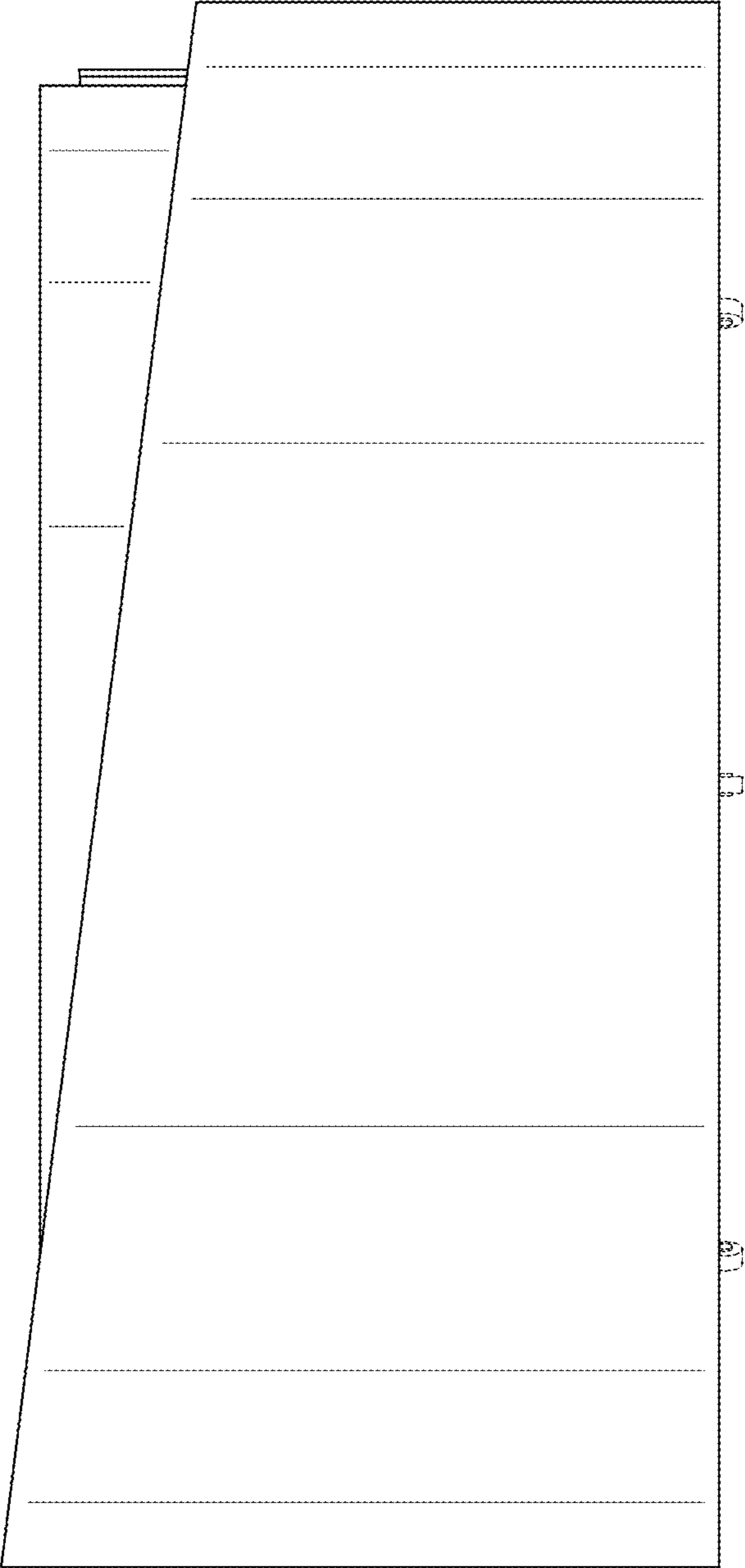


FIG. 5

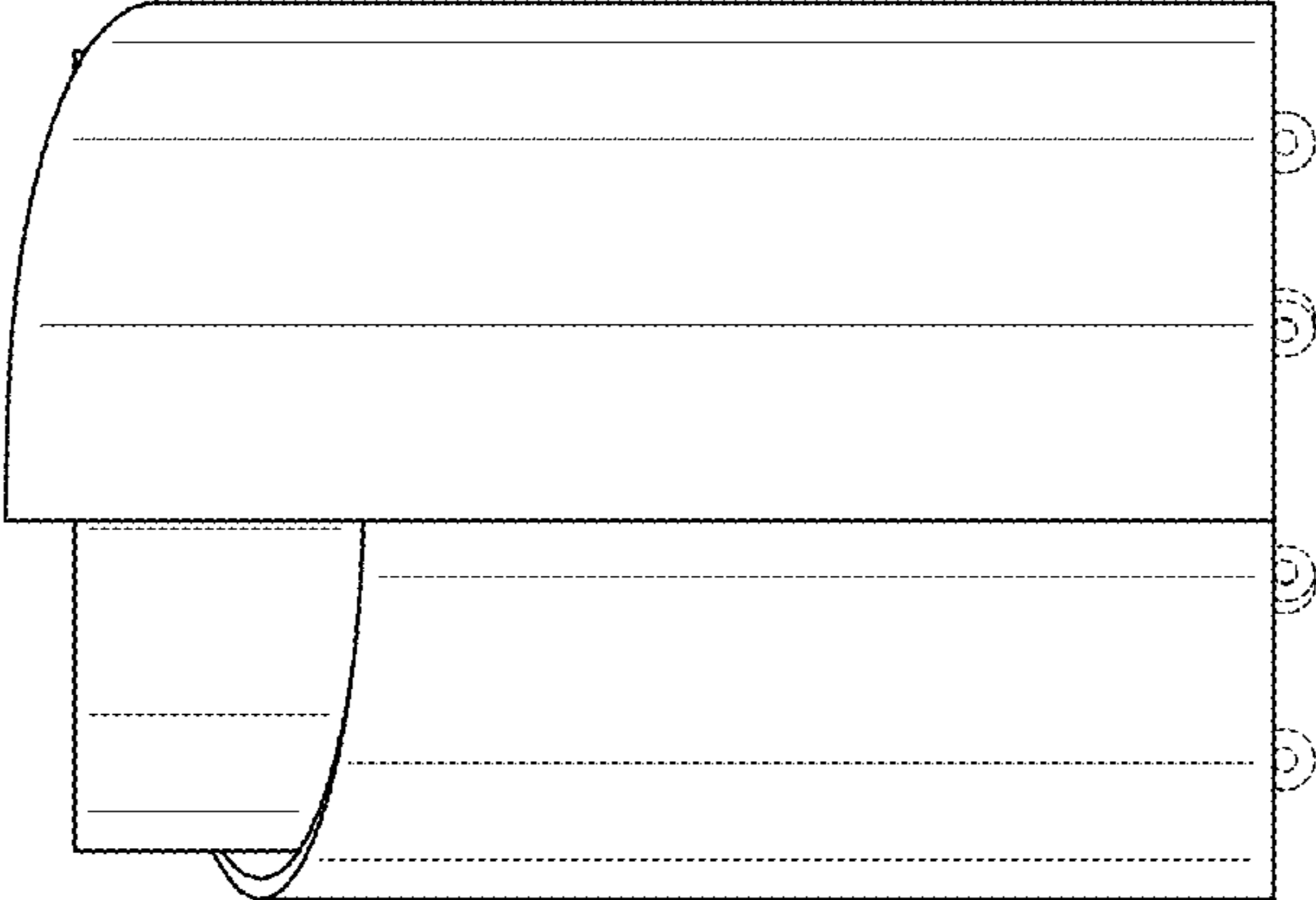


FIG. 4

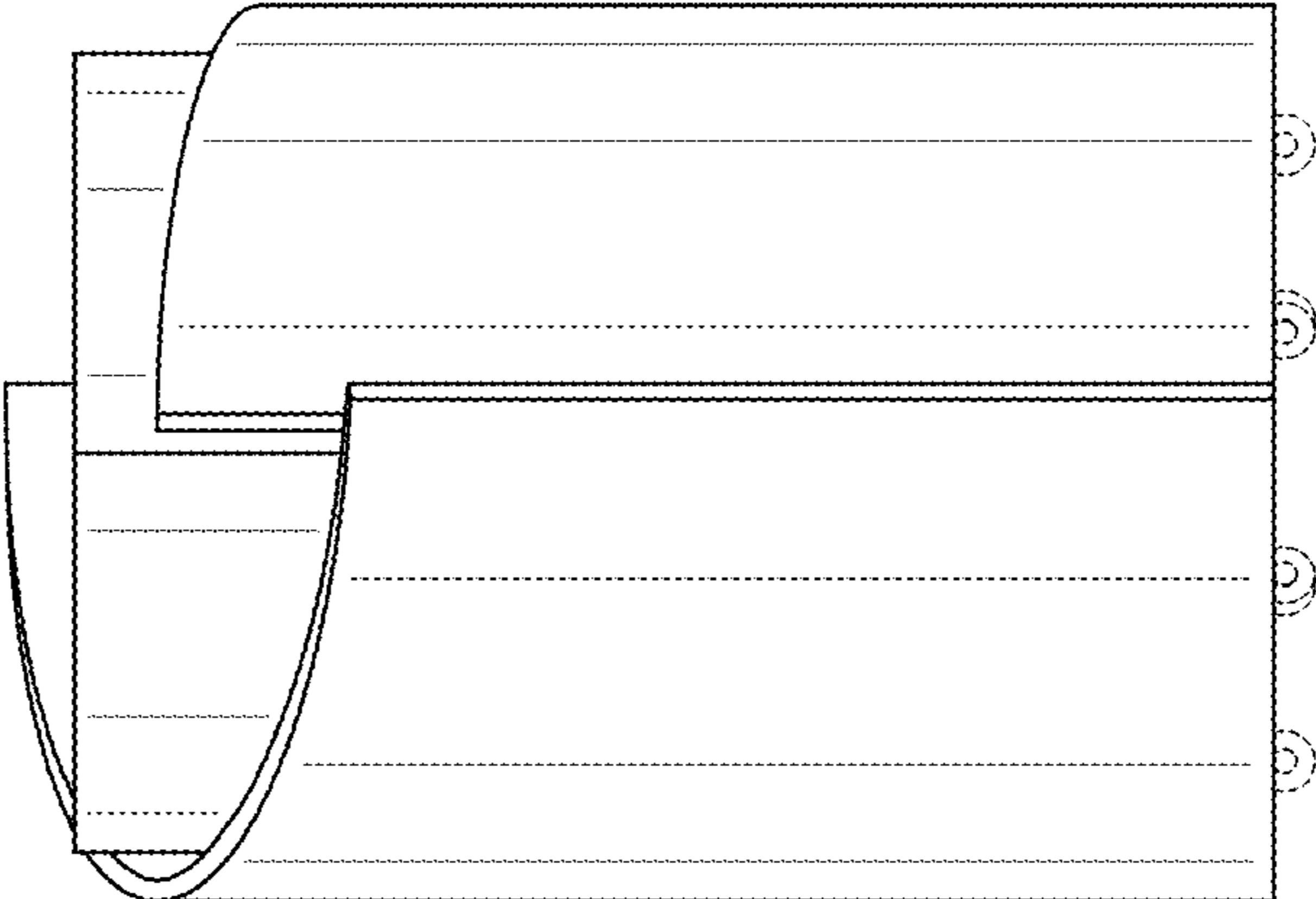


FIG. 6

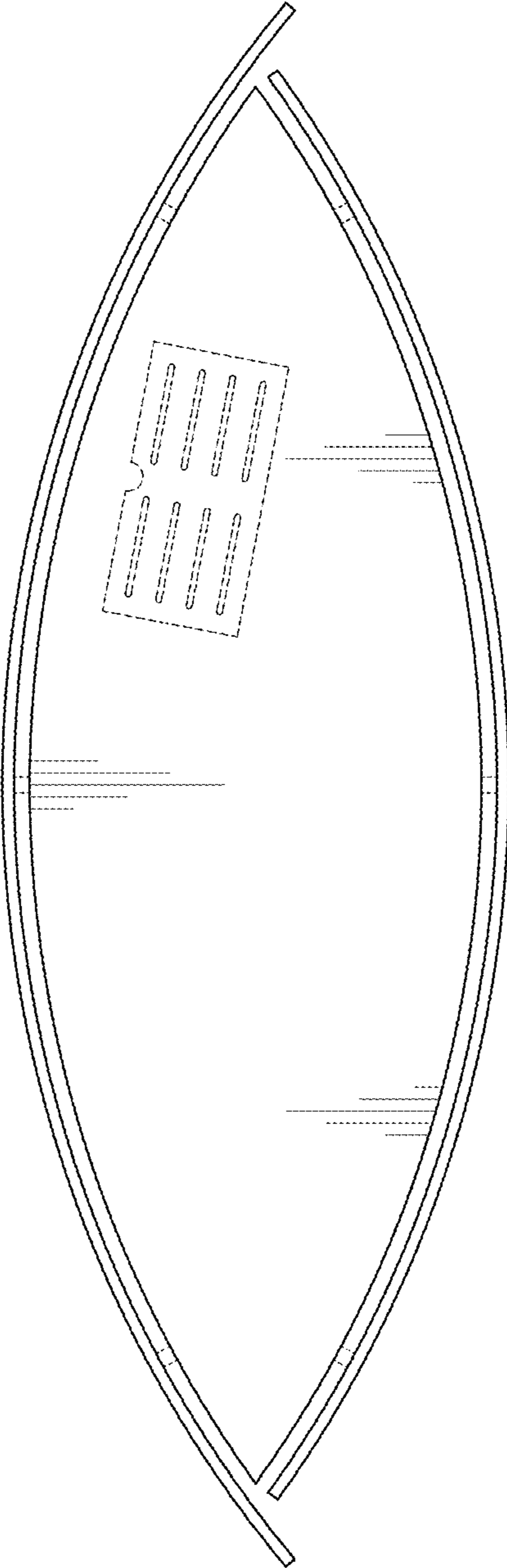


FIG. 7

