



US00D757019S

(12) **United States Design Patent**
Pitteri

(10) **Patent No.:** **US D757,019 S**
(45) **Date of Patent:** **** May 24, 2016**

(54) **PORTABLE STAND FOR LAPTOP
COMPUTER**

(71) Applicant: **Silvio Pitteri**, Brussels (BE)

(72) Inventor: **Silvio Pitteri**, Brussels (BE)

(**) Term: **14 Years**

(21) Appl. No.: **29/476,817**

(22) Filed: **Dec. 17, 2013**

(30) **Foreign Application Priority Data**

Jun. 20, 2013 (EM) 002259333

(51) **LOC (10) Cl.** **08-07**

(52) **U.S. Cl.**
USPC **D14/447**

(58) **Field of Classification Search**
USPC D14/447, 432, 434, 439, 440, 451, 452,
D14/239, 251, 253, 217, 374, 375;
D6/406.3, 406.4, 406.5, 601; D3/218;
D12/415; 248/917-924, 445, 447, 451,
248/455, 460, 150, 188.6, 176.1;
361/679.09, 679.21, 679.22, 679.26,
361/679.3, 679.55, 679.56

See application file for complete search history.

(56) **References Cited**

U.S. PATENT DOCUMENTS

4,925,144 A 5/1990 White
5,404,962 A * 4/1995 Carter 182/153
D390,209 S * 2/1998 Dials et al. D14/451
D410,910 S * 6/1999 Martell D14/457
6,189,844 B1 * 2/2001 Chang 248/176.1
D483,767 S * 12/2003 Green et al. D14/451
D590,833 S * 4/2009 O'Connor D14/447

8,089,750 B2 * 1/2012 Chen et al. 361/679.26
D659,147 S * 5/2012 Hu et al. D14/447
D689,500 S * 9/2013 Faulk D14/447
D701,212 S * 3/2014 Blevins D14/447
D704,195 S * 5/2014 Marquette D14/447
2003/0079661 A1 5/2003 Luu
2003/0173476 A1 * 9/2003 Masuda et al. 248/163.1
2007/0120034 A1 5/2007 Sparling
2014/0124631 A1 * 5/2014 Olander 248/164

FOREIGN PATENT DOCUMENTS

EP 0332762 A1 9/1989
GB 2248546 A 4/1992

OTHER PUBLICATIONS

International Search Report issued Jan. 19, 2010 in Application PCT/
EP2009/062984.

* cited by examiner

Primary Examiner — Angela J Lee

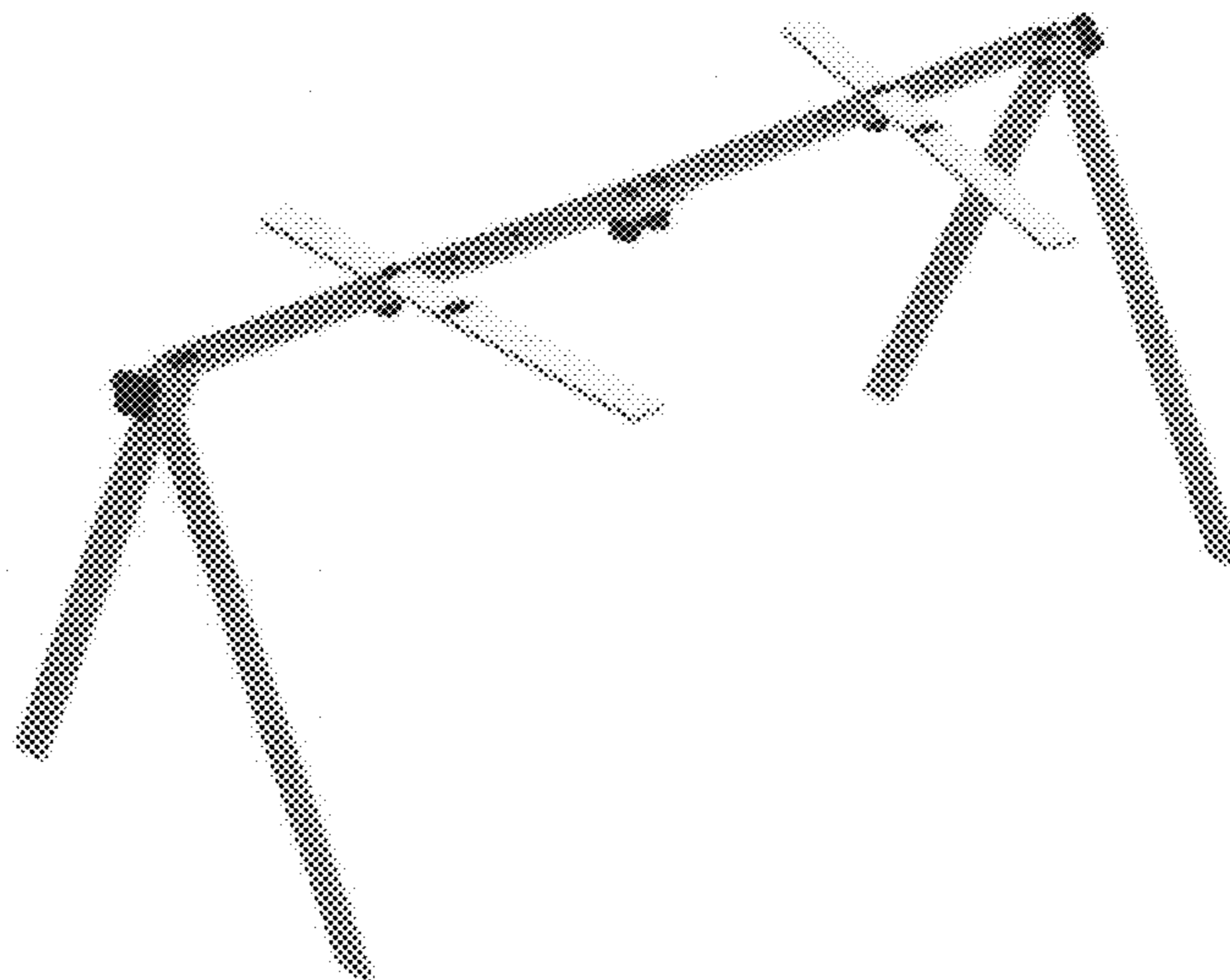
(57) **CLAIM**

The ornamental design for portable stand for laptop com-
puter, as shown and described.

DESCRIPTION

FIG. 1 is a first isometric view of a first embodiment of the
new design;
FIG. 2 is a top view thereof;
FIG. 3 is a side view thereof;
FIG. 4 is a second isometric view showing the first embodi-
ment half folded;
FIG. 5 is a side view of the half folded first embodiment; and,
FIG. 6 is a third isometric view showing the first embodiment
folded.

1 Claim, 6 Drawing Sheets



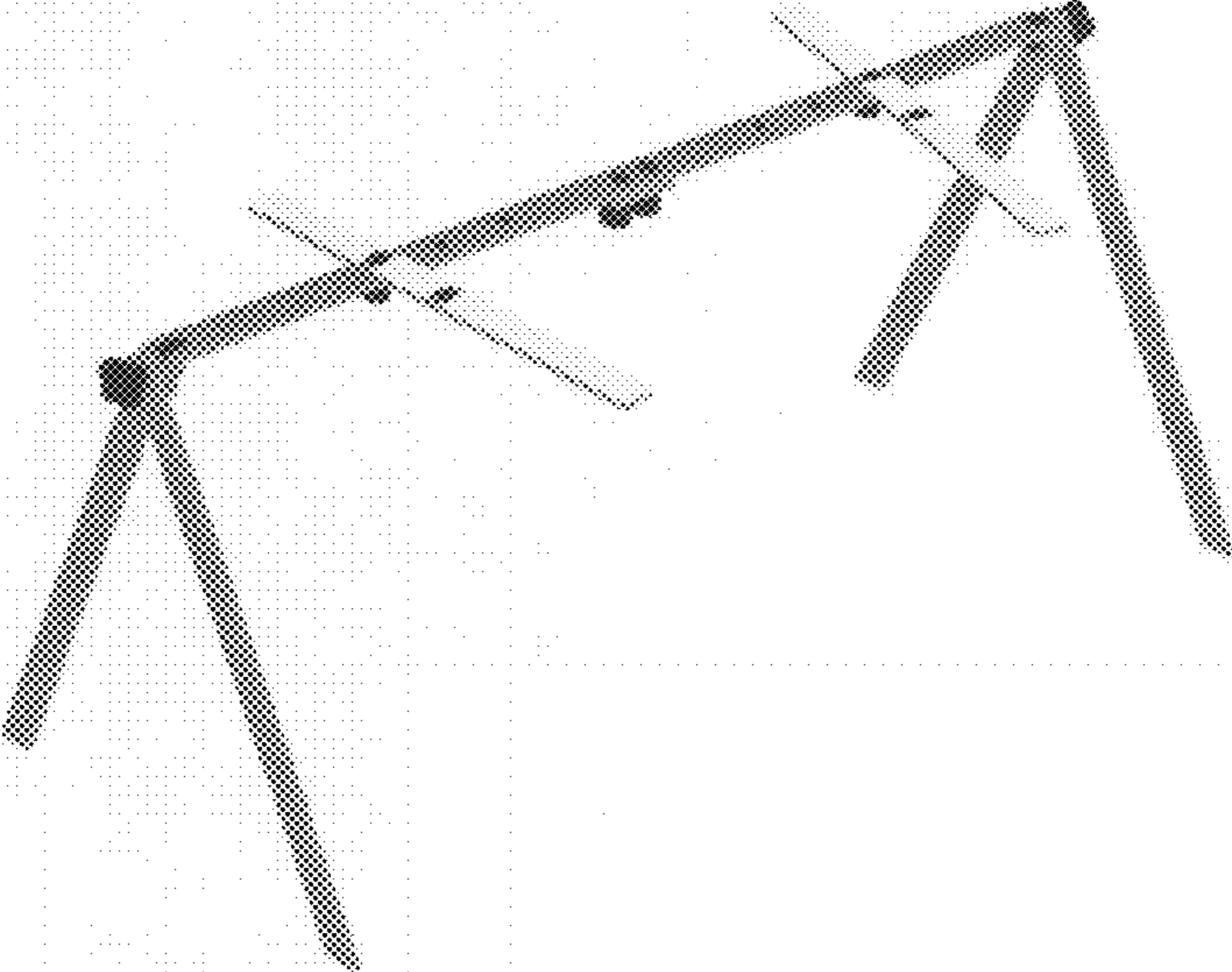


FIG. 1

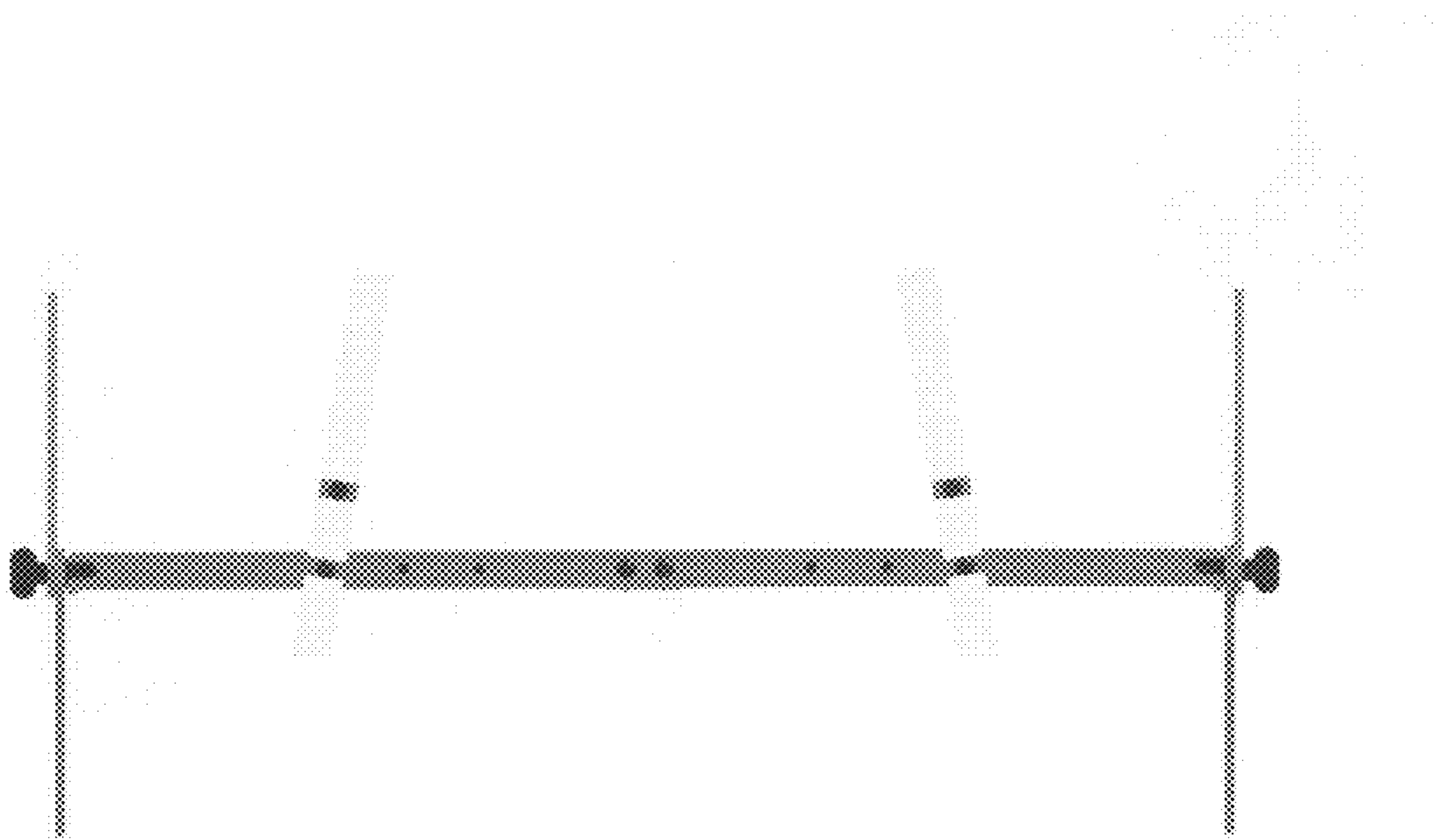


FIG. 2

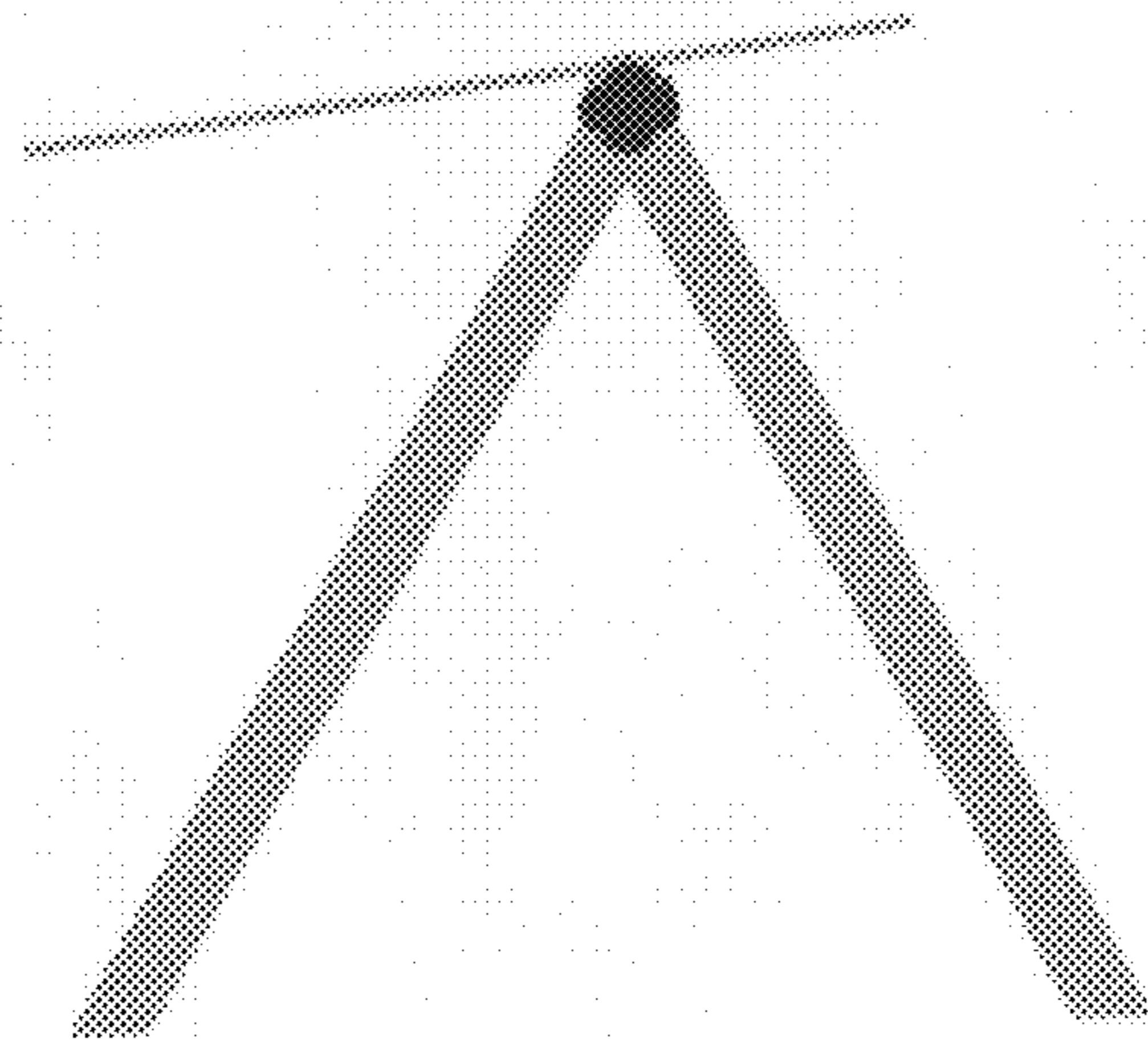


FIG. 3

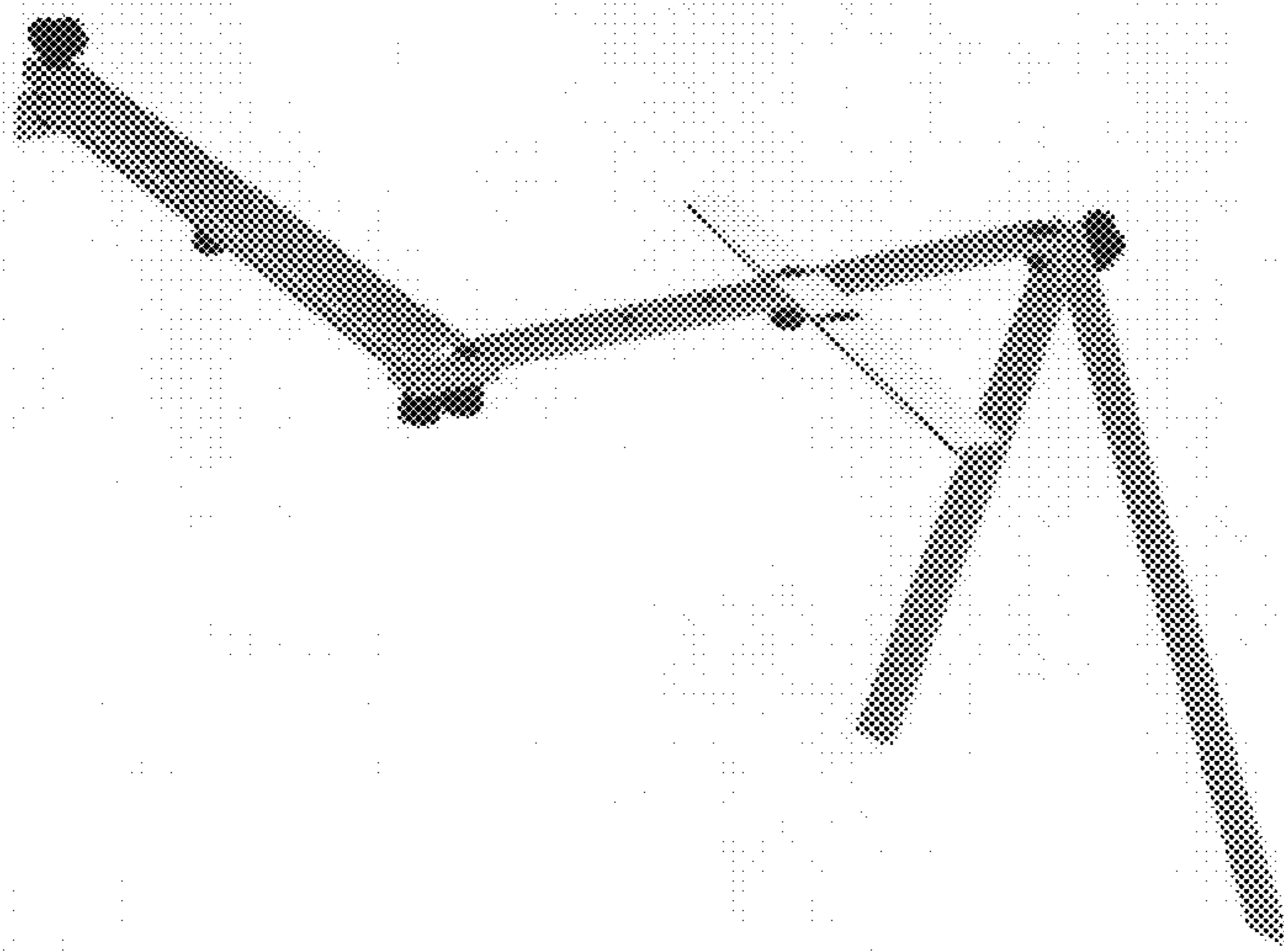


FIG. 4

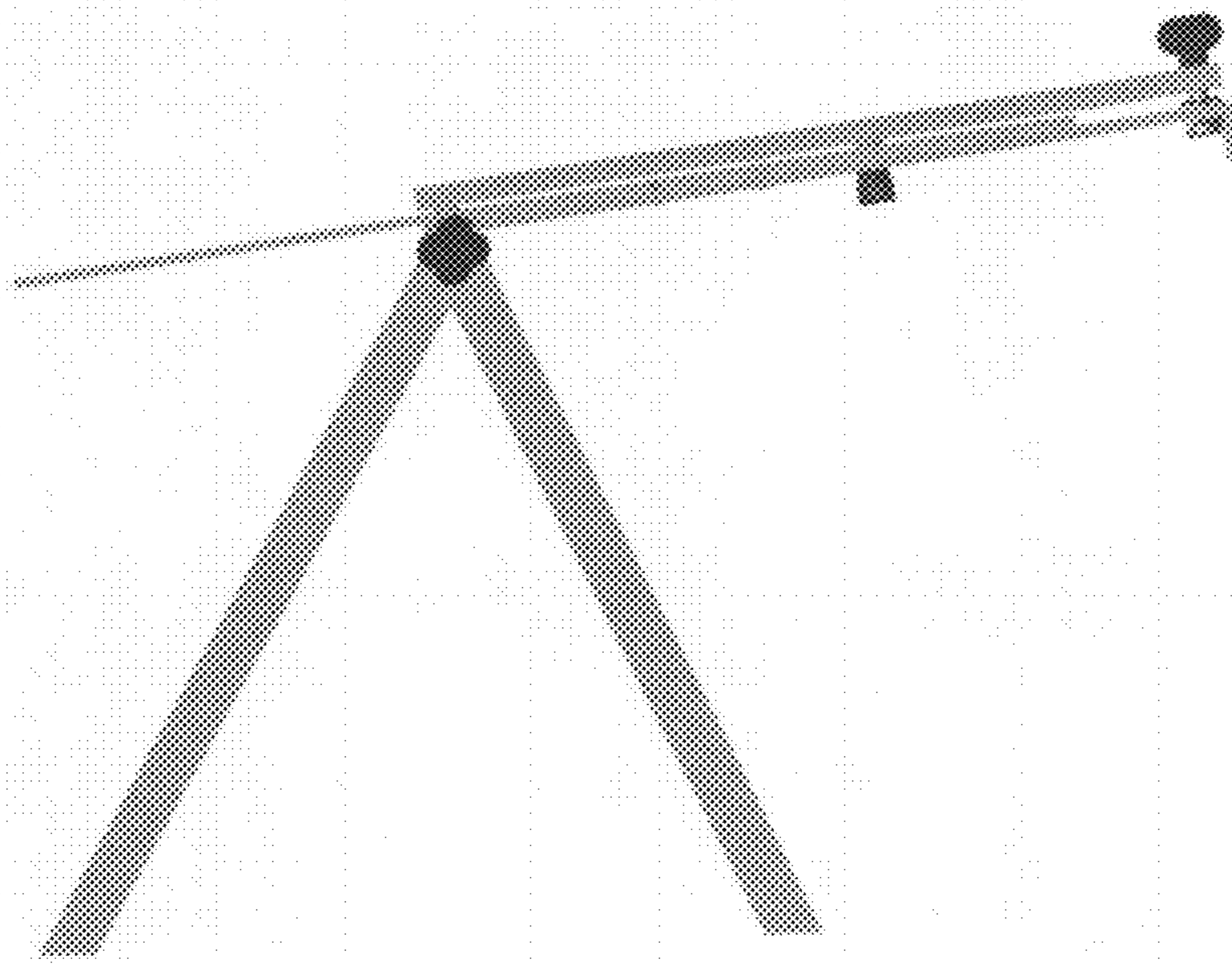


FIG. 5

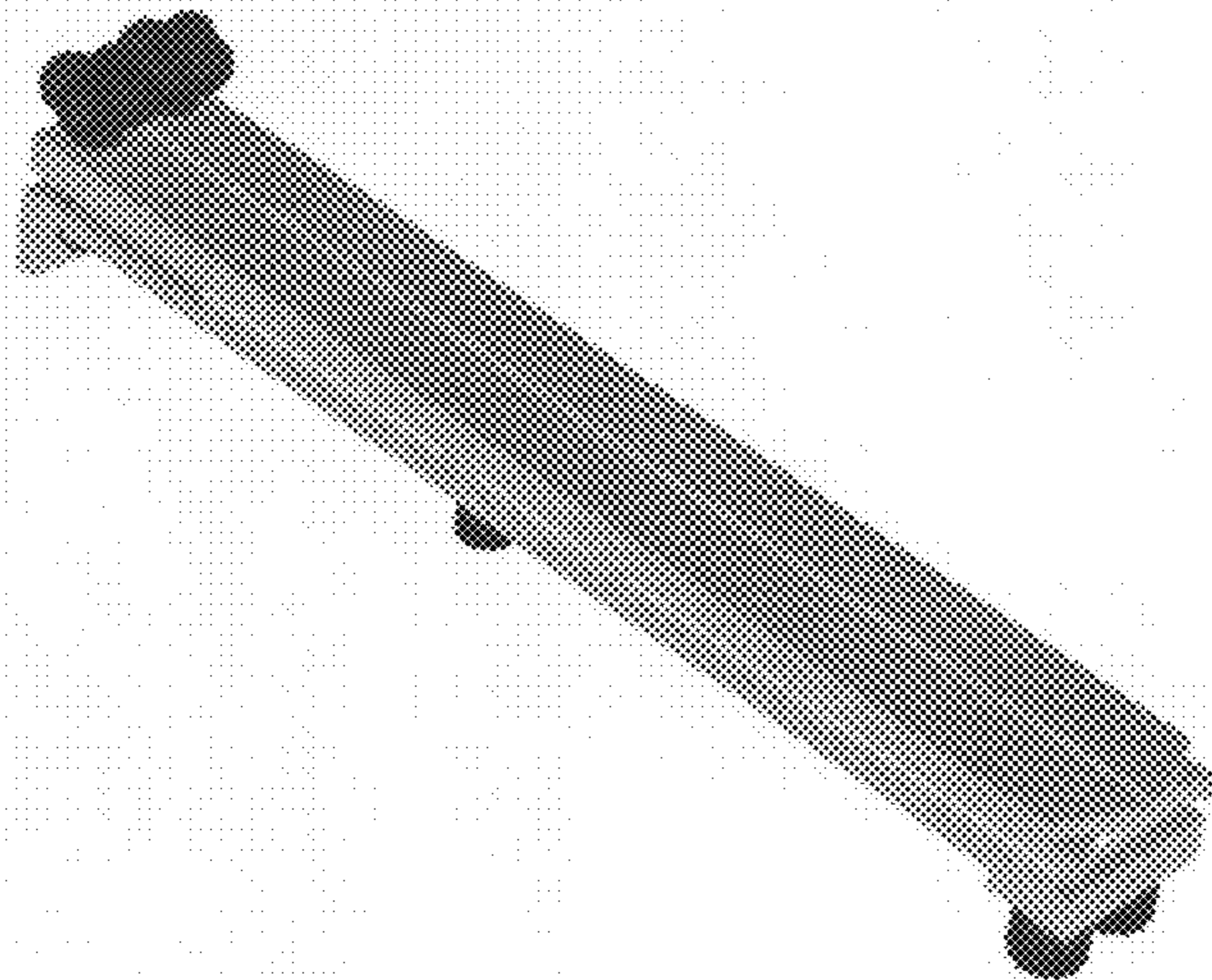


FIG. 6