



US00D757018S

(12) **United States Design Patent**
Pearce

(10) **Patent No.:** **US D757,018 S**

(45) **Date of Patent:** **** May 24, 2016**

(54) **PROTECTIVE CASE FOR A TABLET
COMPUTER**

(71) Applicant: **Joseph Pearce**, Newport Coast, CA (US)

(72) Inventor: **Joseph Pearce**, Newport Coast, CA (US)

(**) Term: **15 Years**

(21) Appl. No.: **29/530,869**

(22) Filed: **Jun. 19, 2015**

(51) **LOC (10) Cl.** **14-02**

(52) **U.S. Cl.**
USPC **D14/440**

(58) **Field of Classification Search**
USPC D14/250, 440, 447; 206/45.23, 320,
206/45.2; 361/679.55; 294/25; 224/218; 1/1
CPC ... G06F 1/1628; G06F 1/1613; G06F 1/1626;
A47B 23/044
See application file for complete search history.

(56) **References Cited**

U.S. PATENT DOCUMENTS

6,016,248	A *	1/2000	Anzai	G06F 1/1626 248/463
8,173,893	B2 *	5/2012	Huang	A45C 11/00 136/251
D694,245	S *	11/2013	Sanz	D14/440
D703,626	S *	4/2014	Hermansen	D14/126
D706,783	S *	6/2014	Almodova	D14/440
D707,229	S *	6/2014	Almodova	D14/440
8,783,458	B2 *	7/2014	Gallagher	F16M 11/105 206/320
8,797,132	B2 *	8/2014	Childs	A45C 11/00 206/320
8,888,063	B2 *	11/2014	Mack	F16M 11/00 248/121
8,971,030	B2 *	3/2015	Chen	H04M 1/0214 361/679.26
D730,853	S *	6/2015	Choi	D14/126
D734,340	S *	7/2015	Kim	D14/440
9,128,668	B2 *	9/2015	Johnson	G06F 1/1626
D744,490	S *	12/2015	Hsu	D14/440
9,201,476	B2 *	12/2015	Zhang	G06F 1/203

9,204,718 B2 * 12/2015 Magaudda A47B 23/044
2011/0285258 A1 * 11/2011 Yuan G06F 1/1626
312/223.2
2012/0153116 A1 * 6/2012 Harrison A47B 23/044
248/460

(Continued)

Primary Examiner — Cynthia Underwood

(74) *Attorney, Agent, or Firm* — John D. Tran; Rhema Law Group

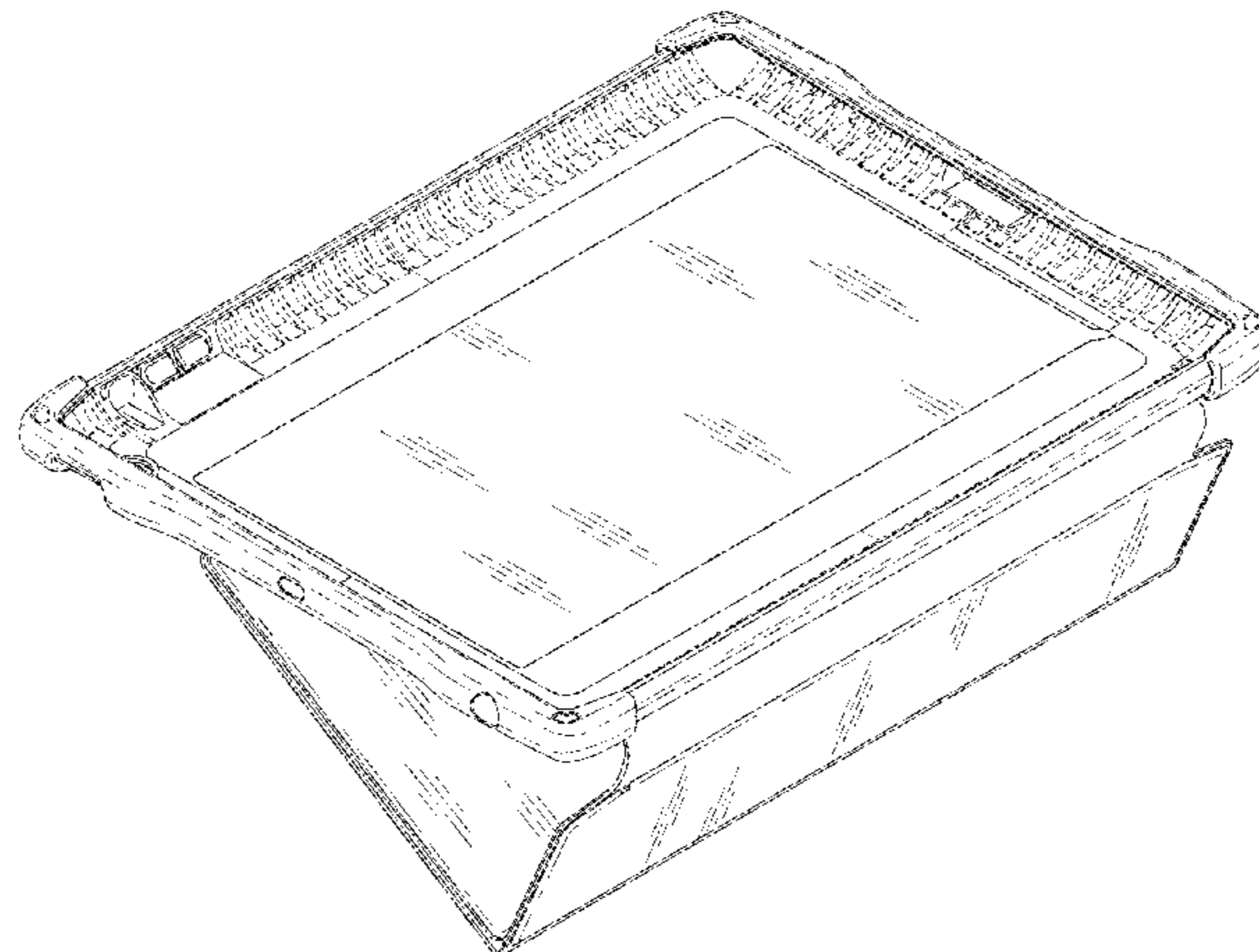
(57) **CLAIM**

I claim the ornamental design for a protective case for a tablet computer, as shown and described.

DESCRIPTION

FIG. 1 is a front view of the protective case for a tablet computer;
FIG. 2 is back view of the protective case for a tablet computer;
FIG. 3 is a front perspective view of the protective case for a tablet computer;
FIG. 4 is a back perspective view of the protective case for a tablet computer;
FIG. 5 is a right side view of the protective case for a tablet computer;
FIG. 6 is a left side view of the protective case for a tablet computer;
FIG. 7 is a top view of the protective case for a tablet computer;
FIG. 8 is a bottom view of the protective case for a tablet computer;
FIG. 9 is front view of the protective case for a tablet computer shown in an open position of use;
FIG. 10 is a back perspective view of the protective case for a tablet computer shown in an open position of use;
FIG. 11 is a front perspective view of the protective case for a tablet computer shown in an open position of use; and,
FIG. 12 is a side perspective view of the protective case for a tablet computer shown in an open position of use.
The broken lines shown throughout the views represent the portions of the design which form no part of the claim.

1 Claim, 10 Drawing Sheets



US D757,018 S

Page 2

(56)

References Cited

U.S. PATENT DOCUMENTS

2013/0088431 A1*	4/2013	Ballagas	G06F 1/1626 345/168	2014/0071654 A1*	3/2014	Chien	H01H 13/704 362/23.03
2013/0271373 A1*	10/2013	Milhe	G06F 1/1671 345/168	2014/0202889 A1*	7/2014	Kim	A45C 11/00 206/45.23
				2015/0001105 A1*	1/2015	Nyholm	A45C 11/00 206/45.2

* cited by examiner

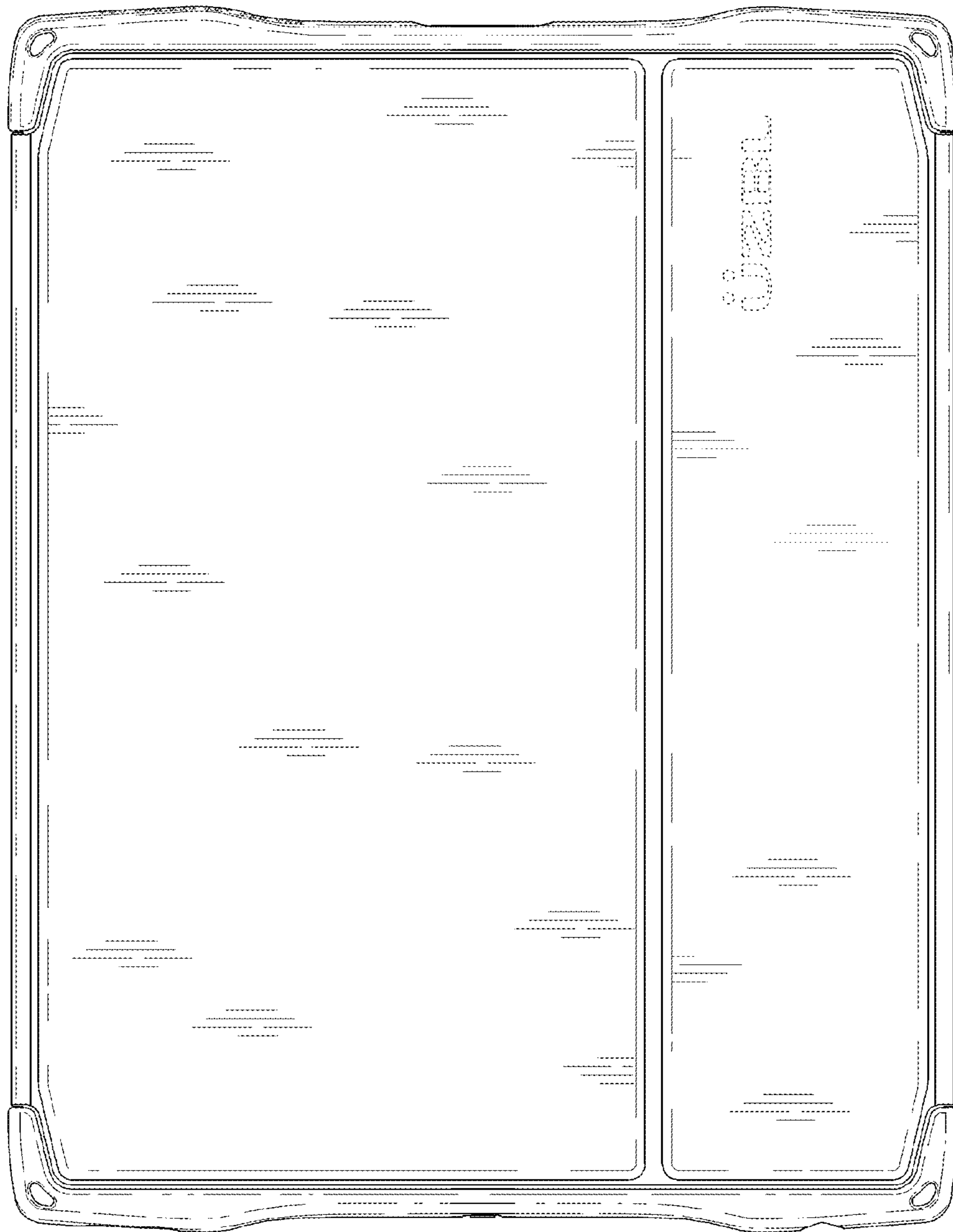


Fig. 1

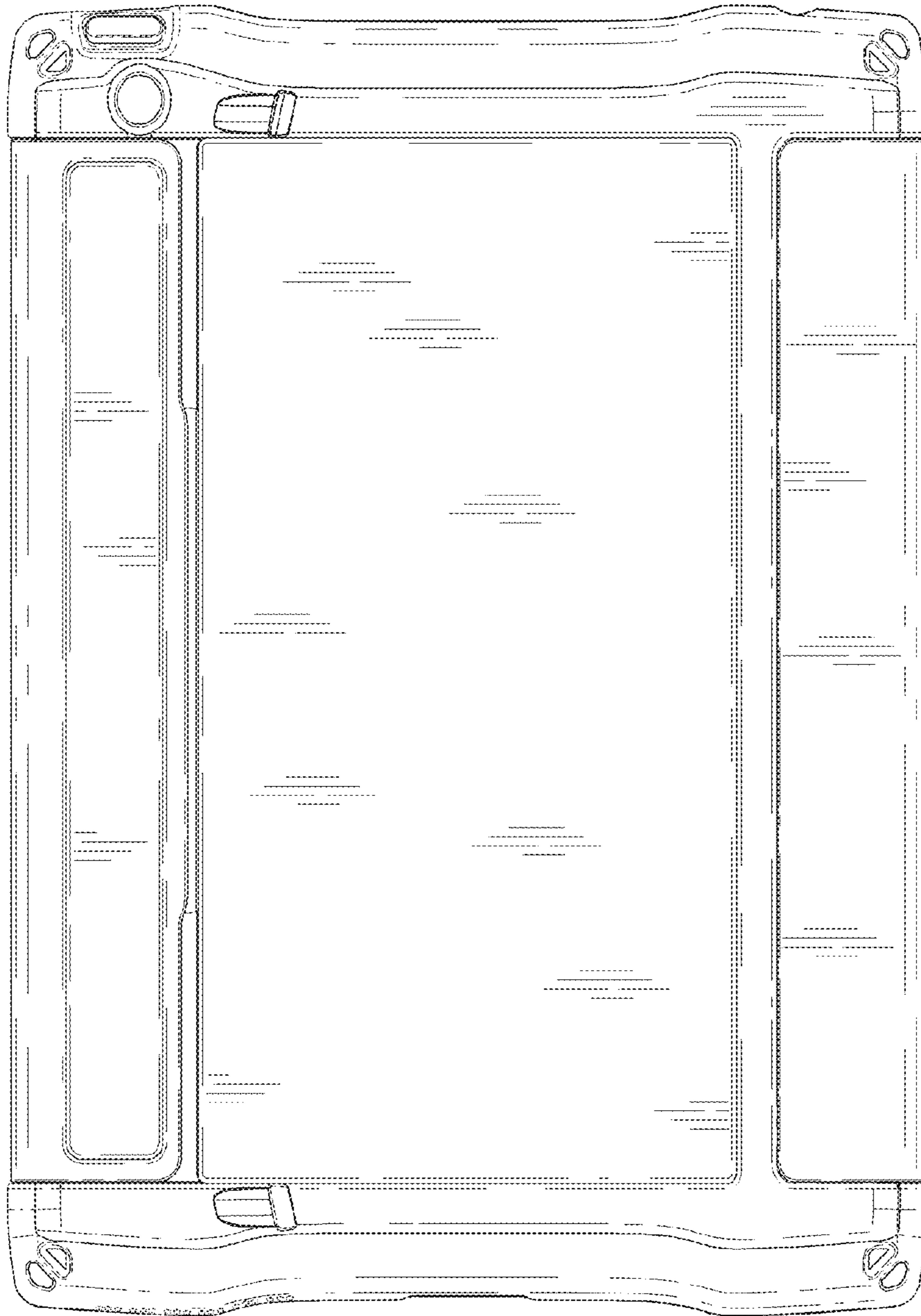


Fig. 2

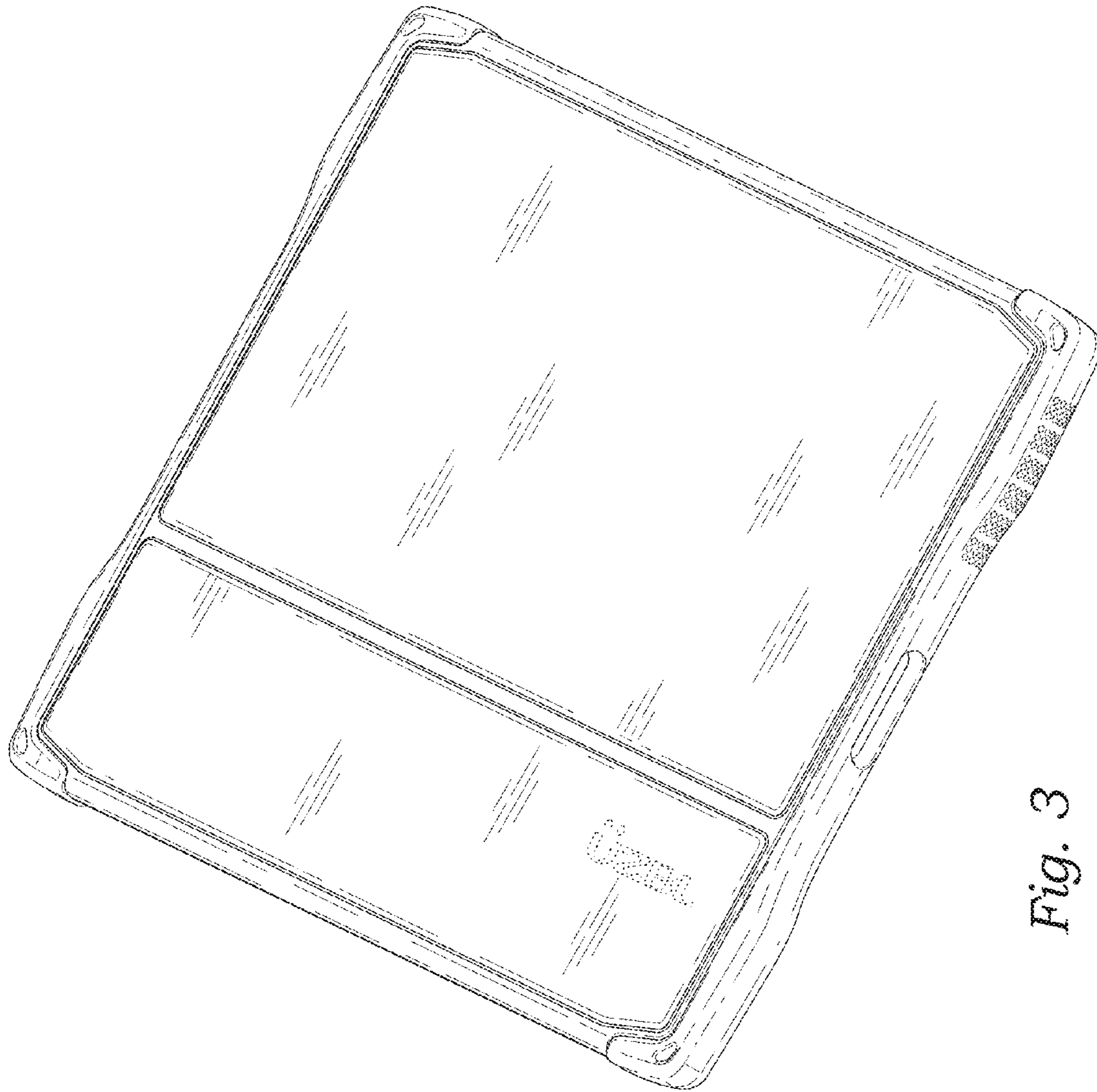


Fig. 3

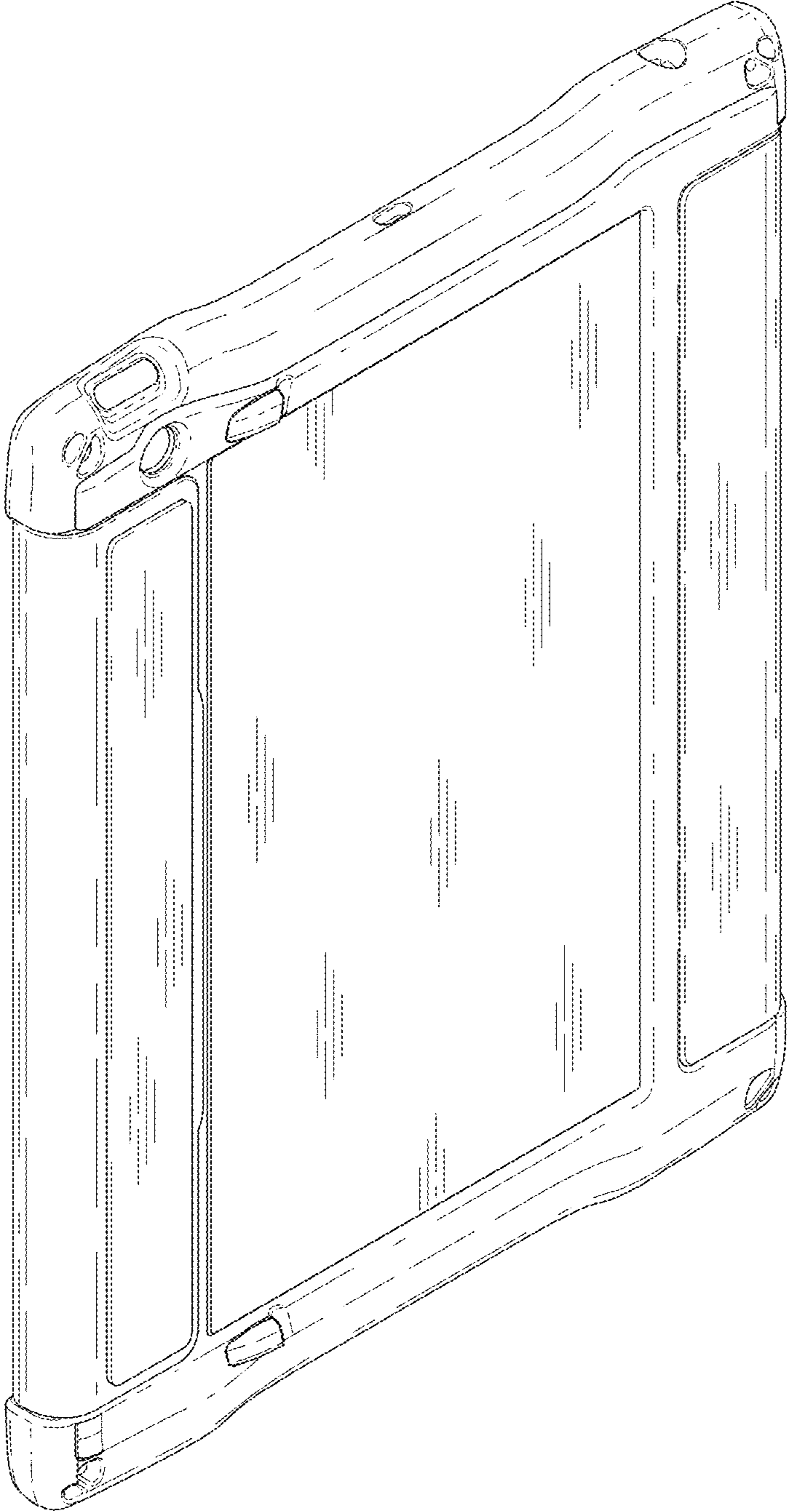


Fig. 4

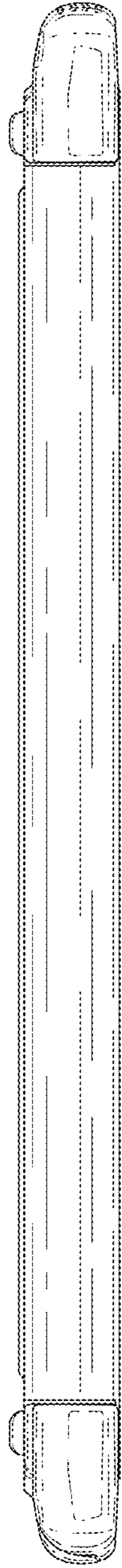


Fig. 5

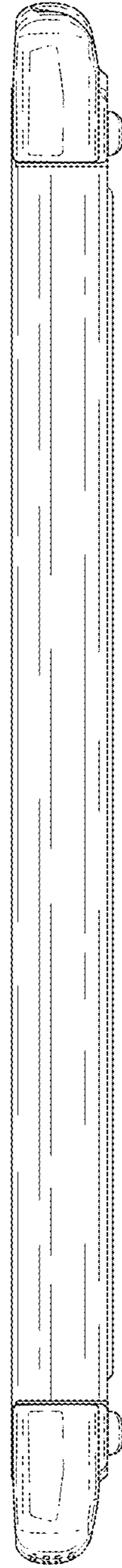


Fig. 6

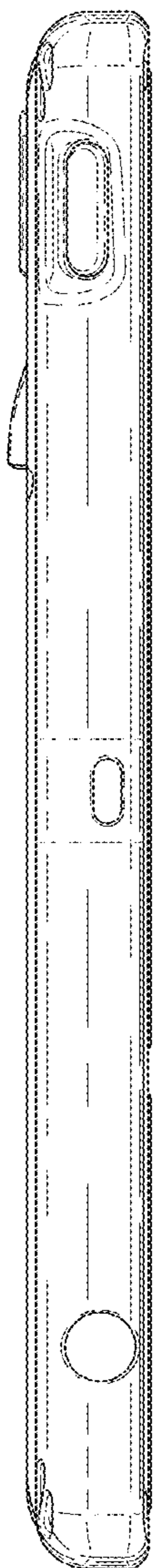


Fig. 7

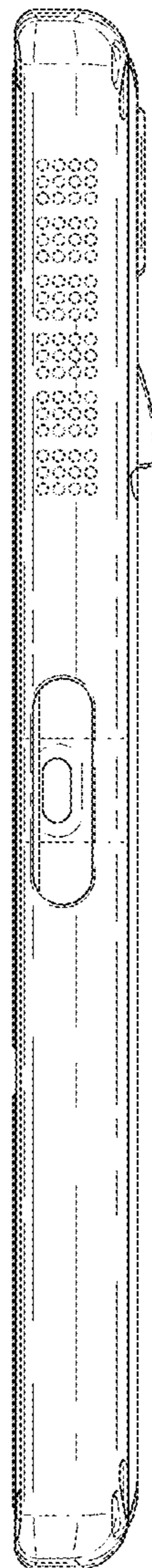


Fig. 8

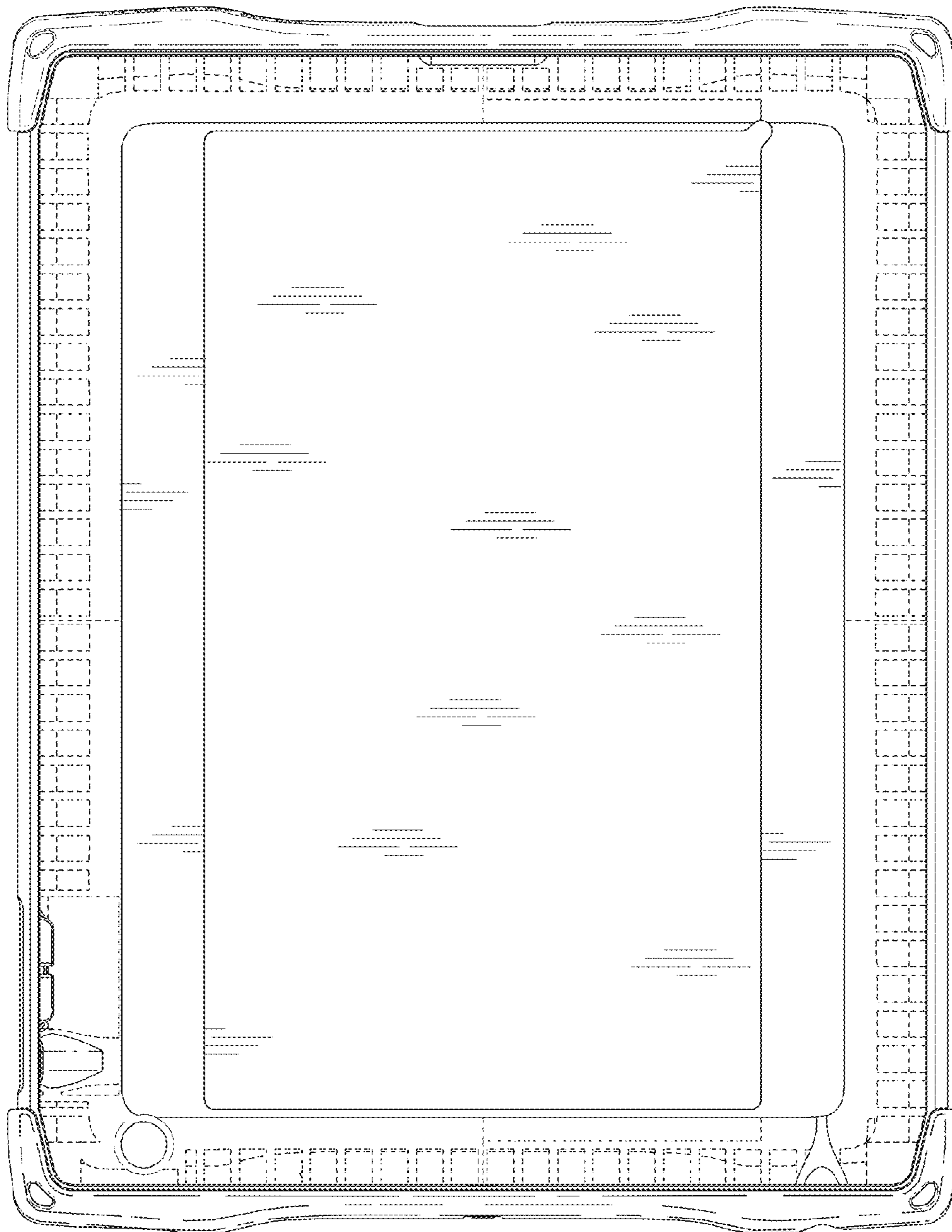


Fig. 9

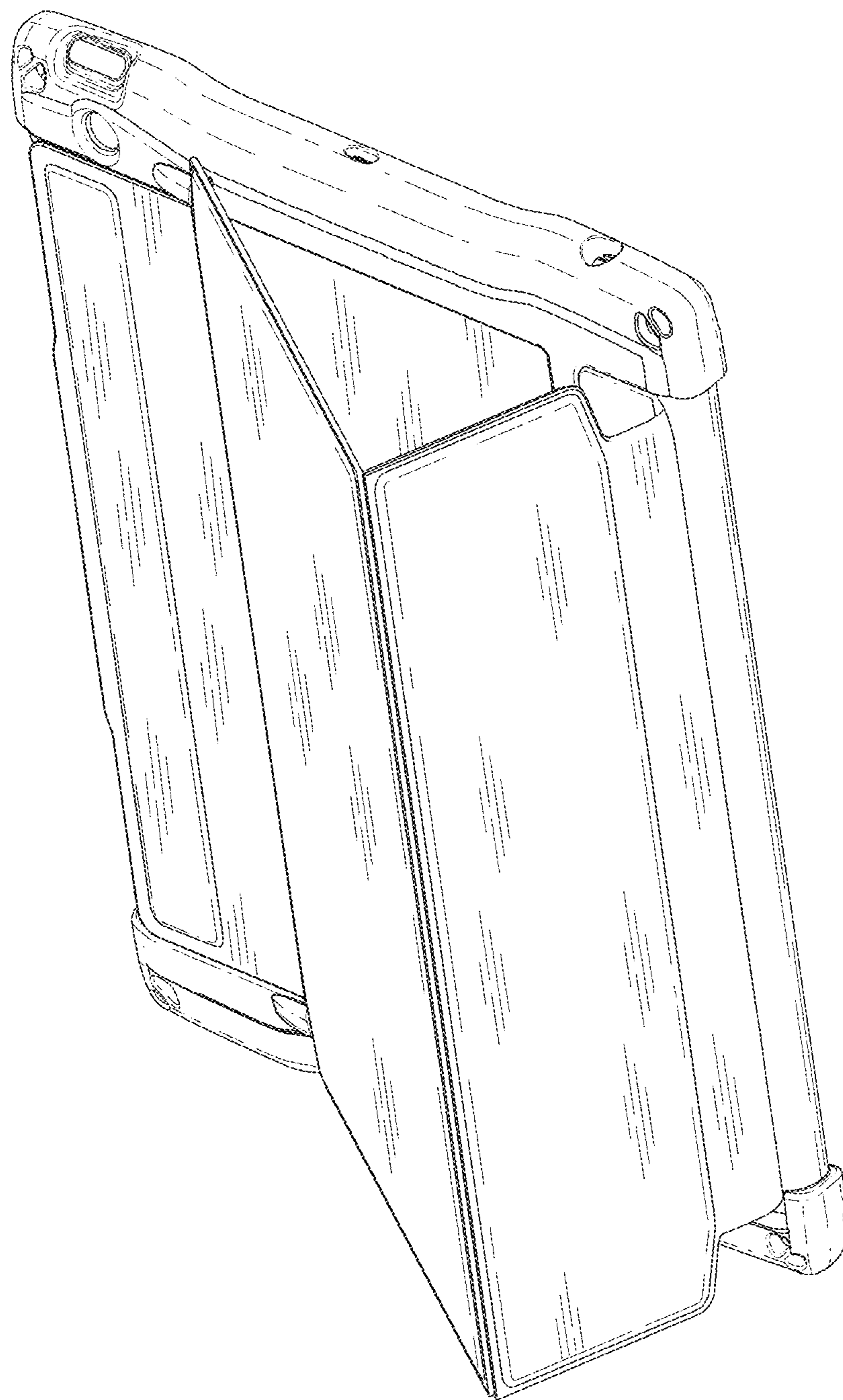


Fig. 10

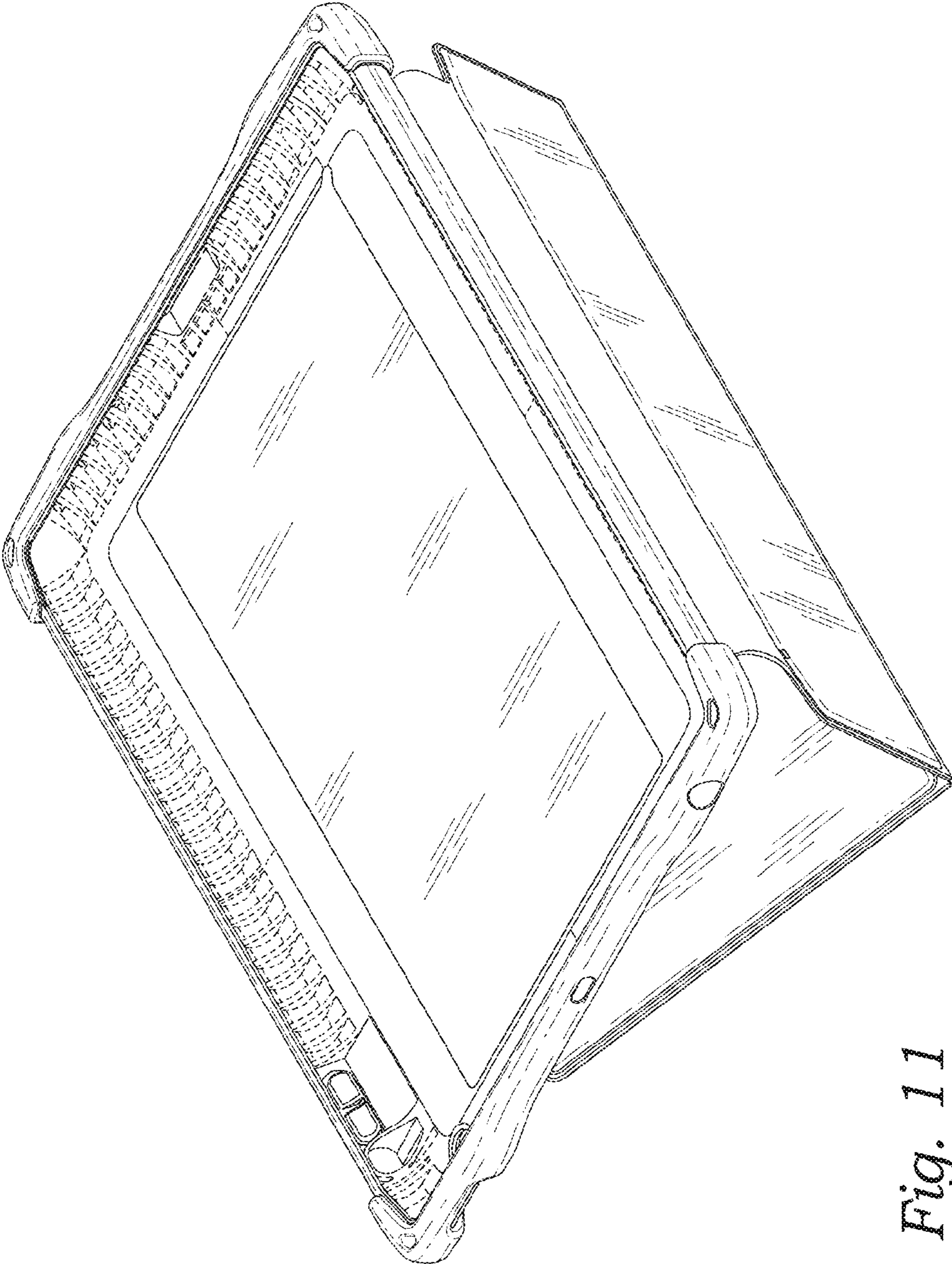


Fig. 11

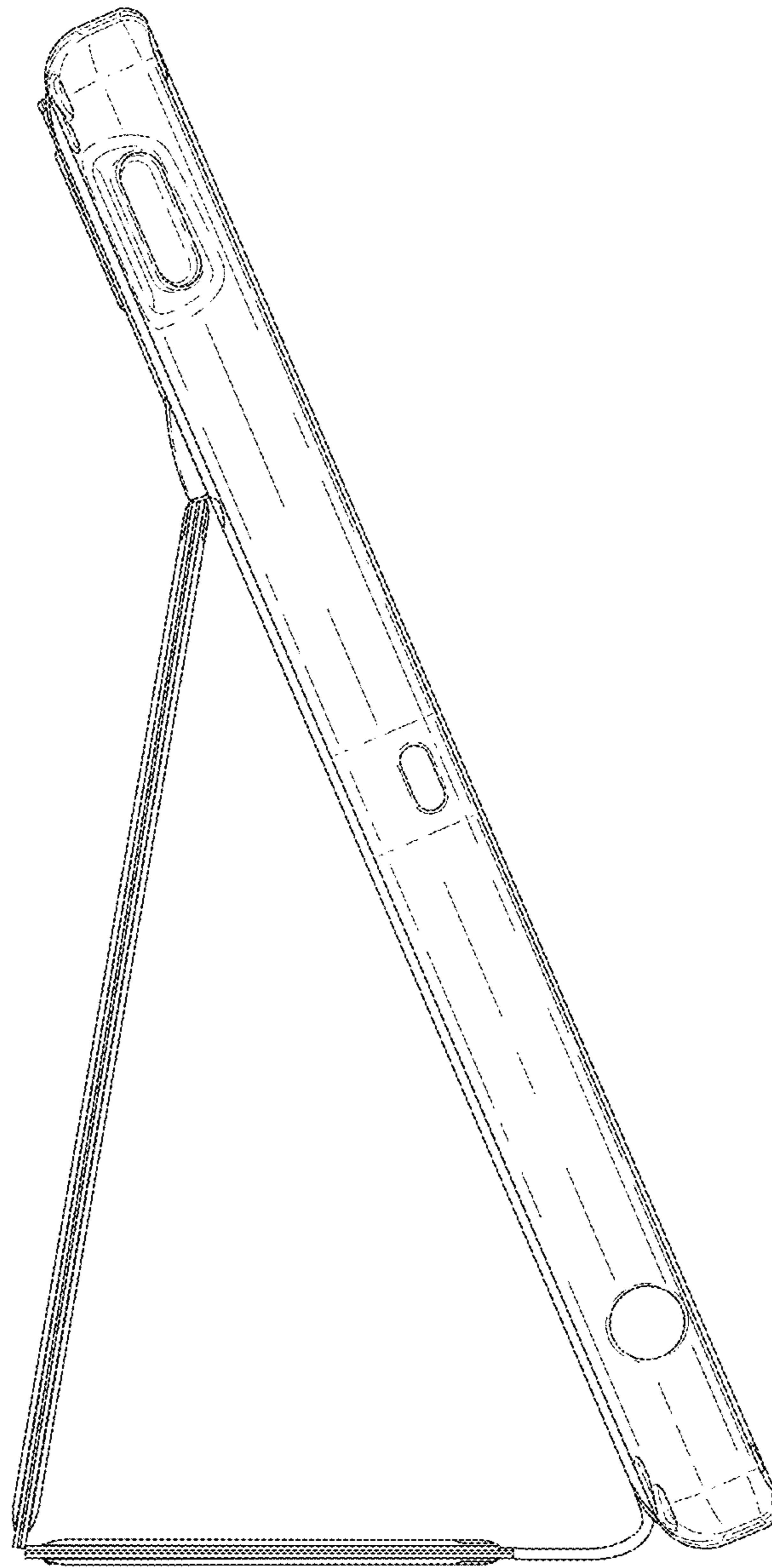


Fig. 12