



US00D757017S

(12) **United States Design Patent**  
**Sirichai**

(10) **Patent No.:** **US D757,017 S**

(45) **Date of Patent:** **\*\* May 24, 2016**

(54) **PAIR OF DEVICE-RECEIVING CORNERS FOR AN ELECTRONIC DEVICE CASE**

(71) Applicant: **World Richman Manufacturing Corporation, Elgin, IL (US)**

(72) Inventor: **Saharut Sirichai, Bangkok (TH)**

(73) Assignee: **WORLD RICHMAN MANUFACTURING CORPORATION, Elgin, IL (US)**

(\*\*) Term: **14 Years**

(21) Appl. No.: **29/500,452**

(22) Filed: **Aug. 25, 2014**

(51) **LOC (10) Cl.** ..... **14-02**

(52) **U.S. Cl.**  
USPC ..... **D14/440**

(58) **Field of Classification Search**  
USPC ..... D3/218, 215, 294, 289, 900;  
D14/432, 440, 454, 402; 428/40.1;  
200/302.1  
CPC ... G06F 1/1601; G06F 1/1626; G06F 1/1633;  
G06F 1/1675; G06F 1/1679; G02F 1/1306;  
G02F 1/133; G02F 1/133308; G02F 1/153;  
G02F 1/1533; G02F 2001/133317; H04M  
1/185; H04M 1/0252; H04B 1/3888; A45C  
1/06; A45C 3/08

See application file for complete search history.

(56) **References Cited**

**U.S. PATENT DOCUMENTS**

- 4,016,664 A \* 4/1977 Kaufmann ..... B43L 3/00  
150/147
- 4,479,318 A \* 10/1984 Russell ..... A47G 1/0633  
206/454
- 5,433,023 A \* 7/1995 Edwards ..... B42F 5/06  
40/778
- D361,601 S \* 8/1995 Goldman ..... D20/42
- 6,401,376 B2 \* 6/2002 Cumberland ..... B42F 5/00  
40/768
- D595,360 S \* 6/2009 Ogawa ..... D20/10
- D686,629 S \* 7/2013 Trinh ..... D14/447

- D703,750 S \* 4/2014 Tsai ..... D19/99
- 8,768,530 B2 \* 7/2014 Liang ..... G05D 23/1932  
318/471
- D723,037 S \* 2/2015 Huang ..... D14/440
- D724,595 S \* 3/2015 Sirichai ..... D14/440
- D724,596 S \* 3/2015 Sirichai ..... D14/440
- D731,492 S \* 6/2015 Snyder ..... D14/440
- 2012/0091312 A1 \* 4/2012 Baker ..... F16M 13/00  
248/682

\* cited by examiner

*Primary Examiner* — Cynthia Underwood

(74) *Attorney, Agent, or Firm* — Christopher J. Scott

(57) **CLAIM**

The ornamental design for the pair of device-receiving corners for an electronic device case, as shown and described.

**DESCRIPTION**

FIG. 1 is a first front view of the left side of the pair of device-receiving corners for an electronic device case shown separated from the right side;

FIG. 2 is a first front view of the right side of the pair of device-receiving corners for an electronic device case shown separated from the left side;

FIG. 3 is a rear view of the right side of the pair of device-receiving corners for an electronic device case shown separated from the left side;

FIG. 4 is a rear view of the left side of the pair of device-receiving corners for an electronic device case shown separated from the right side;

FIG. 5 is a front perspective view of the right side of the pair of device-receiving corners for an electronic device case shown separated from the left side;

FIG. 6 is a front perspective view of the left side of the pair of device-receiving corners for an electronic device case shown separated from the right side;

FIG. 7 is a rear perspective view of the right side of the pair of device-receiving corners for an electronic device case shown separated from the left side;

FIG. 8 is a rear perspective view of the left side of the pair of device-receiving corners for an electronic device case shown separated from the right side;

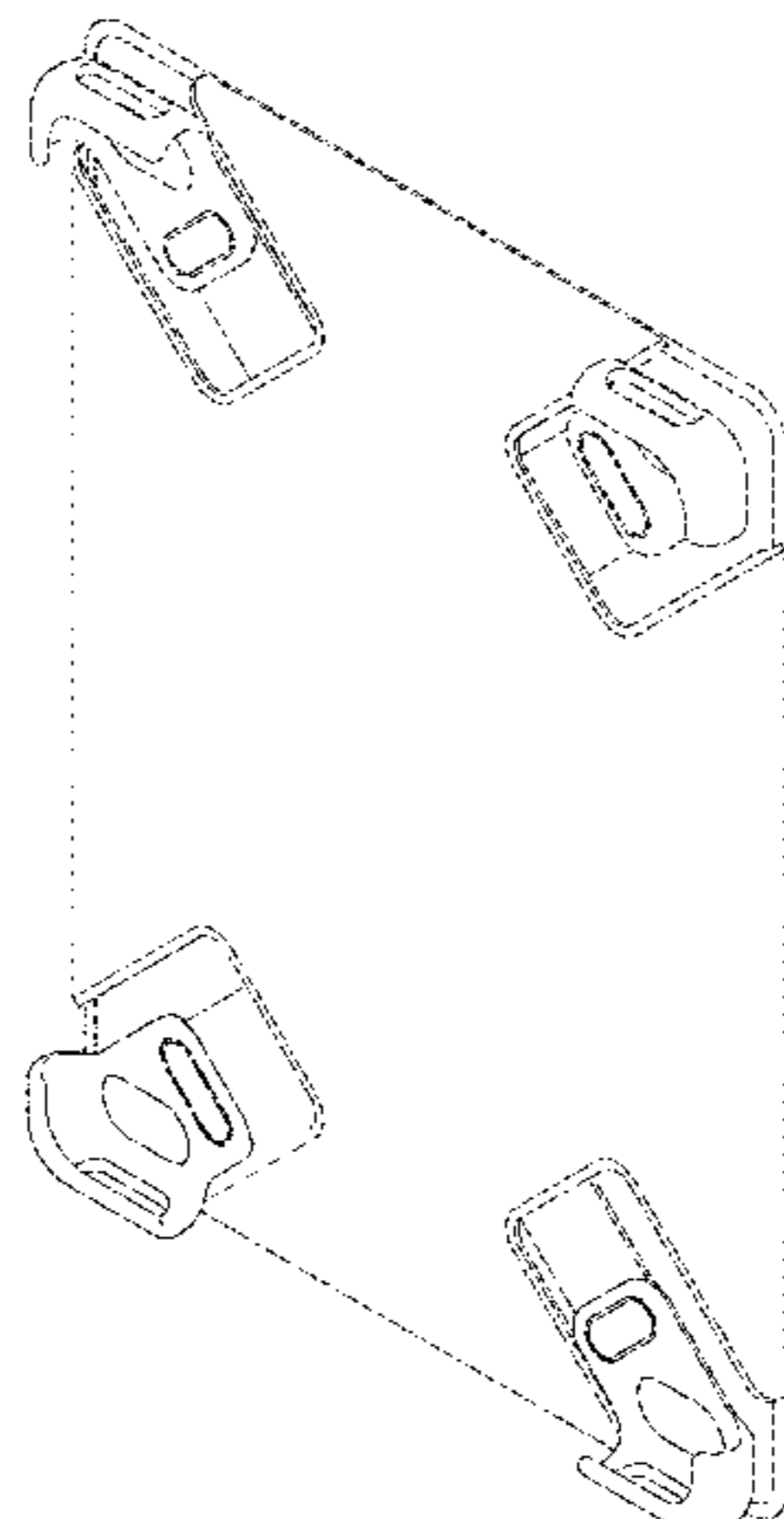


FIG. 9 is a second front view of the right side of the pair of device-receiving corners for an electronic device case shown separated from the left side;

FIG. 10 is a first lateral edge view of the right side of the pair of device-receiving corners for an electronic device case shown separated from the left side;

FIG. 11 is an inner edge view of the right side of the pair of device-receiving corners for an electronic device case shown separated from the left side;

FIG. 12 is a second lateral edge view of the right side of the pair of device-receiving corners for an electronic device case shown separated from the left side;

FIG. 13 is an outer edge view of the right side of the pair of device-receiving corners for an electronic device case shown separated from the left side;

FIG. 14 is a second front view of the left side of the pair of device-receiving corners for an electronic device case shown separated from the right side;

FIG. 15 is a first lateral edge view of the left side of the pair of device-receiving corners for an electronic device case shown separated from the right side;

FIG. 16 is an inner edge view of the left side of the pair of device-receiving corners for an electronic device case shown separated from the right side;

FIG. 17 is a second lateral edge view of the left side of the pair of device-receiving corners for an electronic device case shown separated from the right side;

FIG. 18 is an outer edge view of the left side of the pair of device-receiving corners for an electronic device case shown separated from the right side;

FIG. 19 is a perspective of the pair of device-receiving corners for an electronic device case in a first condition of use; and, FIG. 20 is a perspective of the pair of device-receiving corners for an electronic device case in a second condition of use.

The broken lines in the drawings depict environmental subject matter/or parts of the device-receiving corner construction for electronic device case and form no part of the claimed design.

**1 Claim, 6 Drawing Sheets**

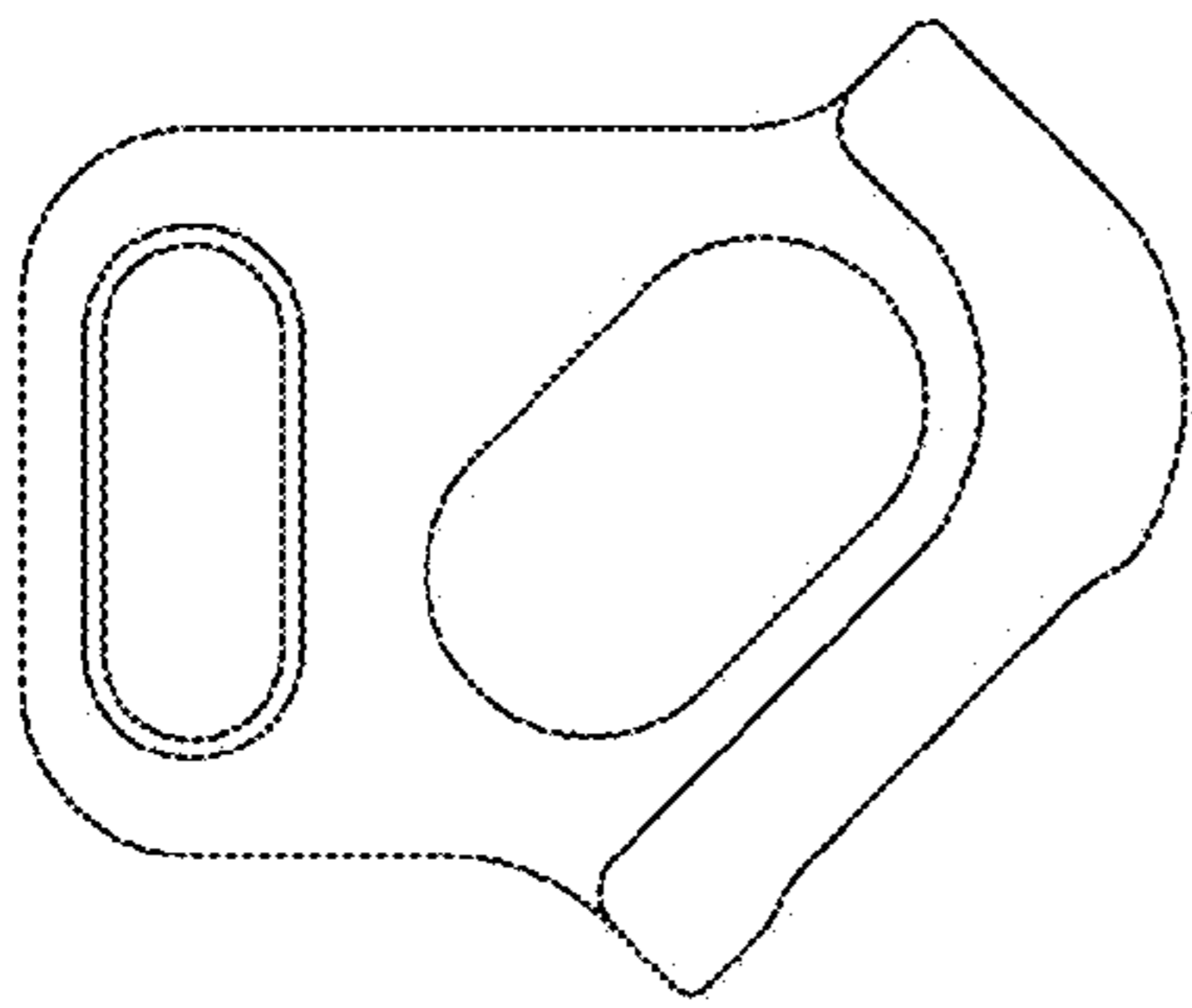


FIG. 1

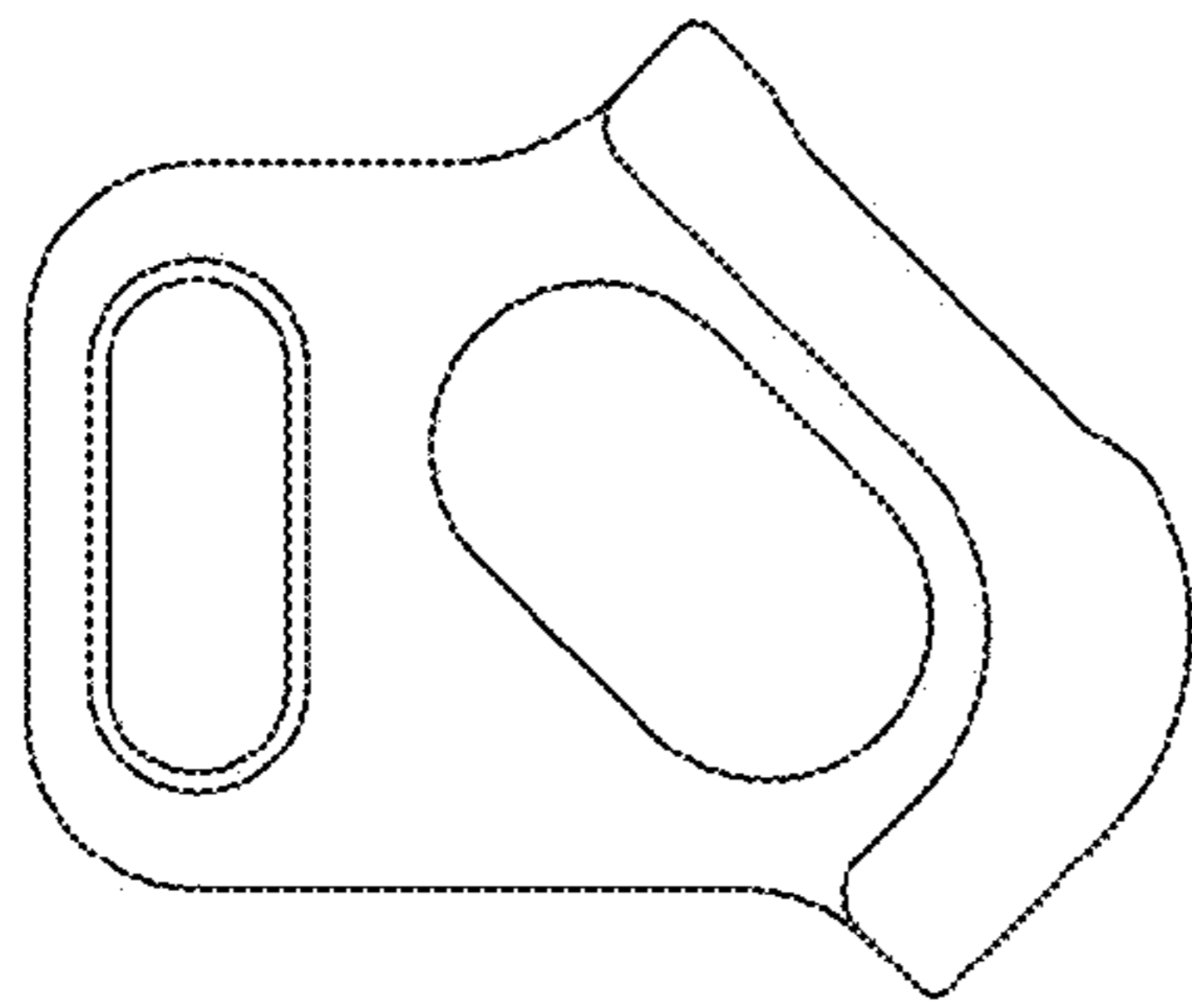


FIG. 2

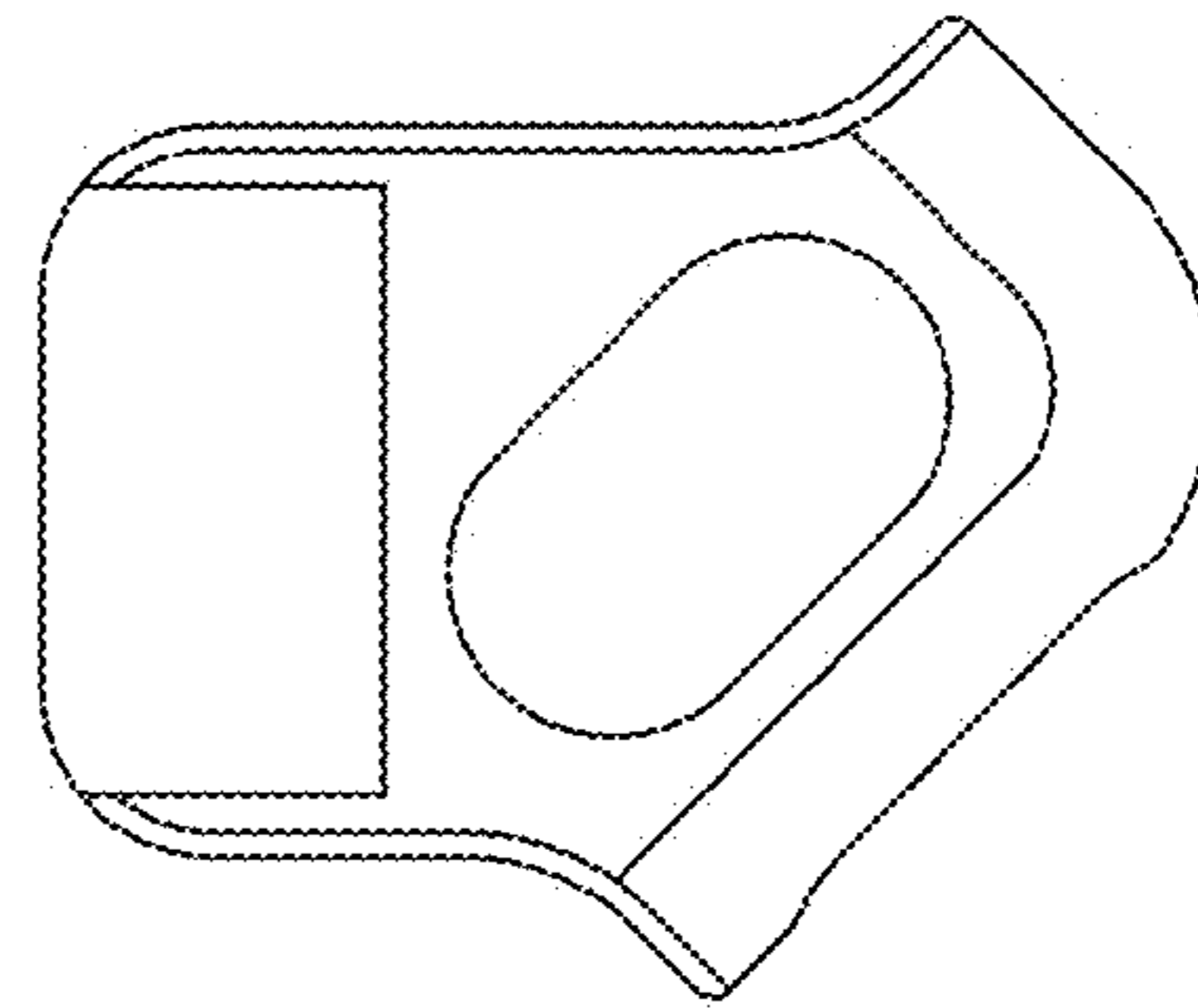


FIG. 3

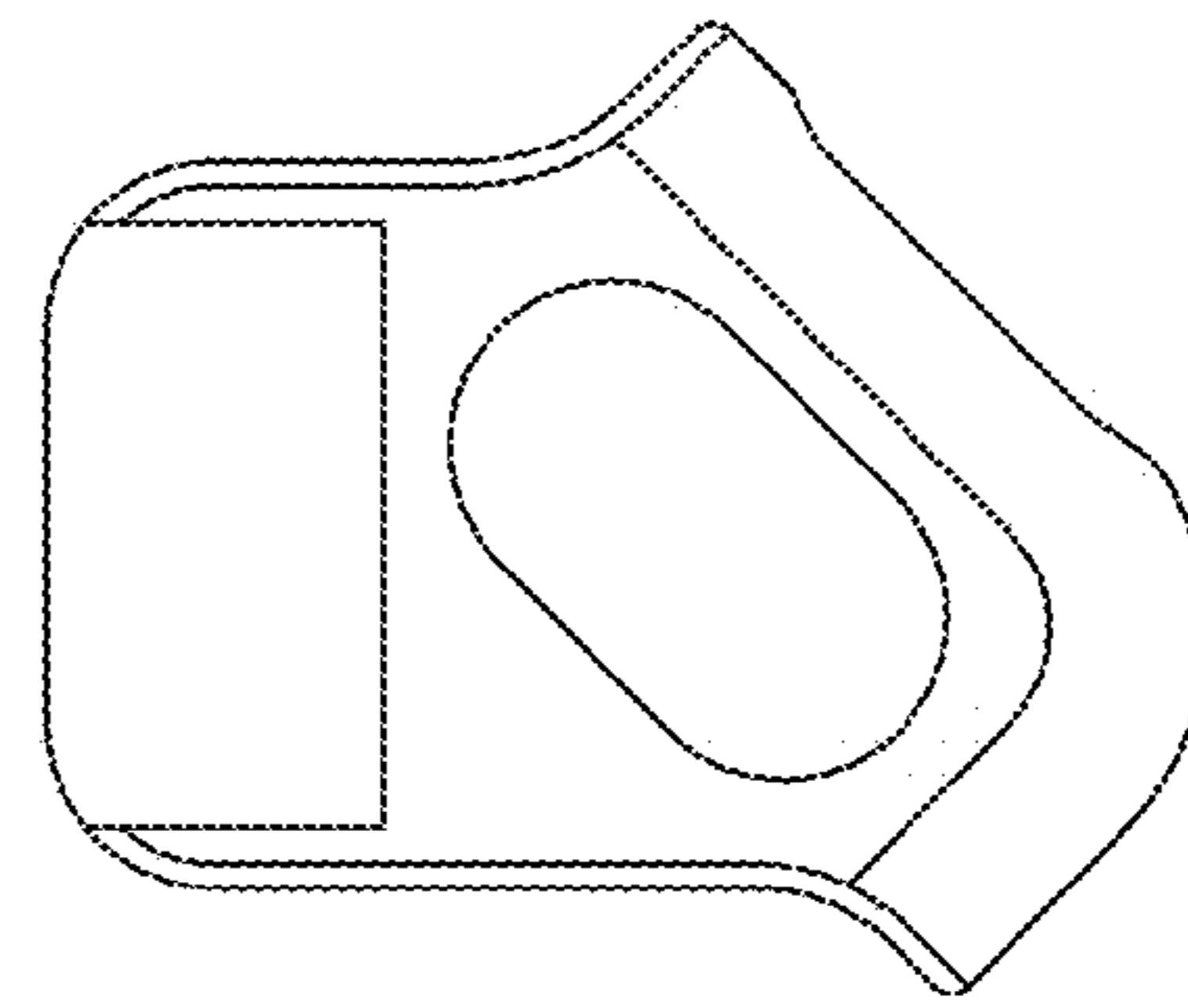


FIG. 4

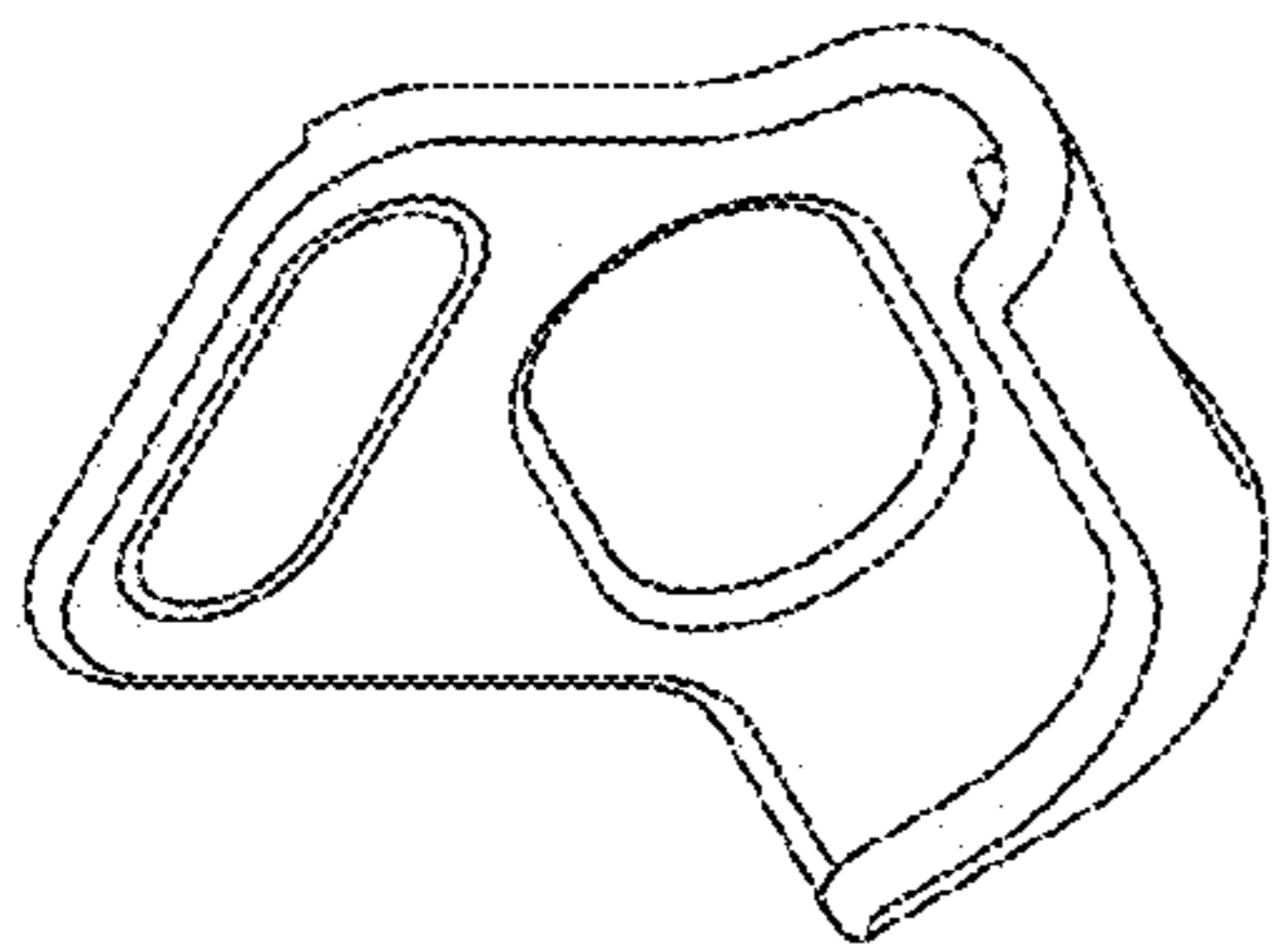


FIG. 5

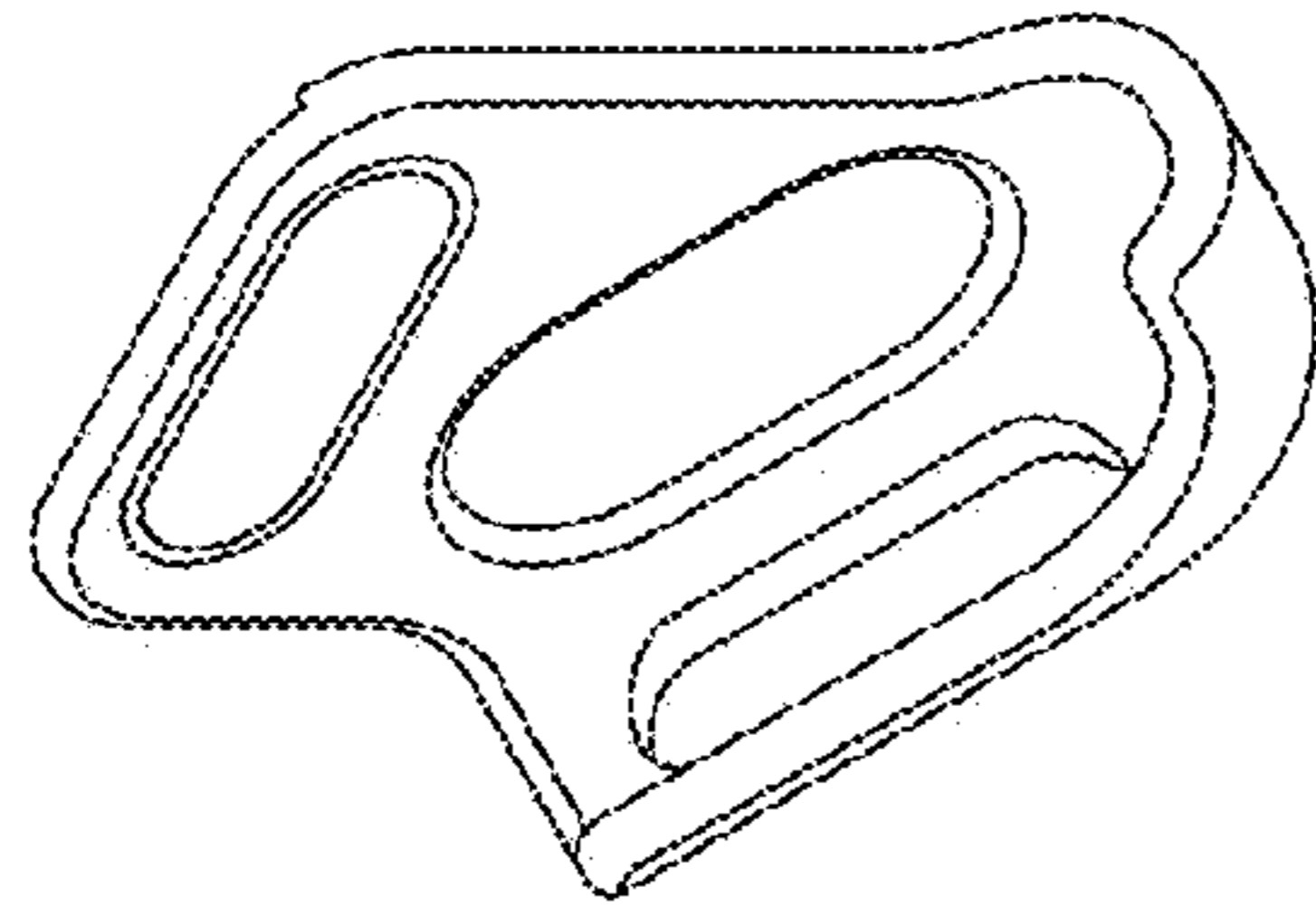


FIG. 6

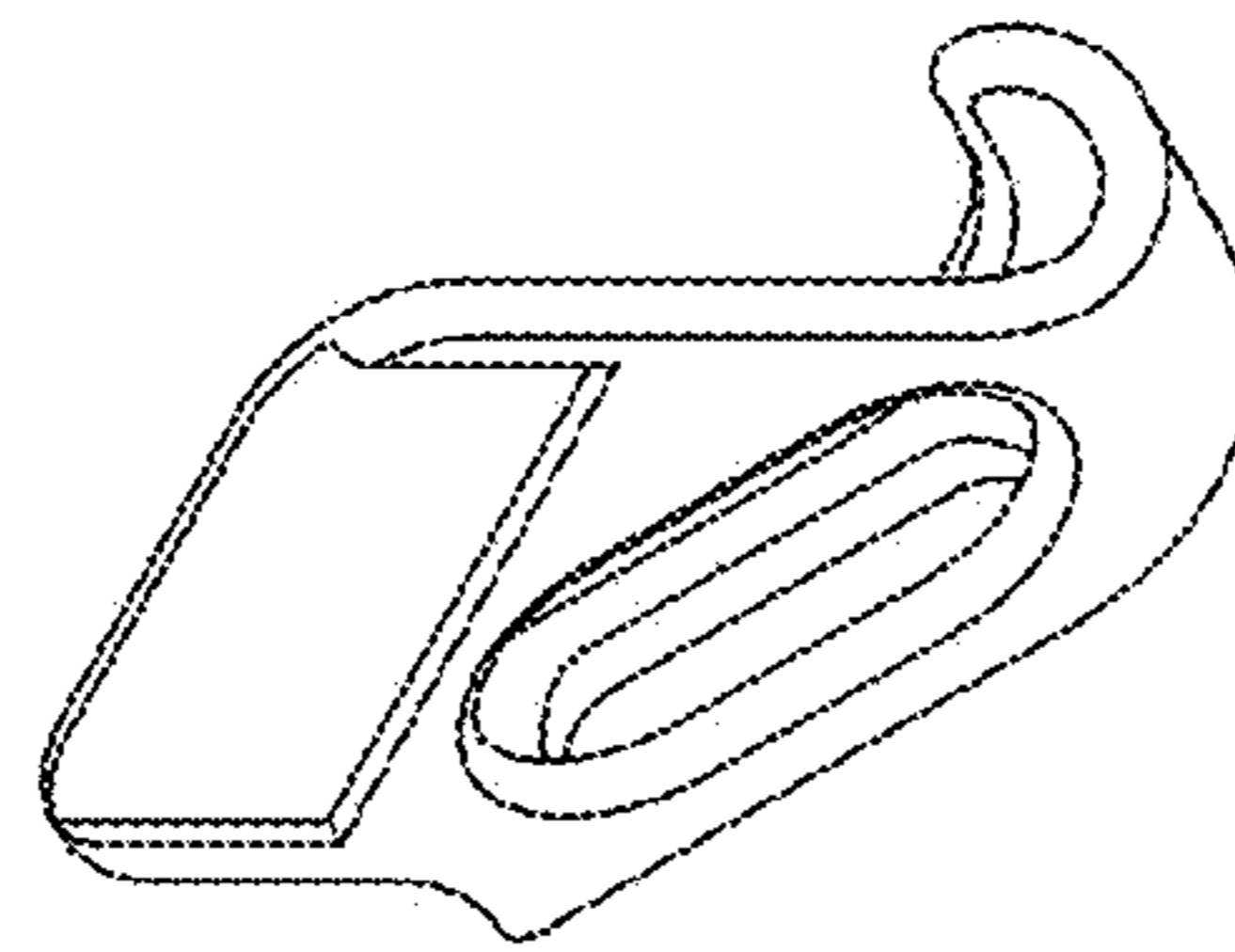


FIG. 7

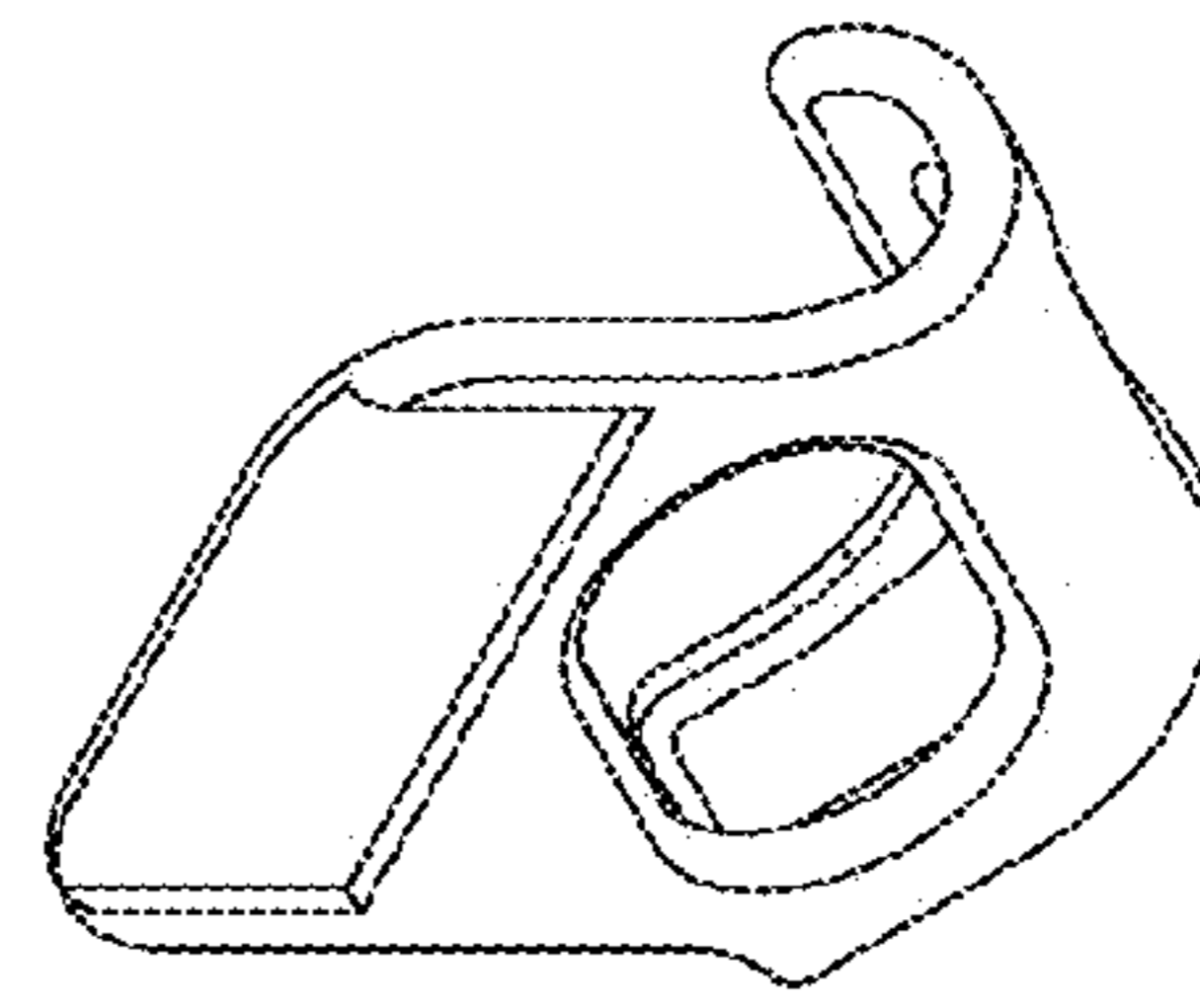


FIG. 8

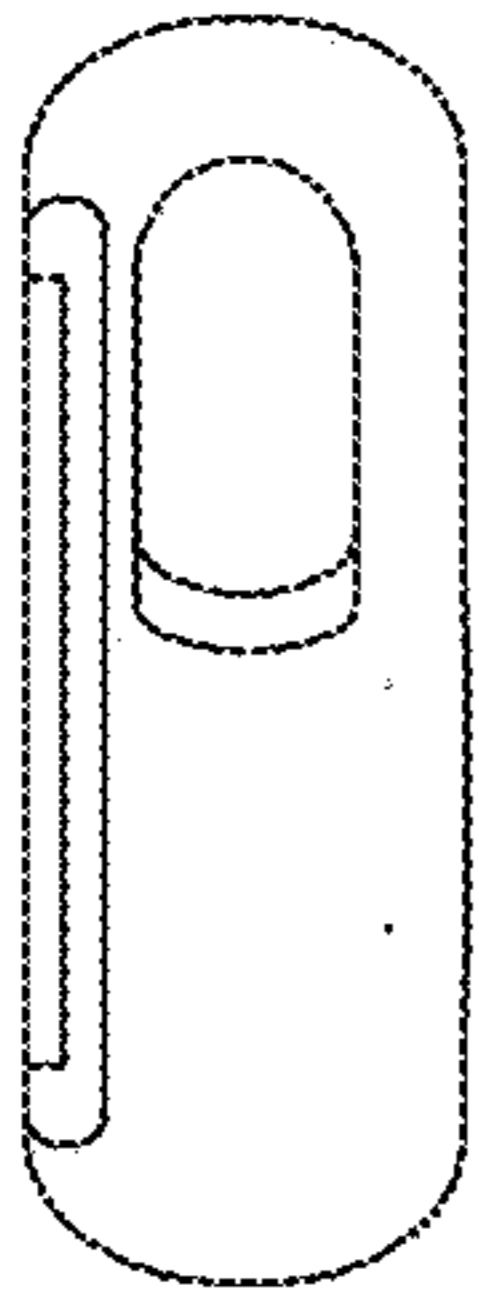


FIG. 11

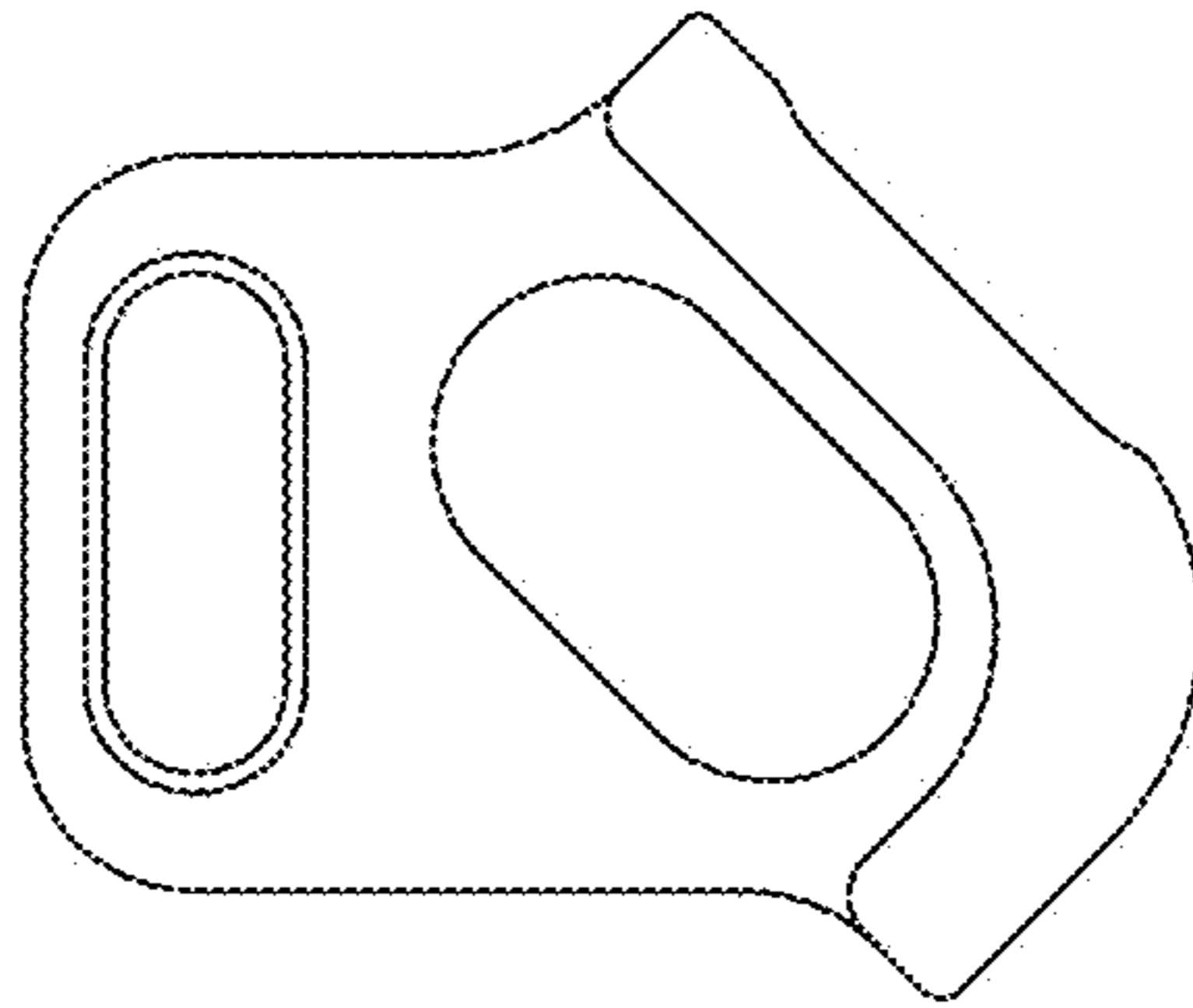


FIG. 9

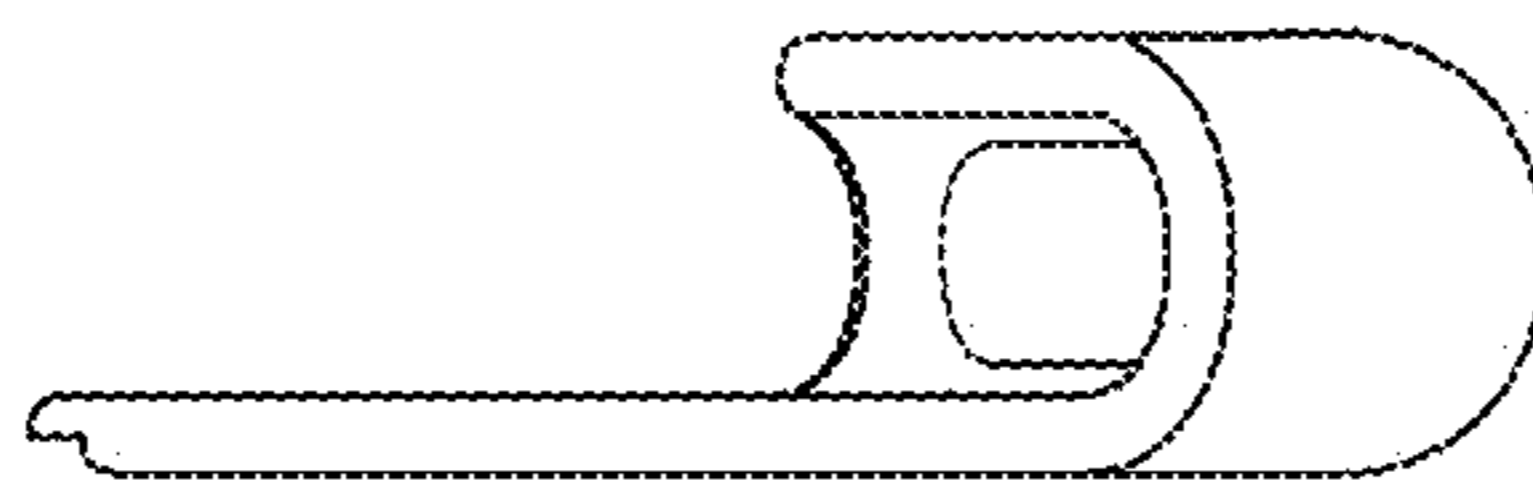


FIG. 10

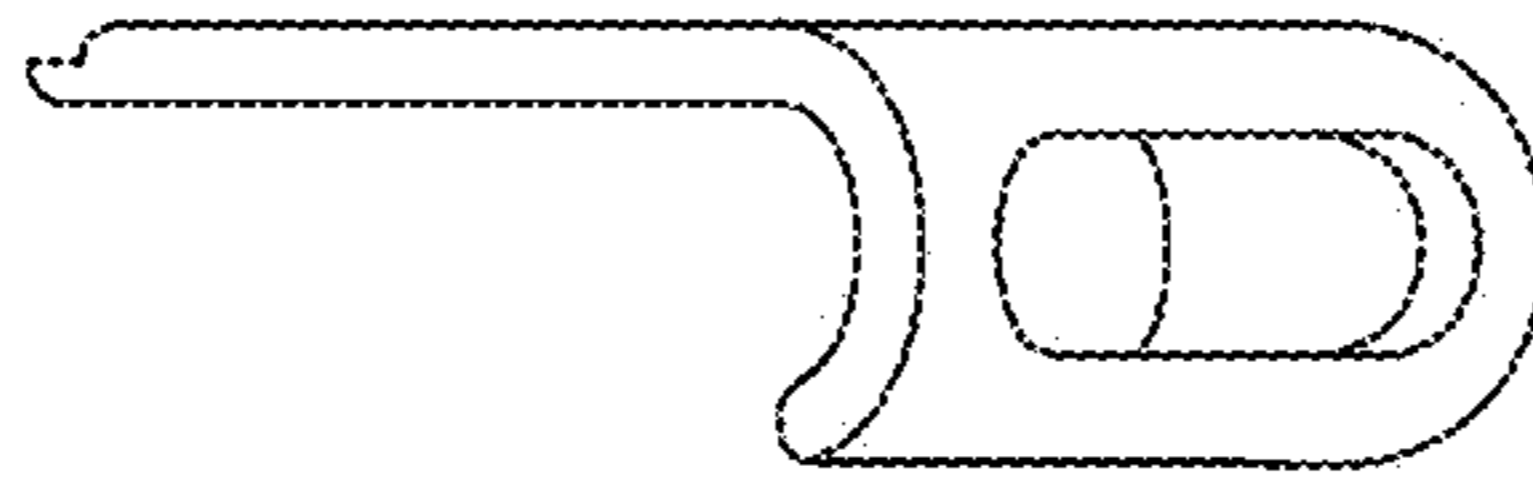


FIG. 12

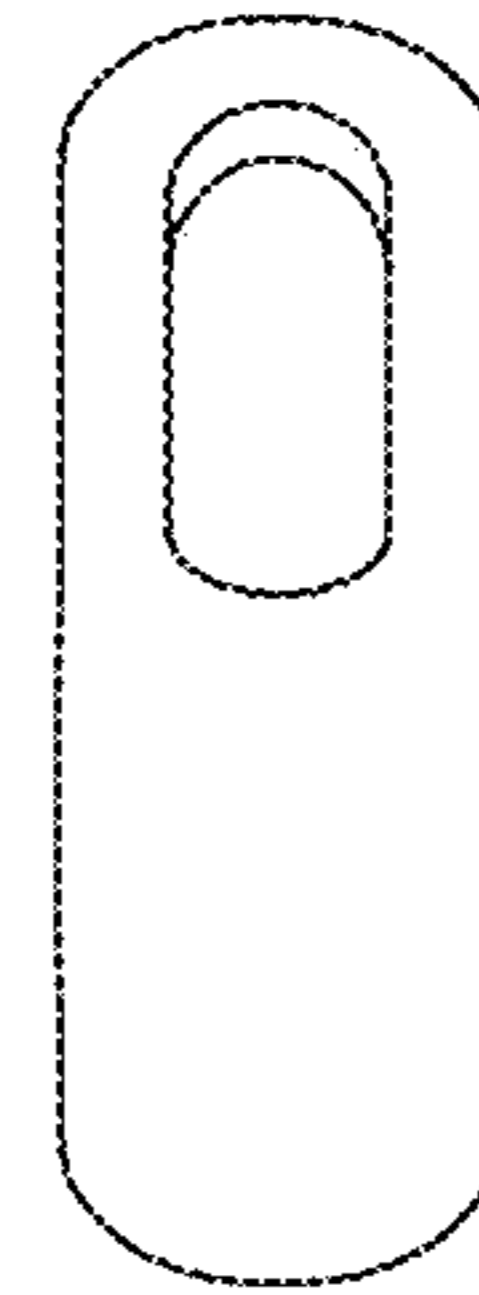


FIG. 13

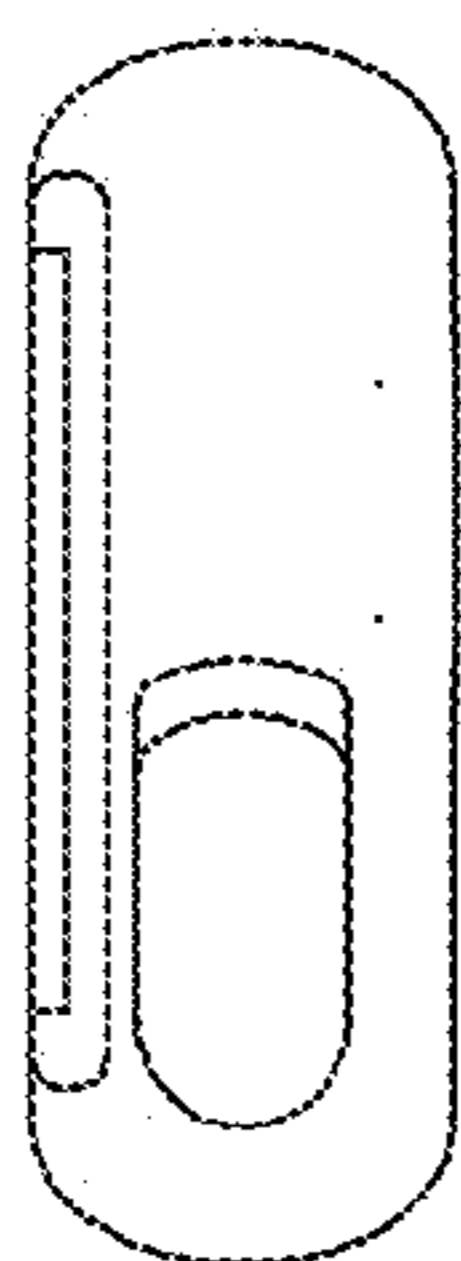


FIG. 16

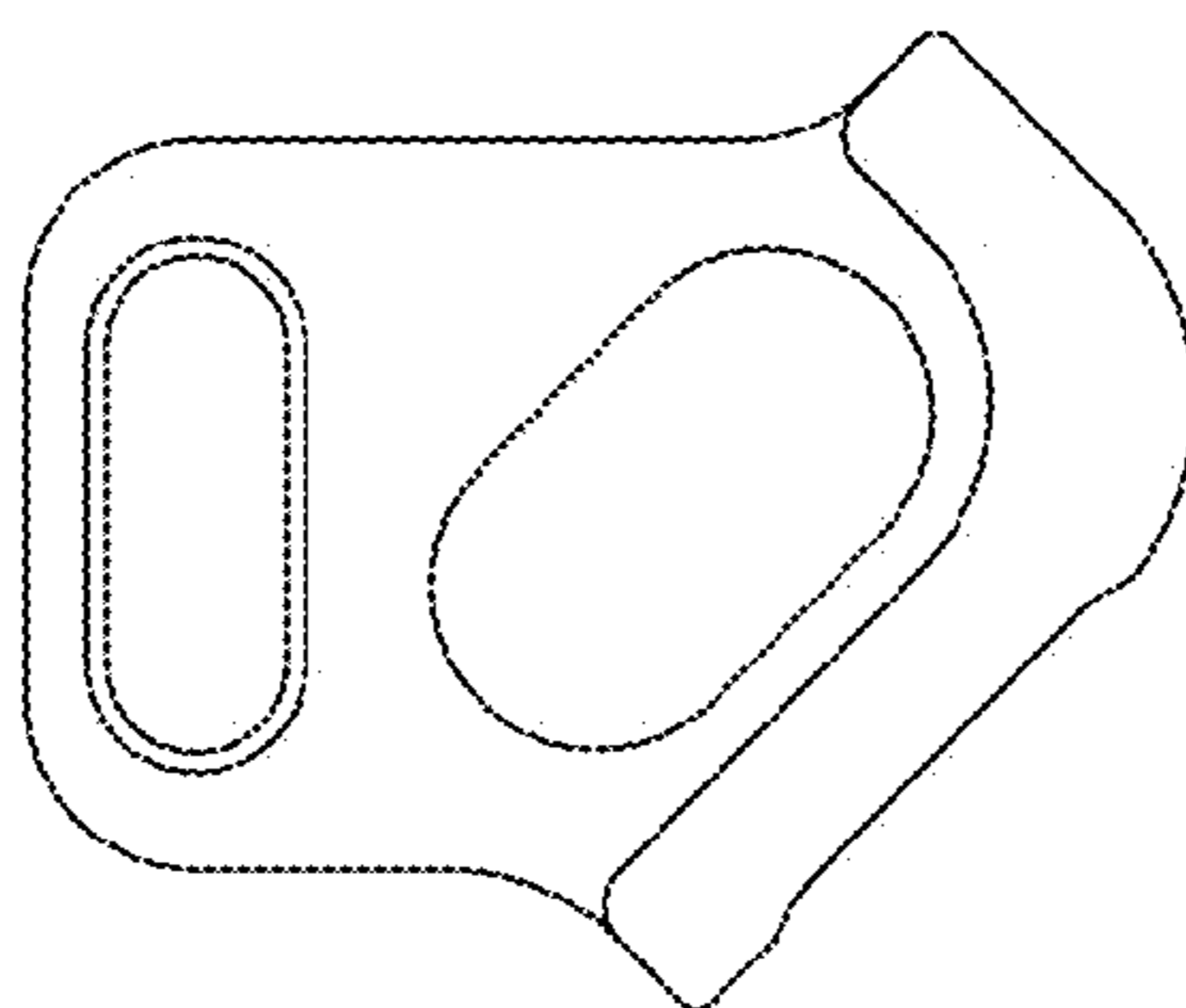


FIG. 14

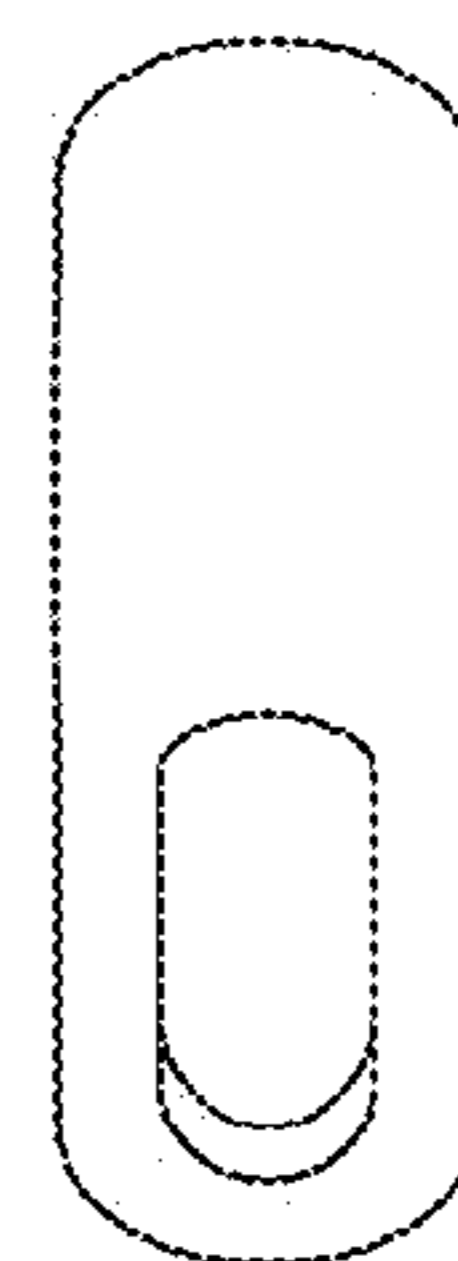


FIG. 18

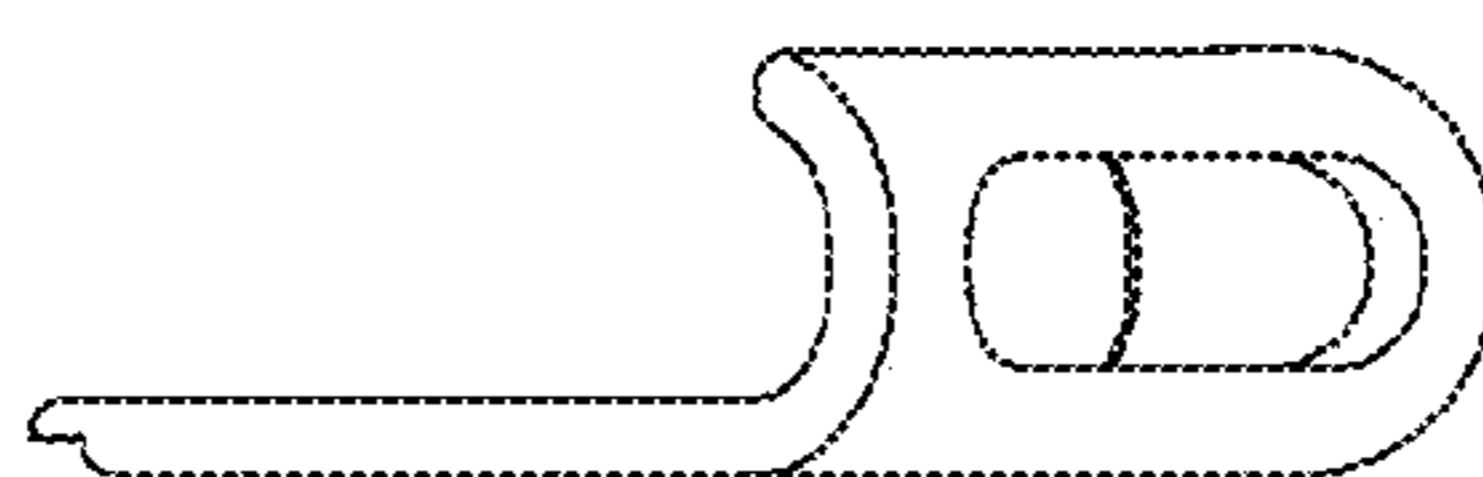


FIG. 15

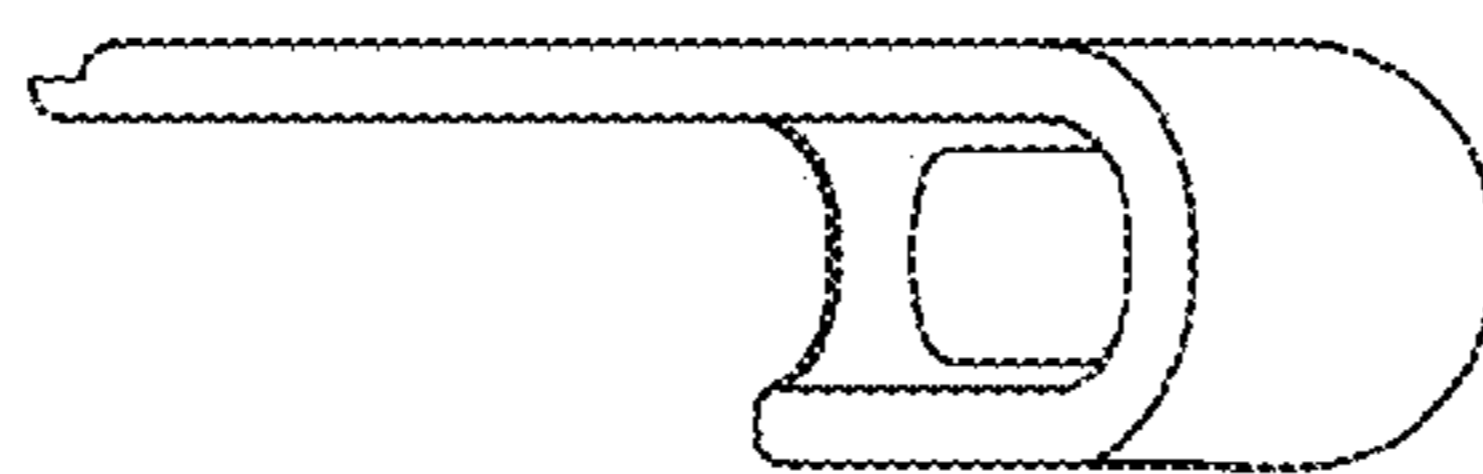


FIG. 17

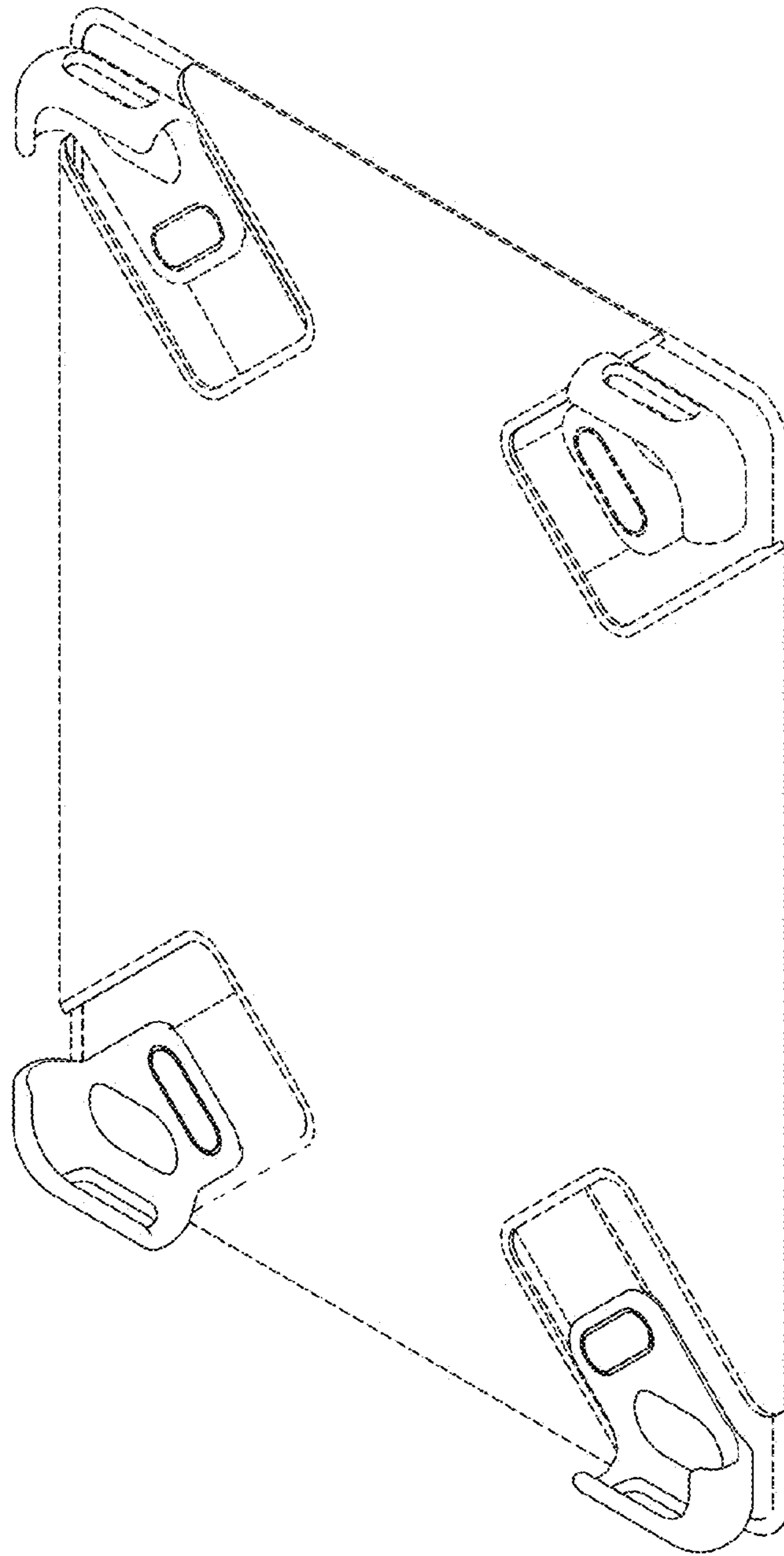


FIG. 19

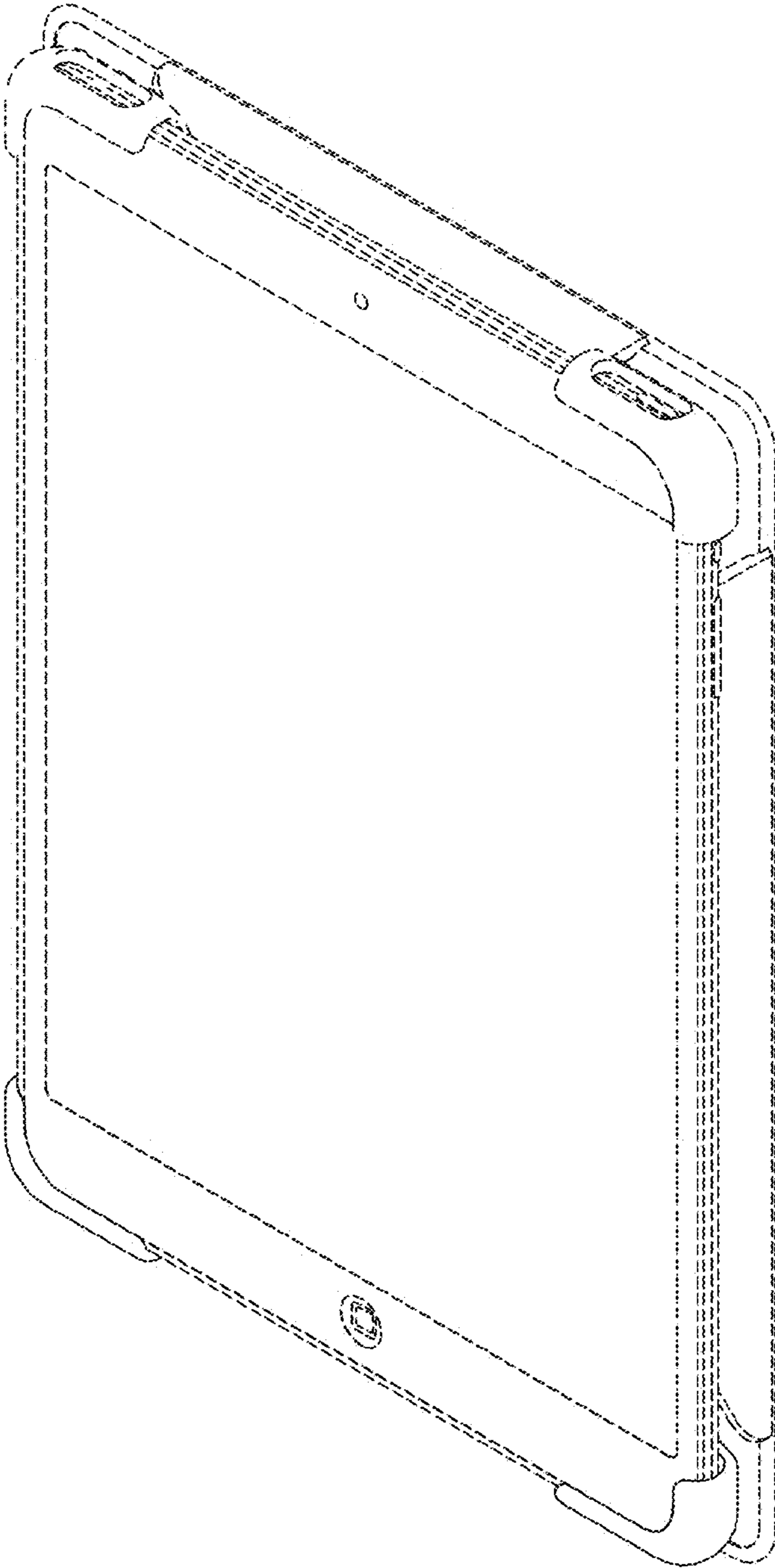


FIG.20