



US00D757014S

(12) **United States Design Patent**  
**Hahn et al.**

(10) **Patent No.:** **US D757,014 S**  
(45) **Date of Patent:** **\*\* May 24, 2016**

- (54) **SMARTWATCH CHARGING POD**
- (71) Applicant: **Nomad Goods, Inc.**, Santa Barbara, CA (US)
- (72) Inventors: **Brian Hahn**, Summerland, CA (US);  
**Noah Dentzel**, Summerland, CA (US)
- (\*\*) Term: **14 Years**
- (21) Appl. No.: **29/520,579**
- (22) Filed: **Mar. 16, 2015**
- (51) **LOC (10) Cl.** ..... **14-02**
- (52) **U.S. Cl.**  
USPC ..... **D14/434**; D13/108
- (58) **Field of Classification Search**  
USPC ..... D14/432-434, 314, 204, 420, 421, 447,  
D14/217, 358, 138 R, 140, 142, 253, 356;  
D13/107, 108, 146; D8/373;  
248/346.03, 176.1; 361/679.41,  
361/679.31, 679.32, 679.4, 679.43, 679.55,  
361/679.58, 679.33; 320/107, 109,  
320/112-115; 710/15, 303; 455/557;  
439/347, 534  
CPC ..... H02J 7/0042; H02J 7/00; H02J 7/025;  
H02J 7/0044; H02J 7/0045; H01R 31/065;  
H01R 13/6675; H01M 10/44; F16M 11/10;  
Y02E 60/12; Y02T 90/14; Y02T 90/122;  
Y02T 90/128; Y02T 90/163; G06F 1/1654  
See application file for complete search history.

- (56) **References Cited**  
U.S. PATENT DOCUMENTS  
D453,329 S \* 2/2002 Muramatsu ..... D14/230  
D585,898 S \* 2/2009 Skurdal ..... D14/434

- D598,018 S \* 8/2009 Sumii ..... D14/301
- D600,694 S \* 9/2009 Sumii ..... D14/356
- D659,093 S \* 5/2012 Schmid ..... D13/108
- D680,541 S \* 4/2013 Lee ..... D14/217
- D694,182 S \* 11/2013 Lee ..... D13/108
- D697,027 S \* 1/2014 Ho ..... D13/108
- D697,475 S \* 1/2014 Regole ..... D13/108
- 2009/0134838 A1 \* 5/2009 Raghuprasad ..... H02K 53/00  
320/108

\* cited by examiner

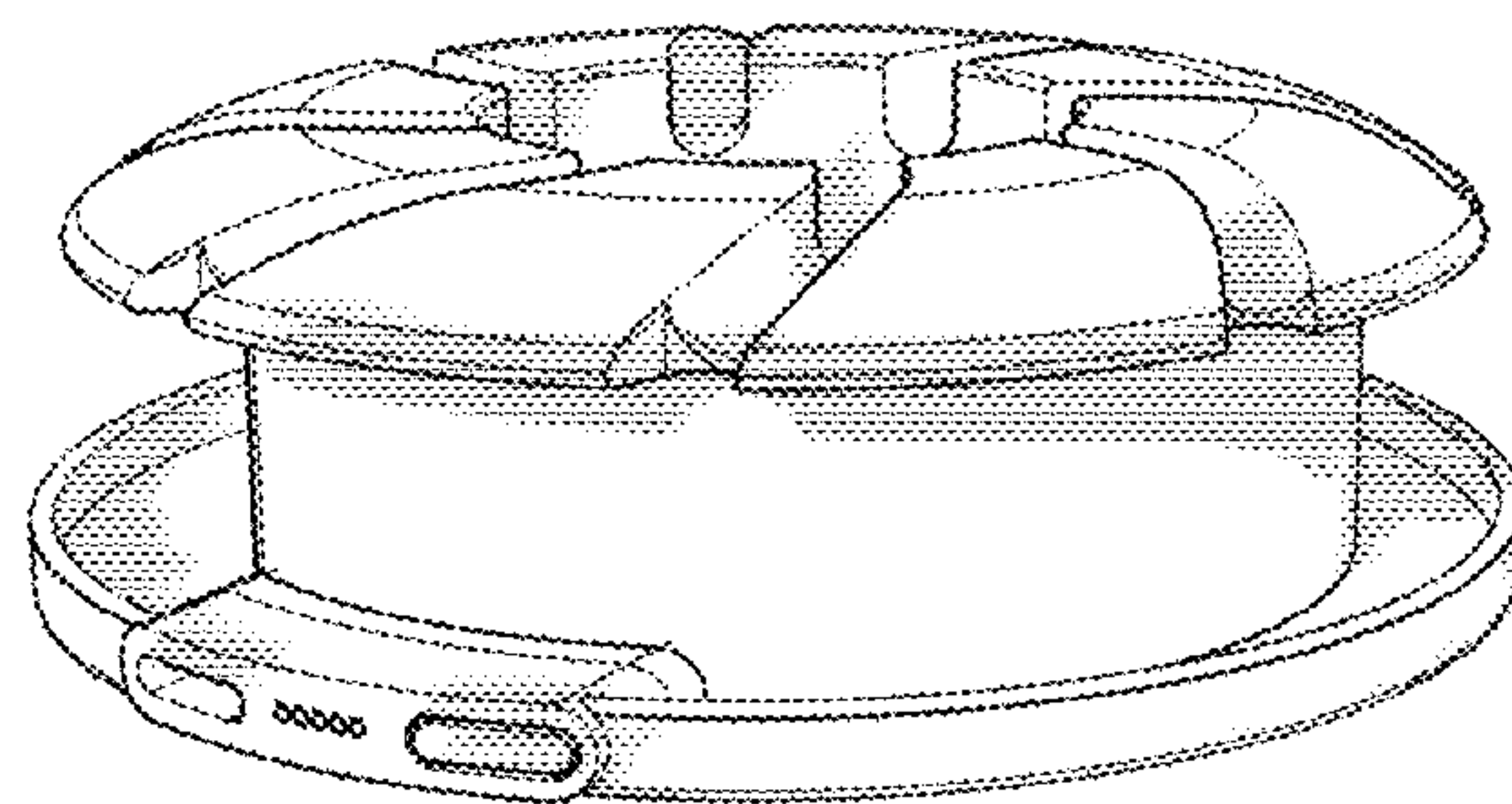
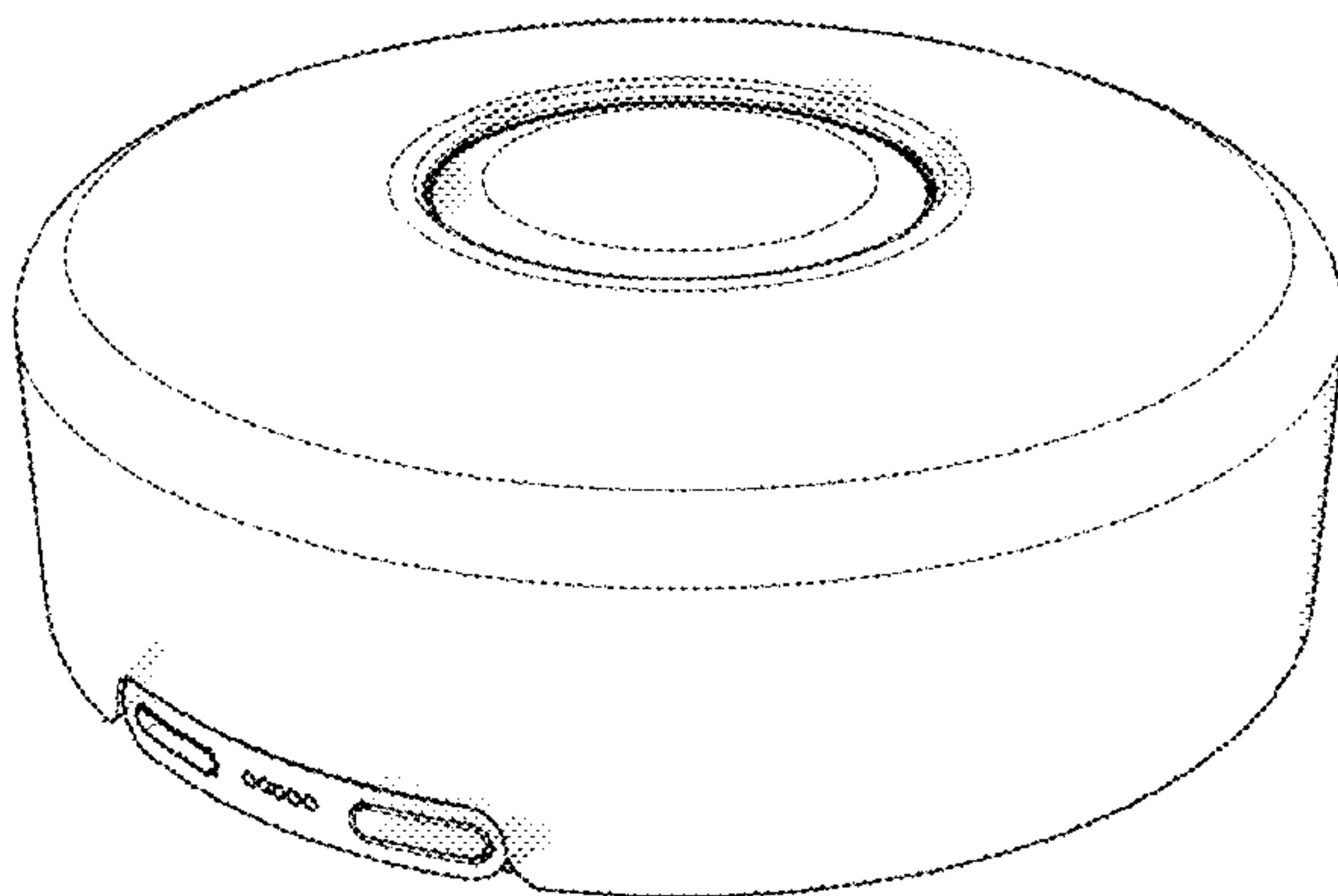
*Primary Examiner* — Freda S Nunn

(57) **CLAIM**  
We claim the ornamental design for a smartwatch charging pod, as shown and described.

**DESCRIPTION**

FIG. 1 is a front left perspective view of a smartwatch charging pod showing our new design;  
FIG. 2 is a front elevational view thereof;  
FIG. 3 is a rear elevational view thereof;  
FIG. 4 a right elevational view thereof;  
FIG. 5 is a left elevational view thereof;  
FIG. 6 is a top plan view thereof;  
FIG. 7 is a bottom plan view thereof;  
FIG. 8 is a front left perspective view of the smartwatch charging pod with a cover removed; and,  
FIG. 9 is a top front perspective view of the smartwatch charging pod with the cover removed.

**1 Claim, 9 Drawing Sheets**



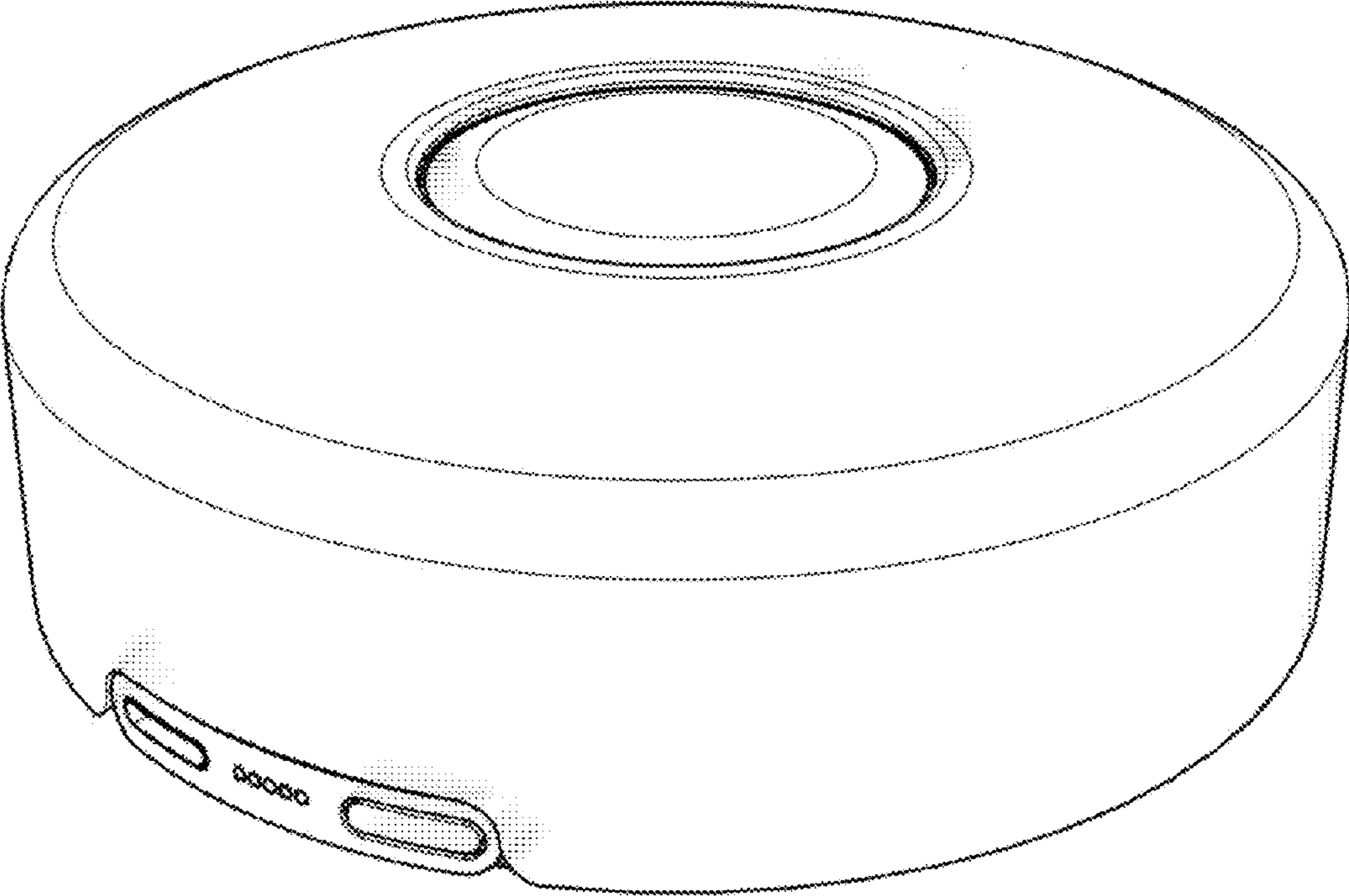


FIG. 1

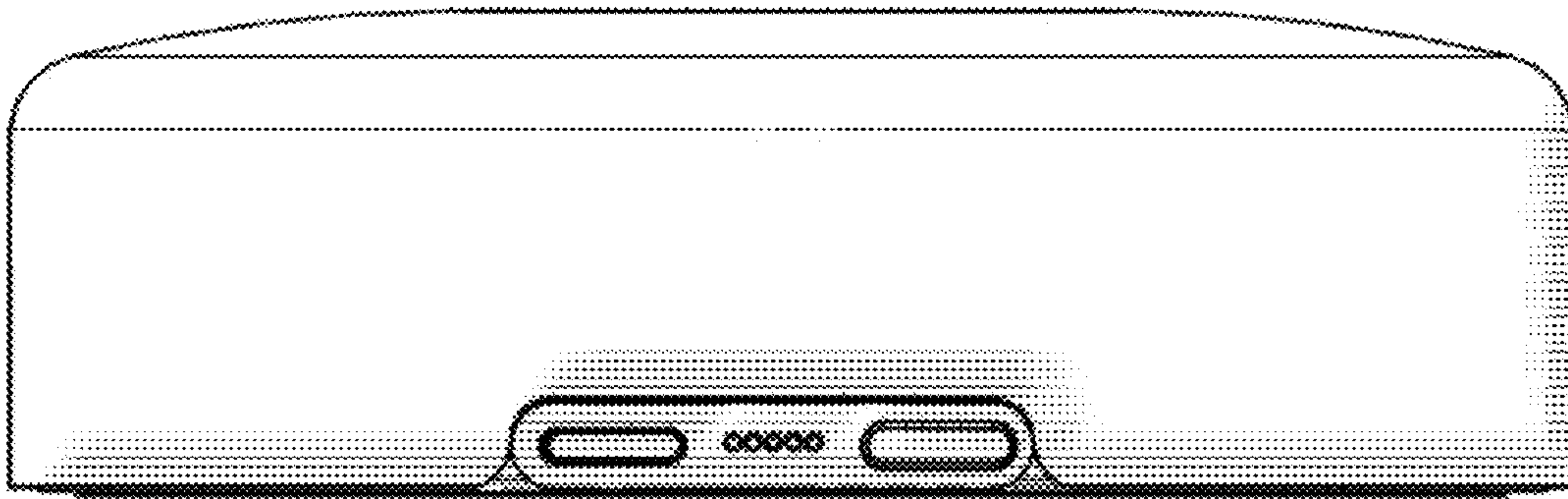


FIG. 2

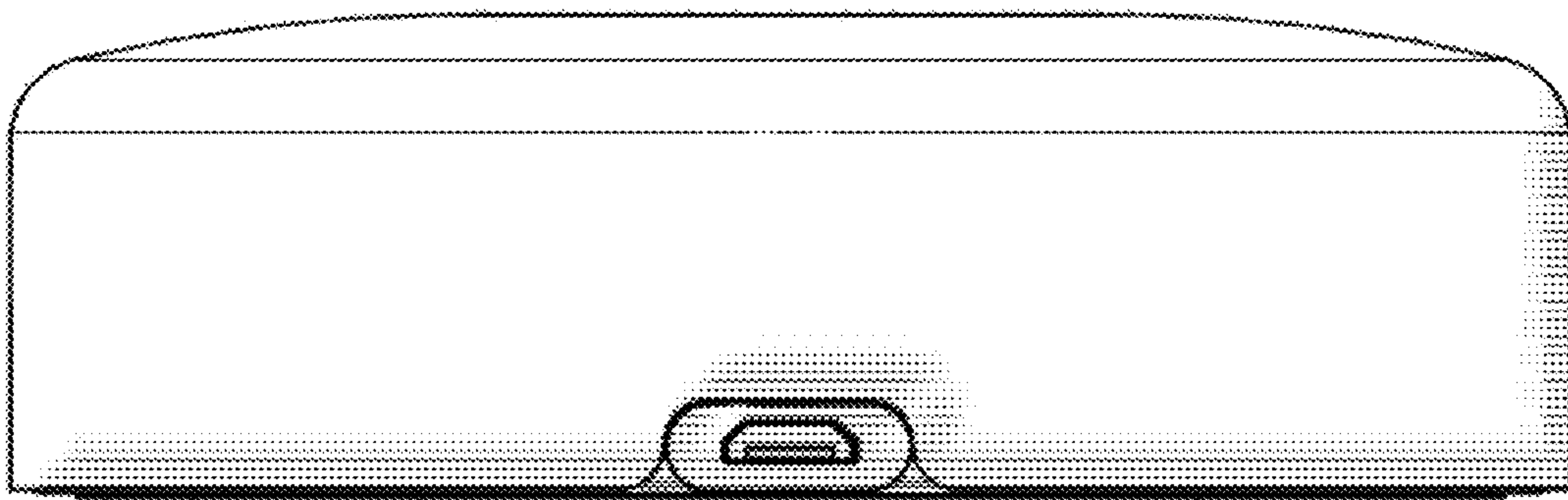


FIG. 3

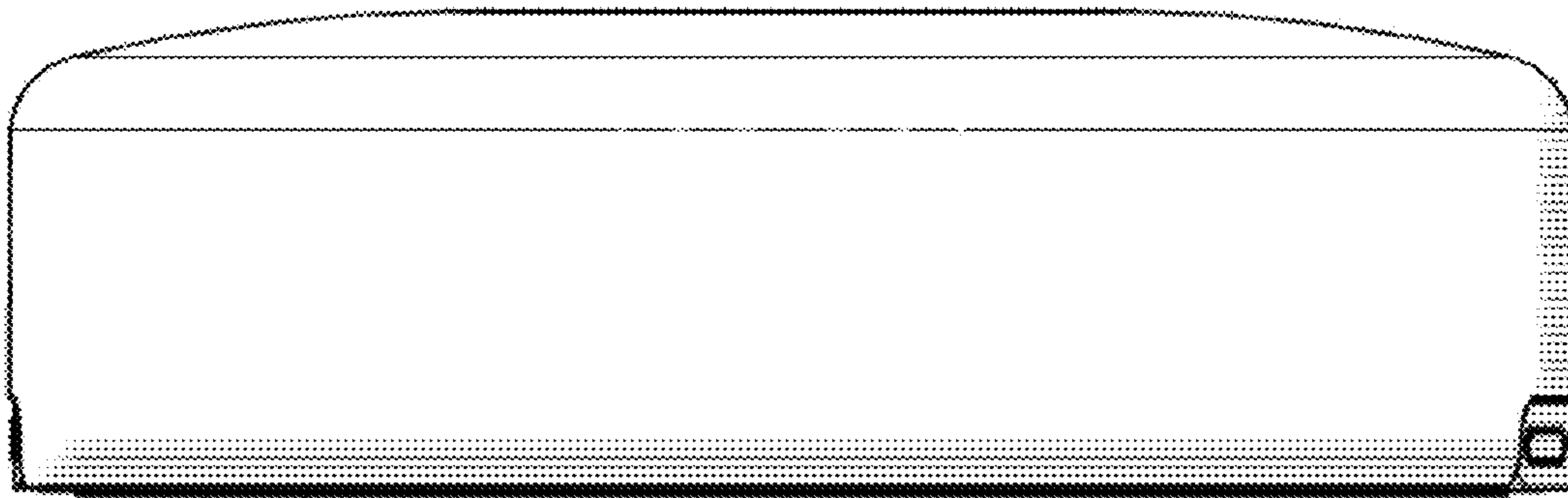


FIG. 4

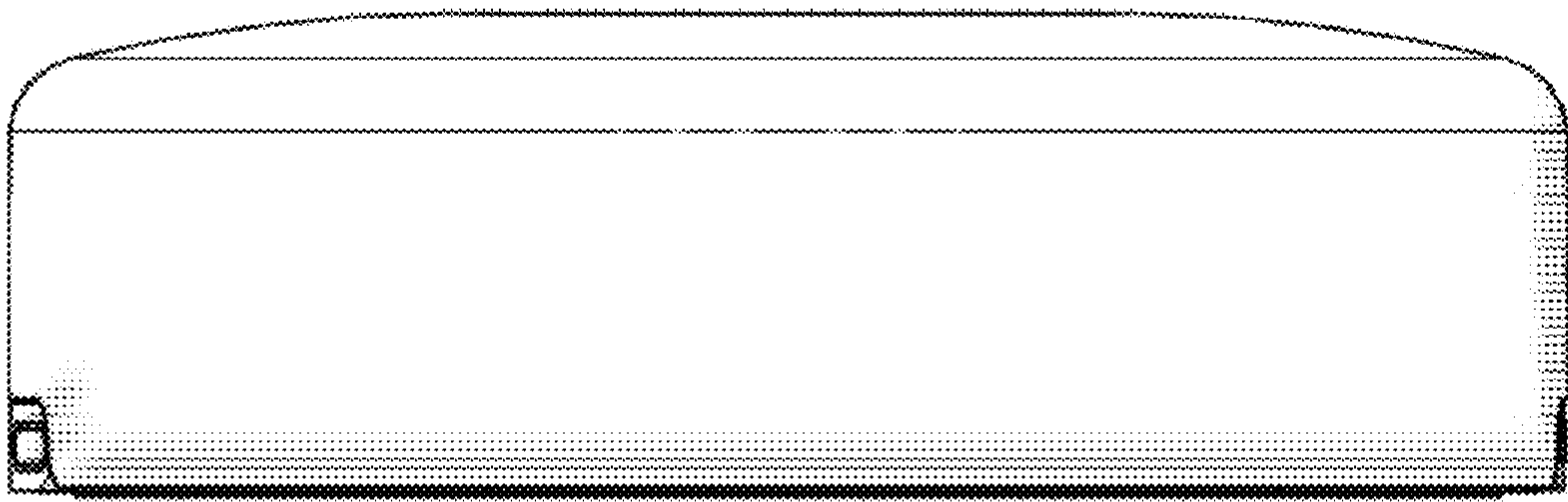


FIG. 5



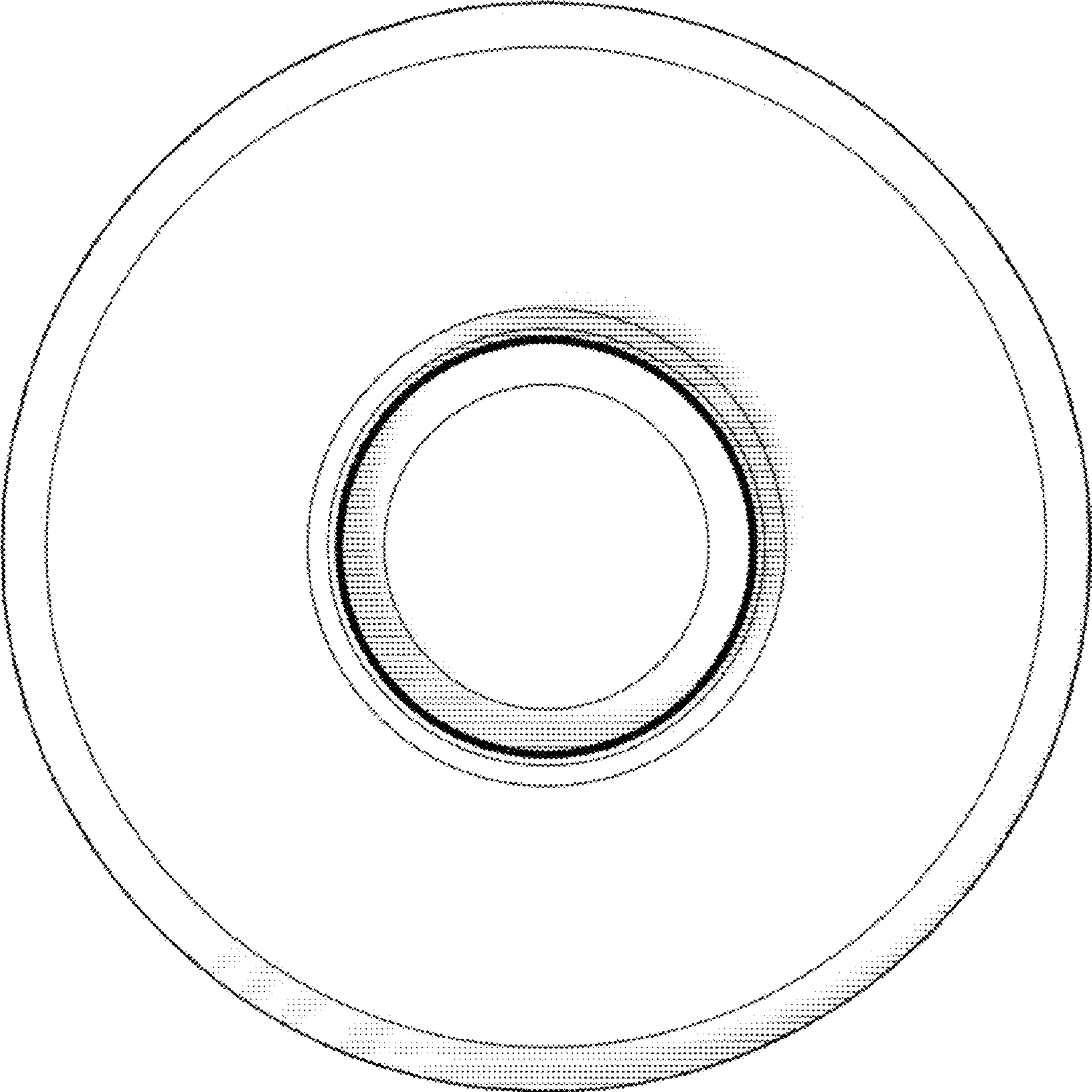


FIG. 6

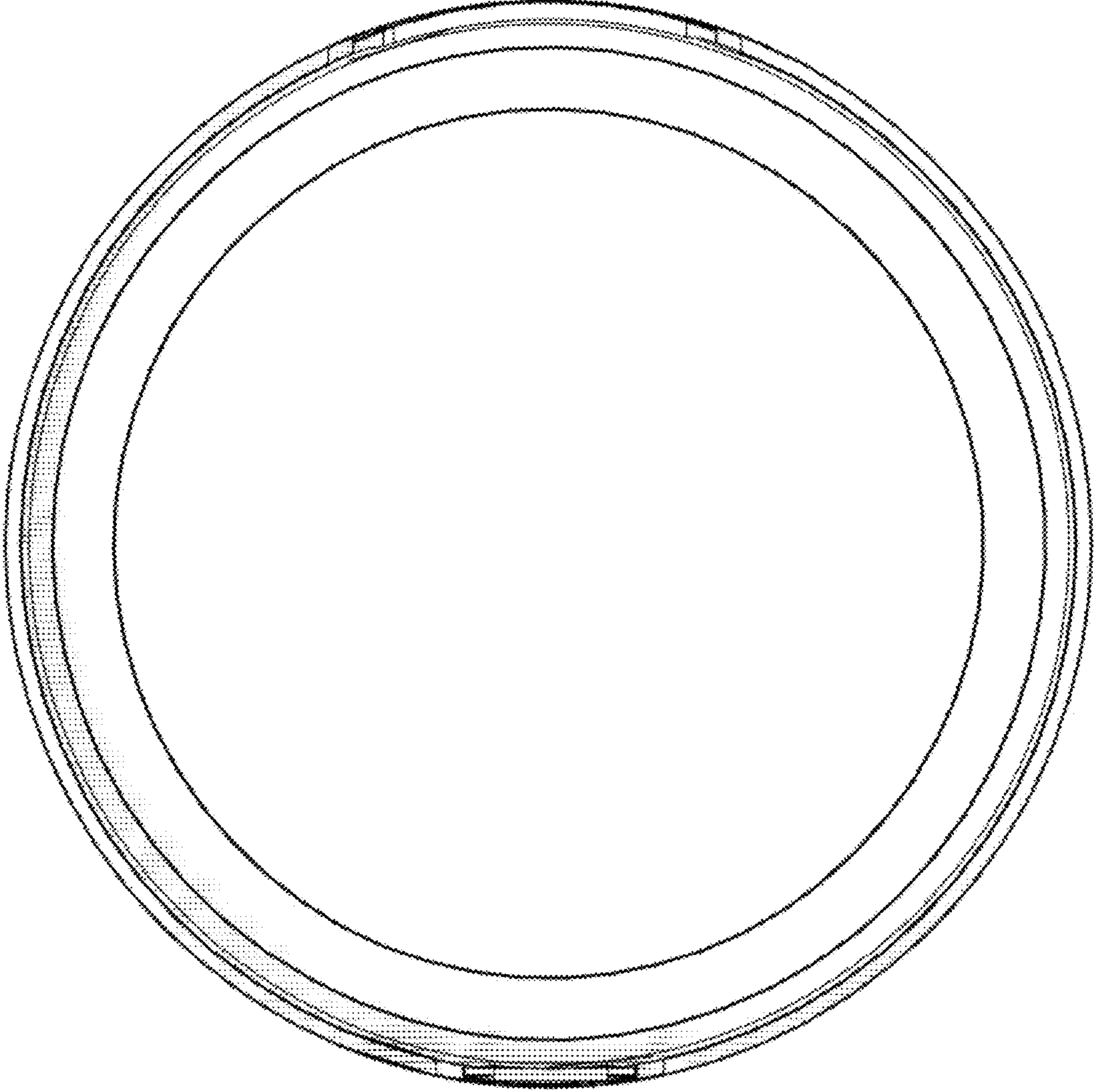


FIG. 7



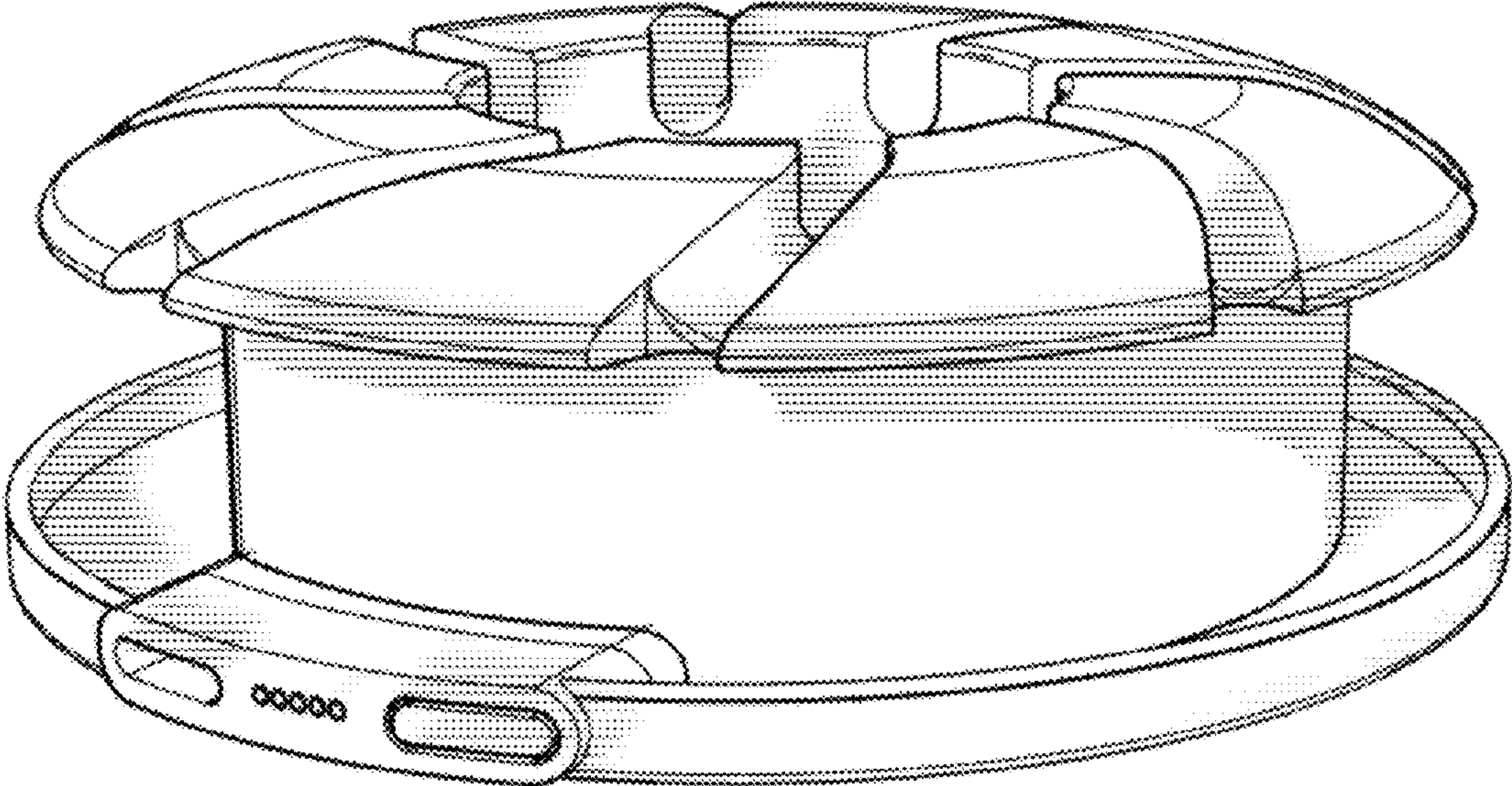


FIG. 8

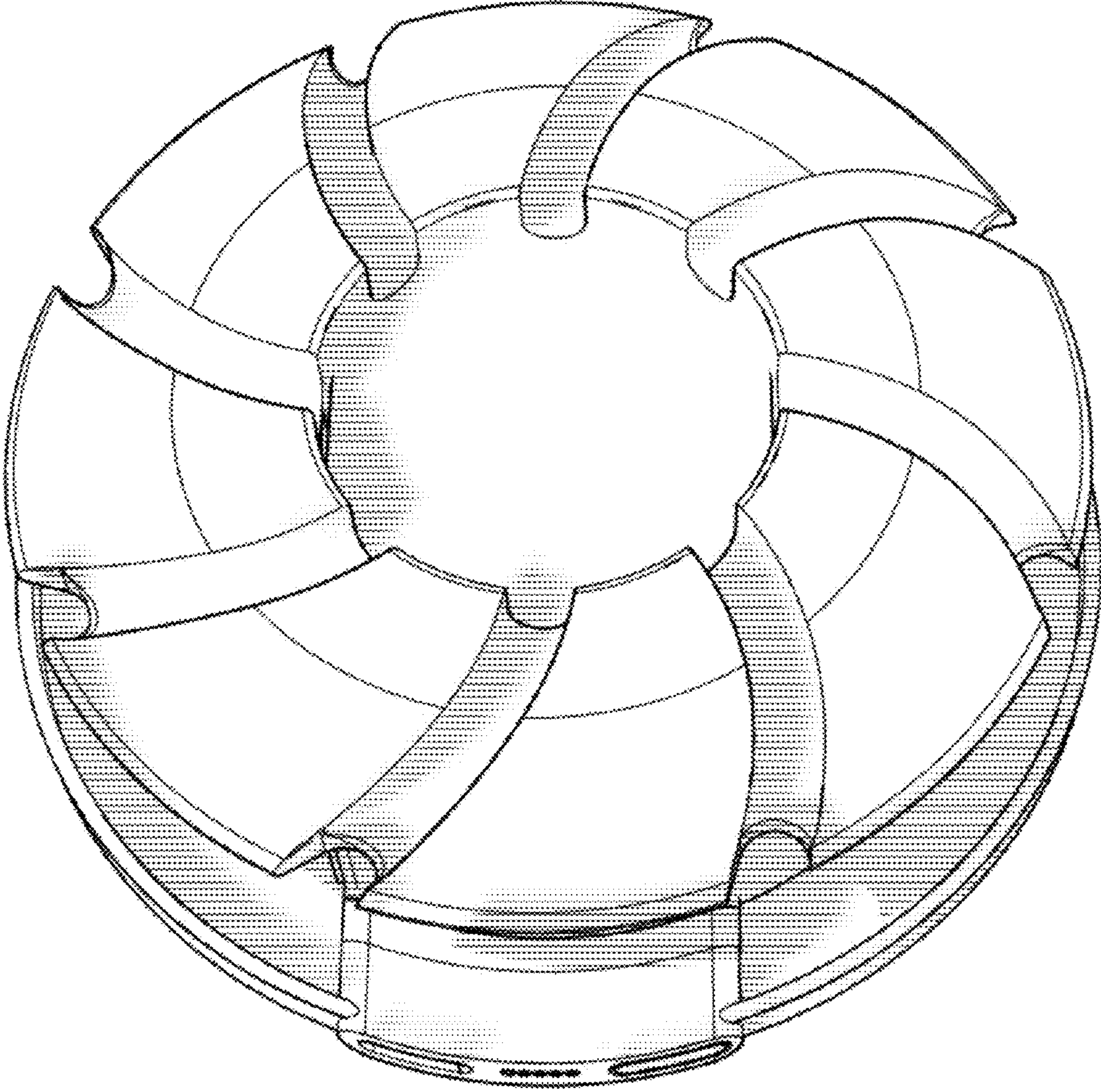


FIG. 9