



US00D757013S

(12) **United States Design Patent**
Sale et al.

(10) **Patent No.:** **US D757,013 S**
(45) **Date of Patent:** **** May 24, 2016**

(54) **DOCKING STAND**

- (71) Applicant: **DTT (HOLDINGS) PTY LTD,**
Toowong (AU)
- (72) Inventors: **Robert Charles Sale,** Pullenvale (AU);
Mark Robert Guthrie, Pullenvale (AU)
- (73) Assignee: **DTT (Holdings) Pty Ltd** (AU)
- (**) Term: **14 Years**
- (21) Appl. No.: **29/497,610**
- (22) Filed: **Jul. 25, 2014**

Related U.S. Application Data

- (62) Division of application No. 29/436,120, filed on Nov. 1, 2012, now Pat. No. Des. 720,744.

Foreign Application Priority Data

- (30) May 2, 2012 (AU) 12142/2012
- May 2, 2012 (AU) 12688/2012
- May 2, 2012 (AU) 12689/2012

- (51) **LOC (10) Cl.** **14-02**
- (52) **U.S. Cl.**
USPC **D14/434**

(58) **Field of Classification Search**

USPC D14/432-434, 314, 204, 420, 421, 447,
D14/217, 358, 138 R, 140, 142, 253;
D13/107, 108, 146; D8/373;
248/346.03, 176.1; 361/679.41,
361/679.31, 679.32, 679.4, 679.43, 679.55,
361/679.58, 679.33; 320/107, 109,
320/112-115; 710/15, 303; 455/557;
439/347, 534
CPC H02J 7/0042; H02J 7/00; H01R 31/065;
H01M 10/44; F16M 11/10
See application file for complete search history.

(56) **References Cited**

U.S. PATENT DOCUMENTS

- D351,133 S * 10/1994 Jungels-Butler D13/108
- 6,647,248 B1 * 11/2003 Ortscheid B60R 11/0241
224/255
- D580,856 S 11/2008 Haspil et al.
- D587,704 S 3/2009 McCoy
- D622,250 S 8/2010 Kwon et al.
- D626,109 S 10/2010 Kim et al.
- D637,992 S 5/2011 Tom et al.
- D638,831 S * 5/2011 Paradise D14/253
- D640,699 S 6/2011 McParland
- D642,979 S 8/2011 Chun et al.
- D645,442 S 9/2011 Landwehr
- D650,349 S 12/2011 Tom et al.
- D657,336 S 4/2012 Nilsen et al.
- D669,851 S 10/2012 Ikegame
- D669,892 S 10/2012 Hofer et al.
- D670,283 S * 11/2012 Wikel D14/253

(Continued)

OTHER PUBLICATIONS

U.S. Appl. No. 29/436,120, filed Nov. 1, 2012.

Primary Examiner — Freda S Nunn

(74) *Attorney, Agent, or Firm* — Barnes & Thornburg LLP

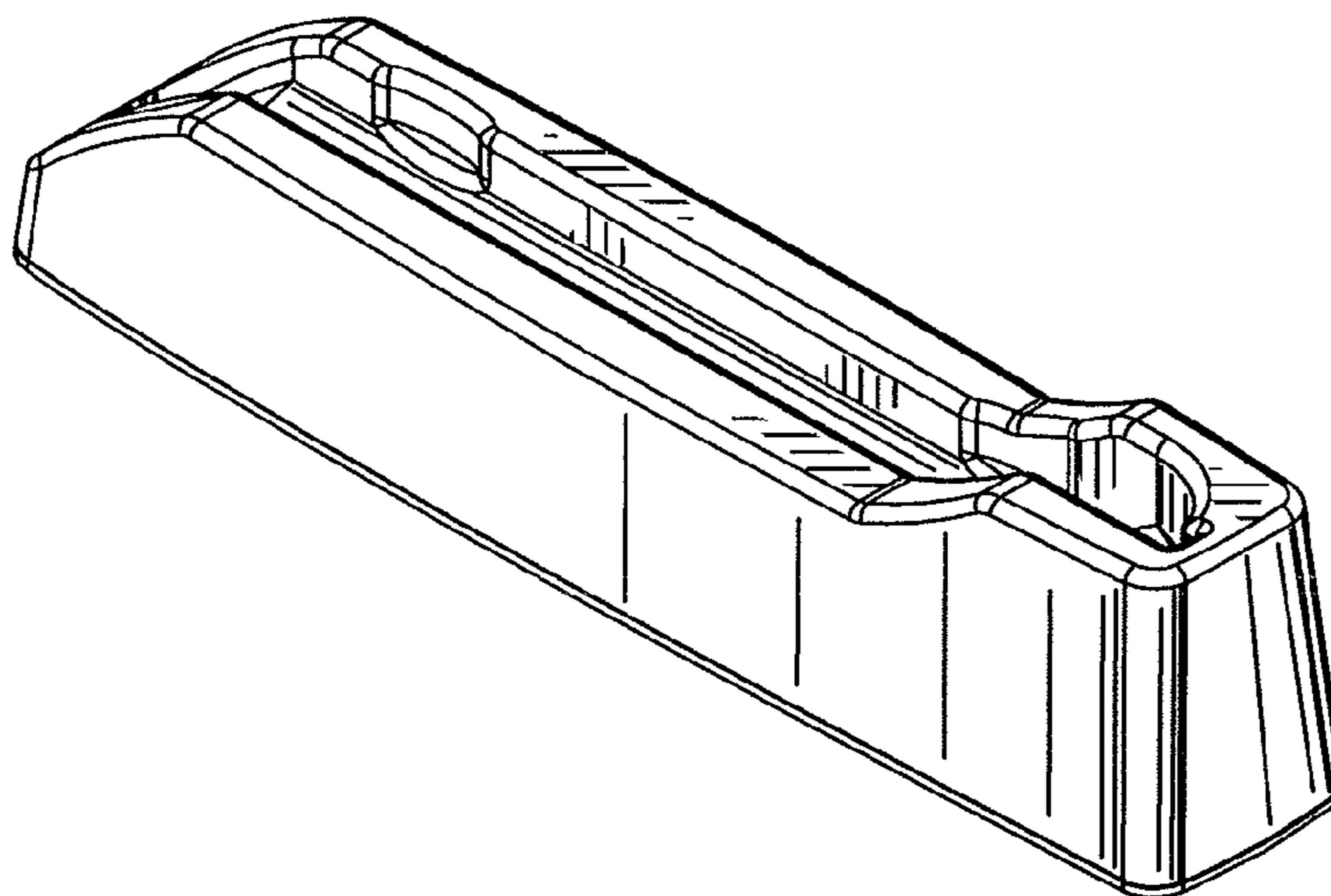
(57) **CLAIM**

The ornamental design for a docking stand, as shown and described.

DESCRIPTION

FIG. 1 is a top, front isometric view of our docking stand;
FIG. 2 is a bottom rear isometric view thereof;
FIG. 3 is a front elevational view thereof;
FIG. 4 is a rear elevational view thereof;
FIG. 5 is a top plan view thereof;
FIG. 6 is a bottom plan view thereof;
FIG. 7 is a left side elevational view thereof; and,
FIG. 8 is a right side elevational view thereof.

1 Claim, 3 Drawing Sheets



(56)

References Cited

U.S. PATENT DOCUMENTS

D671,949 S * 12/2012 Jeon D14/447
D672,767 S 12/2012 Yoneya et al.
D675,204 S 1/2013 Hofer et al.

D675,205 S 1/2013 Hofer et al.
D678,889 S * 3/2013 Chiu D14/453
D689,476 S * 9/2013 Alexander D14/209.1

* cited by examiner

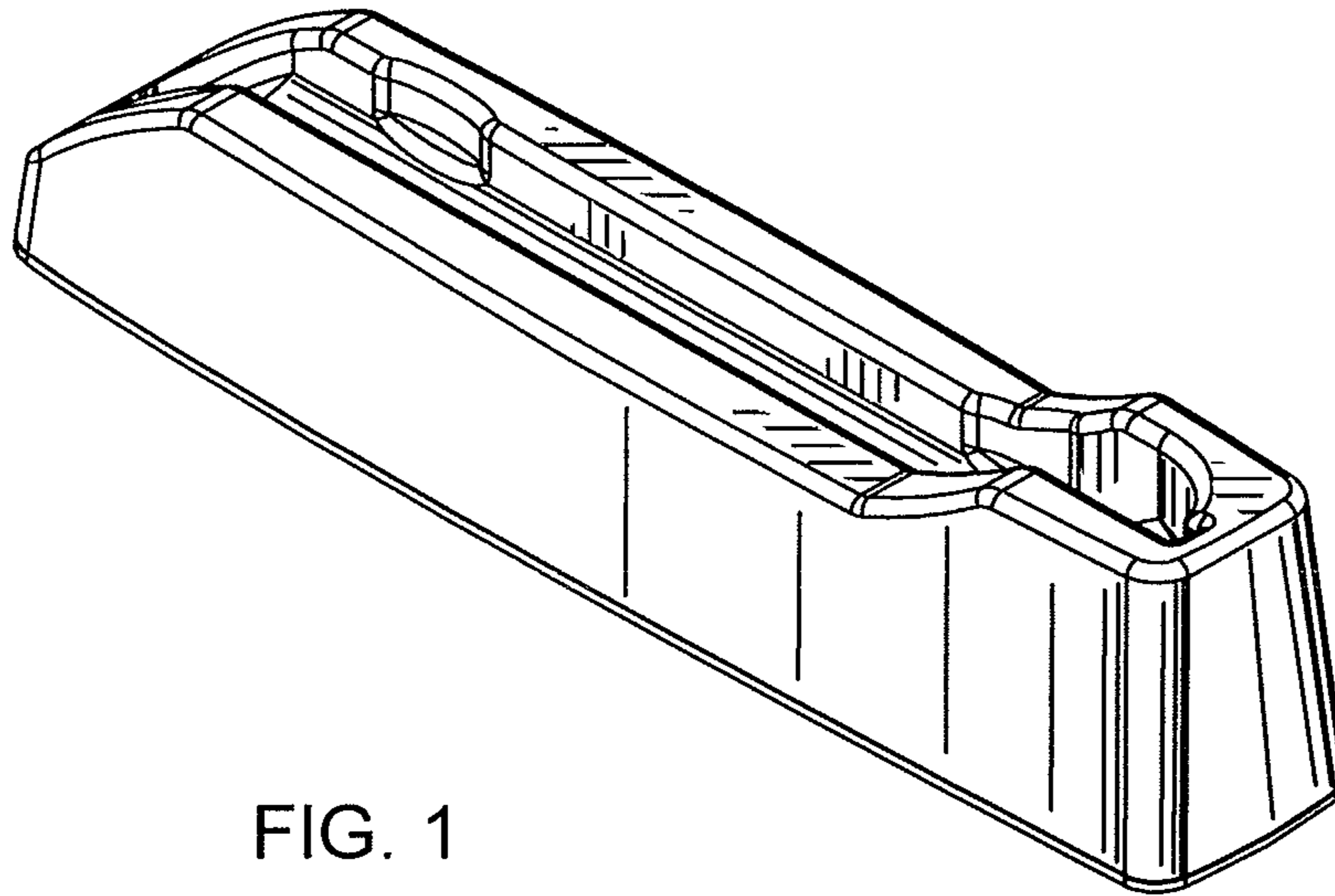


FIG. 1

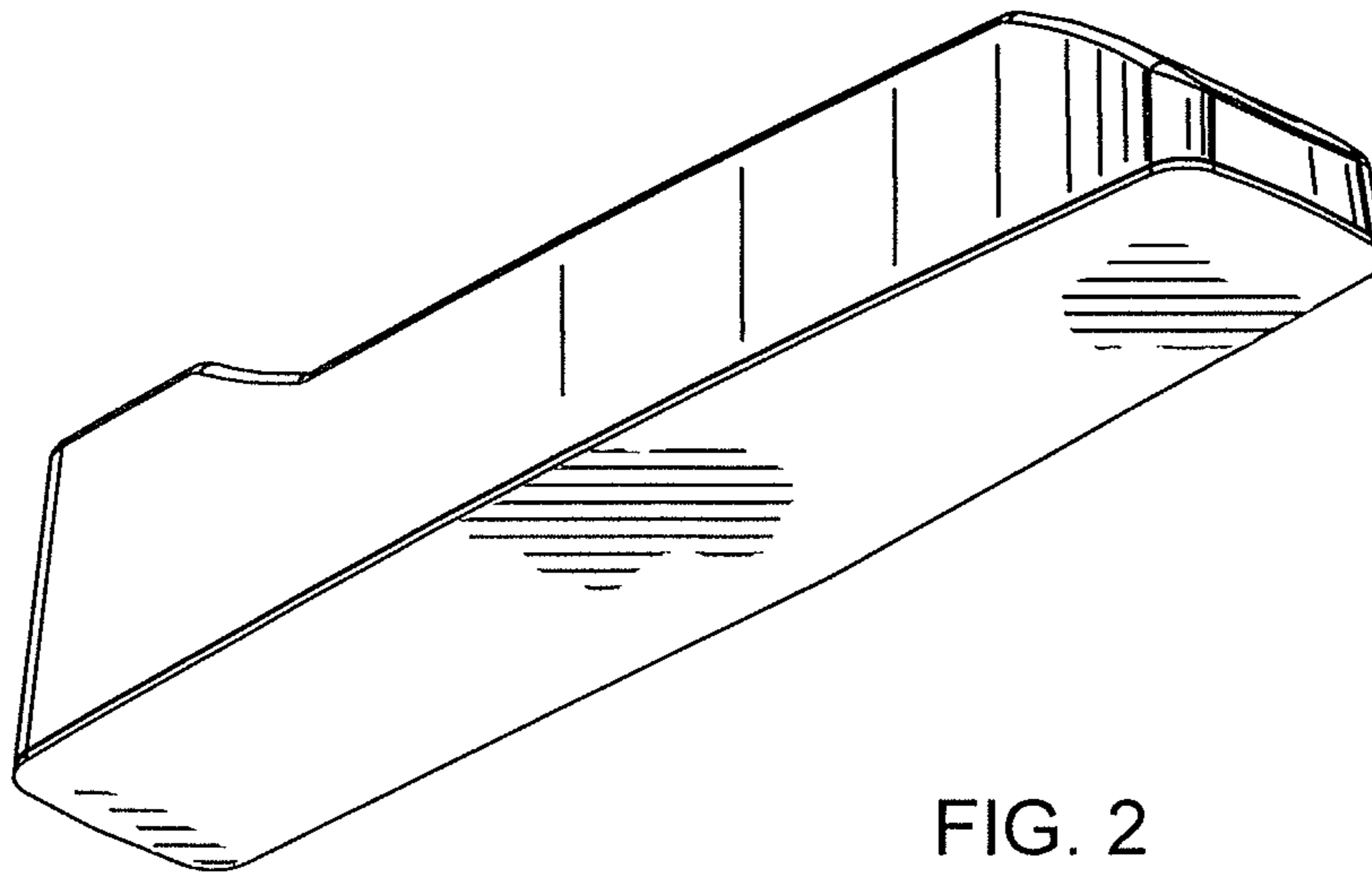


FIG. 2

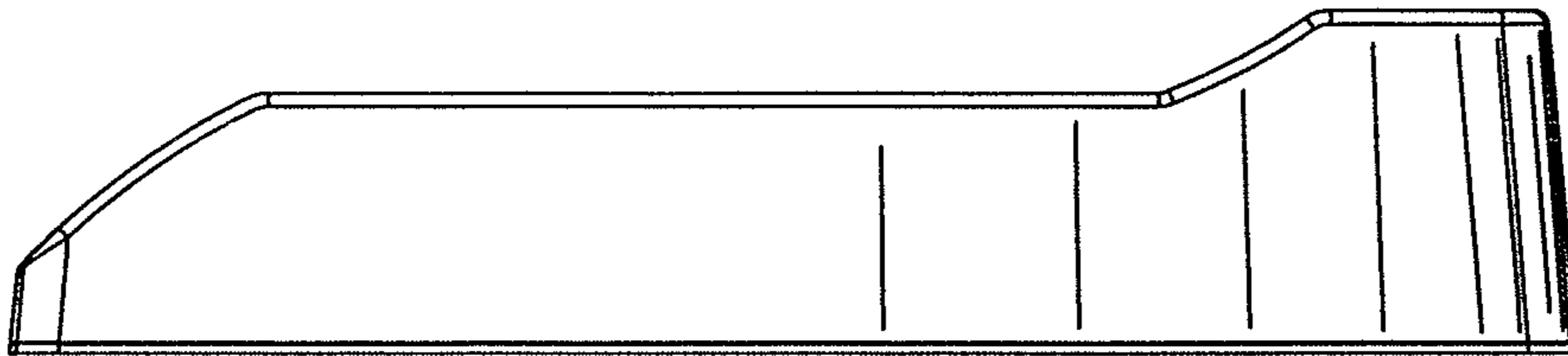


FIG. 3

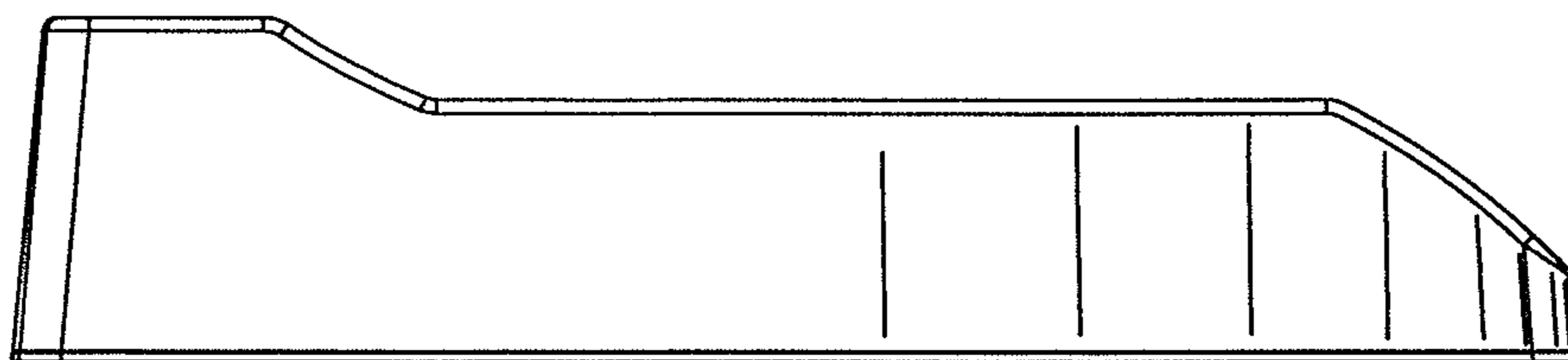


FIG. 4

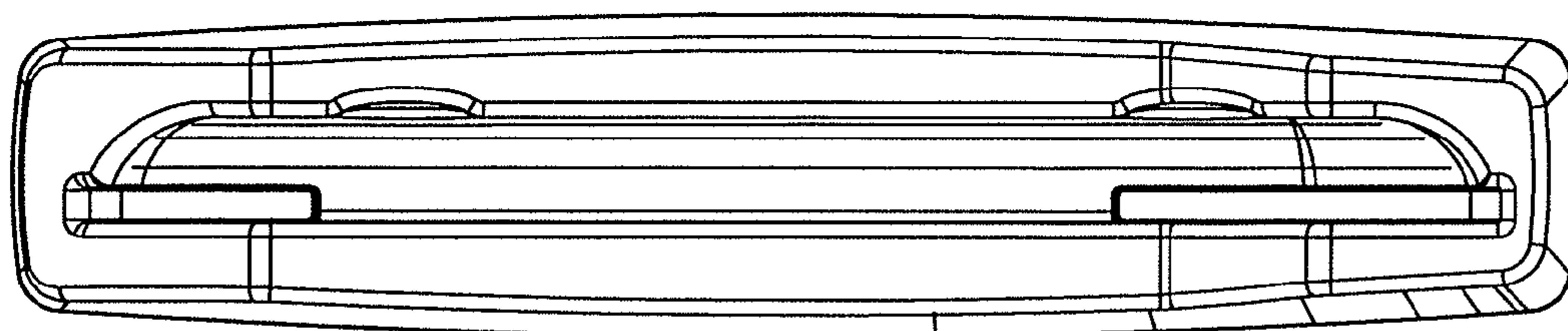


FIG. 5

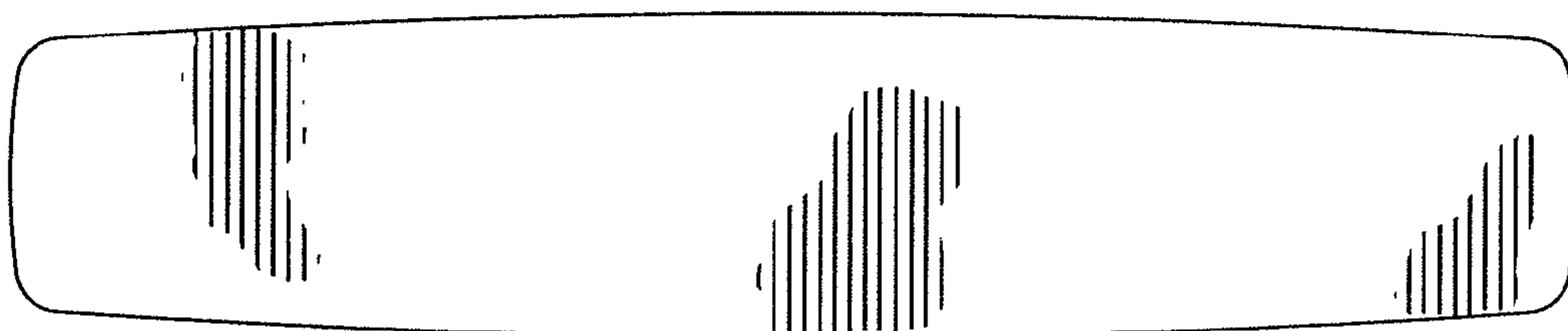


FIG. 6

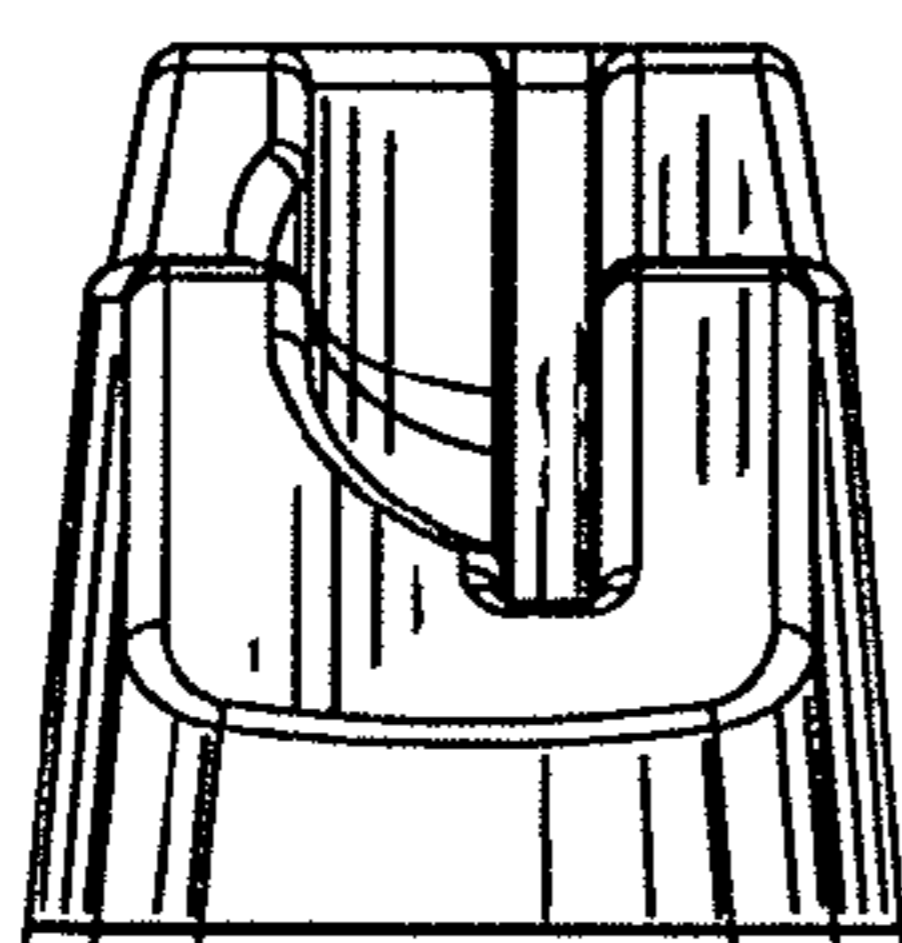


FIG. 7

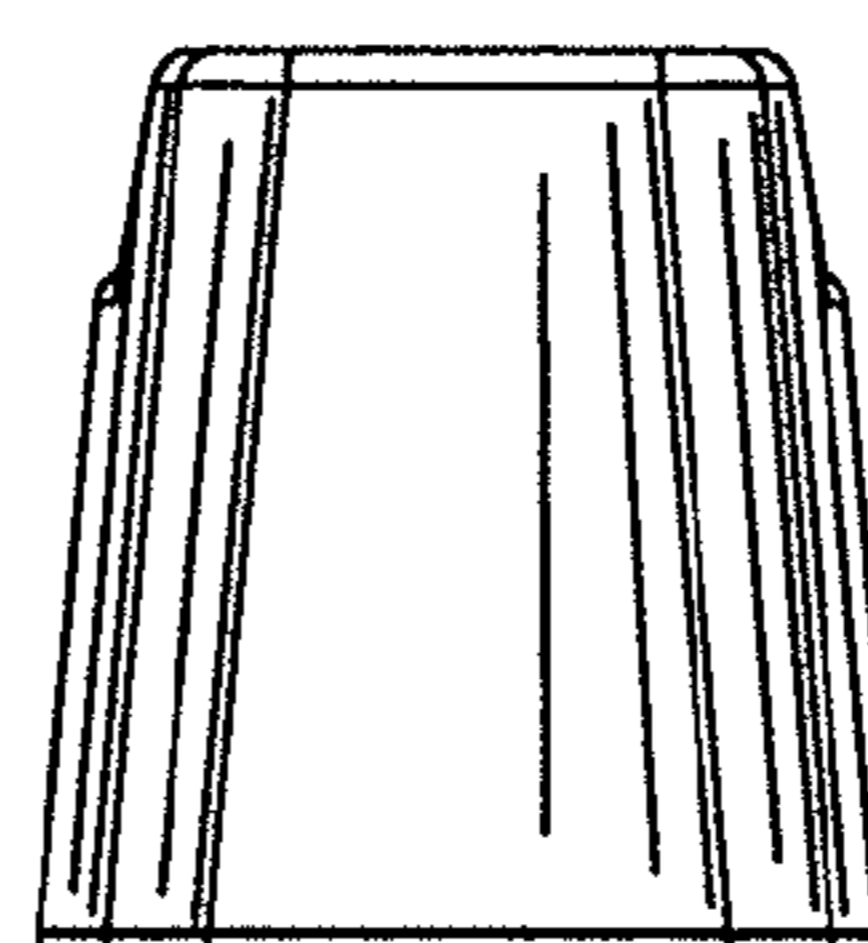


FIG. 8