



US00D757012S

(12) **United States Design Patent**
Shi et al.

(10) **Patent No.:** **US D757,012 S**
(45) **Date of Patent:** **** May 24, 2016**

(54) **DOCKING DEVICE**

(71) Applicant: **LENOVO (BEIJING) CO., LTD.**,
Beijing (CN)

(72) Inventors: **Wenbo Shi**, Beijing (CN); **Rong Gao**,
Beijing (CN)

(73) Assignee: **Lenovo (Beijing) Co., Ltd.**, Beijing
(CN)

(**) Term: **14 Years**

(21) Appl. No.: **29/472,546**

(22) Filed: **Nov. 13, 2013**

(30) **Foreign Application Priority Data**

May 14, 2013 (CN) 2013 3 0177852

(51) **LOC (10) Cl.** **14-02**

(52) **U.S. Cl.**
USPC **D14/434**

(58) **Field of Classification Search**
USPC D14/391–399, 385, 434, 455, 217;
D18/1, 2, 7, 11; 178/17 A, 17 C;
200/5 A, 5 R, 6 A, 6 R; 235/145 A, 145 R;
345/160, 168, 169; 341/20, 22, 23;
400/484–489, 492, 472; 361/679.08,
361/679.09, 679.4, 679.41, 679.31, 679.32,
361/679.43, 679.55; D13/107, 108;
455/557; 710/15, 303

See application file for complete search history.

(56) **References Cited**

U.S. PATENT DOCUMENTS

D351,831 S * 10/1994 Kuzumoto et al. D14/392
D485,271 S * 1/2004 Kamegi D14/392

D584,304 S * 1/2009 Lin D14/346
D680,544 S * 4/2013 Akana et al. D14/434
D682,274 S * 5/2013 Gengler D14/392

* cited by examiner

Primary Examiner — Freda S Nunn

(74) *Attorney, Agent, or Firm* — Oppedahl Patent Law Firm
LLC

(57) **CLAIM**

The ornamental design for a docking device, as shown and
described.

DESCRIPTION

FIG. 1 is a front side elevation view of our new design for a
docking device.

FIG. 2 is a back side elevation view of FIG. 1.

FIG. 3 is a left side elevation view of FIG. 1.

FIG. 4 is a right side elevation view of FIG. 1.

FIG. 5 is a top side plan view of FIG. 1.

FIG. 6 is a bottom side plan view of FIG. 1.

FIG. 7 is a front side perspective view of FIG. 1.

FIG. 8 is a back perspective view of FIG. 1.

FIG. 9 is a front perspective view of FIG. 1 with a tablet being
mounted in a first position.

FIG. 10 is a front perspective view of FIG. 1 with a tablet
being mounted in a second position.

FIG. 11 is a front perspective view of FIG. 1 with a tablet
being mounted in a third position.

FIG. 12 is a partially enlarged view of a portion of the device
thereof as shown FIG. 1;

FIG. 13 is a partially enlarged view of a portion of the device
thereof as shown in FIG. 3; and,

FIG. 14 is a partially enlarged view of a portion of the device
thereof as shown in FIG. 7.

The features shown in broken lines in the drawing depict
environmental subject matter and unclaimed borders and
form no part of the claimed design.

1 Claim, 10 Drawing Sheets

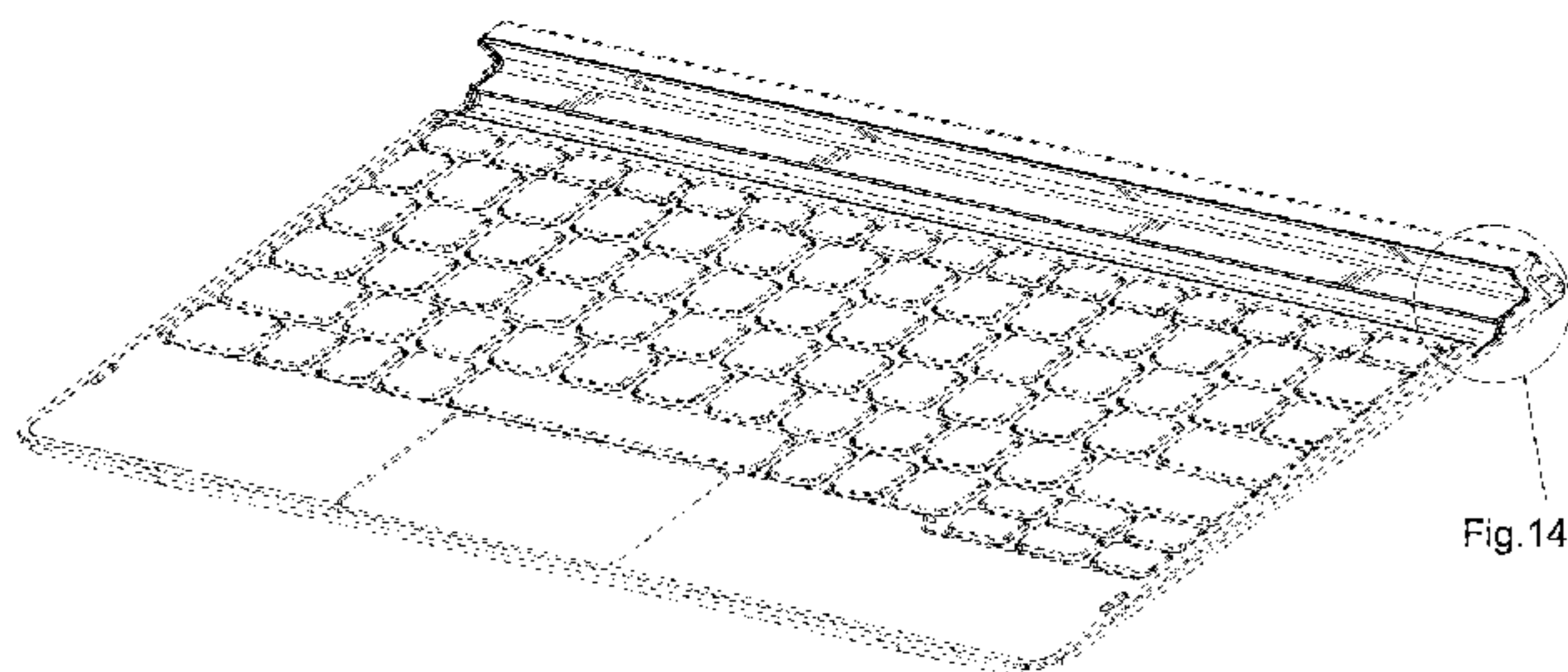


Fig. 14

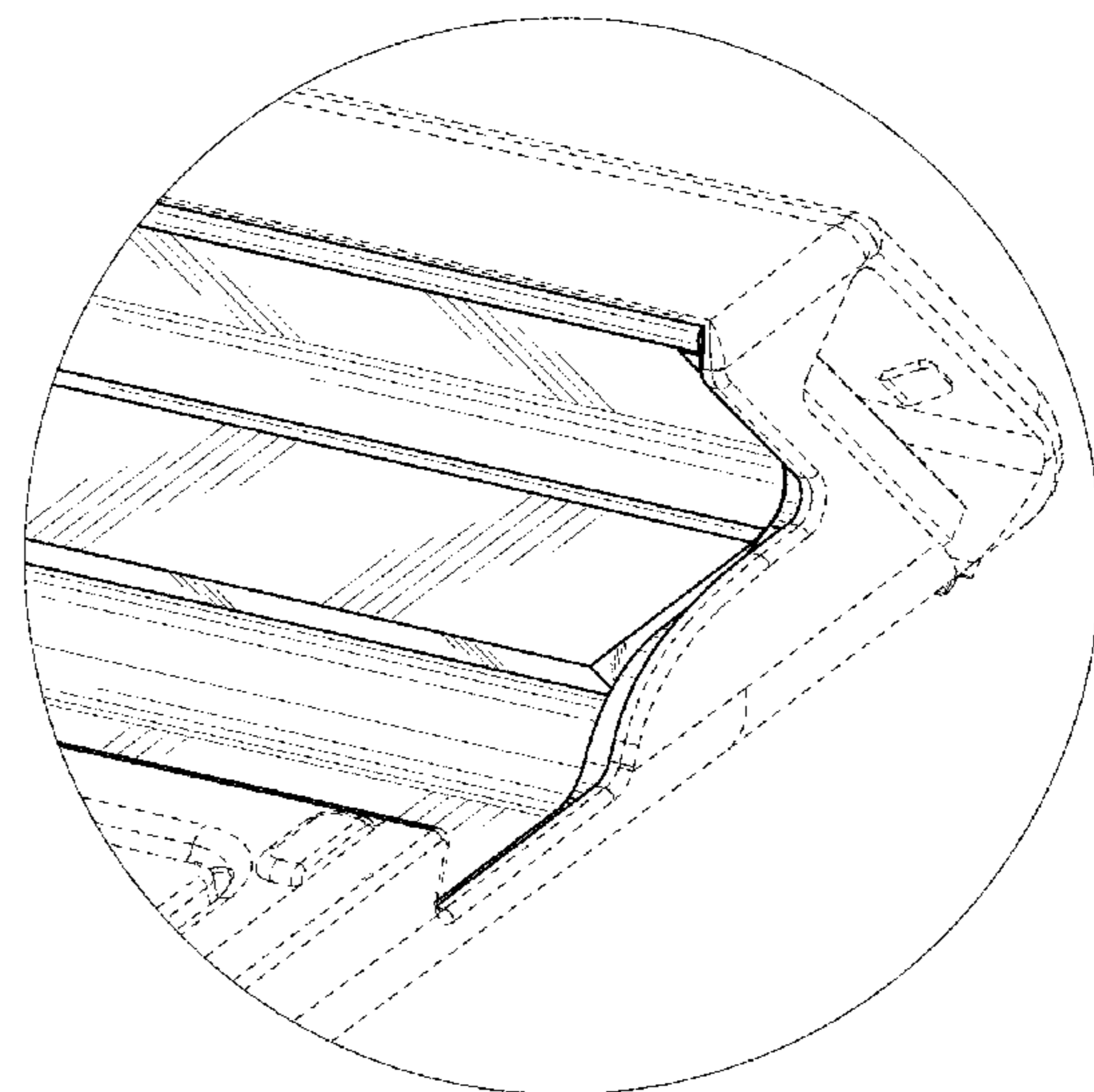


Fig.12

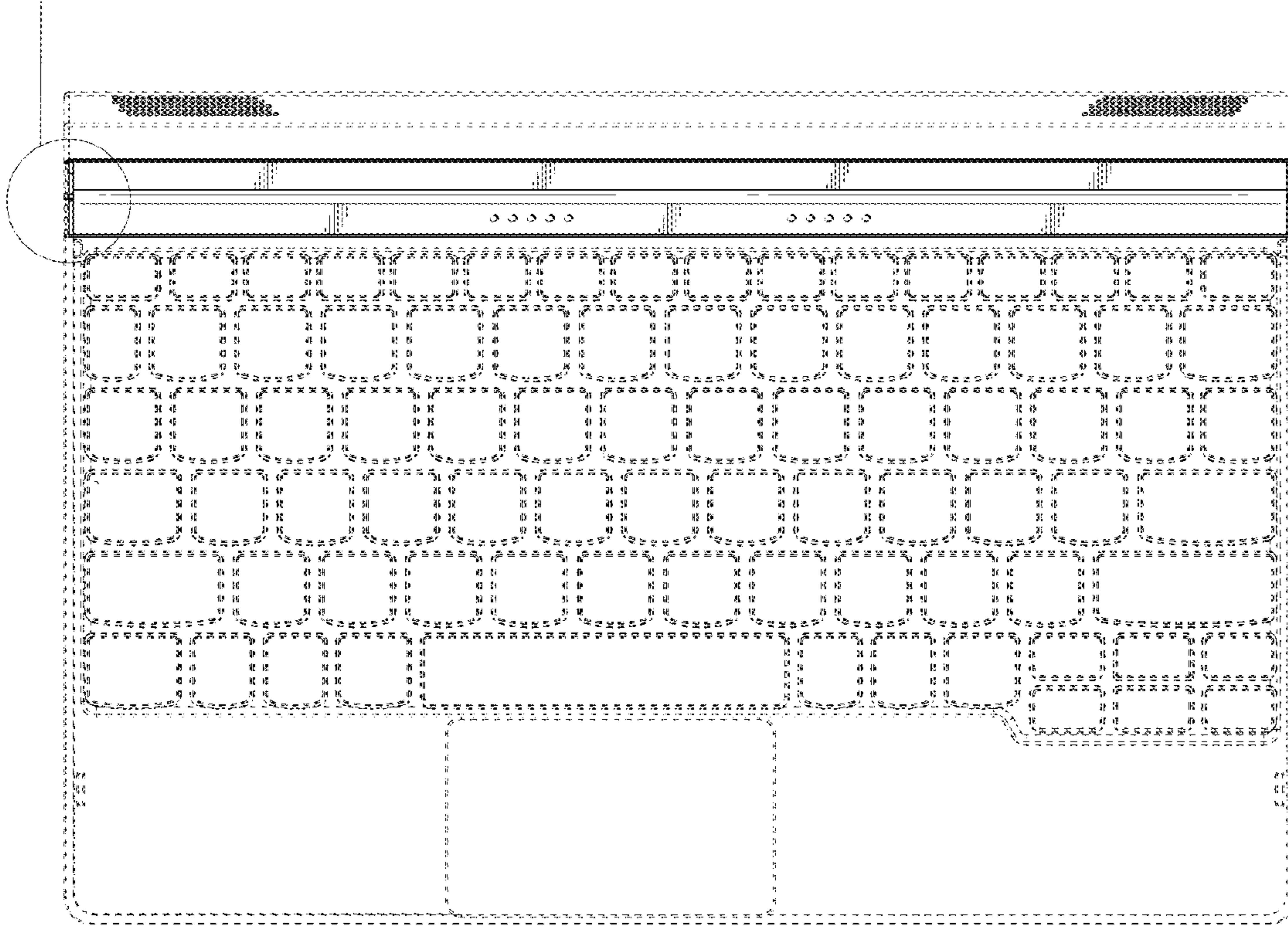
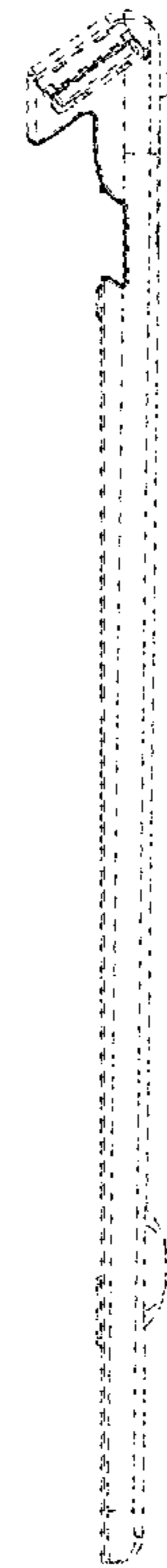
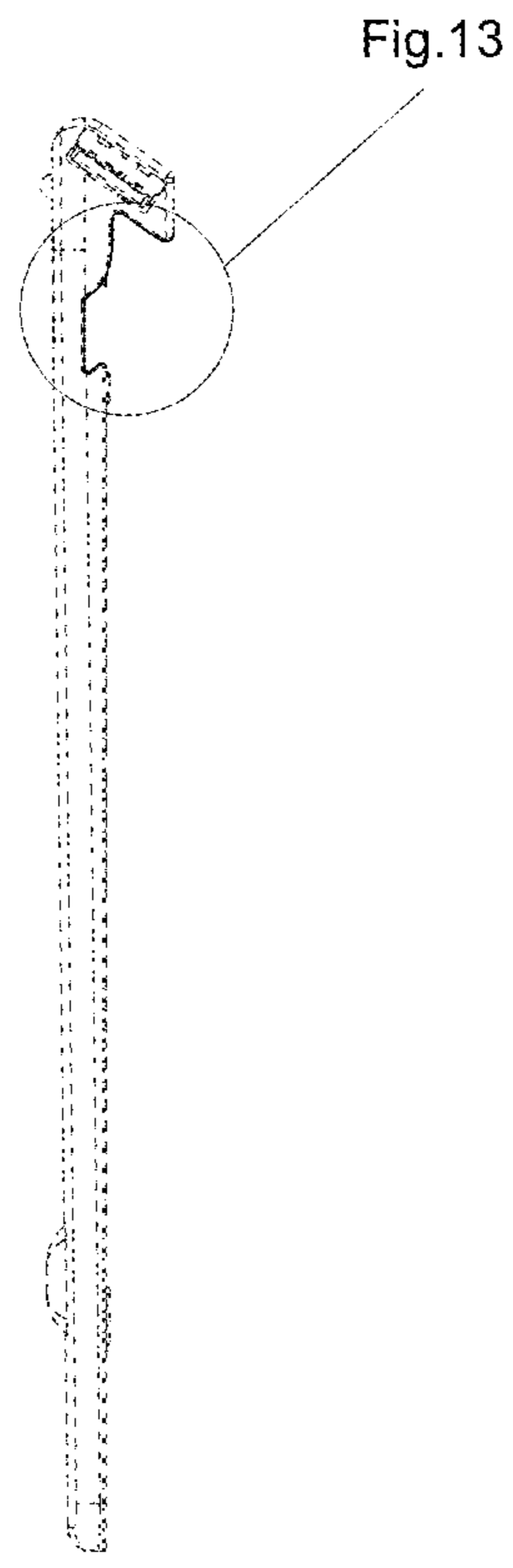


Fig.1



Fig.2



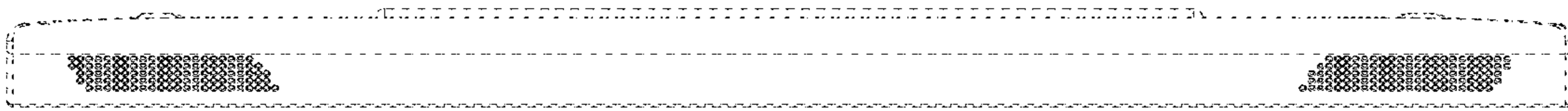


Fig.5

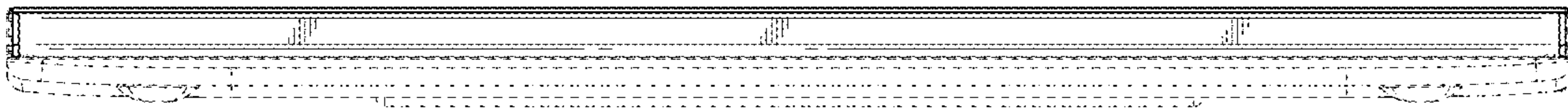


Fig.6

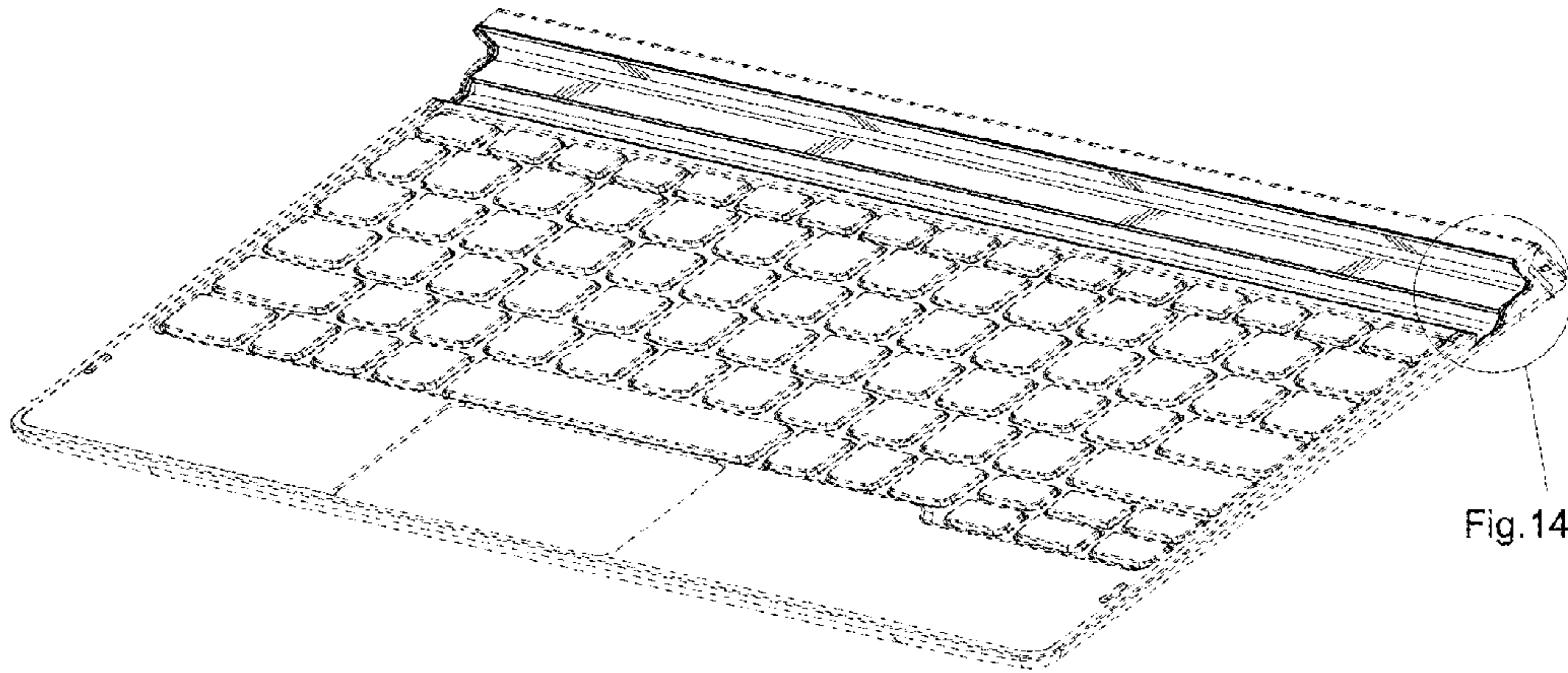


Fig.7

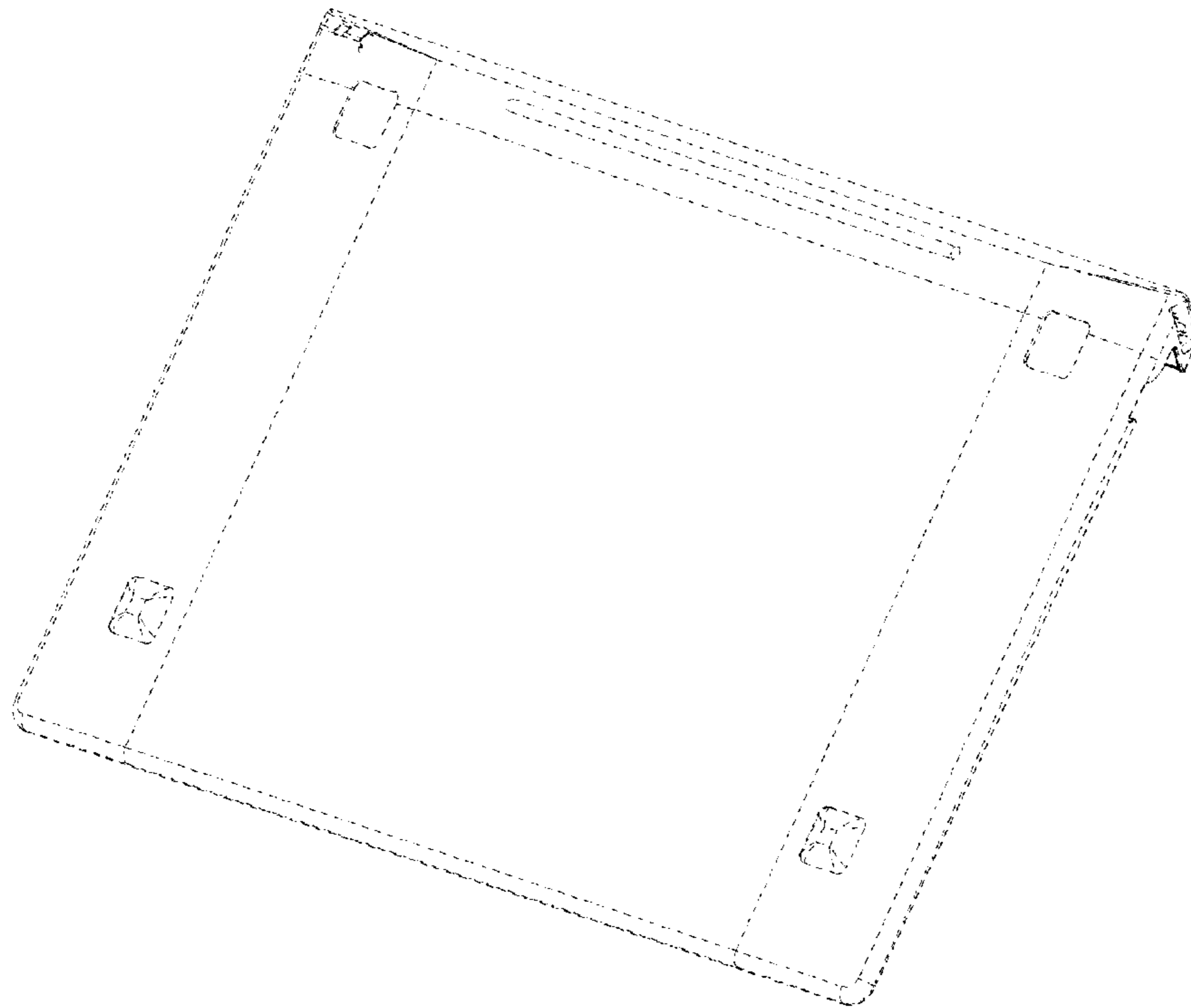


Fig.8

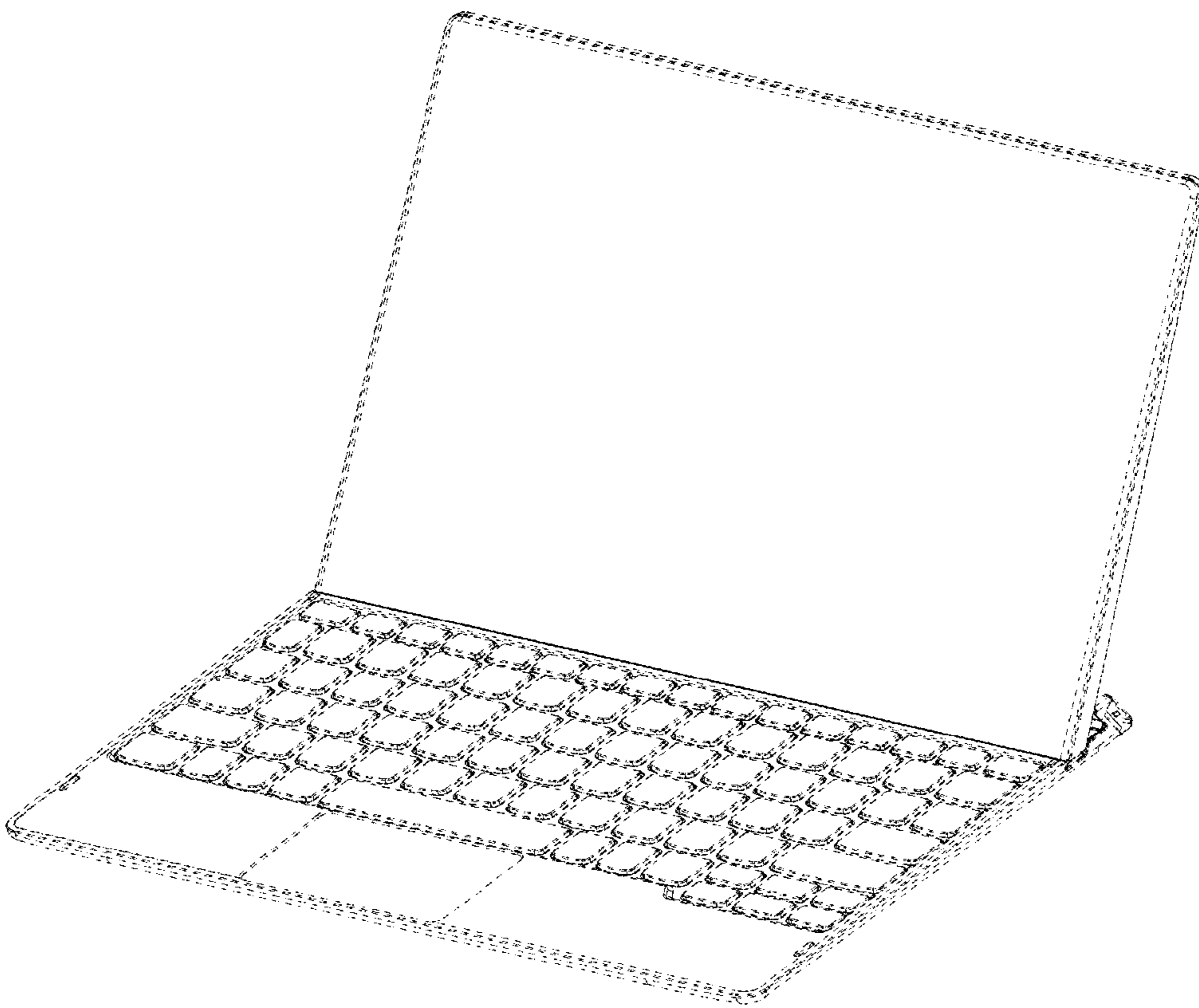


Fig.9

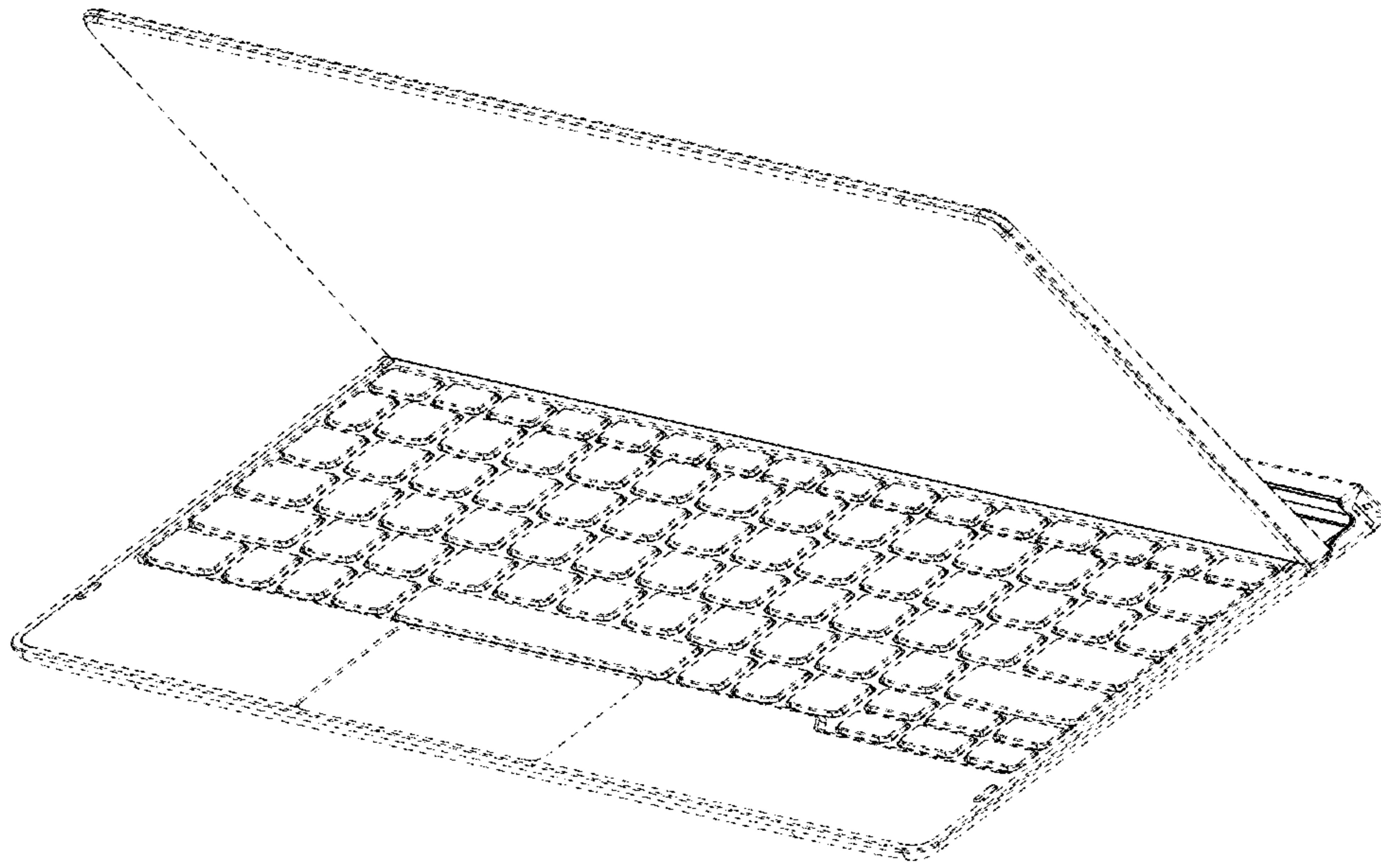


Fig.10

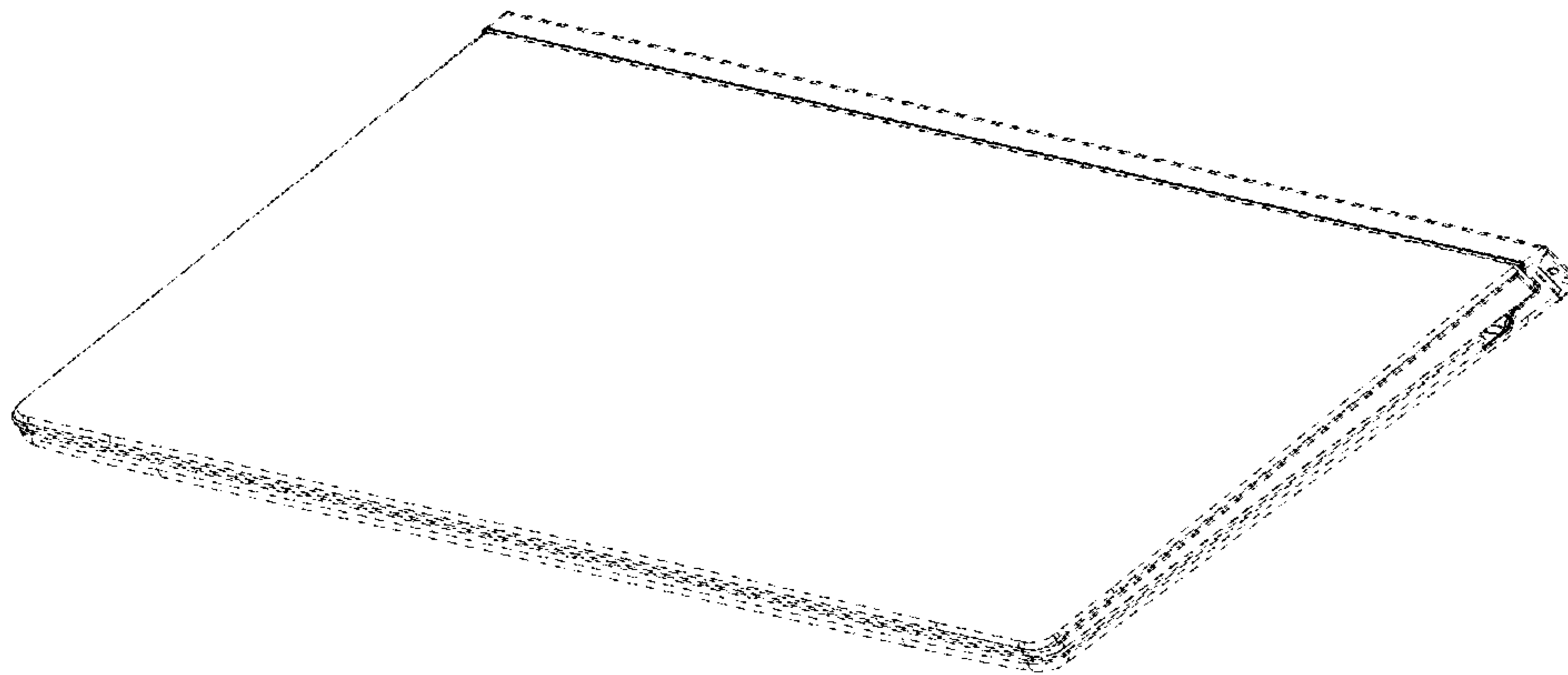


Fig.11

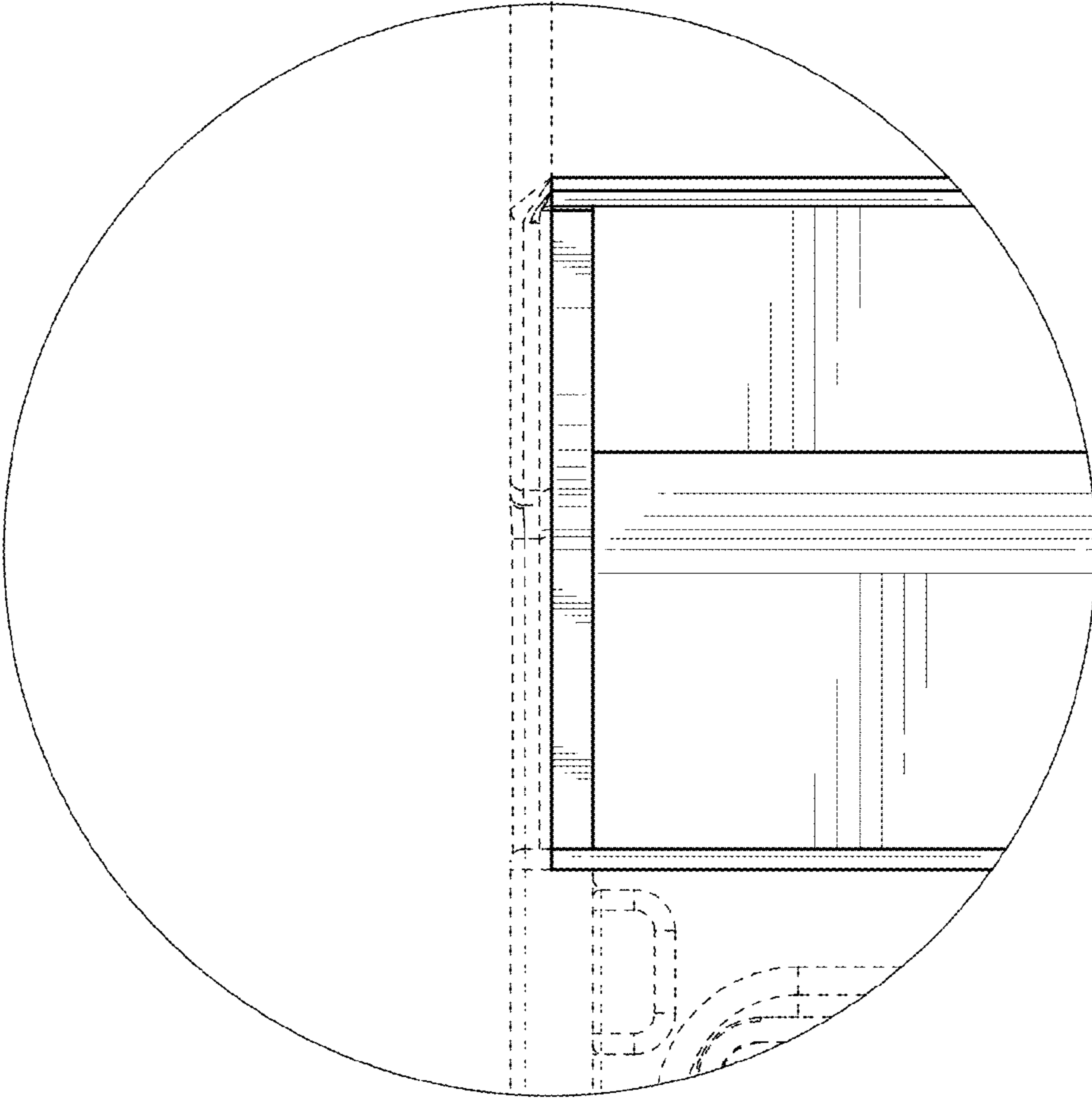


Fig.12

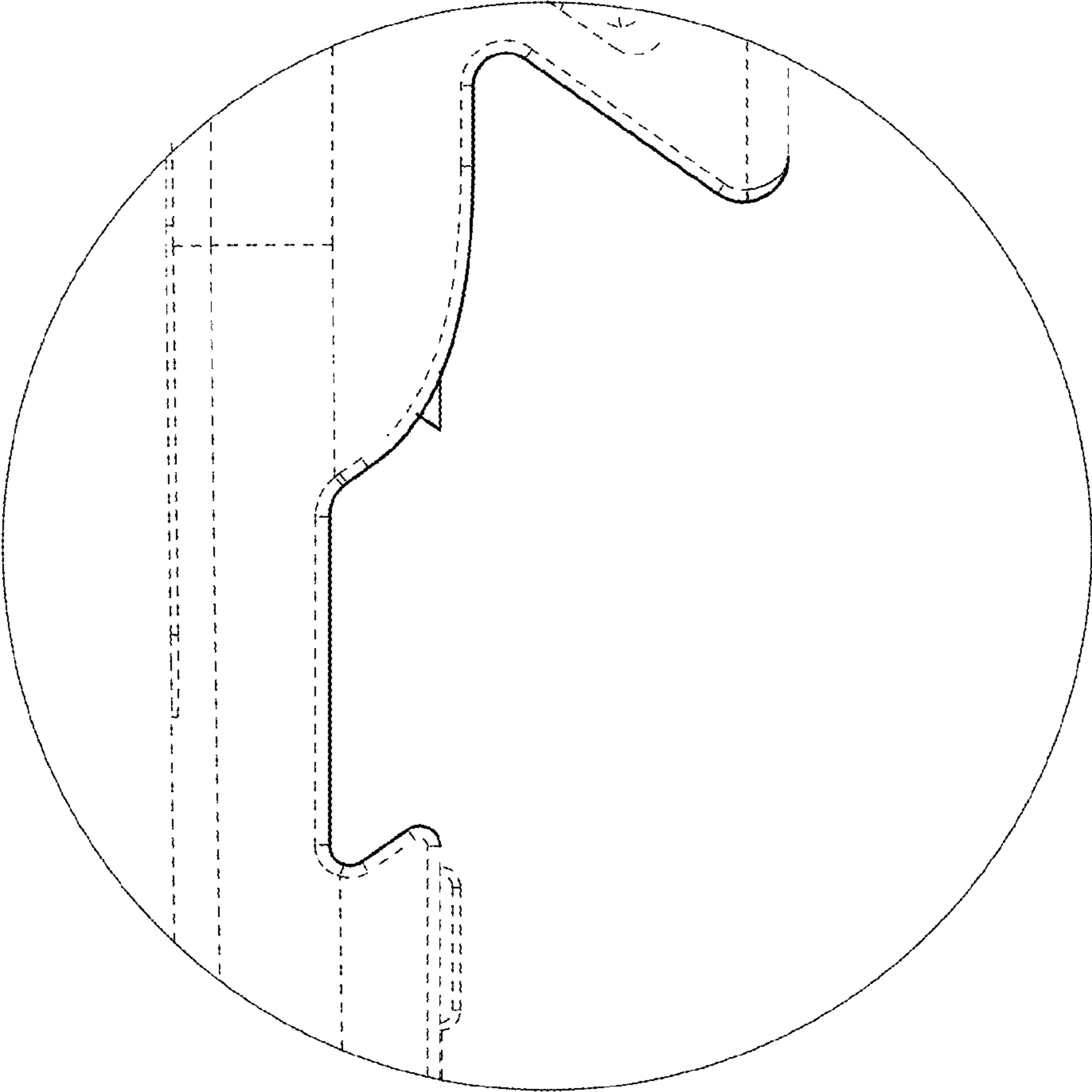


Fig.13

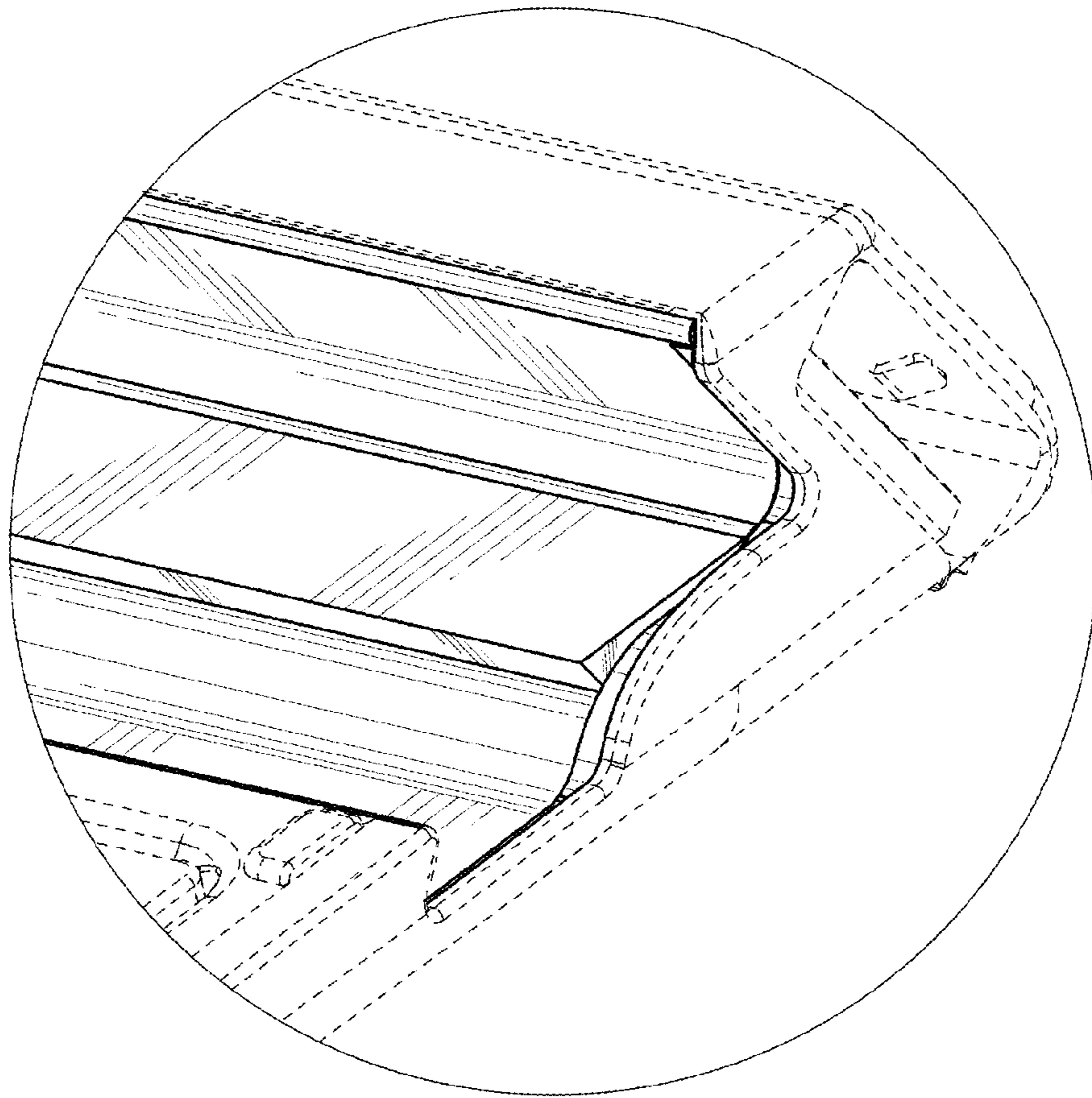


Fig.14