



US00D757011S

(12) **United States Design Patent**
Sakai

(10) **Patent No.:** **US D757,011 S**

(45) **Date of Patent:** **** May 24, 2016**

(54) **ATTACHMENT ADAPTER**

(71) Applicant: **OLYMPUS CORPORATION**,
Shibuya-ku, Tokyo (JP)

(72) Inventor: **Koji Sakai**, Hachioji (JP)

(73) Assignee: **OLYMPUS CORPORATION**, Tokyo
(JP)

(**) Term: **14 Years**

(21) Appl. No.: **29/524,691**

(22) Filed: **Apr. 22, 2015**

(30) **Foreign Application Priority Data**

Feb. 2, 2015 (JP) 2015-001968

(51) **LOC (10) Cl.** **14-02**

(52) **U.S. Cl.**
USPC **D14/433**

(58) **Field of Classification Search**
USPC D14/356, 432-434, 453, 454, 511,
D14/203.8, 209.1, 238.1, 240, 125;
439/638, 928, 105, 502; 710/303, 304;
361/679.41, 679.55, 679.56; D13/110,
D13/133, 146

CPC G06K 19/005; G06K 19/07732; H05K
5/0278; G09F 23/10

See application file for complete search history.

(56) **References Cited**

U.S. PATENT DOCUMENTS

D433,994 S *	11/2000	Jobs	D13/110
D475,417 S *	6/2003	Wintersteiger	D14/432
D476,376 S *	6/2003	Wintersteiger	D14/432
D587,715 S *	3/2009	Davis	D14/432
D601,150 S *	9/2009	Romero	D14/433
D678,285 S *	3/2013	Chen	D14/433
D709,504 S *	7/2014	Breines	D14/433
D737,825 S *	9/2015	Kumar	D14/433

* cited by examiner

Primary Examiner — Austin Murphy

(74) *Attorney, Agent, or Firm* — Holtz, Holtz & Volek PC

(57) **CLAIM**

The ornamental design for an attachment adapter, as shown.

DESCRIPTION

FIG. 1 is a front, top and left side perspective view of an attachment adapter showing my new design; FIG. 2 is a front elevational view thereof; FIG. 3 is a rear elevational view thereof; FIG. 4 is a top plan view thereof; FIG. 5 is a bottom plan view thereof; FIG. 6 is a right side elevational view thereof; FIG. 7 is a left side elevational view thereof; FIG. 8 is a front, top and left side perspective view showing a state where the attachment adapter is opened; and, FIG. 9 is a reference perspective view showing a usage state of the attachment adapter (the figure shows a state where a cylindrical-shaped interchangeable lens digital camera as one example shown by the broken lines and a smartphone as one example shown by the broken lines are connected to each other by using the attachment adapter shown by the solid lines).

1 Claim, 6 Drawing Sheets

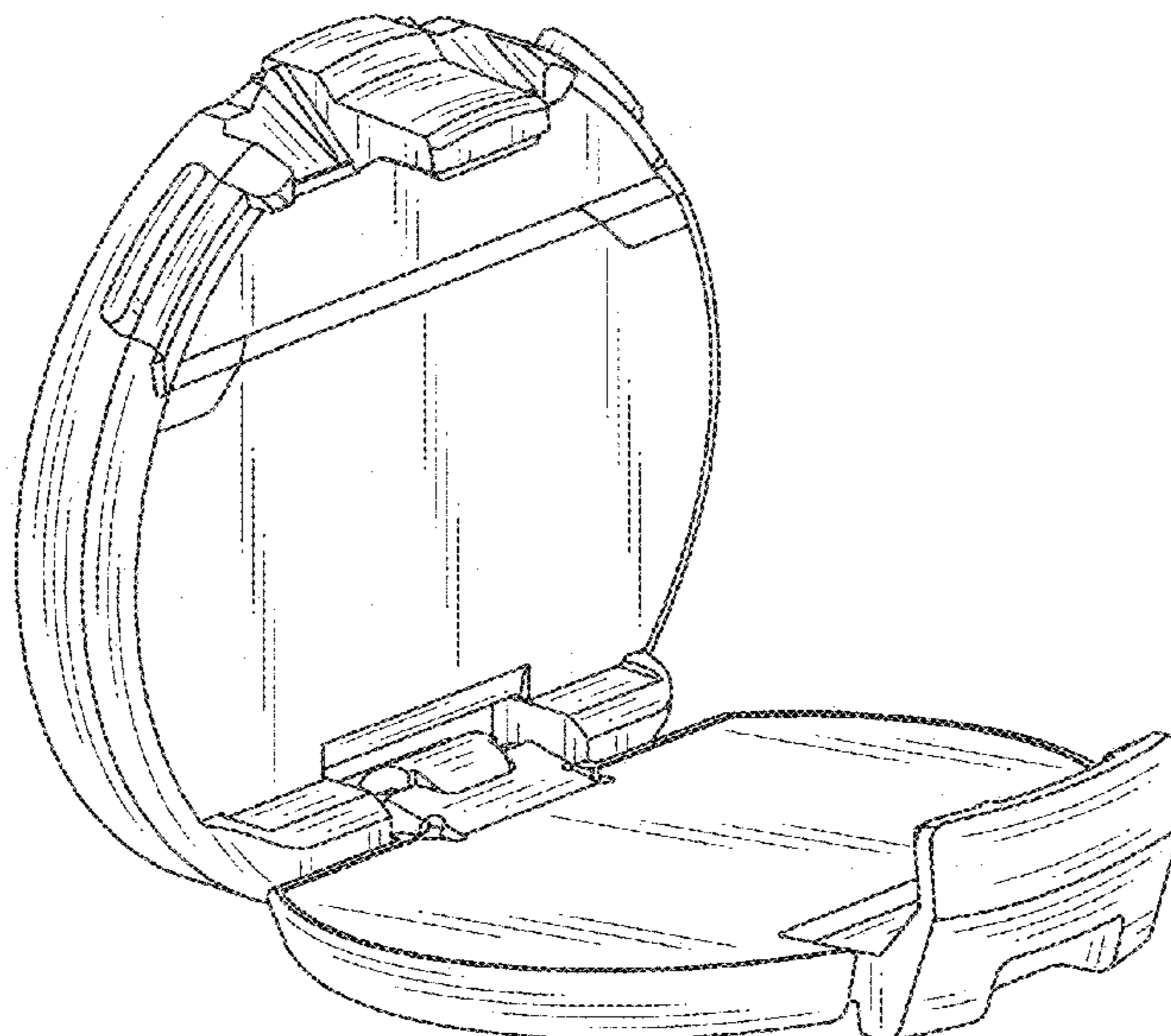


FIG. 1

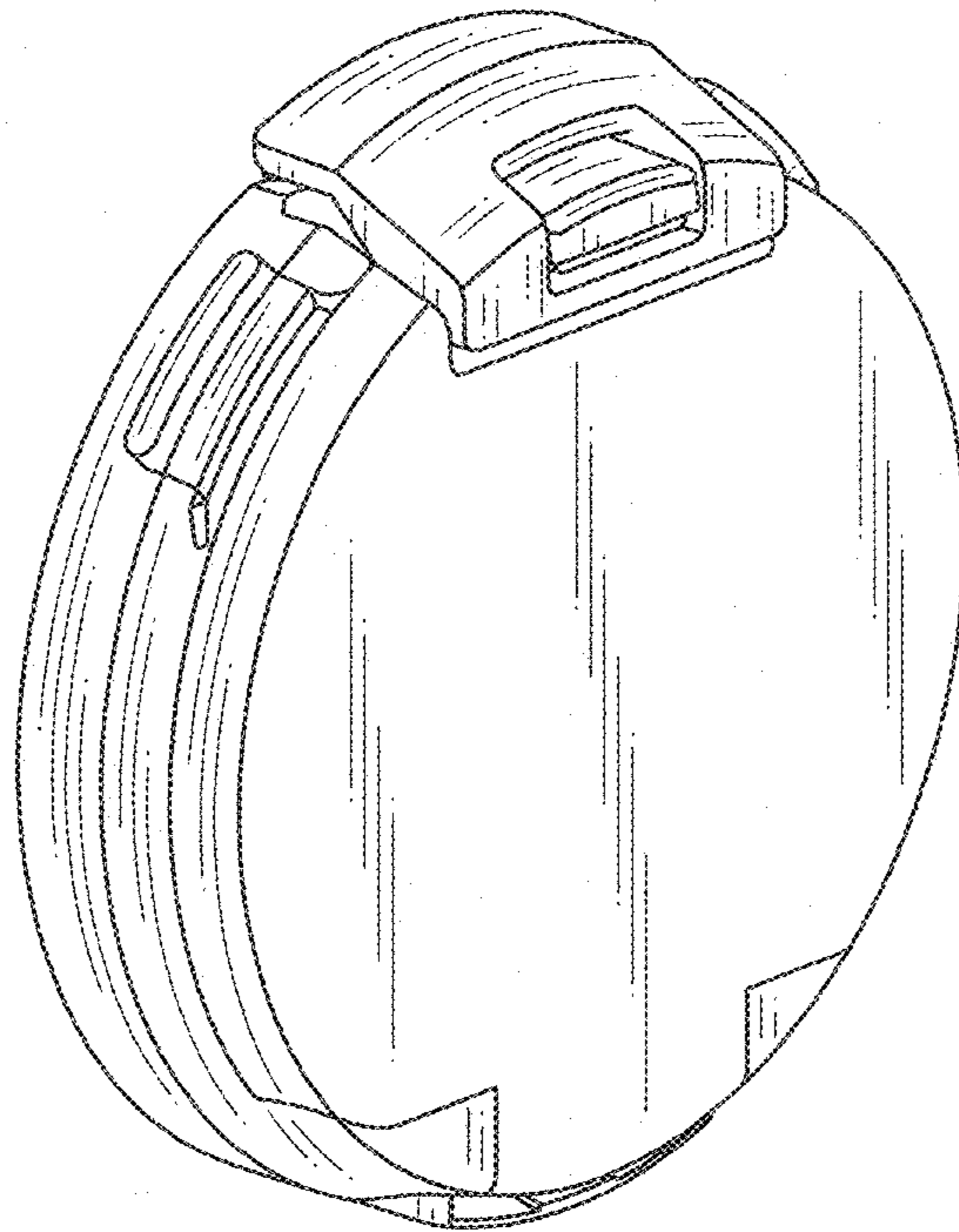


FIG.2

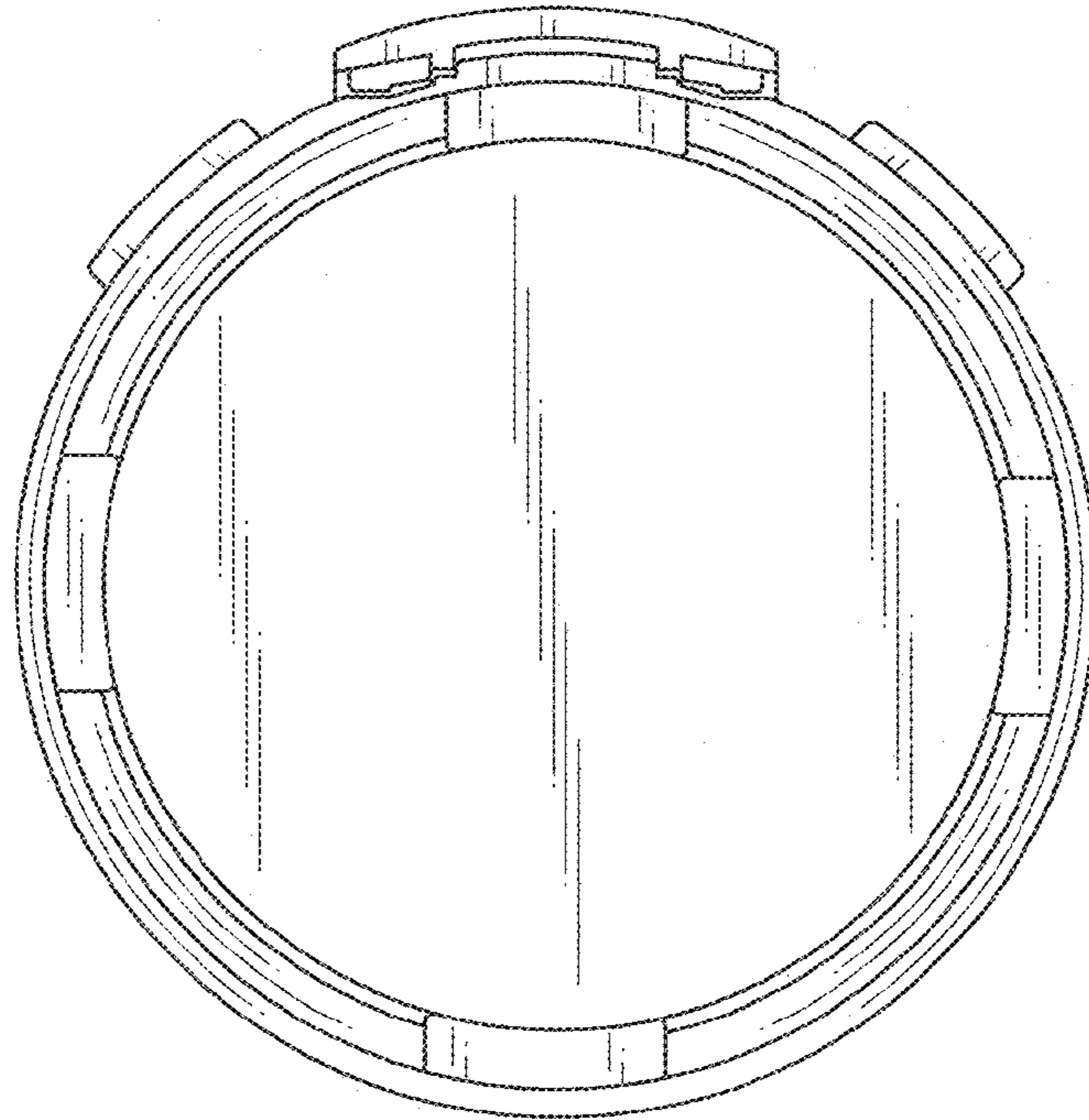


FIG.3

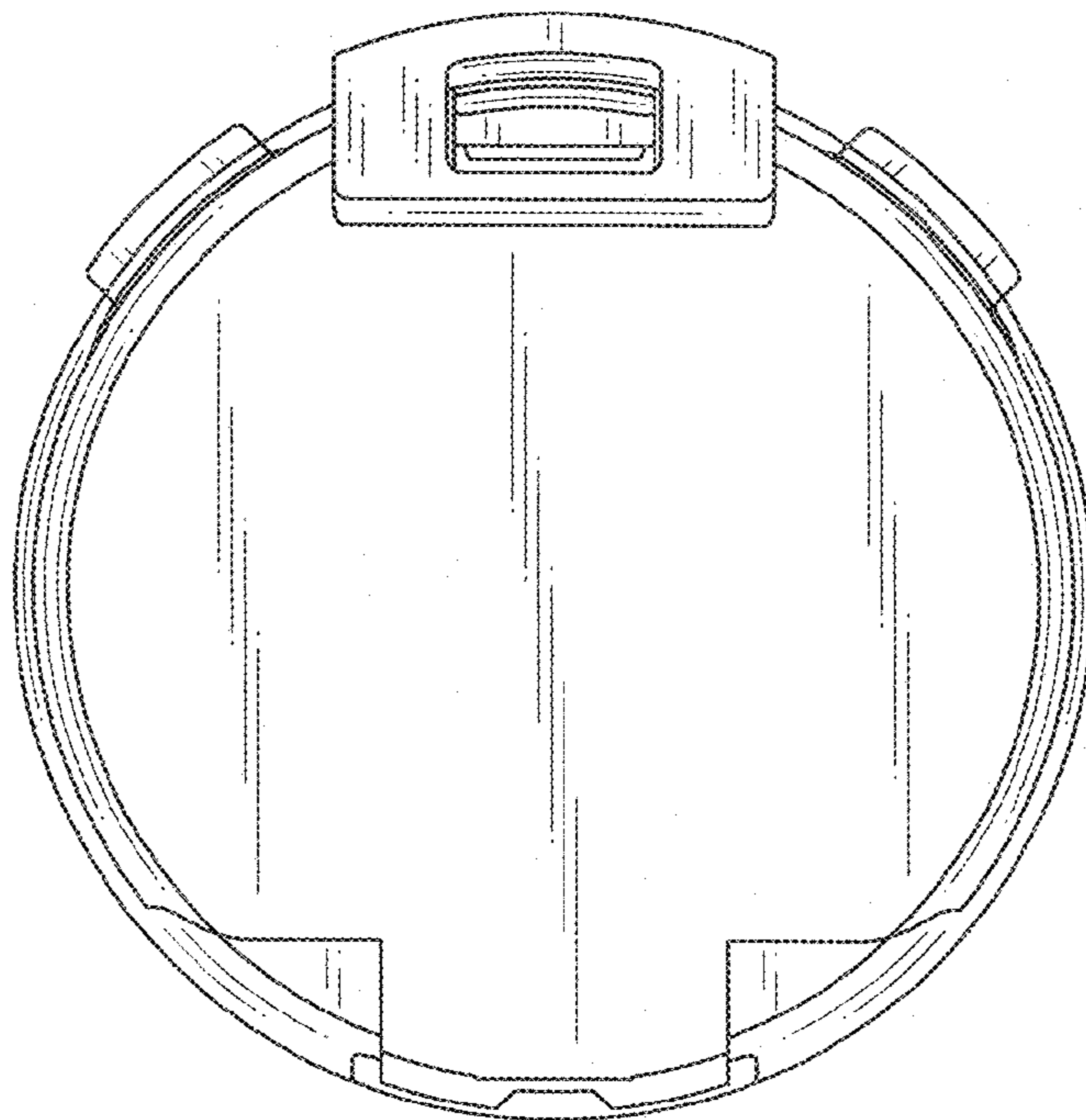


FIG.4

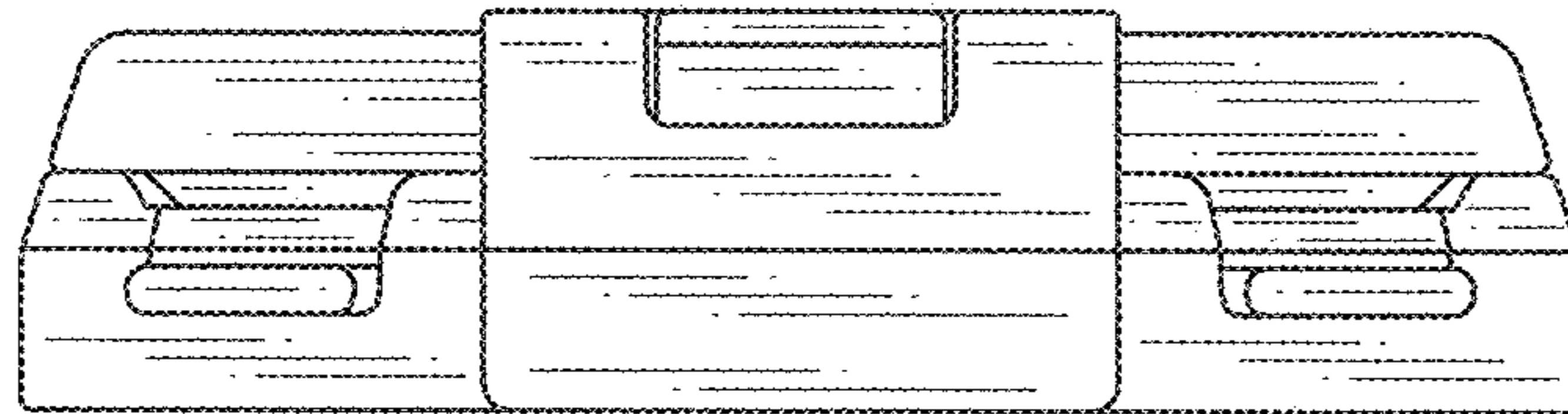


FIG.5

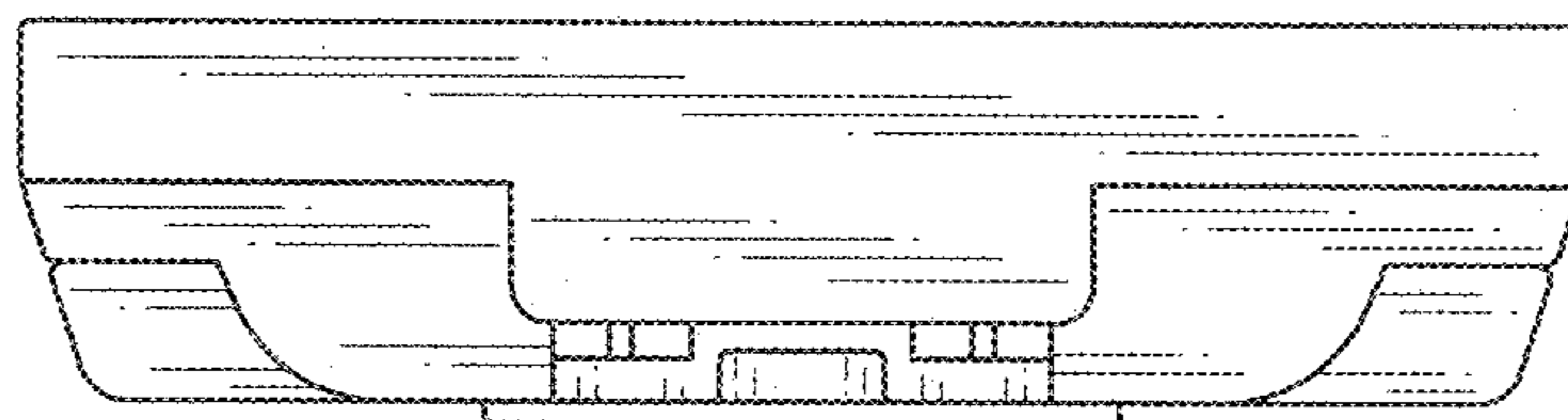


FIG.6

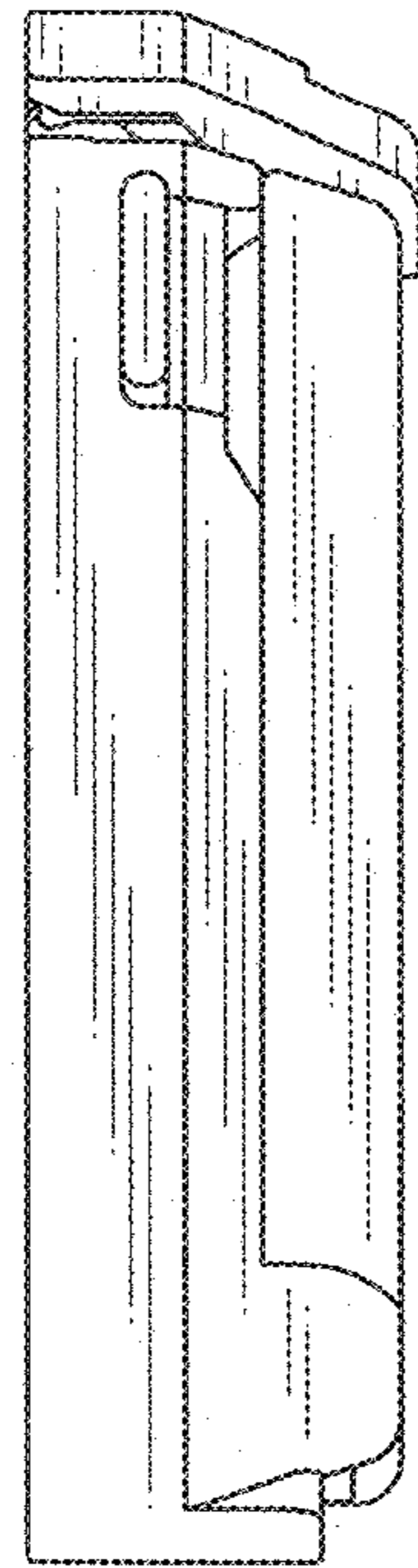


FIG.7

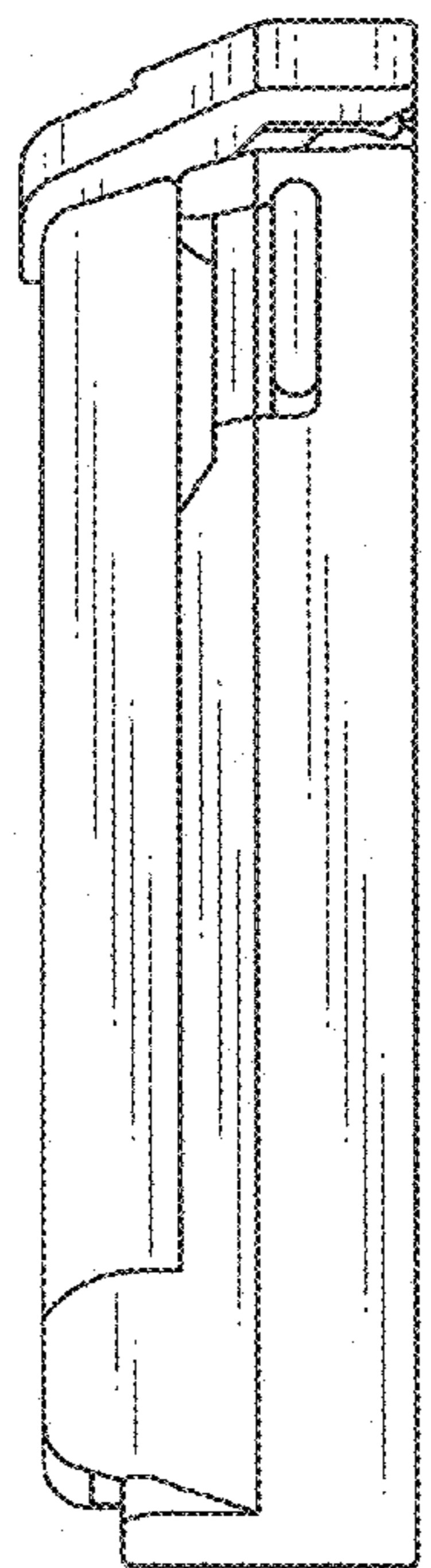


FIG.8

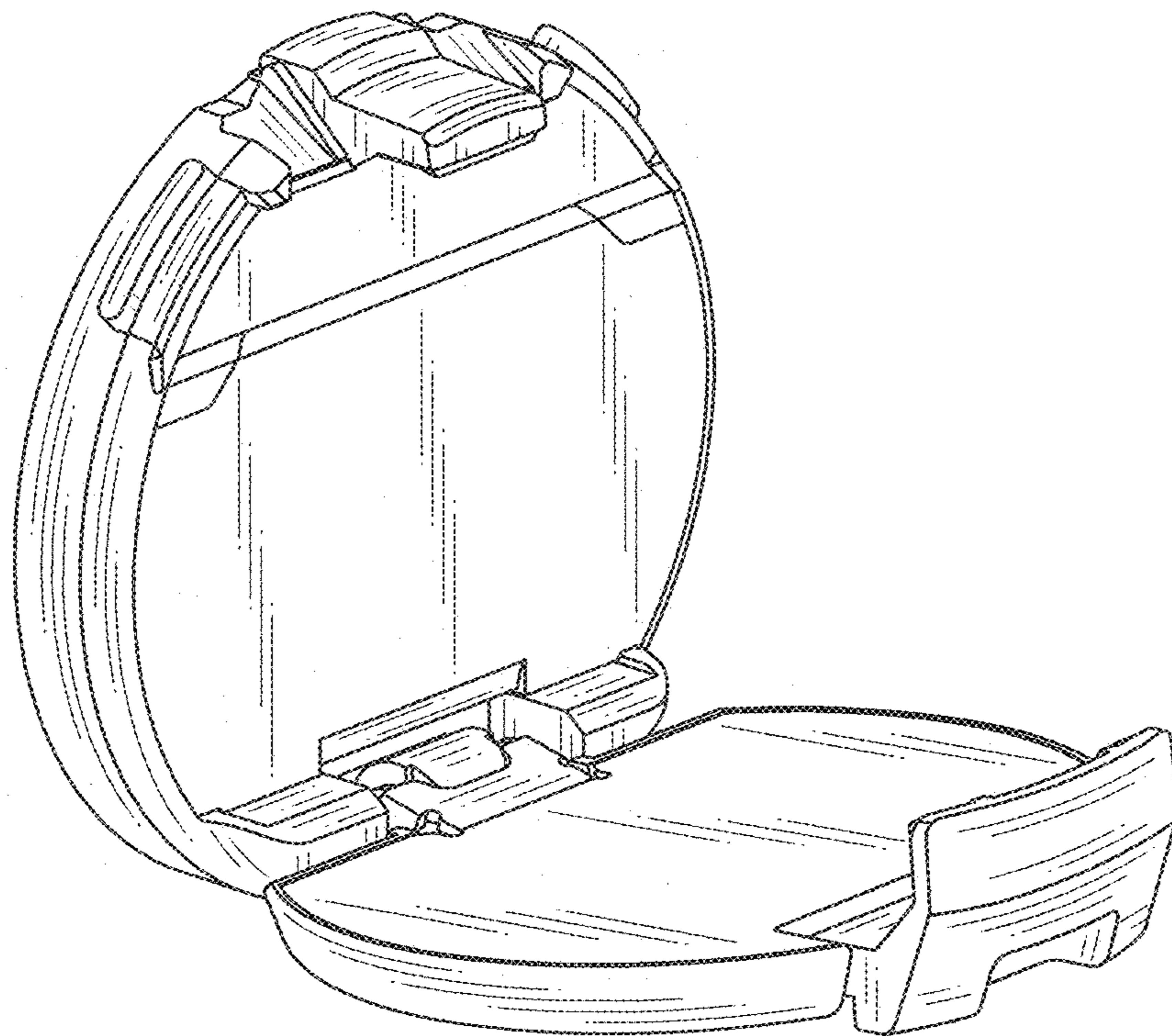


FIG. 9

