



US00D757009S

(12) **United States Design Patent**
Oberpriller et al.

(10) **Patent No.:** **US D757,009 S**

(45) **Date of Patent:** **** May 24, 2016**

(54) **IN-COUNTER BARCODE SCANNER**

(71) Applicant: **Hand Held Products, Inc.**, Fort Mill, SC (US)

(72) Inventors: **Mark Lee Oberpriller**, Atlanta, GA (US); **Timothy R. Fitch**, Syracuse, NY (US)

(73) Assignee: **Hand Held Products, Inc.**, Fort Mill, SC (US)

(**) Term: **15 Years**

(21) Appl. No.: **29/528,165**

(22) Filed: **May 27, 2015**

7/10811; G06K 7/10821; G06K 7/10831; G06K 7/10851; G06K 7/10861; G06K 7/10871; G06K 7/1096; G06K 7/1097; G06K 7/1098; G06K 7/12; G06K 7/14; G06K 7/1404; G06K 7/1408; G06K 7/1413; G06K 7/1417; G06K 7/1421; G06K 7/1426; G06K 7/143; G06K 7/1434; G06K 7/1439; G06K 7/1443; G06K 7/1447; G06K 7/1452; G06K 7/1456; G06K 7/146; G06K 7/1465; G06K 7/1469; G06K 7/1473; G06K 7/1478; G06K 7/1482; G06K 7/1486; G01G 19/4144; G01G 21/22; G01G 21/28; G01G 23/32; G01G 23/34; G01G 23/35; G01G 23/375; G01G 23/38; G01G 23/44; G07G 1/0063; G07G 1/0072; G07G 3/006; G02B 5/09

See application file for complete search history.

Related U.S. Application Data

(63) Continuation of application No. 29/494,725, filed on Jun. 24, 2014, now Pat. No. Des. 730,901.

(51) **LOC (10) Cl.** **14-02**

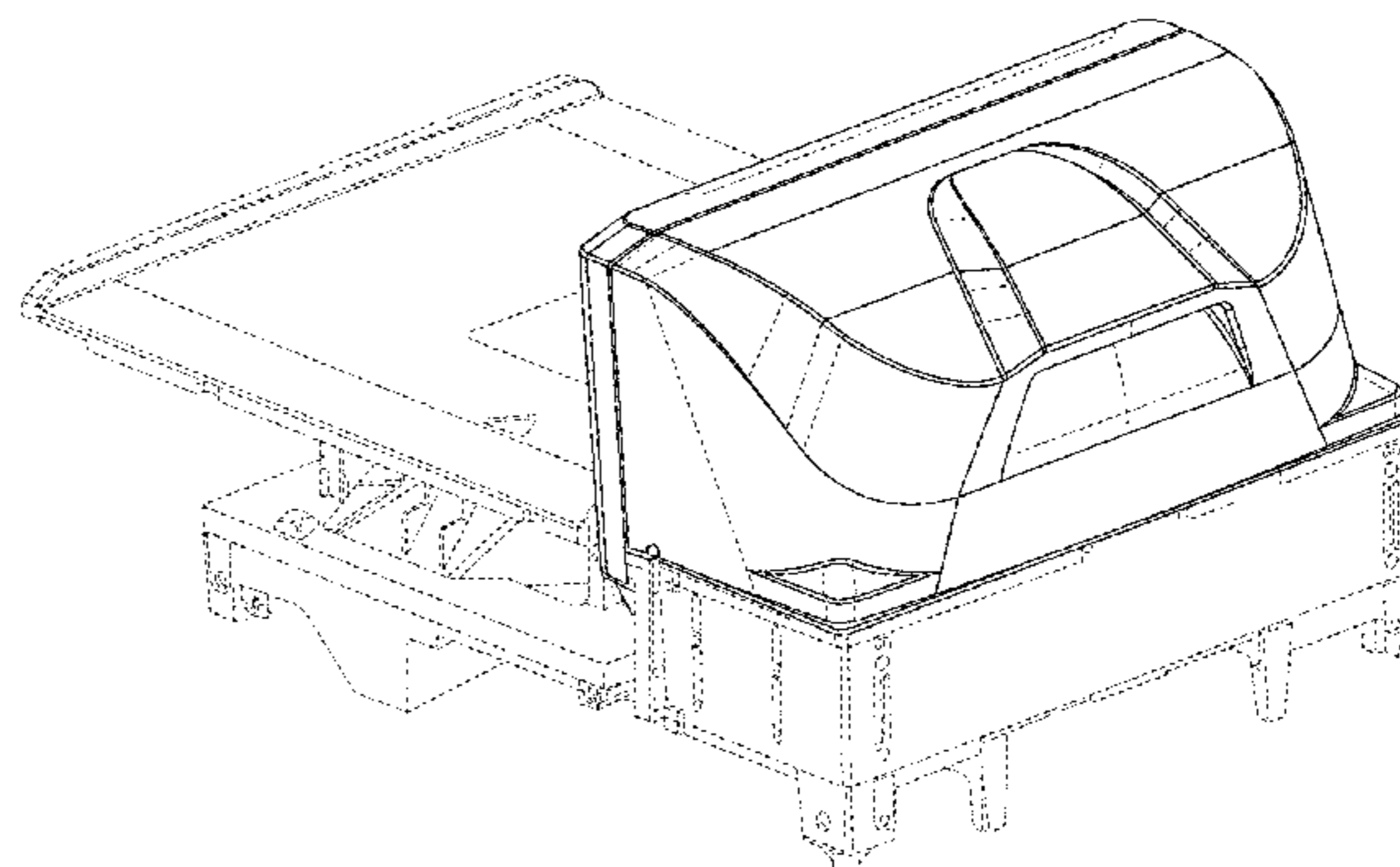
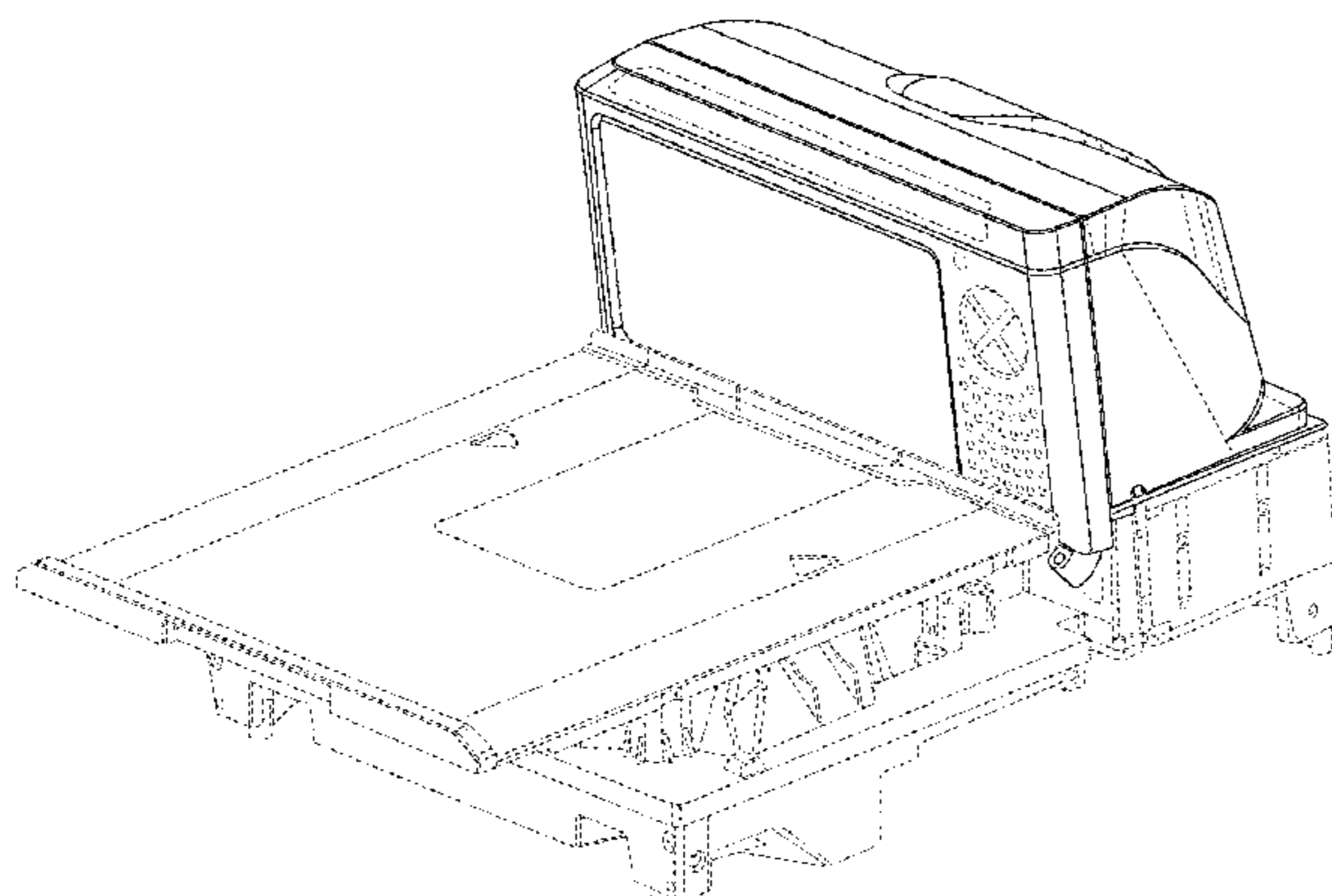
(52) **U.S. Cl.**
USPC **D14/420**; D14/421

(58) **Field of Classification Search**
USPC D14/420, 426-428, 447, 453, 385, 363, D14/358, 240, 356, 362, 365, 370, 383, 388, D14/432, 433, 435, 439, 442, 443; D18/4.6; D13/158, 162, 171, 147, 164; 235/440, 235/462.13, 439, 492, 380, 375, 486, 382, 235/451, 487, 381, 441, 472.01-472.03, 235/462.45, 462.47, 462.43; 340/572.7, 340/573.3, 572.8, 572.1, 572.4, 10.1, 5.86; 455/41.1; 700/225; 710/2, 301, 64; 336/221, 232; 439/159; 361/752, 361/679.31, 679.32, 679.38, 679.45, 800; 358/473; 379/436, 438; 312/223.1
CPC G08B 13/1427; G08B 13/1472; G08B 13/1481; G08B 13/194; G08B 13/246; G08B 13/2462; G08B 13/2465; A47F 9/004; A47F 9/046; A47F 9/047; A47F 9/048; A47F 10/02; A47F 2010/005; A47F 2010/025; G06K 7/10693; G06K 7/10712; G06K 7/10722; G06K 7/10792; G06K 7/10801; G06K

(56) **References Cited**

U.S. PATENT DOCUMENTS

4,652,732 A	3/1987	Nickl	
4,881,606 A	11/1989	Halfon et al.	
5,059,951 A	10/1991	Kaltner et al.	
5,073,702 A	12/1991	Schuhmacher	
5,139,100 A	8/1992	Brauneis	
5,174,399 A	12/1992	Brauneis	
5,206,491 A	4/1993	Katoh et al.	
5,229,588 A	7/1993	Detwiler et al.	
5,293,033 A	3/1994	Yamashita	
5,347,593 A	9/1994	Klinefelter	
D351,144 S	10/1994	Fishbine et al.	
5,410,108 A	4/1995	Williams et al.	
5,531,293 A	7/1996	Nahar	
5,585,837 A	12/1996	Nixon	
5,588,621 A	12/1996	Collins et al.	
D377,342 S	1/1997	Lin	
5,635,906 A	6/1997	Joseph	
5,747,744 A	5/1998	Kraft et al.	
5,773,767 A	6/1998	Collins et al.	
5,834,708 A	11/1998	Svetal et al.	
5,869,827 A	2/1999	Rando	
5,886,336 A	3/1999	Tang et al.	
5,917,412 A	6/1999	Martin	
5,936,218 A *	8/1999	Ohkawa G06K 7/10623 235/462.01
6,056,087 A	5/2000	Addy et al.	
6,085,979 A	7/2000	Maddox	
6,145,629 A	11/2000	Addy	
6,155,489 A	12/2000	Collins et al.	



US D757,009 S

6,189,795	B1	2/2001	Ohkawa et al.		D730,901	S *	6/2015	Oberpriller	D14/420
6,213,395	B1	4/2001	Dejaeger et al.		9,122,939	B2 *	9/2015	Gao	G06K 7/10792
6,220,513	B1 *	4/2001	Blanford	G06K 7/10613	2001/0019104	A1 *	9/2001	Ohkawa	G06K 7/10693
				235/462.01					250/234
D442,596	S	5/2001	Lin et al.		2002/0038820	A1	4/2002	Check et al.	
6,281,796	B1	8/2001	Canipe et al.		2002/0043564	A1 *	4/2002	Ohkawa	G06K 7/10574
6,296,184	B1	10/2001	Dejaeger et al.						235/462.4
6,330,973	B1	12/2001	Bridgellall		2002/0056750	A1	5/2002	Kato et al.	
6,354,497	B1	3/2002	Lippert et al.		2002/0074402	A1	6/2002	Latimer et al.	
6,421,133	B2	7/2002	Kasai et al.		2002/0100805	A1	8/2002	Detwiler	
D464,969	S	10/2002	Byun et al.		2002/0139856	A1 *	10/2002	Barkan	G06K 7/10574
6,502,753	B2	1/2003	Detwiler						235/462.4
6,517,000	B1	2/2003	McAllister et al.		2002/0162887	A1 *	11/2002	Detwiler	G06K 7/1096
6,547,040	B2	4/2003	Goodwin						235/462.4
6,631,844	B1 *	10/2003	Ohkawa	G06K 7/10574	2002/0179715	A1	12/2002	Kawai	
				235/462.38	2003/0010824	A1 *	1/2003	McQueen	G06K 7/10851
									235/462.14
6,752,837	B2	6/2004	Karp						
6,758,402	B1	7/2004	Check et al.		2003/0024982	A1	2/2003	Bellis et al.	
6,779,722	B1	8/2004	Mason		2003/0075602	A1	4/2003	Wike et al.	
6,788,205	B1	9/2004	Mason et al.		2003/0121982	A1	7/2003	Charpentier	
6,794,586	B1	9/2004	Mason		2003/0146280	A1	8/2003	Acosta et al.	
6,814,292	B2	11/2004	Good		2003/0197611	A1	10/2003	Clifford et al.	
6,830,186	B1	12/2004	Nahar		2003/0209600	A1	11/2003	Collins et al.	
6,866,197	B1	3/2005	Detwiler et al.		2004/0000591	A1	1/2004	Collins et al.	
6,942,145	B1	9/2005	Collins et al.		2004/0065740	A1	4/2004	Mergenthaler et al.	
6,974,083	B1	12/2005	Kahn et al.		2005/0098634	A1	5/2005	Good	
7,021,544	B1	4/2006	Hammer		2005/0259746	A1	11/2005	Shinde et al.	
7,083,102	B2	8/2006	Good et al.		2006/0022051	A1	2/2006	Patel et al.	
7,086,597	B2	8/2006	Good		2006/0113393	A1 *	6/2006	Herwig	G06K 7/10811
7,088,248	B2	8/2006	Forster						235/462.37
7,247,802	B1	7/2007	Minter		2006/0113394	A1 *	6/2006	Hammer	G02B 5/09
D552,741	S	10/2007	Zhou et al.						235/462.39
7,296,748	B2	11/2007	Good		2006/0118628	A1	6/2006	He et al.	
D560,220	S	1/2008	Barron		2006/0208894	A1 *	9/2006	Friend	G06K 7/0008
RE40,071	E	2/2008	Svetal et al.						340/572.3
7,341,185	B1	3/2008	Arrington et al.		2007/0035718	A1 *	2/2007	Haddad	G06K 9/00033
7,344,080	B2	3/2008	Vinogradov et al.						356/71
7,389,932	B1	6/2008	Roquemore et al.		2007/0095919	A1 *	5/2007	Detwiler	G02B 26/12
7,401,732	B2	7/2008	Haddad						235/462.39
7,482,542	B2	1/2009	Galtier		2007/0102513	A1	5/2007	Scheb	
7,619,527	B2	11/2009	Friend et al.		2007/0221733	A1	9/2007	Roquemore	
7,823,787	B2	11/2010	He et al.		2007/0290043	A1	12/2007	Russell et al.	
7,866,558	B2	1/2011	Good		2008/0135619	A1 *	6/2008	Kwan	G06K 7/1096
7,900,840	B2 *	3/2011	Herwig	G06K 7/10722					235/462.39
				235/462.41	2008/0141755	A1	6/2008	Edwards	
7,909,248	B1	3/2011	Goncalves		2008/0179402	A1	7/2008	Barkan et al.	
7,954,719	B2	6/2011	Zhu et al.		2008/0255790	A1	10/2008	Roquemore et al.	
8,002,184	B1	8/2011	Drzymala et al.		2008/0257963	A1 *	10/2008	Gregerson	G06K 7/10574
8,033,461	B2	10/2011	Barron et al.						235/462.43
8,072,332	B2	12/2011	Forster		2008/0283611	A1	11/2008	Knowles et al.	
8,157,174	B2	4/2012	Kotlarsky et al.		2008/0296382	A1 *	12/2008	Connell, II	G06K 7/10554
8,356,749	B2	1/2013	Olmstead et al.						235/462.01
8,360,320	B2 *	1/2013	Collins	G06K 7/10	2008/0296387	A1	12/2008	Sanders et al.	
				186/59	2009/0020611	A1	1/2009	Sackett et al.	
8,365,992	B2	2/2013	Gregerson et al.		2009/0020612	A1	1/2009	Drzymala et al.	
8,365,998	B1	2/2013	Gregerson et al.		2009/0026269	A1	1/2009	Connell et al.	
8,381,979	B2	2/2013	Franz		2009/0026271	A1	1/2009	Drzymala et al.	
8,387,882	B2	3/2013	Kearney et al.		2009/0039166	A1 *	2/2009	Herwig	G06K 7/10544
8,430,318	B2	4/2013	McQueen et al.						235/462.42
8,453,933	B1 *	6/2013	Pang	G06K 7/10554	2009/0078775	A1	3/2009	Giebel et al.	
				235/462.25	2009/0084854	A1	4/2009	Carlson et al.	
8,469,272	B2	6/2013	Kearney		2009/0101717	A1	4/2009	Claessen	
8,474,712	B2	7/2013	Kearney et al.		2009/0159683	A1	6/2009	Roquemore et al.	
8,537,005	B2	9/2013	Barkan et al.		2009/0194595	A1 *	8/2009	Gregerson	G06K 7/10722
8,561,902	B2	10/2013	McQueen et al.						235/462.43
8,561,905	B2	10/2013	Edmonds et al.		2009/0206161	A1	8/2009	Olmstead	
8,740,084	B2 *	6/2014	Brock	G06K 7/10544	2009/0272810	A1	11/2009	Barkan	
				235/462.3	2010/0019042	A1	1/2010	Barkan	
D708,183	S	7/2014	Thompson et al.		2010/0019043	A1	1/2010	Sackett et al.	
D709,888	S	7/2014	Kaminsky et al.		2010/0102129	A1	4/2010	Drzymala et al.	
8,789,757	B2	7/2014	Barten		2010/0116887	A1	5/2010	Barkan et al.	
8,870,073	B2 *	10/2014	Detwiler	G07G 1/0045	2010/0139989	A1	6/2010	Atwater et al.	
				235/383	2010/0147953	A1	6/2010	Barkan	
8,878,674	B2	11/2014	Claessen		2010/0155484	A1	6/2010	Gregerson	
8,939,371	B2 *	1/2015	Barkan	G06K 7/10722	2010/0163622	A1	7/2010	Olmstead	
				235/454	2010/0163626	A1	7/2010	Olmstead	
D723,560	S	3/2015	Oberpriller		2010/0163627	A1	7/2010	Olmstead	
9,018,545	B2 *	4/2015	Wittenberg	G01G 19/4144	2010/0163628	A1	7/2010	Olmstead	
				177/126	2010/0200656	A1	8/2010	Marshall et al.	

2010/0252633	A1	10/2010	Barkan et al.	
2010/0252635	A1	10/2010	Drzymala et al.	
2011/0073652	A1	3/2011	Vinogradov et al.	
2011/0089240	A1	4/2011	Vinogradov et al.	
2011/0127333	A1	6/2011	Veksland et al.	
2011/0132985	A1	6/2011	McQueen et al.	
2011/0232972	A1	9/2011	McQueen et al.	
2011/0309147	A1	12/2011	Barkan et al.	
2012/0007738	A1*	1/2012	Barkan	G06K 7/10544 340/540
2012/0085825	A1	4/2012	Good	
2012/0097745	A1	4/2012	Brock	
2012/0118962	A1	5/2012	Barkan et al.	
2012/0145791	A1	6/2012	Gregerson	
2012/0145792	A1	6/2012	Barron et al.	
2012/0193416	A1	8/2012	Smith et al.	
2012/0228381	A1*	9/2012	Drzymala	G06K 7/10544 235/440
2013/0026233	A1	1/2013	Chen et al.	
2013/0048732	A1*	2/2013	Gregerson	G07G 1/0018 235/462.14
2013/0056285	A1	3/2013	Meagher	
2013/0075471	A1	3/2013	Collins	
2013/0075472	A1	3/2013	Collins et al.	
2013/0075474	A1*	3/2013	Vinogradov	G06K 7/10742 235/462.42
2013/0082110	A1	4/2013	Gregerson	
2013/0087617	A1*	4/2013	Drzymala	G06K 7/1096 235/454
2013/0134220	A1*	5/2013	Chen	G06K 7/10732 235/455
2013/0146667	A1	6/2013	Pang	
2013/0175343	A1*	7/2013	Good	G06K 7/10564 235/462.32
2013/0256418	A1	10/2013	Havens et al.	
2013/0327829	A1	12/2013	Thompson et al.	
2013/0327835	A1	12/2013	Thompson et al.	
2014/0027518	A1*	1/2014	Edmonds	G06K 7/10554 235/462.14
2014/0306009	A1*	10/2014	LaLinde	G07G 1/0018 235/440
2015/0060552	A1*	3/2015	Rambler	G06K 7/10821 235/470
2015/0278566	A1*	10/2015	Hammer	G06K 7/10574 235/462.32

OTHER PUBLICATIONS

Design U.S. Appl. No. 29/459,823, not yet published, filed Jul. 3, 2013, 13 pages.

Chinese Design Application Serial No. 201430000680.8, Filed Jan. 2, 2014, 13 pages; Counterpart to Design U.S. Appl. No. 29/459,823.

* cited by examiner

Primary Examiner — Susan Moon Lee

(74) *Attorney, Agent, or Firm* — Additon, Higgins & Pendleton, P.A.

(57) **CLAIM**

The ornamental design for an in-counter barcode scanner, as shown and described.

DESCRIPTION

FIG. 1 is a perspective view of an in-counter barcode scanner; FIG. 2 is another perspective view of the in-counter barcode scanner;

FIG. 3 is a front elevation view of the in-counter barcode scanner;

FIG. 4 is a rear elevation view of the in-counter barcode scanner;

FIG. 5 is a right side elevation view of the in-counter barcode scanner;

FIG. 6 is a left side elevation view of the in-counter barcode scanner;

FIG. 7 is a top plan view of the in-counter barcode scanner;

FIG. 8 is a bottom plan view of the in-counter barcode scanner;

FIG. 9 is another perspective view of the in-counter barcode scanner; and,

FIG. 10 is yet another perspective view of the in-counter barcode scanner.

Broken lines and unshaded portions contained within broken lines are not claimed.

1 Claim, 10 Drawing Sheets

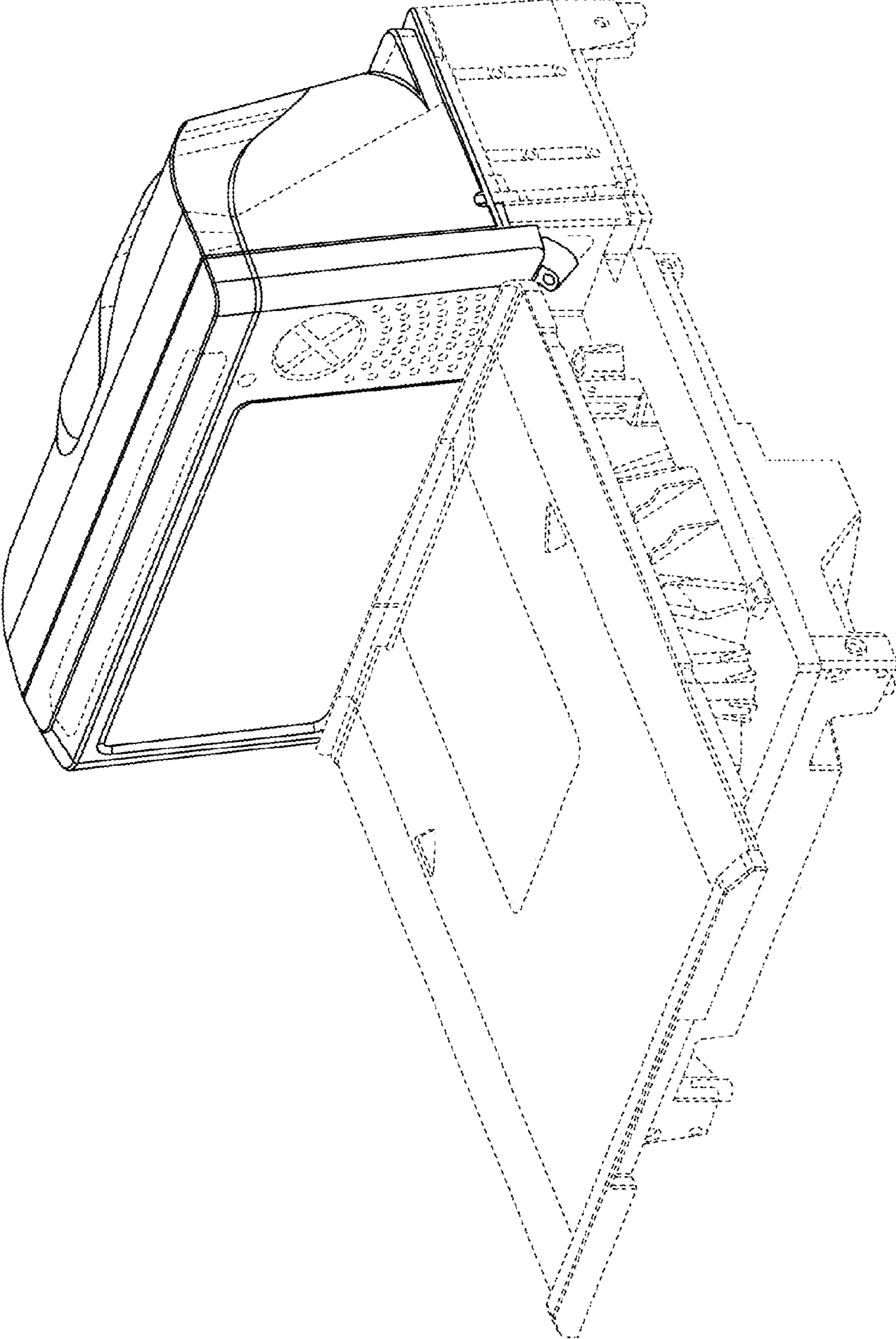


FIG. 1

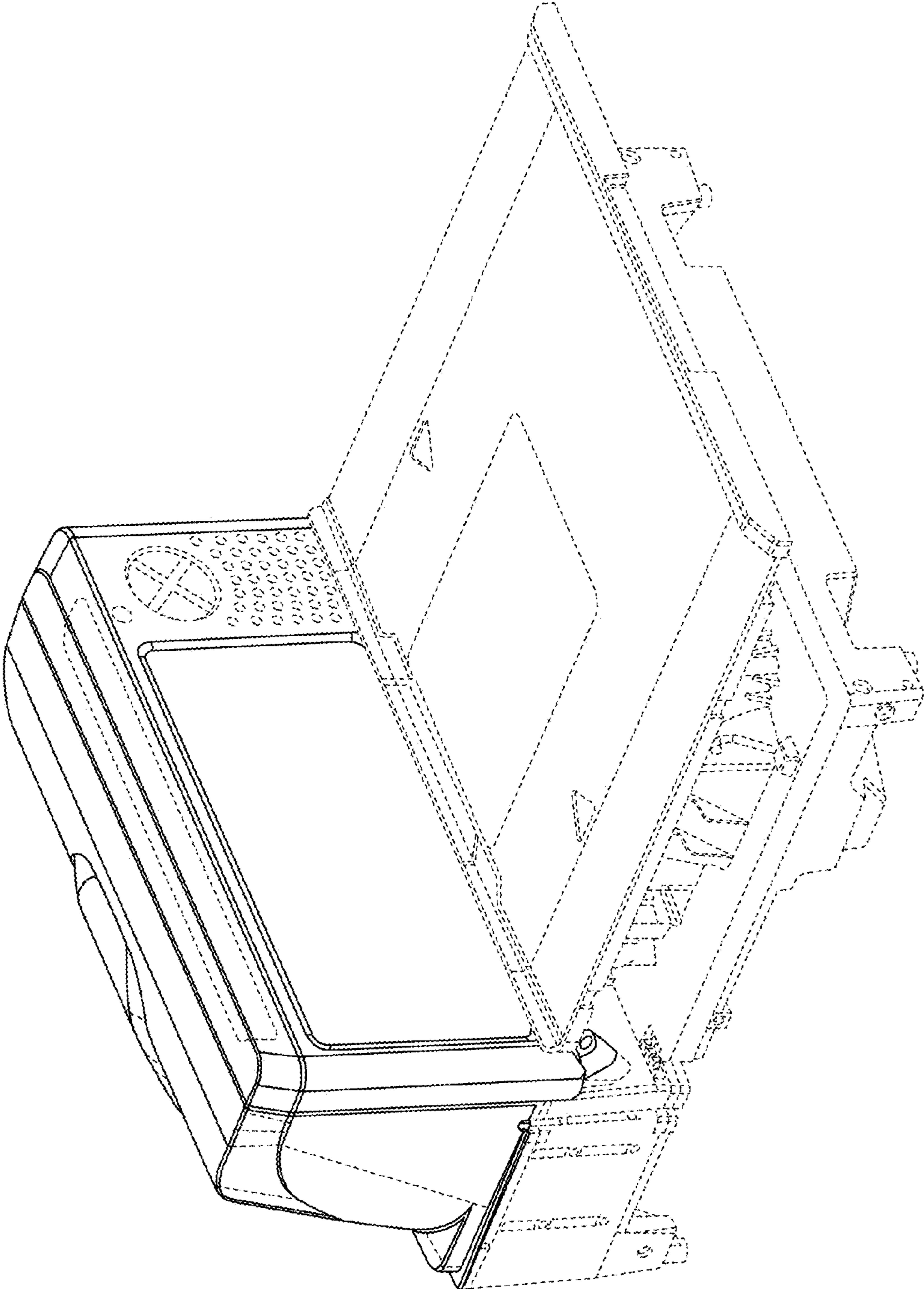


FIG. 2

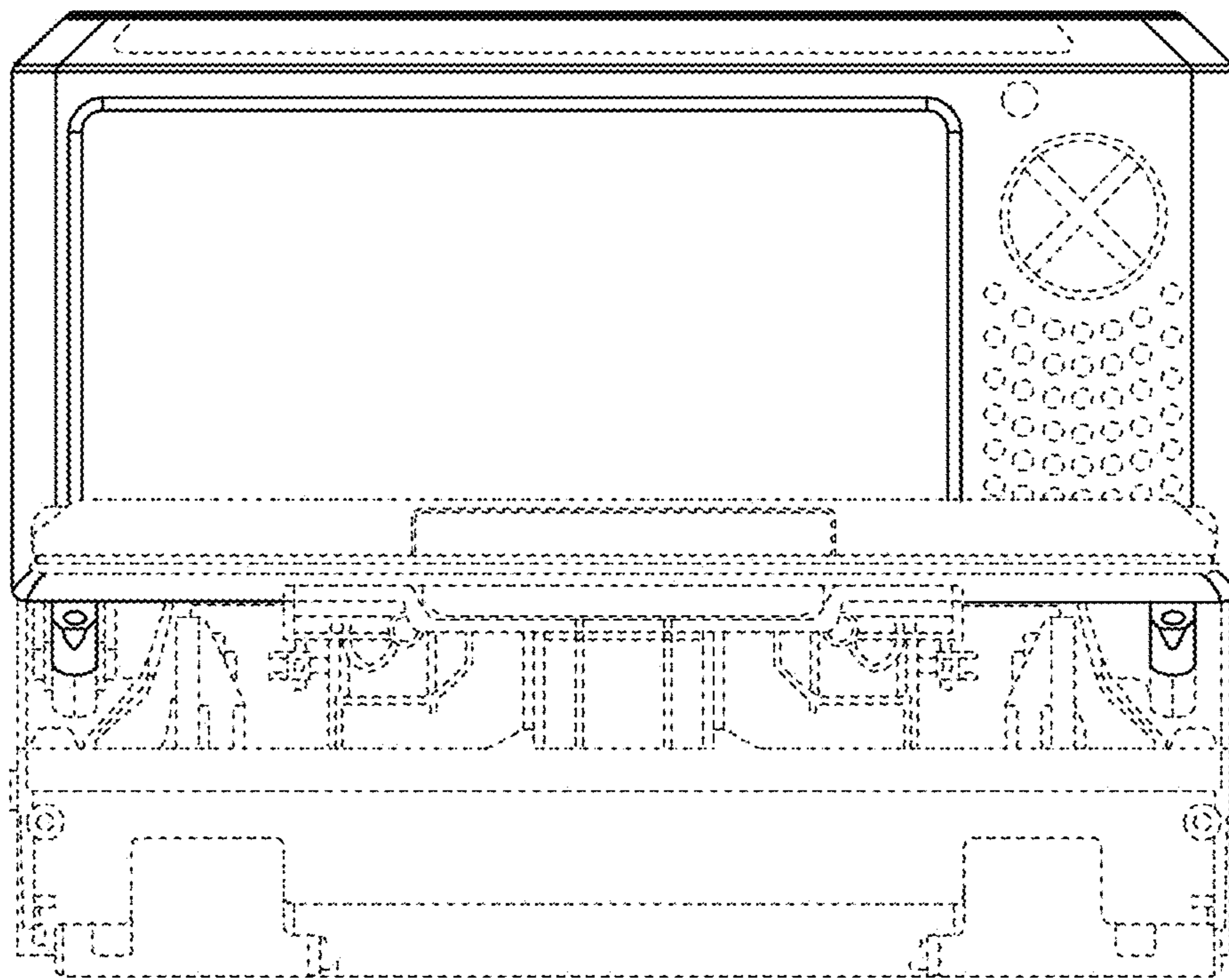


FIG. 3

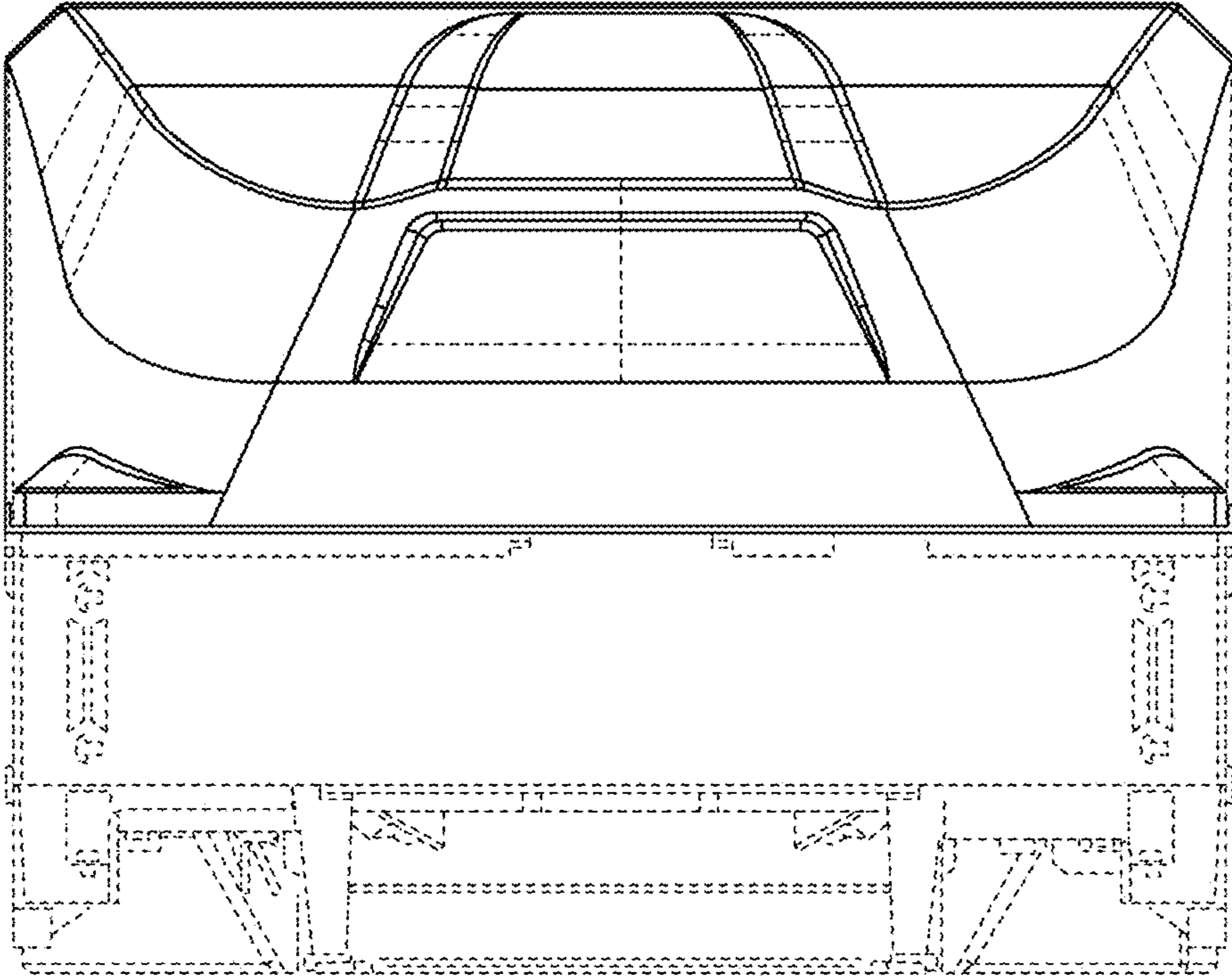


FIG. 4

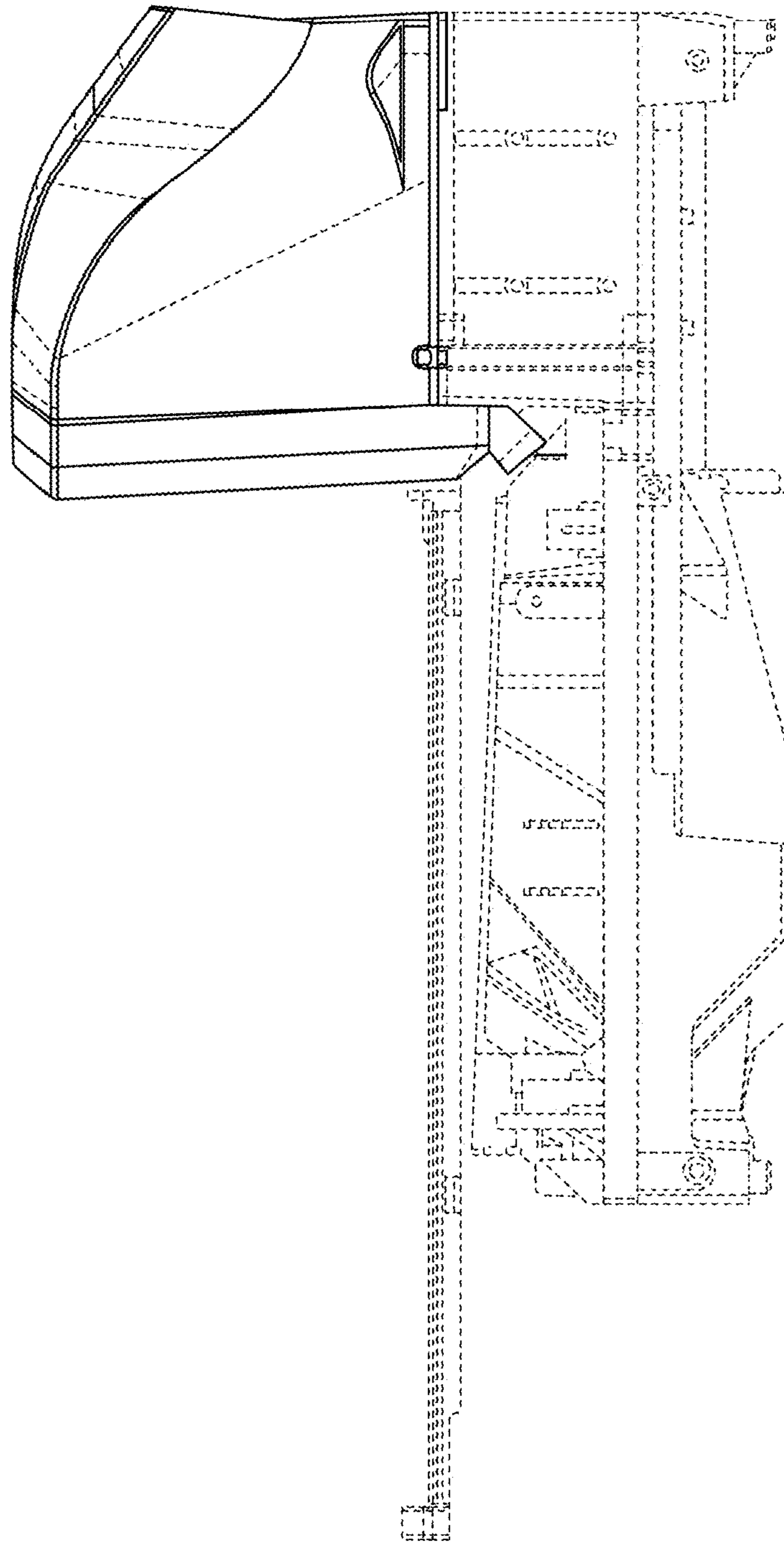


FIG. 5

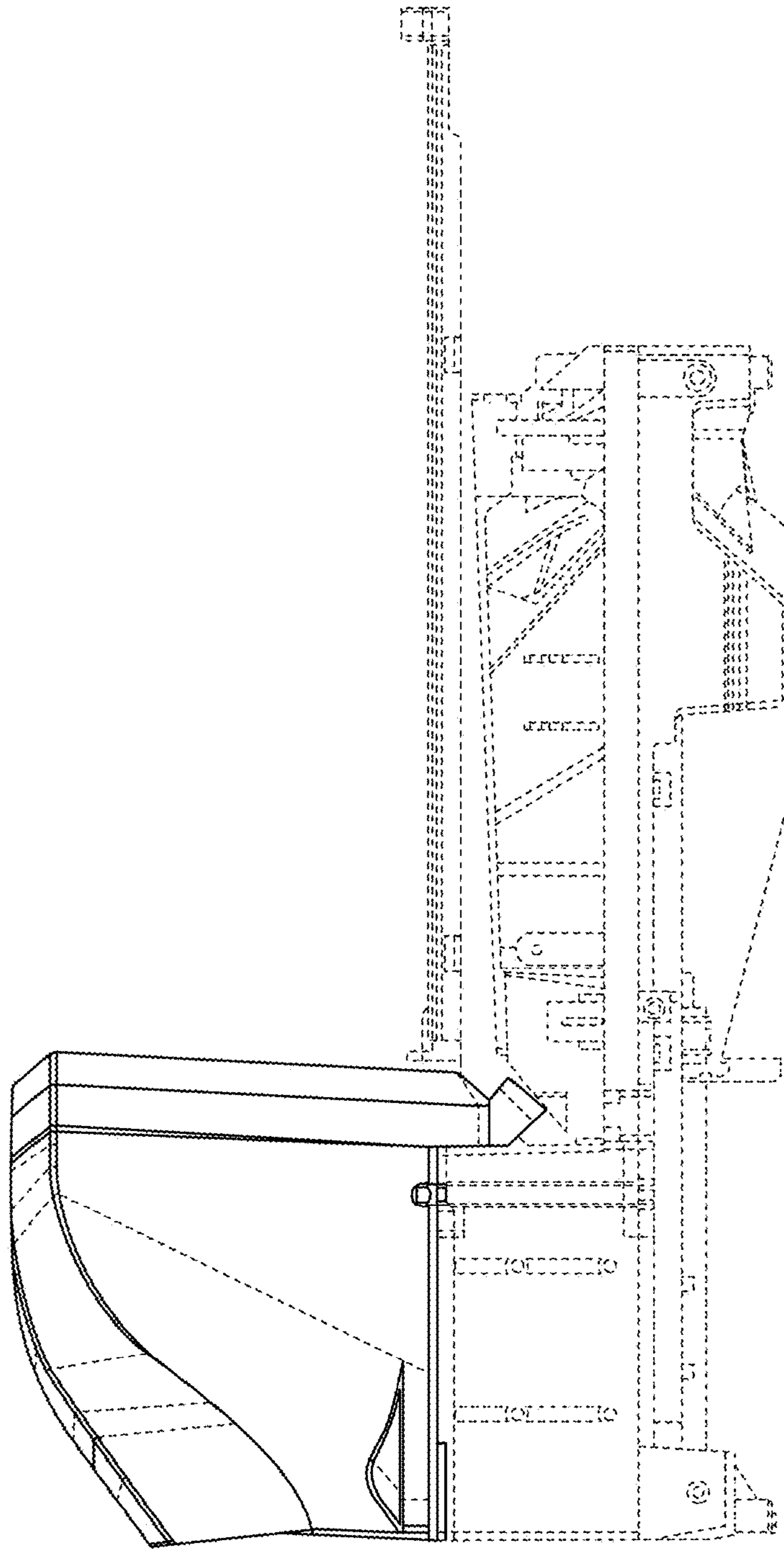


FIG. 6

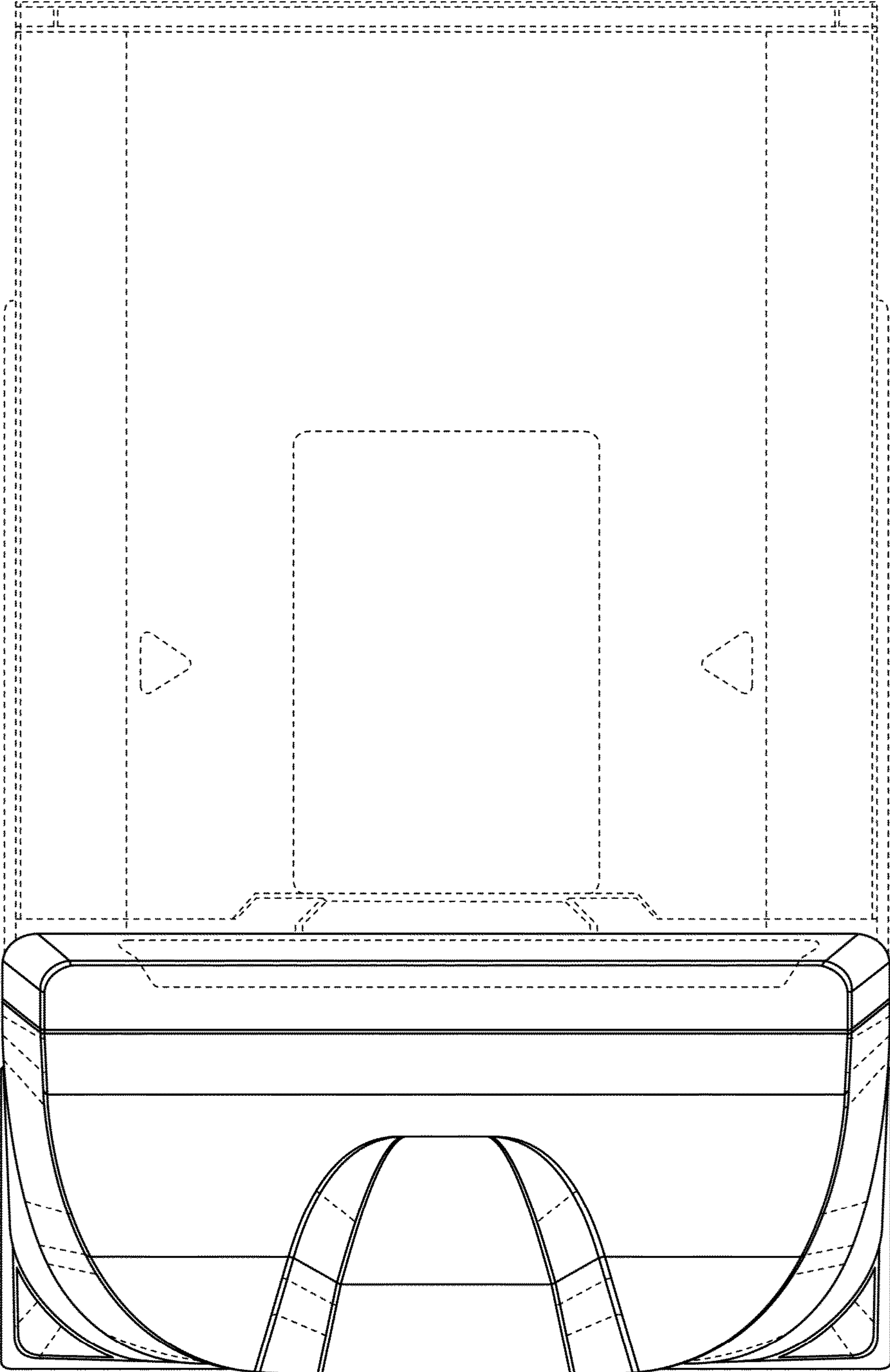


FIG. 7

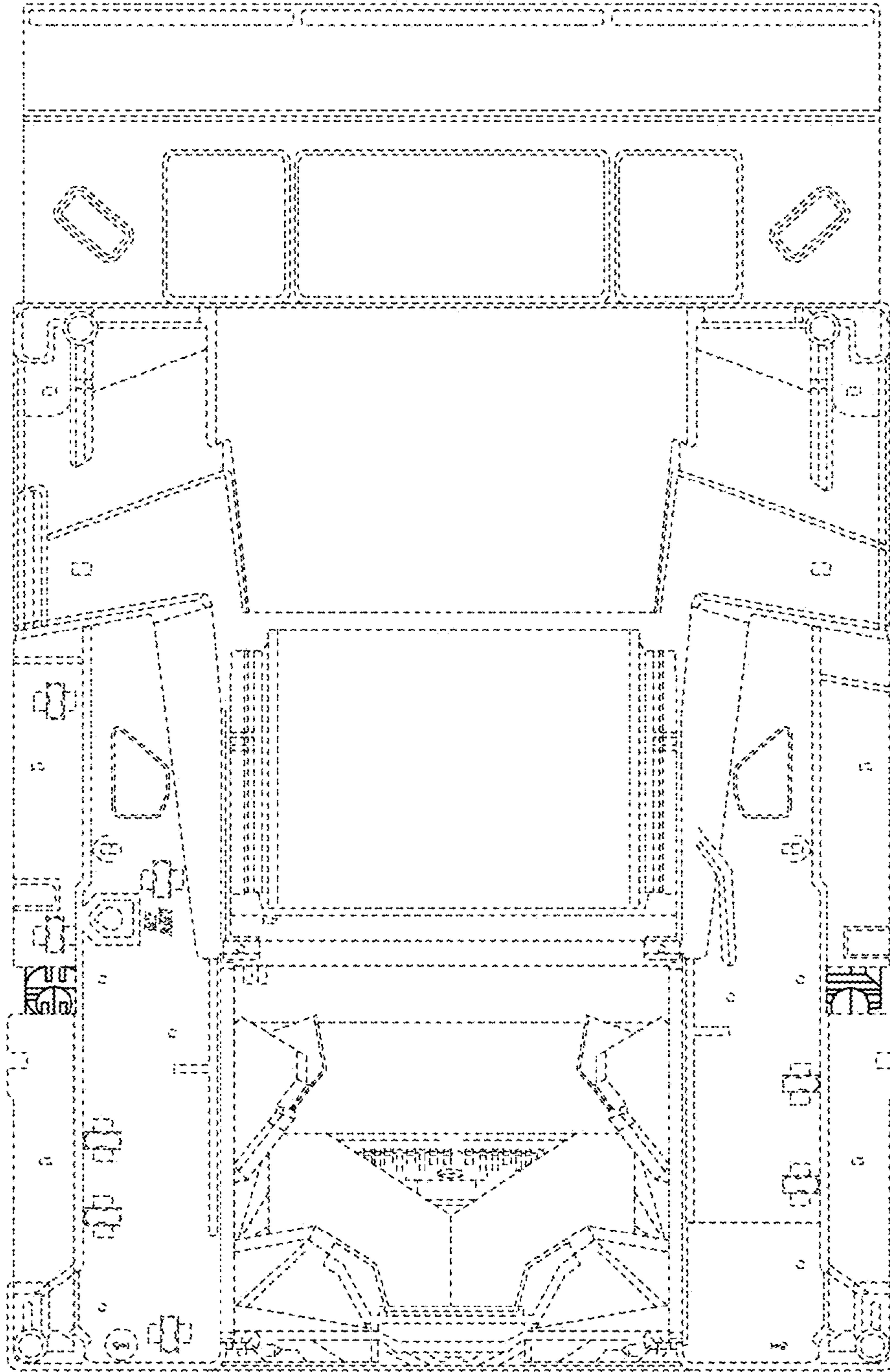


FIG. 8

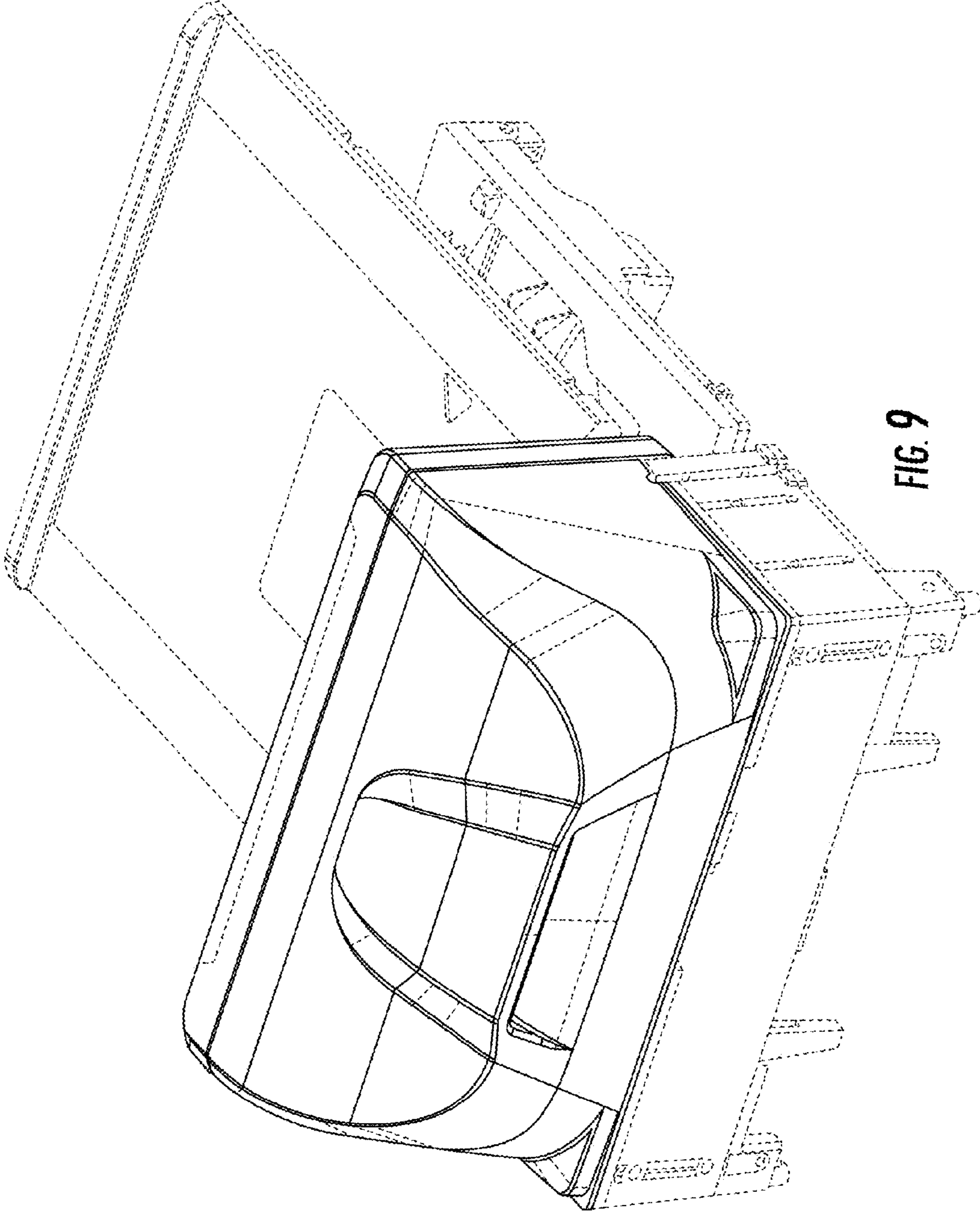


FIG. 9

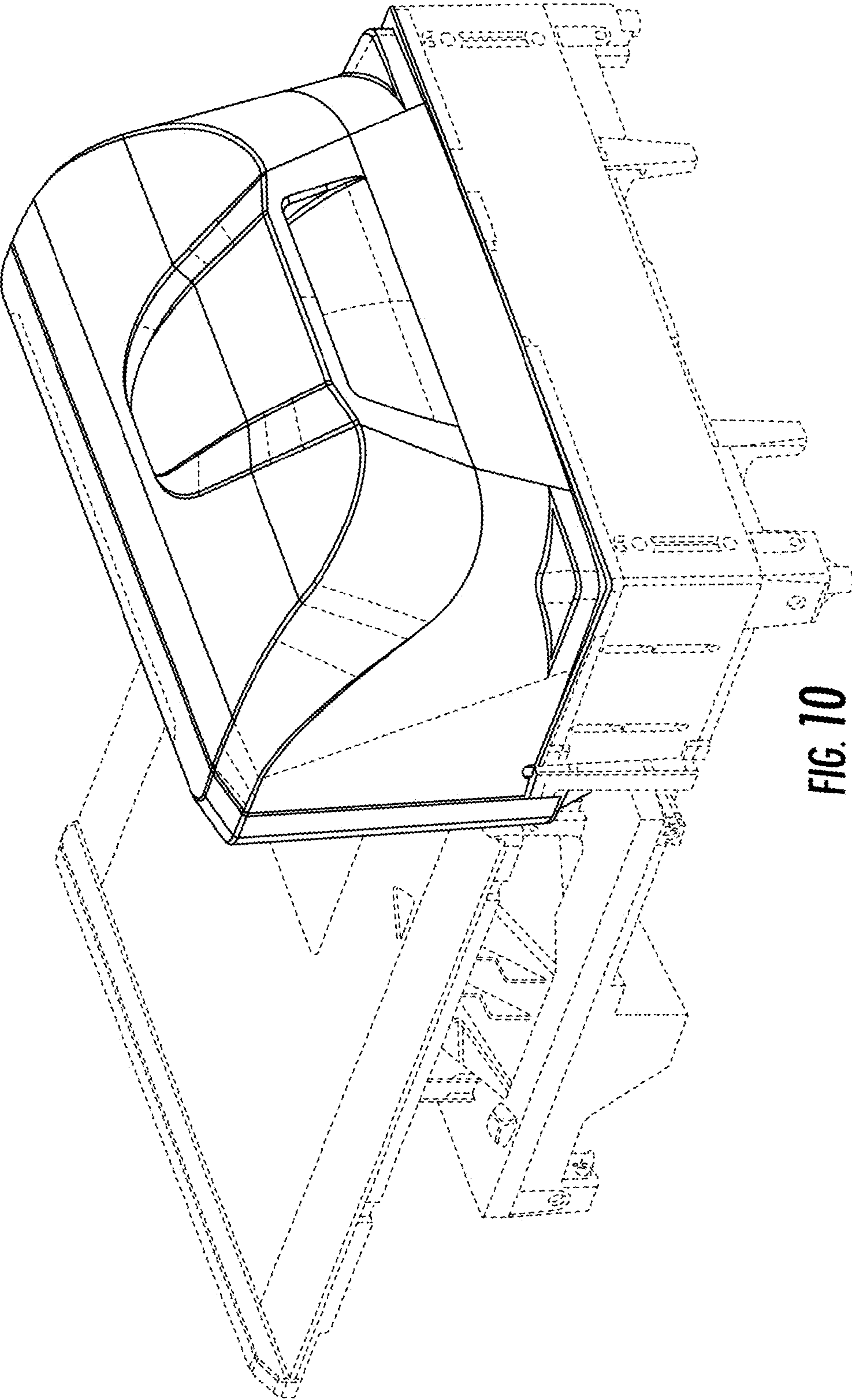


FIG. 10