



US00D757003S

(12) **United States Design Patent**  
**Goossens et al.**

(10) **Patent No.:** **US D757,003 S**

(45) **Date of Patent:** **\*\* May 24, 2016**

(54) **VIRTUAL REALITY HEADSET**

(71) Applicant: **GOOGLE INC.**, Mountain View, CA (US)

(72) Inventors: **Erik Hubert Dolly Goossens**, San Francisco, CA (US); **Damien Henry**, Malakoff (FR); **Alejandro José Kauffmann**, San Francisco, CA (US); **Antonio Bernardo Monteiro Costa**, San Francisco, CA (US)

(73) Assignee: **GOOGLE INC.**, Mountain View, CA (US)

(\*\*) Term: **15 Years**

(21) Appl. No.: **29/528,284**

(22) Filed: **May 27, 2015**

(51) **LOC (10) Cl.** ..... **14-02**

(52) **U.S. Cl.**  
USPC ..... **D14/372**

(58) **Field of Classification Search**  
USPC ..... D14/372, 496, 432, 371, 125, 126, 129, D14/299; D16/300-342; 351/158, 153, 144; 345/7-9, 905; 455/344; 348/115, 53, 348/121, 739  
CPC ..... G02B 27/017; G02B 27/0158; G02B 27/0161; G02B 27/0181; G02B 27/0185; G02B 27/0189

See application file for complete search history.

(56) **References Cited**

**U.S. PATENT DOCUMENTS**

D374,002 S	9/1996	Bassett et al.	
D415,146 S *	10/1999	Hori	D14/372
D427,982 S *	7/2000	Ishii	D14/372
D444,155 S *	6/2001	Morooka	D14/496
D601,641 S *	10/2009	Yeung	D16/306
D687,434 S *	8/2013	Serota	D14/372
D701,206 S	3/2014	Luckey et al.	

D704,704 S	5/2014	Tatara et al.	
D719,953 S *	12/2014	Nokuo	D14/372
D727,318 S *	4/2015	Garcia Marin	D14/372
D732,028 S *	6/2015	Kim	D14/372
D738,374 S	9/2015	Luckey et al.	

(Continued)

**OTHER PUBLICATIONS**

Notice of Allowance for U.S. Appl. No. 29/516,996, mailed Oct. 23, 2015, 12 pages.

(Continued)

*Primary Examiner* — Austin Murphy

(74) *Attorney, Agent, or Firm* — Brake Hughes Bellermann LLP

(57) **CLAIM**

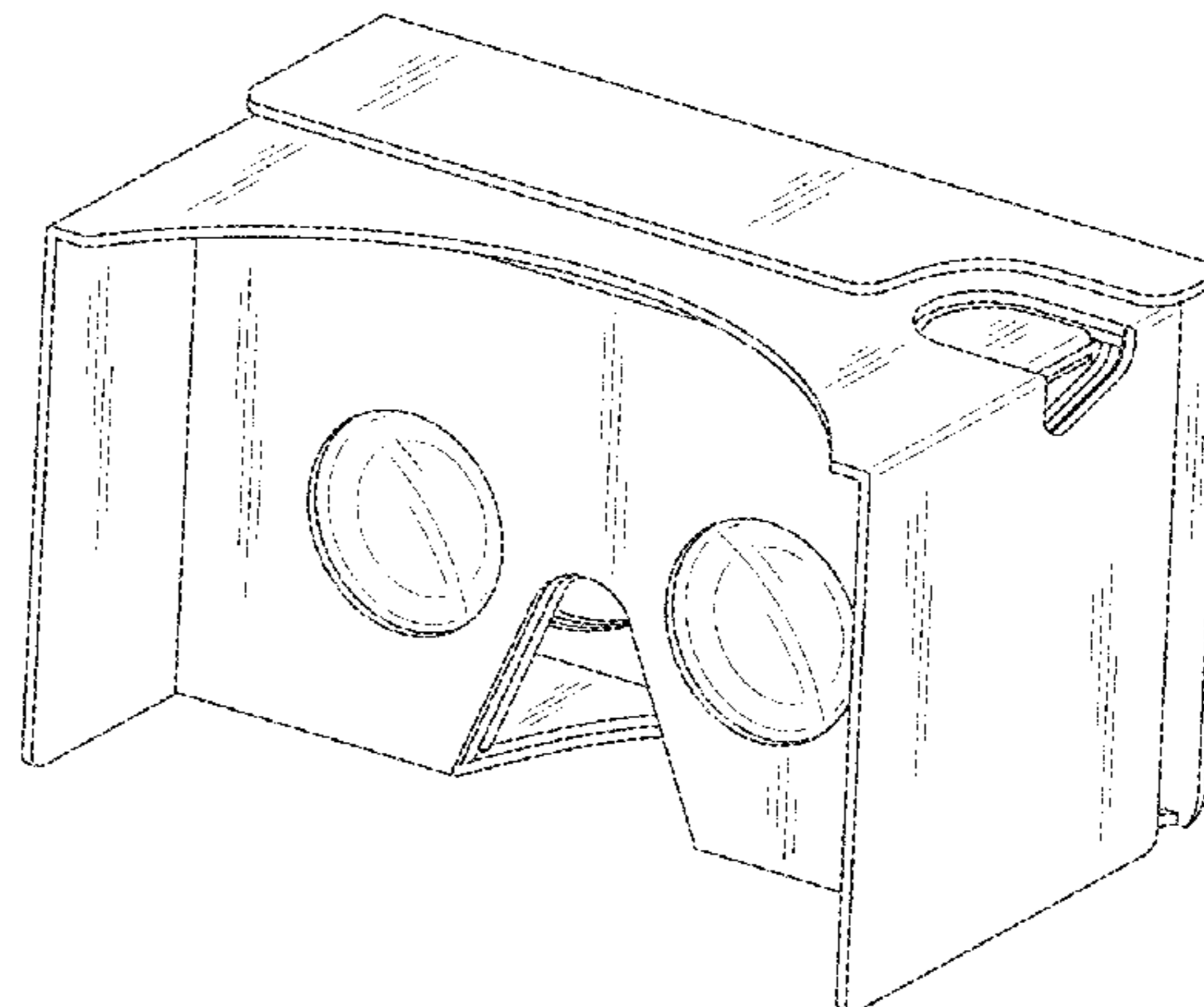
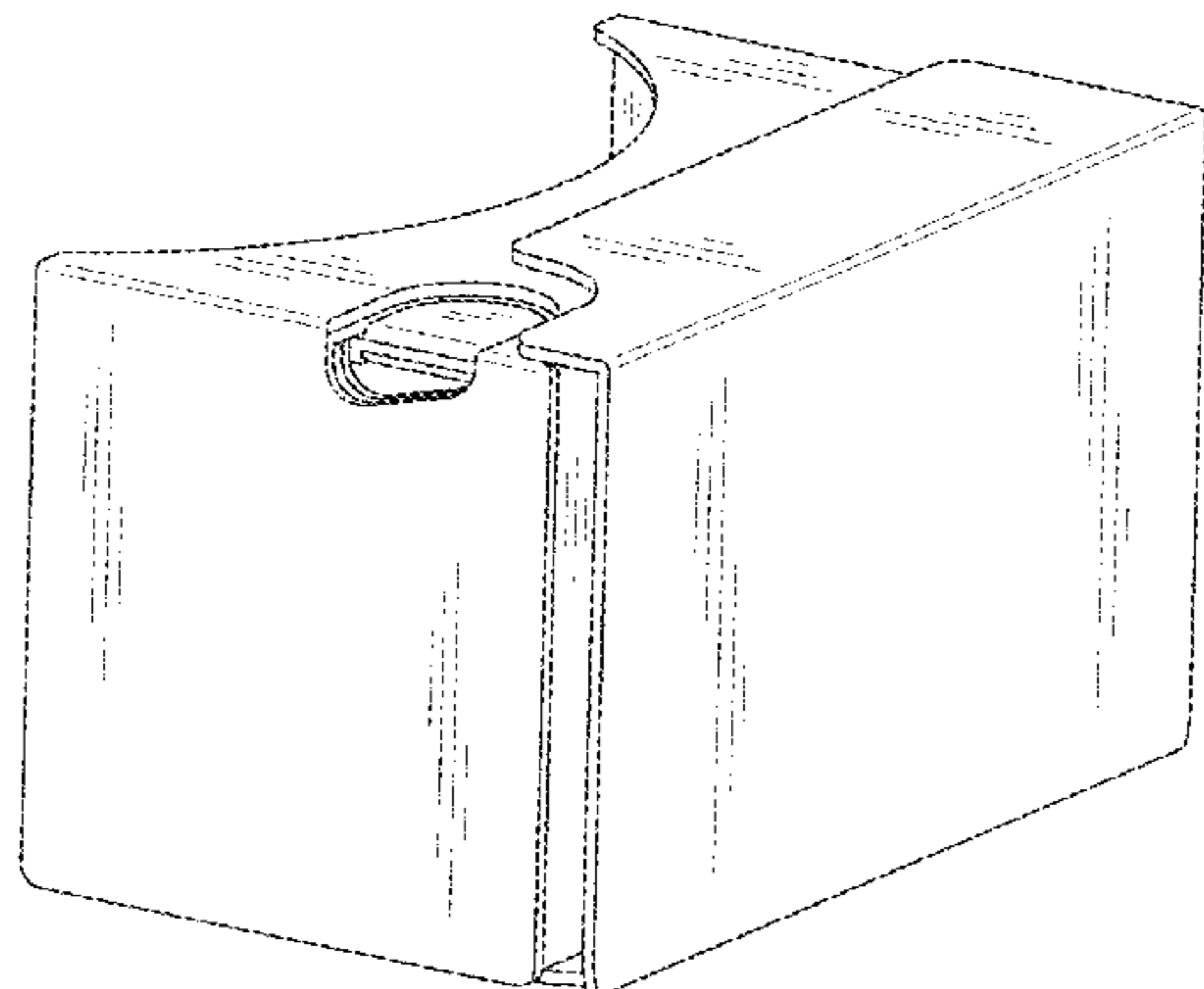
What is claimed is an ornamental design for a virtual reality headset, as shown and described herein.

**DESCRIPTION**

FIG. 1 is a front perspective view of a virtual reality headset; FIG. 2 is a rear perspective view of the virtual reality headset shown in FIG. 1; FIG. 3 is a front view of the virtual reality headset shown in FIG. 1; FIG. 4 is a rear view of the virtual reality headset shown in FIG. 1; FIG. 5 is a left-side view of the virtual reality headset shown in FIG. 1; FIG. 6 is a right-side view of the virtual reality headset shown in FIG. 1; FIG. 7 is a top-side view of the virtual reality headset shown in FIG. 1; and, FIG. 8 is a bottom-side view of the virtual reality headset shown in FIG. 1.

Any broken lines in the drawing are for purposes of illustrating portions of the virtual reality headset and form no part of the claimed design.

**1 Claim, 8 Drawing Sheets**



(56)

**References Cited**

U.S. PATENT DOCUMENTS

D739,855	S	*	9/2015	Bosveld	.....	D14/372
D740,810	S	*	10/2015	Bosveld	.....	D14/372
D740,814	S		10/2015	Bosveld et al.		
D741,323	S	*	10/2015	Bosveld	.....	D14/372
D741,327	S	*	10/2015	Reznik	.....	D14/372
D745,517	S	*	12/2015	Kumagai	.....	D14/372
2010/0079356	A1		4/2010	Hoellwarth		

OTHER PUBLICATIONS

“Google Cardboard”, promotional materials found at [www.google.com/cardboard](http://www.google.com/cardboard), printed May 12, 2015, 3 pages. First available approximately Jun. 27, 2014.

“Multipart Plan” dated Feb. 26, 2014, 1 page.

“Photo 1” posted to Instagram by inventor on Oct. 6, 2013, 1 page.

“Photo 2” posted to Instagram by inventor on Oct. 6, 2013, 1 page.

“Photo 3” posted to Instagram by inventor on Oct. 6, 2013, 1 page.

\* cited by examiner

FIG. 1

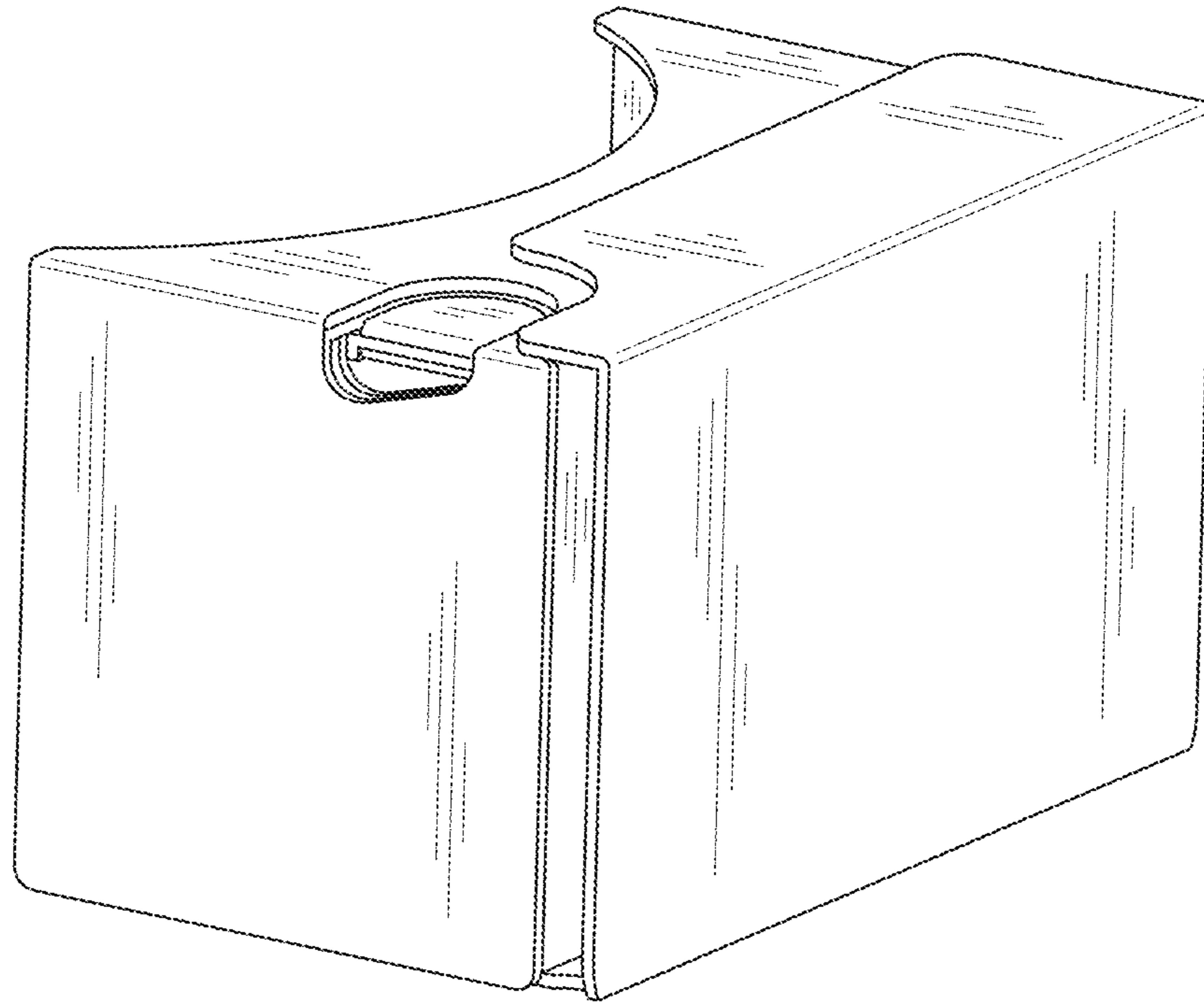


FIG. 2

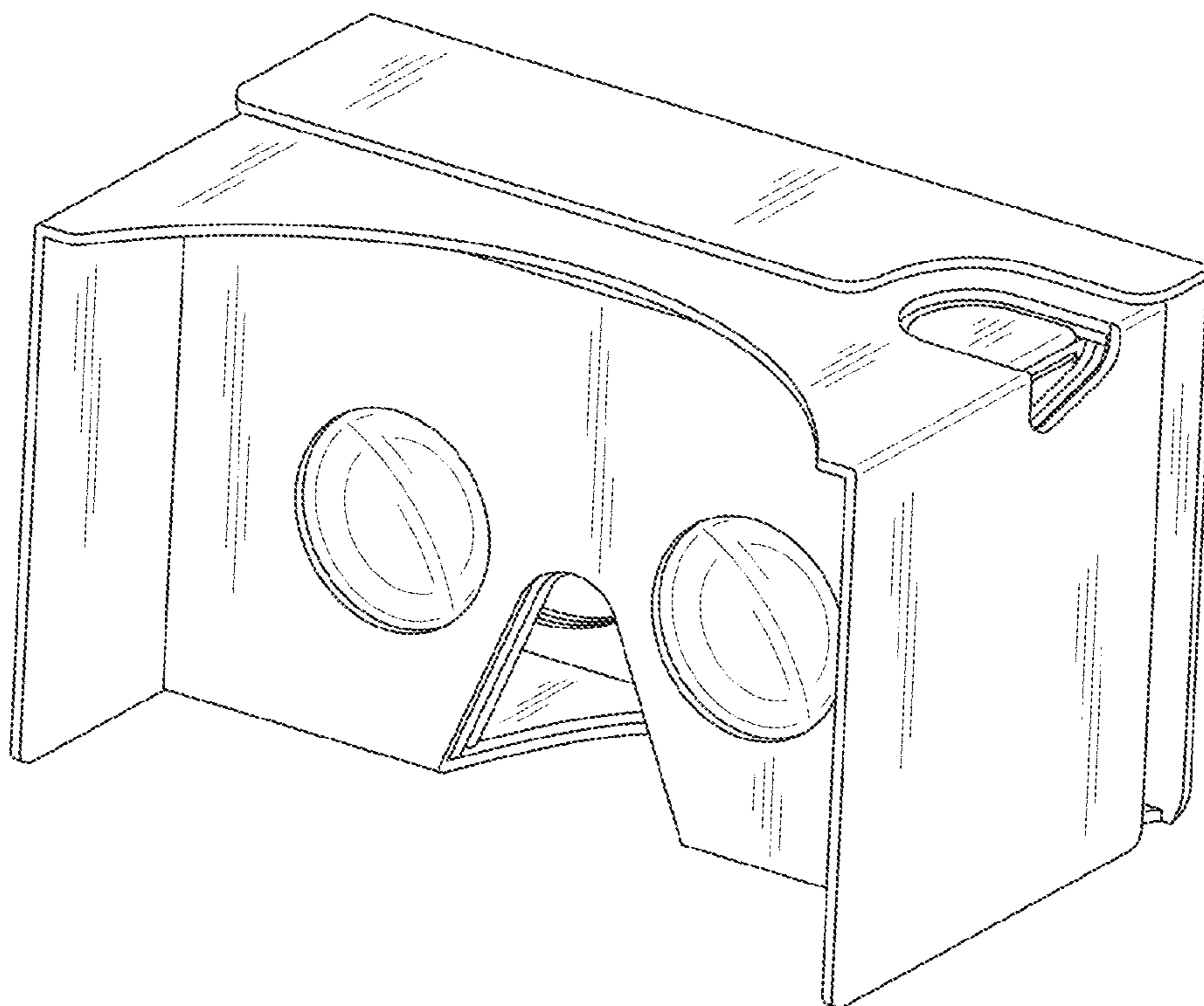


FIG. 3

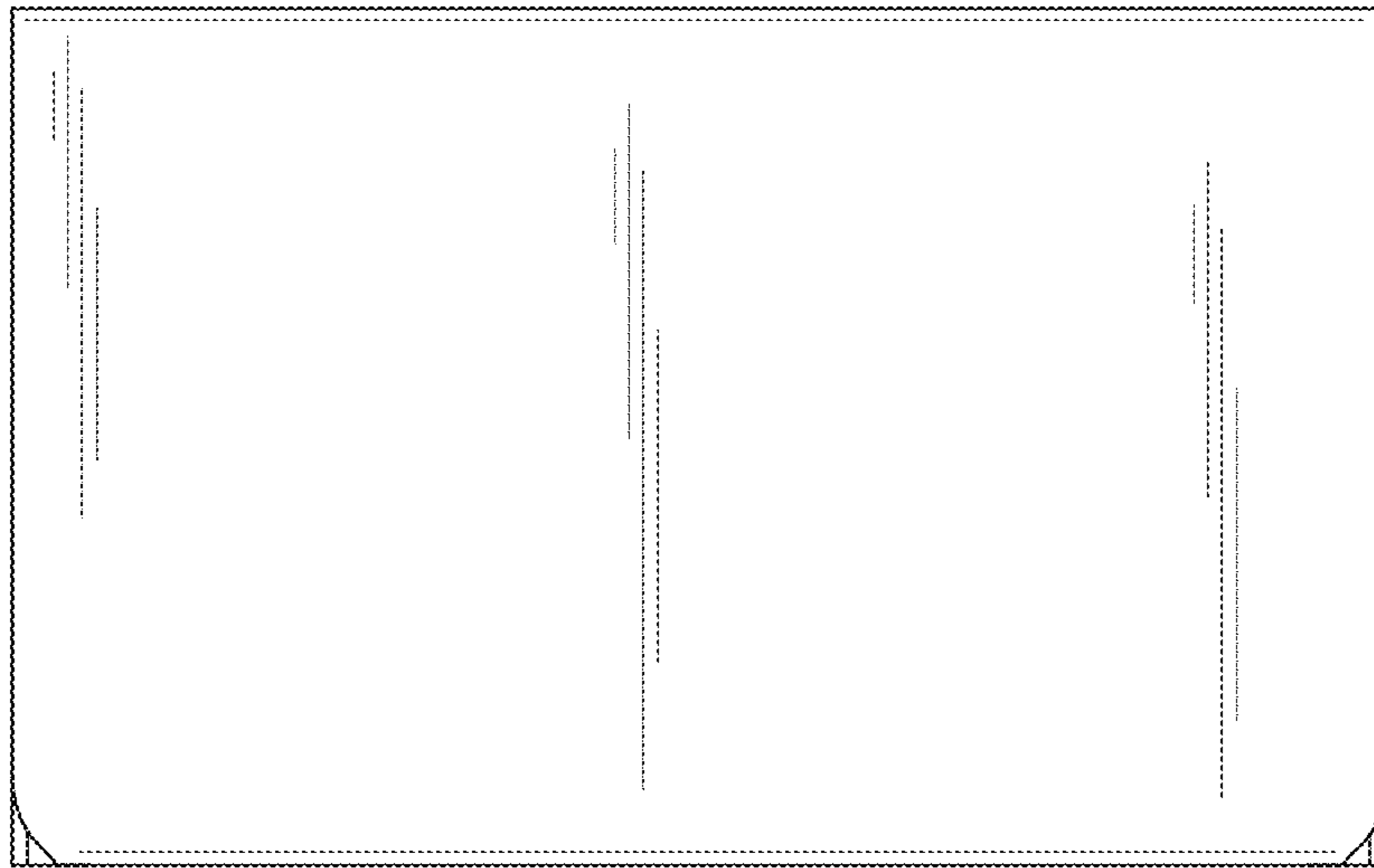


FIG. 4

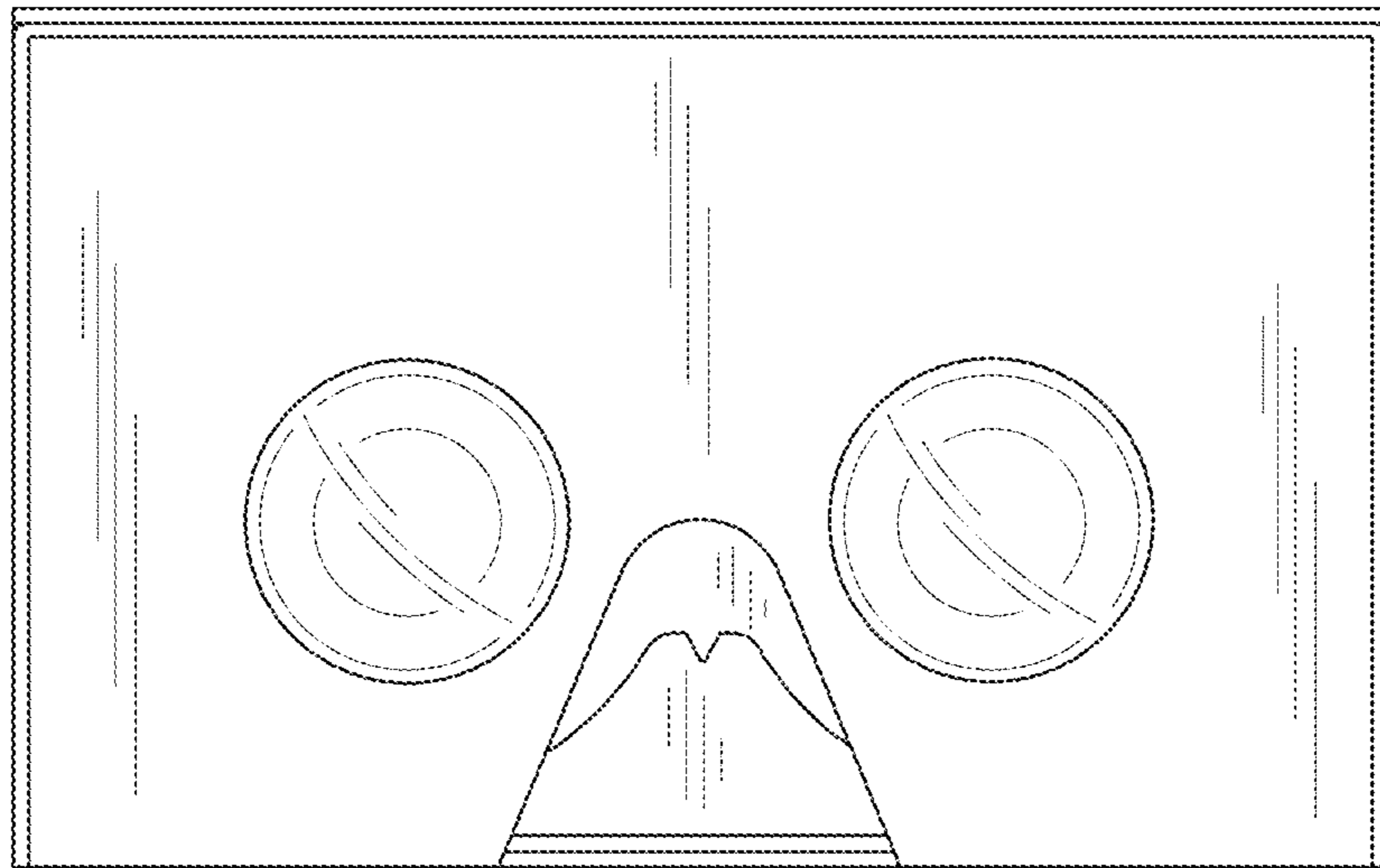


FIG. 5

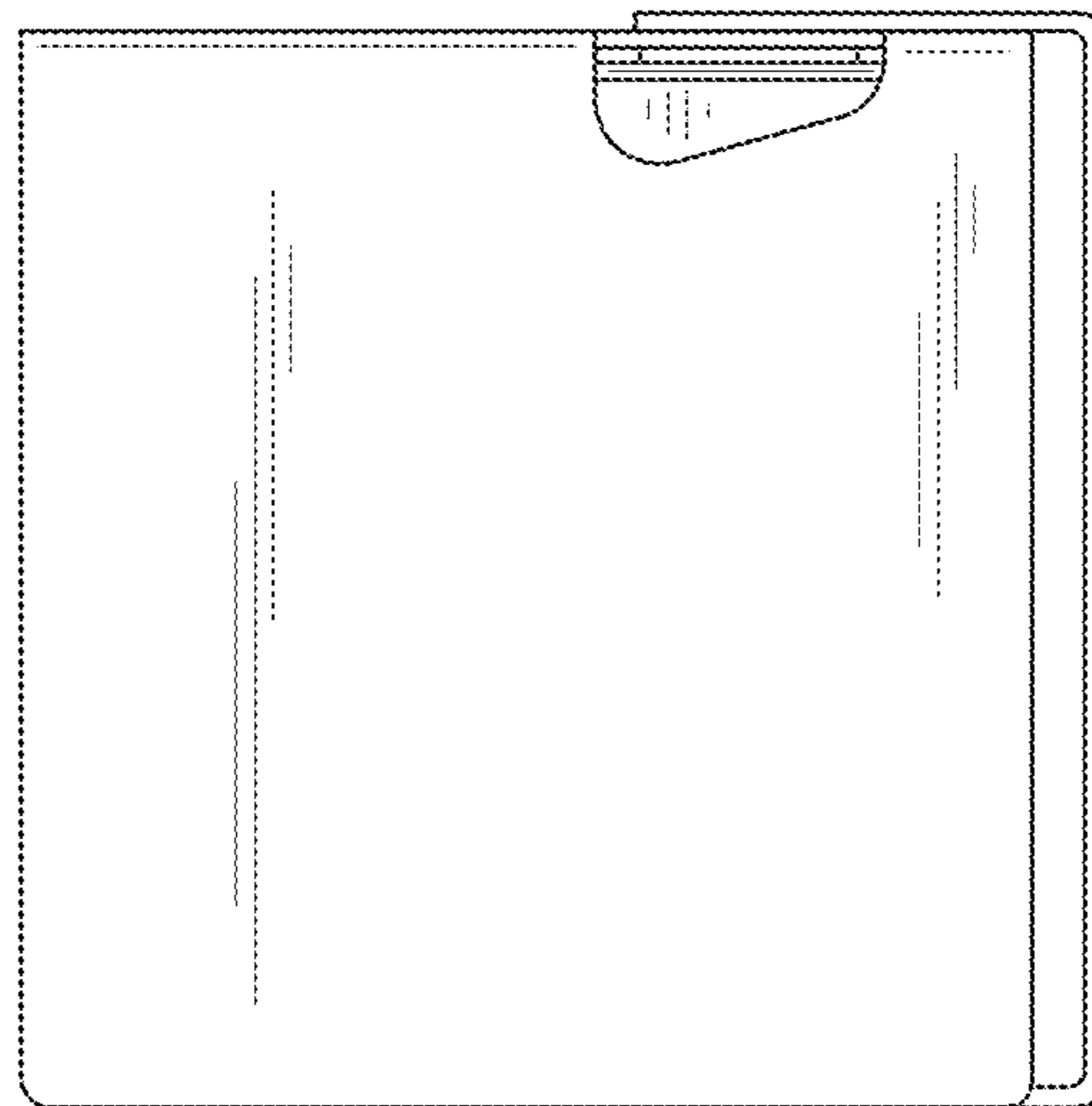




FIG. 6

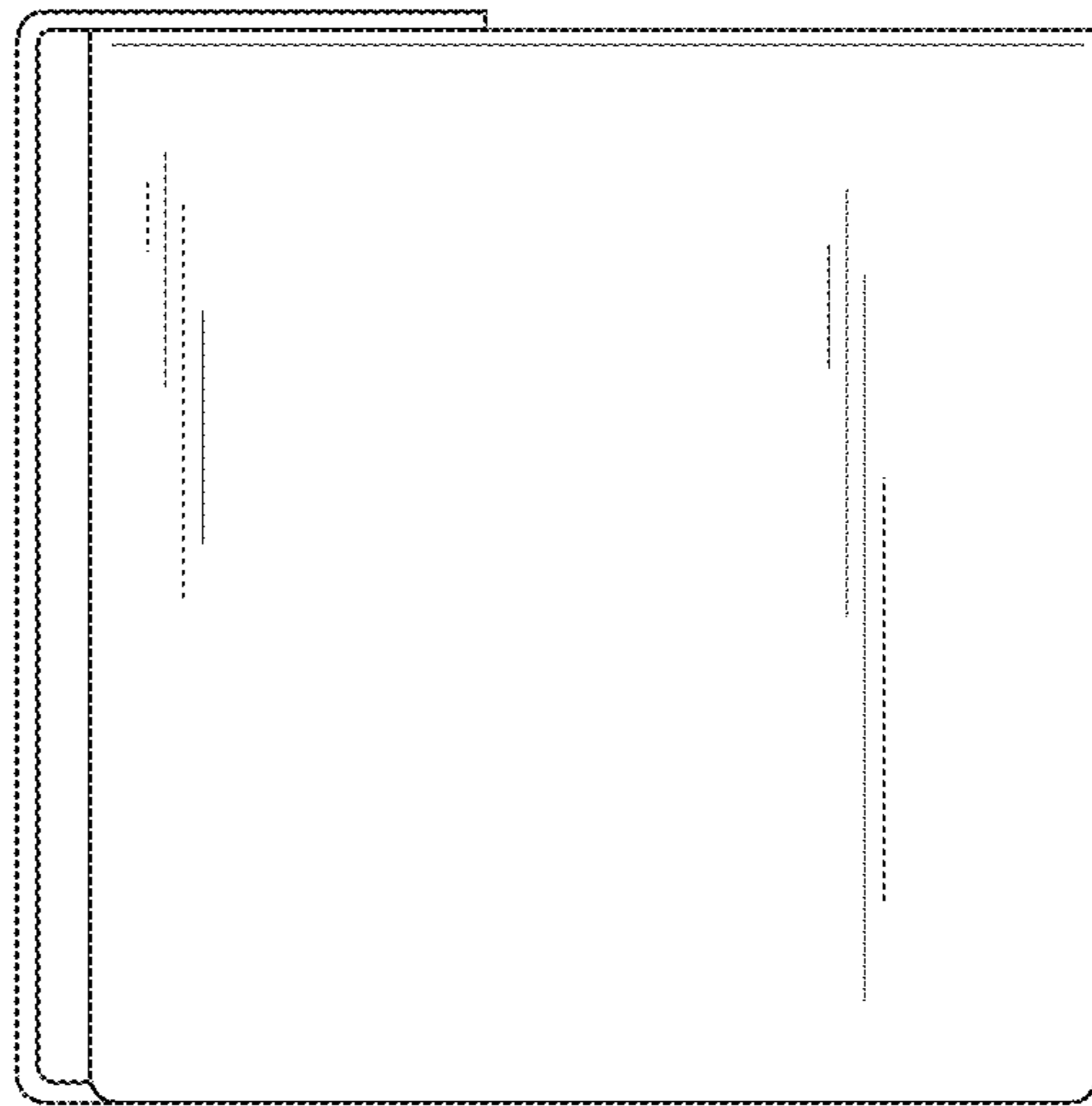




FIG. 7

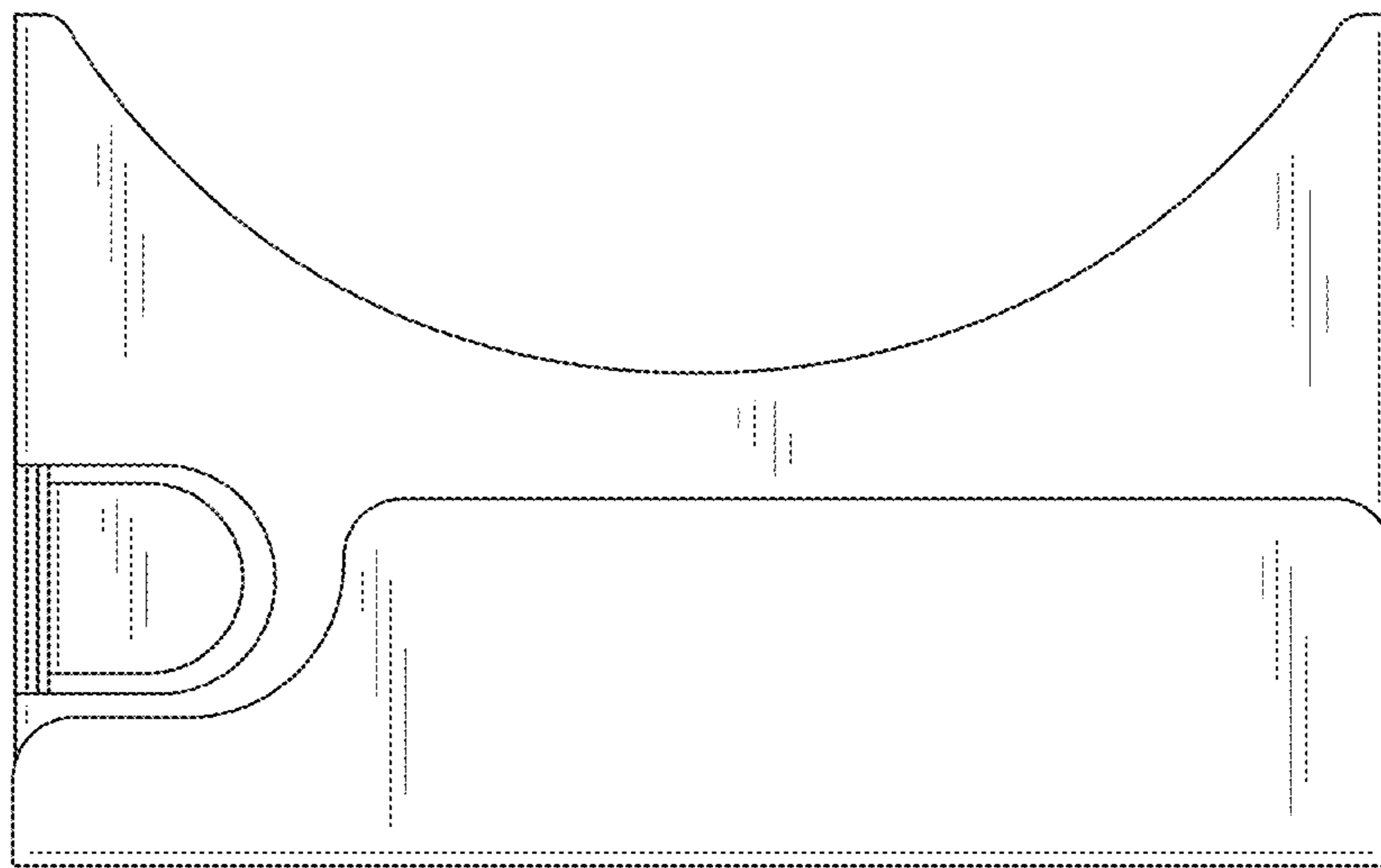


FIG. 8

