

US00D757001S

(12) **United States Design Patent**
Kim

(10) **Patent No.:** **US D757,001 S**
(45) **Date of Patent:** **** May 24, 2016**

(54) **MOBILE PHONE**

(71) Applicant: **LG ELECTRONICS INC.**, Seoul (KR)

(72) Inventor: **Jaeyoung Kim**, Seoul (KR)

(73) Assignee: **LG ELECTRONICS INC.**, Seoul (KR)

(**) Term: **14 Years**

(21) Appl. No.: **29/507,379**

(22) Filed: **Oct. 27, 2014**

(30) **Foreign Application Priority Data**

Apr. 28, 2014 (KR) 30-2014-0021440

(51) **LOC (10) Cl.** **14-02**

(52) **U.S. Cl.**
USPC **D14/344**; D14/138 R

(58) **Field of Classification Search**
USPC D14/344, 140, 143, 144, 137, 138 R,
D14/138 AA, 138 AC, 138 AD, 138 G, 214,
D14/411, 431, 480.3, 461, 496, 299; D11/3,
D11/4, 5, 12, 19, 25; D13/103, 107, 108;
455/575.1, 575.2, 575.3, 575.4, 575.6
CPC H04M 1/0202; H04M 1/0206; H04M
1/0235; H04B 1/03; H04B 1/385
See application file for complete search history.

(56) **References Cited**

U.S. PATENT DOCUMENTS

- D357,009 S * 4/1995 Rossman D14/461
- 5,841,858 A * 11/1998 Frierson H04M 1/0202
379/428.02
- D558,198 S * 12/2007 Blankenship D11/2
- D581,943 S * 12/2008 Pedersen D14/150
- D589,519 S * 3/2009 Smith D14/461
- D643,428 S * 8/2011 Janky D14/240
- D651,590 S * 1/2012 Kang D14/223
- D653,239 S * 1/2012 Kim D14/215
- D669,883 S * 10/2012 Cheng D14/214

- D681,009 S * 4/2013 Meng D14/214
- D684,082 S * 6/2013 Alvarez D11/3
- D686,217 S * 7/2013 Andre D11/2

(Continued)

OTHER PUBLICATIONS

LG Auki Bracelet Phone Is Colorful and Elegant. concept-phones.com (online)4 pgs. Published Aug. 26, 2011 [retrieved on Nov. 21, 2015]. Retrieved from Internet: <<http://www.concept-phones.com/lg/lg-auki-bracelet-phone-colorful-elegant/>>.*

Primary Examiner — Susan Bennett Hattan

Assistant Examiner — Marie Fast Horse

(74) *Attorney, Agent, or Firm* — Birch, Stewart, Kolasch & Birch, LLP

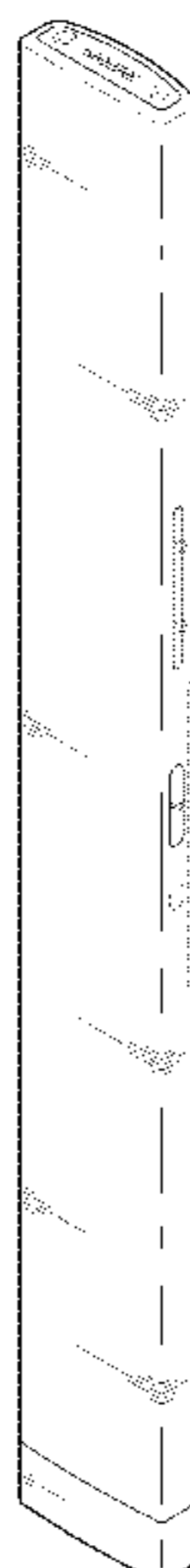
(57) **CLAIM**

The ornamental design for a mobile phone, as shown and described.

DESCRIPTION

FIG. 1 is a perspective view of a mobile phone showing my new design;
 FIG. 2 is a front view thereof;
 FIG. 3 is a rear view thereof;
 FIG. 4 is a left side view thereof;
 FIG. 5 is a right side view thereof;
 FIG. 6 is a top plan view thereof;
 FIG. 7 is a bottom plan view thereof;
 FIG. 8 is a rear perspective view thereof;
 FIG. 9 is a first perspective view thereof, shown in a configuration of use;
 FIG. 10 is a second perspective view thereof, shown in a configuration of use; and,
 FIG. 11 is another perspective view of the design in FIG. 1, shown in a configuration of use.
 The broken lines in FIGS. 1-8 depict portions of the mobile phone that form no part of the claimed design; the broken lines in FIGS. 9-11 depict environmental subject matter only and form no part of the claim.

1 Claim, 9 Drawing Sheets



(56)

References Cited

U.S. PATENT DOCUMENTS

D688,584 S *	8/2013	Cobbett	D11/3
D707,148 S *	6/2014	Proud	D11/5
D707,689 S *	6/2014	Billington	D11/2
D715,259 S *	10/2014	Han	D14/214
D718,169 S *	11/2014	Birnbaum	D11/3
D721,345 S *	1/2015	Lee	D14/138 G
D721,352 S *	1/2015	Kusano	D14/204
D721,373 S *	1/2015	Logereau	D14/432
D721,701 S *	1/2015	Al-Nasser	D14/344
D721,981 S *	2/2015	Choi	D10/70
D725,090 S *	3/2015	Bae	D14/248
D725,652 S *	3/2015	Ishii	D10/106.1
D726,140 S *	4/2015	Park	D14/138 R
D729,783 S *	5/2015	Ryu	D14/248
D729,784 S *	5/2015	Ryu	D14/248
D732,516 S *	6/2015	Bae	D14/248
D732,994 S *	6/2015	Wentz	D11/5
9,061,541 B2 *	6/2015	Elmore	B43K 8/003
D733,604 S *	7/2015	Tan	D11/3
D734,329 S *	7/2015	Lee	D14/344
D737,716 S *	9/2015	Tan	D11/3
D738,877 S *	9/2015	Kim	D14/344
D740,796 S *	10/2015	Kim	D14/248
D741,855 S *	10/2015	Park	D14/344
D742,874 S *	11/2015	Cheng	D14/344
D742,875 S *	11/2015	Ji	D10/32
2005/0068337 A1 *	3/2005	Duarte	G06F 1/162 345/649
2007/0270199 A1 *	11/2007	Kim	H04B 1/385 455/575.6
2013/0271495 A1 *	10/2013	Nguyen	G04G 17/083 345/649
2014/0035884 A1 *	2/2014	Oh	G06F 3/03545 345/179
2014/0316305 A1 *	10/2014	Venkatraman	A61B 5/1112 600/595
2014/0370937 A1 *	12/2014	Park	H04M 1/72519 455/566
2015/0213580 A1 *	7/2015	Yamano	G06F 3/0345 345/649
2015/0222742 A1 *	8/2015	Son	H04M 1/72569 455/566

* cited by examiner

FIG. 1

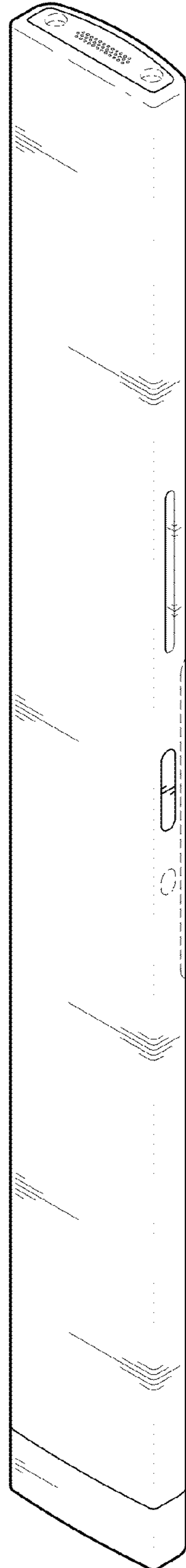


FIG. 2

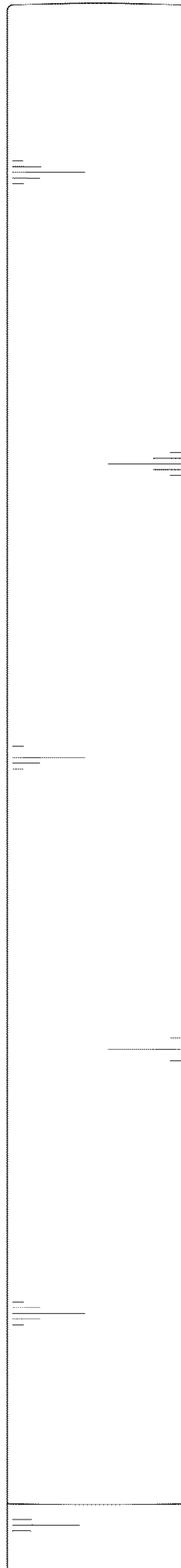


FIG. 3

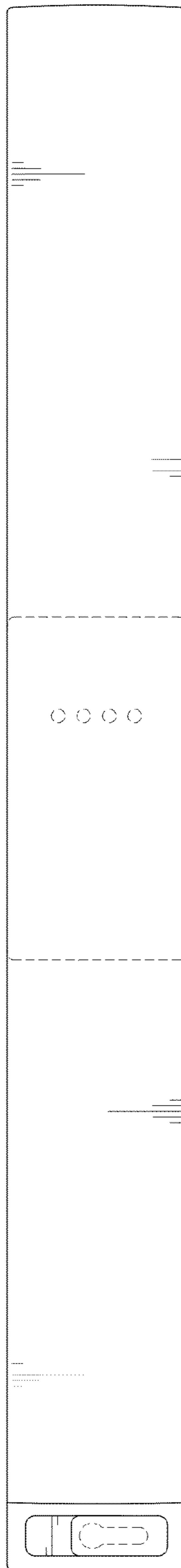


FIG. 4

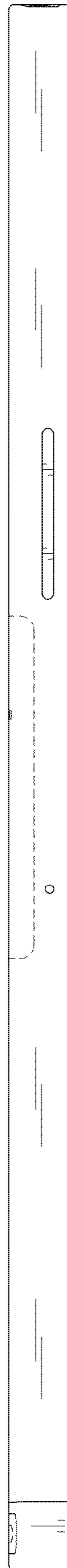


FIG. 5

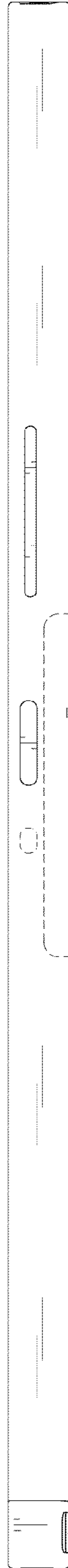


FIG. 6

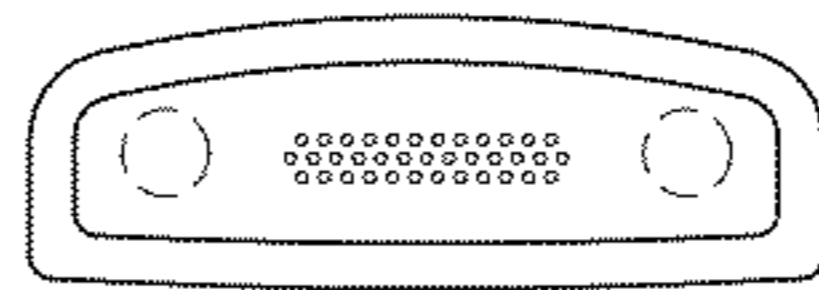


FIG. 7

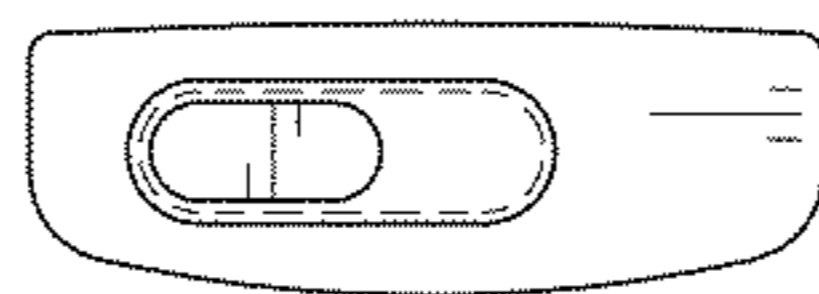


FIG. 8

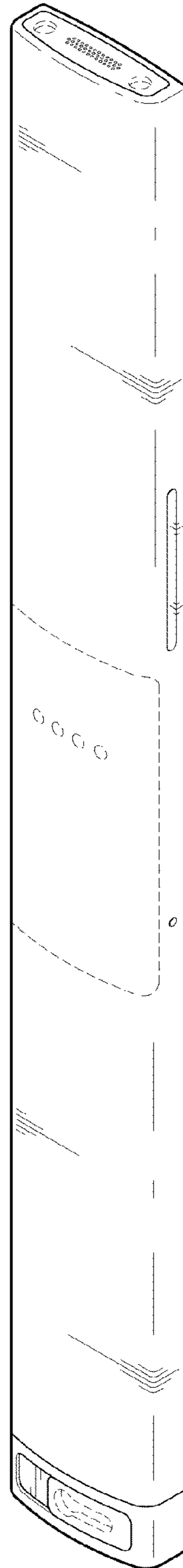


FIG. 9

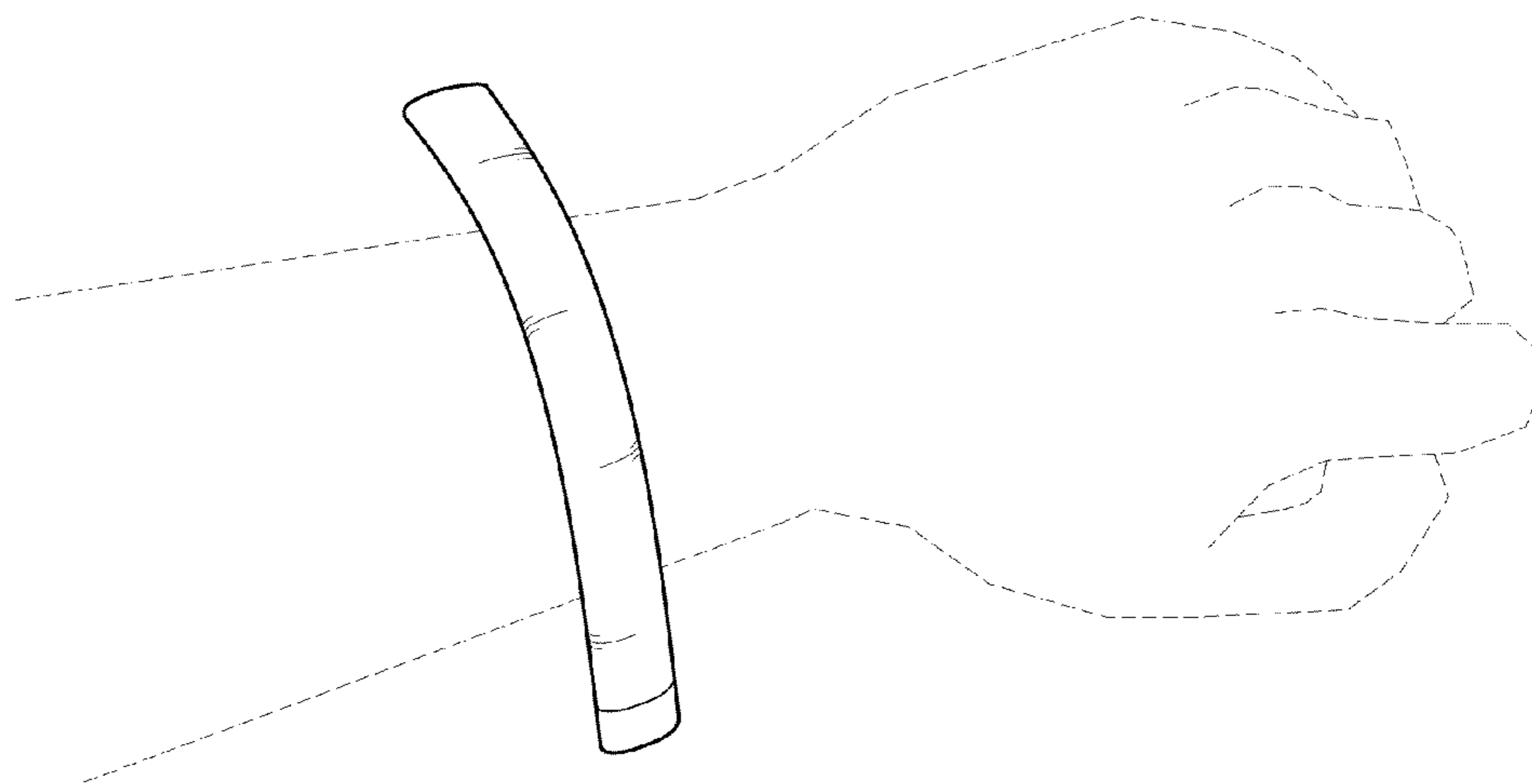


FIG. 10

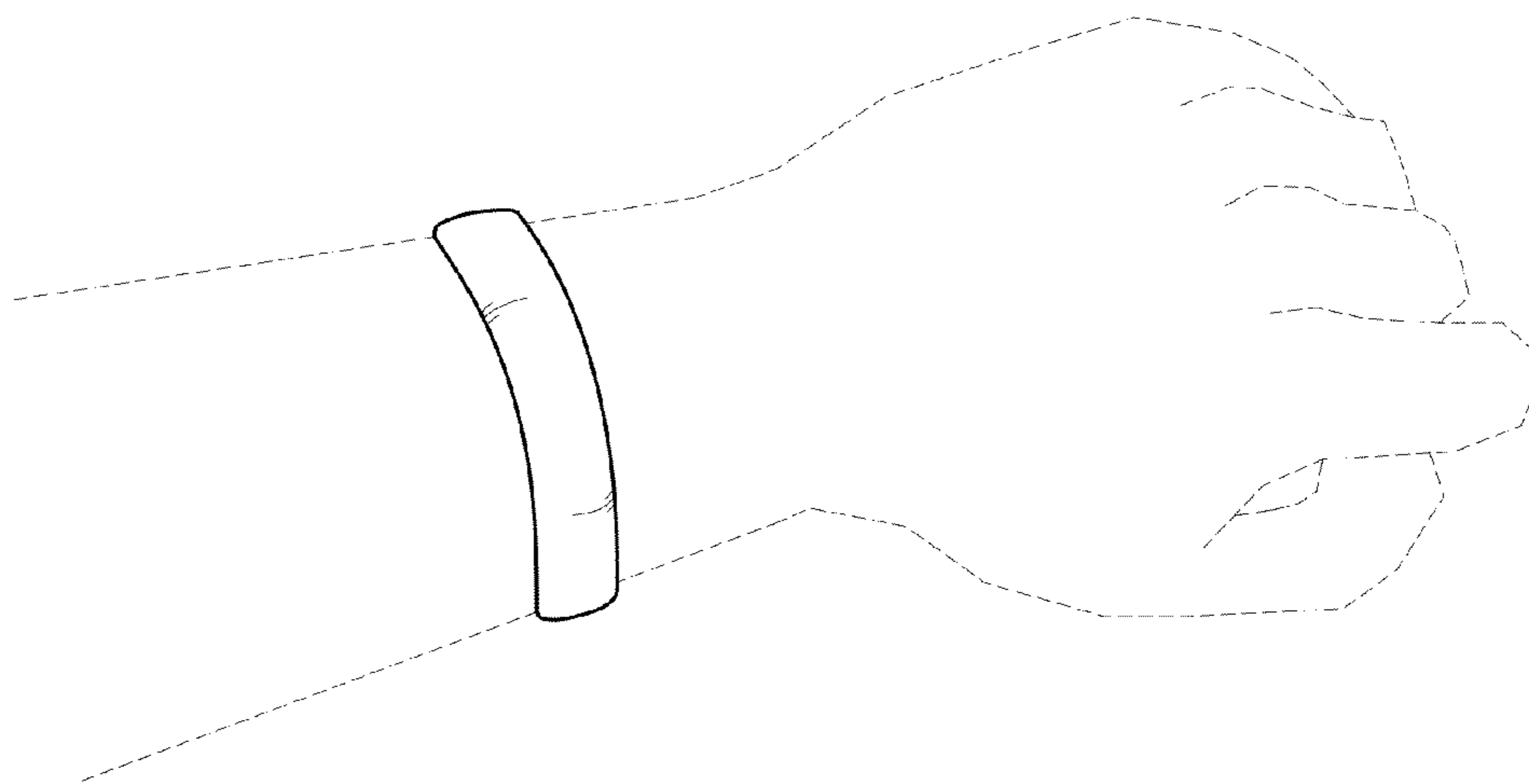


FIG. 11

