



US00D757000S

(12) **United States Design Patent**
Lagomarsino et al.

(10) **Patent No.:** **US D757,000 S**
(45) **Date of Patent:** **** May 24, 2016**

(54) **WEARABLE ELECTRONIC DEVICE**

(56) **References Cited**

(71) Applicants: **Luca Lagomarsino**, Santa Margherita Ligure (IT); **Marco Gaudina**, Genoa (IT); **Alessia Ronco Milanaccio**, San Bartolomeo al Mare (IT); **Simone Schiappacasse**, Genoa (IT)

(72) Inventors: **Luca Lagomarsino**, Santa Margherita Ligure (IT); **Marco Gaudina**, Genoa (IT); **Alessia Ronco Milanaccio**, San Bartolomeo al Mare (IT); **Simone Schiappacasse**, Genoa (IT)

(73) Assignee: **CIRCKE GARAGE START-UP INNOVATIVA S.R.L.**, Genoa (IT)

(**) Term: **14 Years**

(21) Appl. No.: **29/502,519**

(22) Filed: **Sep. 17, 2014**

(30) **Foreign Application Priority Data**

Apr. 16, 2014 (EM) 002448258-0001

(51) **LOC (10) Cl.** **14-02**

(52) **U.S. Cl.**
USPC **D14/344**

(58) **Field of Classification Search**
USPC D14/341-347, 371, 426, 427; D1/127;
D10/30-39, 70, 128; D11/3
CPC A61B 2017/60442; A61B 2017/6824;
A61B 5/681; A61B 5/02438; A61B 5/1112;
A61B 5/0022; H04B 1/385; A44C 5/14;
A44C 5/12

See application file for complete search history.

U.S. PATENT DOCUMENTS

D69,576 S *	3/1926	Eppenstein	D10/39
2,271,085 A *	1/1942	Lund	A44C 5/14 24/129 R
D248,224 S *	6/1978	Sulek	D10/38
4,212,462 A *	7/1980	Glovak	A63B 65/10 473/588
D259,107 S *	5/1981	Fukumura	D10/38
D263,378 S *	3/1982	Fukumura	D10/39
D293,553 S *	1/1988	Sakamaki	D10/30
D361,276 S *	8/1995	Wyss	D10/30
D524,175 S *	7/2006	Zanette	D10/38
D564,370 S *	3/2008	Bove	D10/38
D581,815 S *	12/2008	Gopp	D10/38
D622,028 S *	8/2010	Kerr	D1/107
D685,436 S *	7/2013	Menting	D21/386
D720,346 S *	12/2014	Davis	D14/341
D734,331 S *	7/2015	Wu	D14/344

OTHER PUBLICATIONS

HIRIS [Internet]. [Retrieved on Sep. 28, 2015] Found at:<<http://gethiris.com/>>.*

* cited by examiner

Primary Examiner — Mary Ann Calabrese
Assistant Examiner — Jennifer L Rempfer
(74) *Attorney, Agent, or Firm* — Themis Law

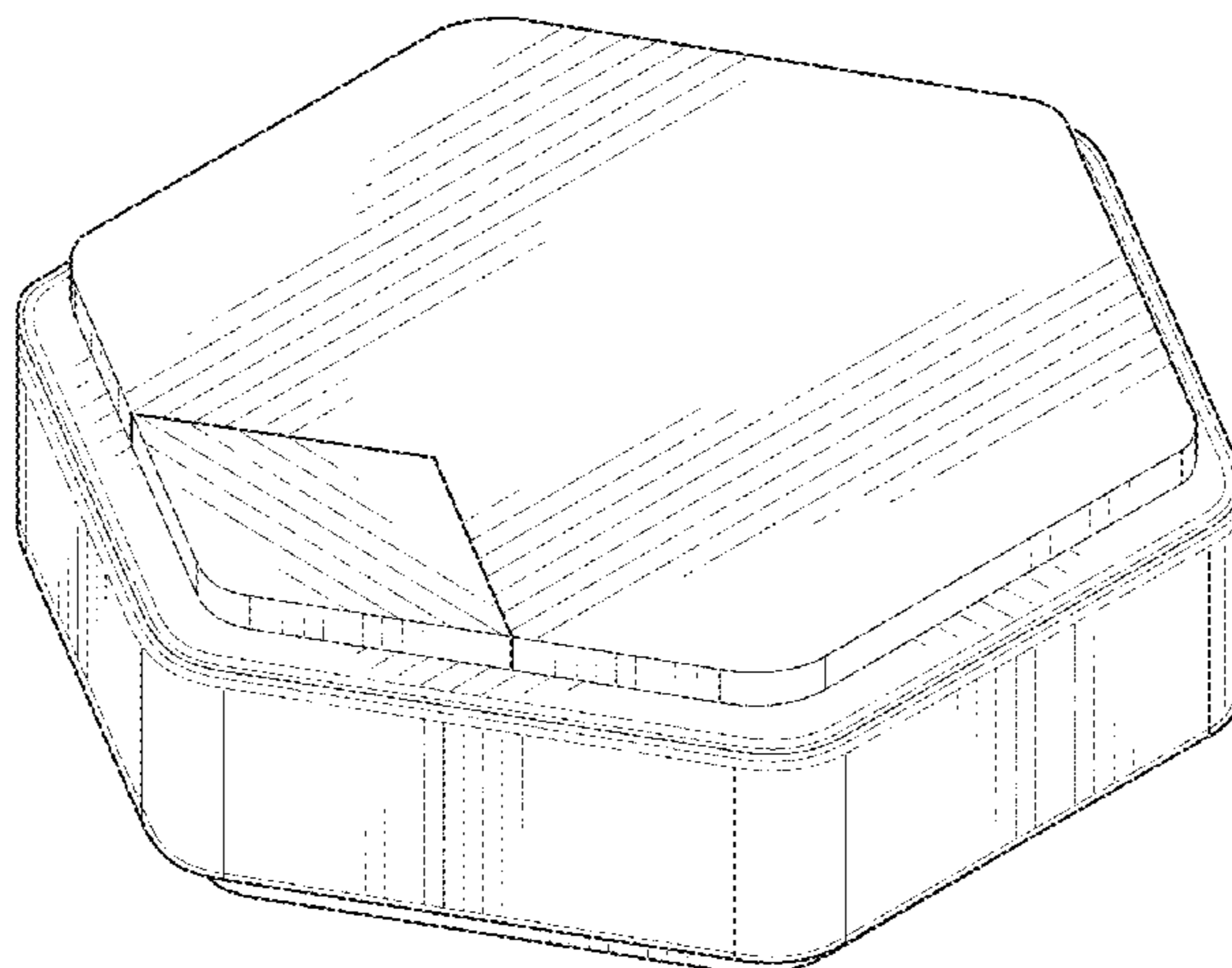
(57) **CLAIM**

The ornamental design for a wearable electronic device, as shown and described.

DESCRIPTION

FIG. 1 is a top plan view of a wearable electronic device showing our new design;
FIG. 2 is a bottom plan view thereof;
FIG. 3 is a front elevational view thereof;
FIG. 4 is a left side elevational view thereof, the right side being a mirror image; and,
FIG. 5 is a perspective view thereof.

1 Claim, 5 Drawing Sheets



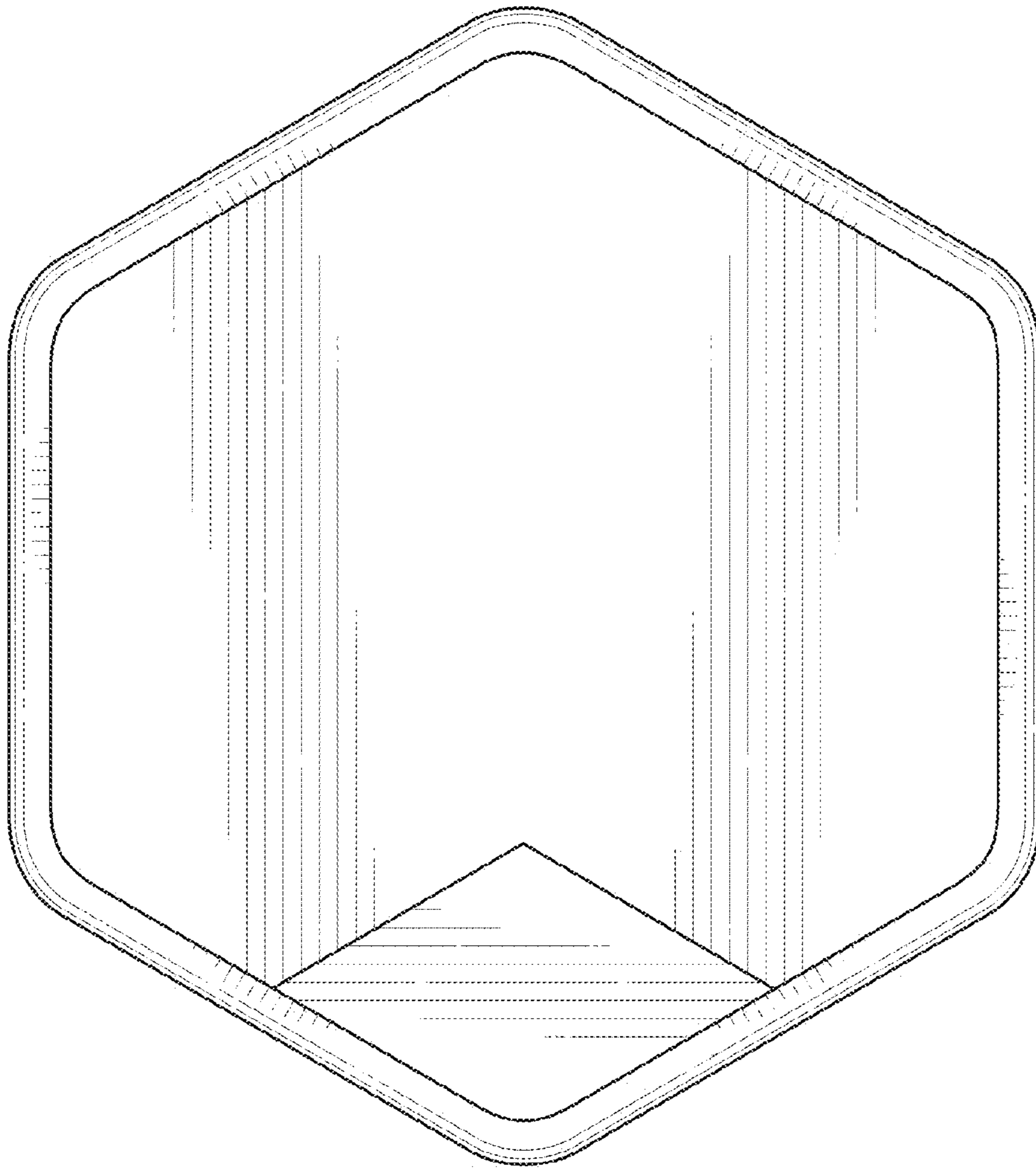


FIG. 1

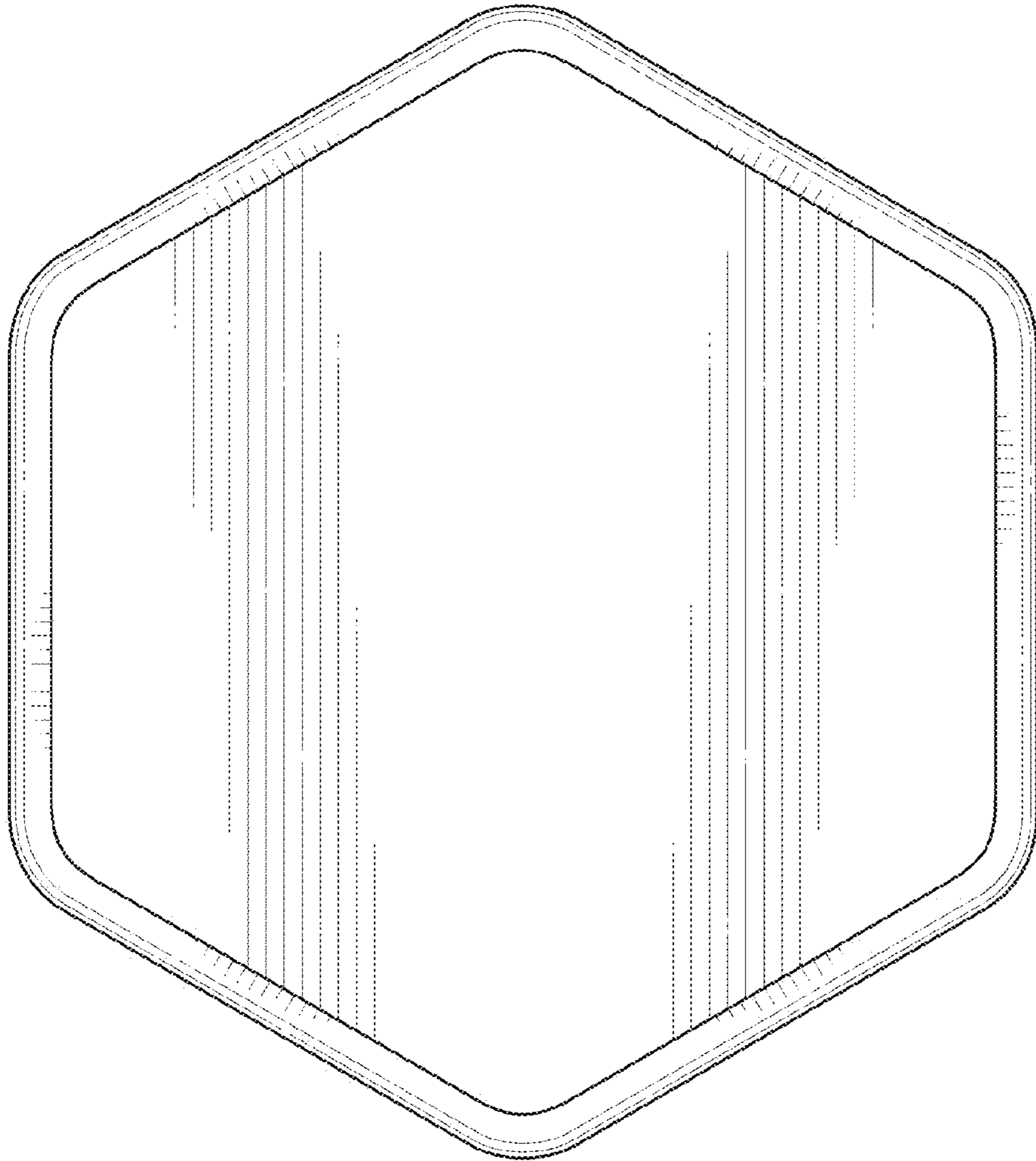


FIG. 2

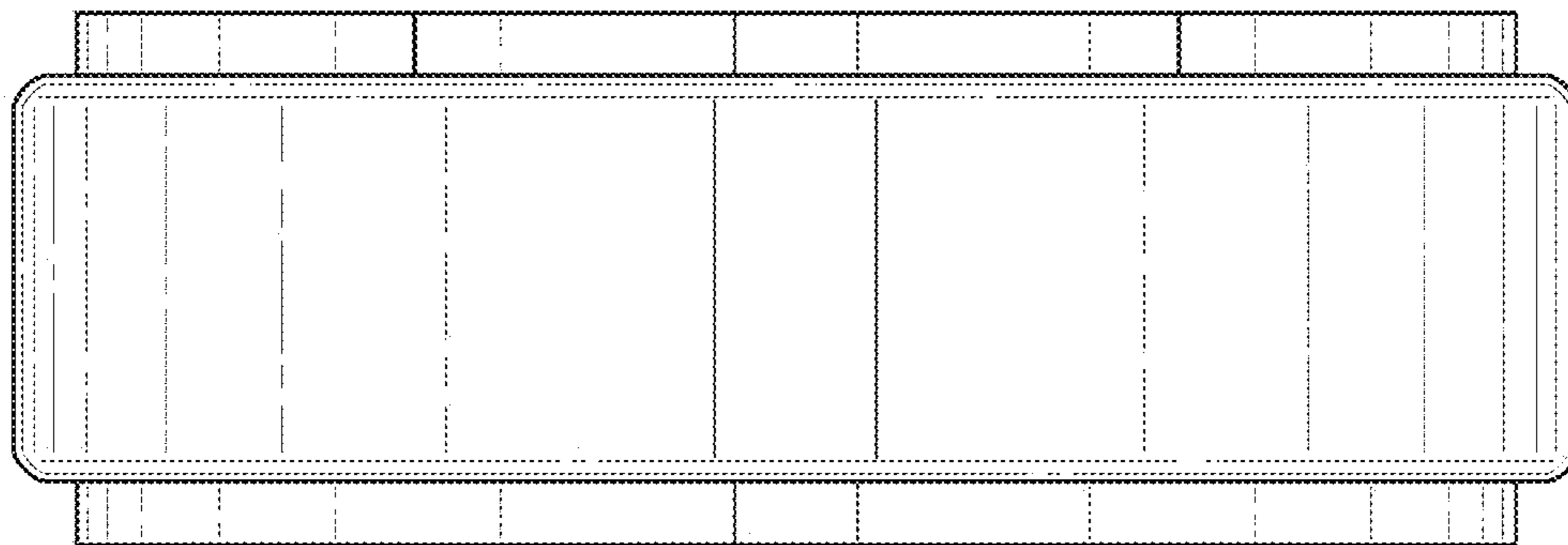


FIG. 3

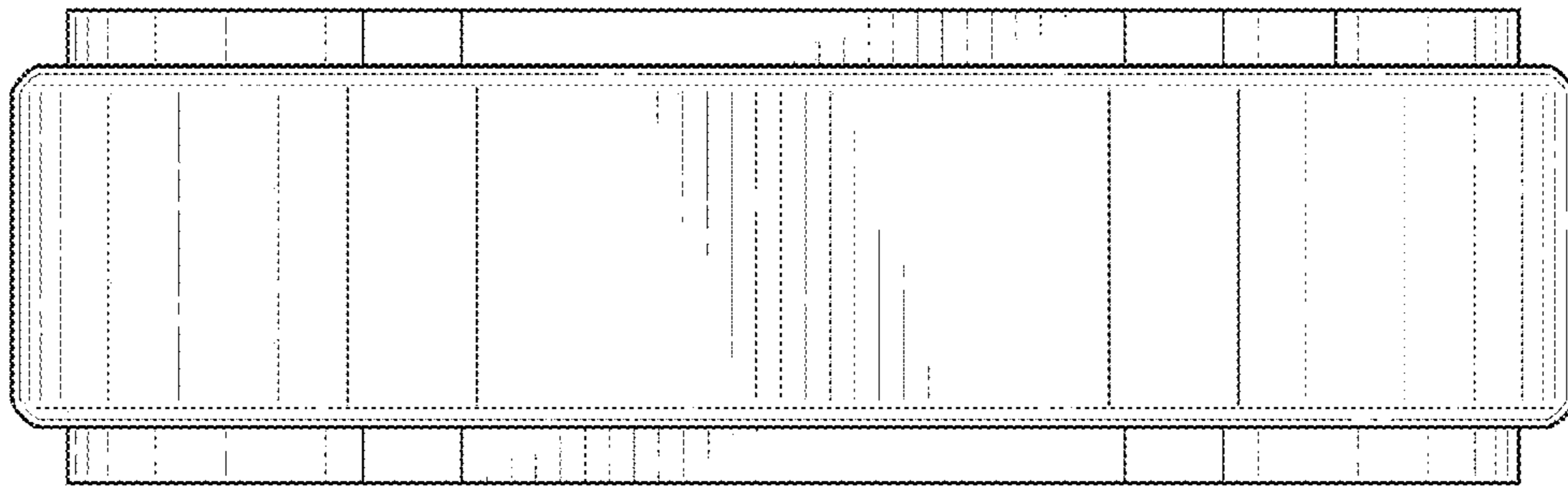


FIG. 4

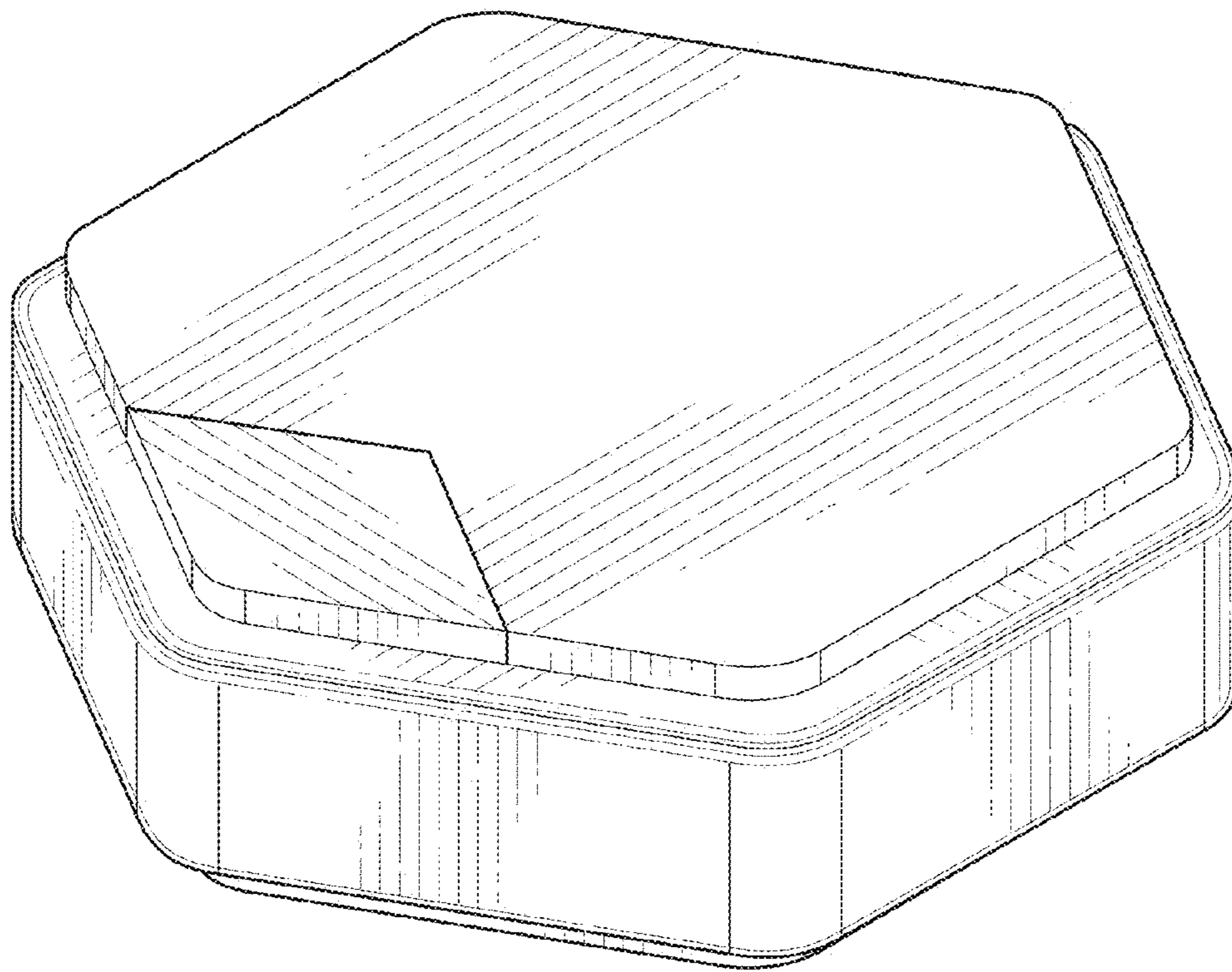


FIG. 5

UNITED STATES PATENT AND TRADEMARK OFFICE
CERTIFICATE OF CORRECTION

PATENT NO. : D757,000 S
APPLICATION NO. : 29/502519
DATED : May 24, 2016
INVENTOR(S) : Luca Lagomarsino et al.

Page 1 of 1

It is certified that error appears in the above-identified patent and that said Letters Patent is hereby corrected as shown below:

TITLE PAGE:

Item (73): --CIRCKE-- to read: --CIRCLE--

Signed and Sealed this
Sixth Day of December, 2016



Michelle K. Lee
Director of the United States Patent and Trademark Office