



US00D756998S

(12) **United States Design Patent**
Suzuki et al.

(10) **Patent No.:** **US D756,998 S**
(45) **Date of Patent:** **** May 24, 2016**

(54) **PORTABLE COMPUTER**

(56) **References Cited**

(71) Applicant: **Panasonic Intellectual Property Management Co., Ltd., Osaka (JP)**

U.S. PATENT DOCUMENTS

(72) Inventors: **So Suzuki, Osaka (JP); Katsuhiko Kitade, Osaka (JP); Takashi Tsukahara, Osaka (JP)**

D533,552 S	*	12/2006	Kuroiwa	D14/346
D602,487 S	*	10/2009	Maskatia	D14/341
D617,322 S	*	6/2010	Takemasa	D14/346
D656,935 S	*	4/2012	Jones	D14/341
D672,767 S	*	12/2012	Yoneya	D14/341
D688,240 S	*	8/2013	Wesolek	D14/341
D703,665 S	*	4/2014	Suzuki	D14/341
D719,151 S	*	12/2014	Hirayama	D14/341

(73) Assignee: **Panasonic Intellectual Property Management Co., Ltd., Osaka (JP)**

* cited by examiner

(**) Term: **14 Years**

Primary Examiner — Freda S Nunn

(21) Appl. No.: **29/523,918**

(74) *Attorney, Agent, or Firm* — Panasonic Patent Center

(22) Filed: **Apr. 15, 2015**

(30) **Foreign Application Priority Data**

(57) **CLAIM**

We claim the ornamental design for a portable computer, as shown and described.

Oct. 20, 2014 (JP) 2014-023410

(51) **LOC (10) Cl.** **14-02**

DESCRIPTION

(52) **U.S. Cl.**

USPC **D14/341**

(58) **Field of Classification Search**

USPC D14/315-327; D18/1, 2, 7, 11; 235/145 A, 145 R; 341/22, 23; 345/104, 345/156, 168, 169, 173; 361/679.08, 361/679.09, 679.11, 679.26, 679.27

CPC G06F 1/16; G06F 1/1616; G06F 1/1626; G06F 1/1632; G06F 1/1613; G06F 1/1601; G06F 1/1618; G06F 1/162; G06F 1/166; G06F 1/1654; G06F 1/1681; G06F 1/1637; G06F 1/1688; G06F 1/1656; H01R 35/02; H03M 11/00; G09B 13/04; H03K 17/94; G09G 5/00; F16M 11/10; H05K 5/00; H04M 1/0237

FIG. 1 is a front perspective view of a portable computer of the present invention;
FIG. 2 is a rear perspective view thereof;
FIG. 3 is a front view thereof;
FIG. 4 is a rear view thereof;
FIG. 5 is a first side view thereof;
FIG. 6 is a second side view thereof;
FIG. 7 is a top view thereof;
FIG. 8 is a bottom view thereof; and,
FIG. 9 is an end view taken along the line 9-9 in FIG. 3.
The broken line showing of portable computer is included for the purpose of illustrating environment and forms no part of the claimed design.

See application file for complete search history.

1 Claim, 9 Drawing Sheets

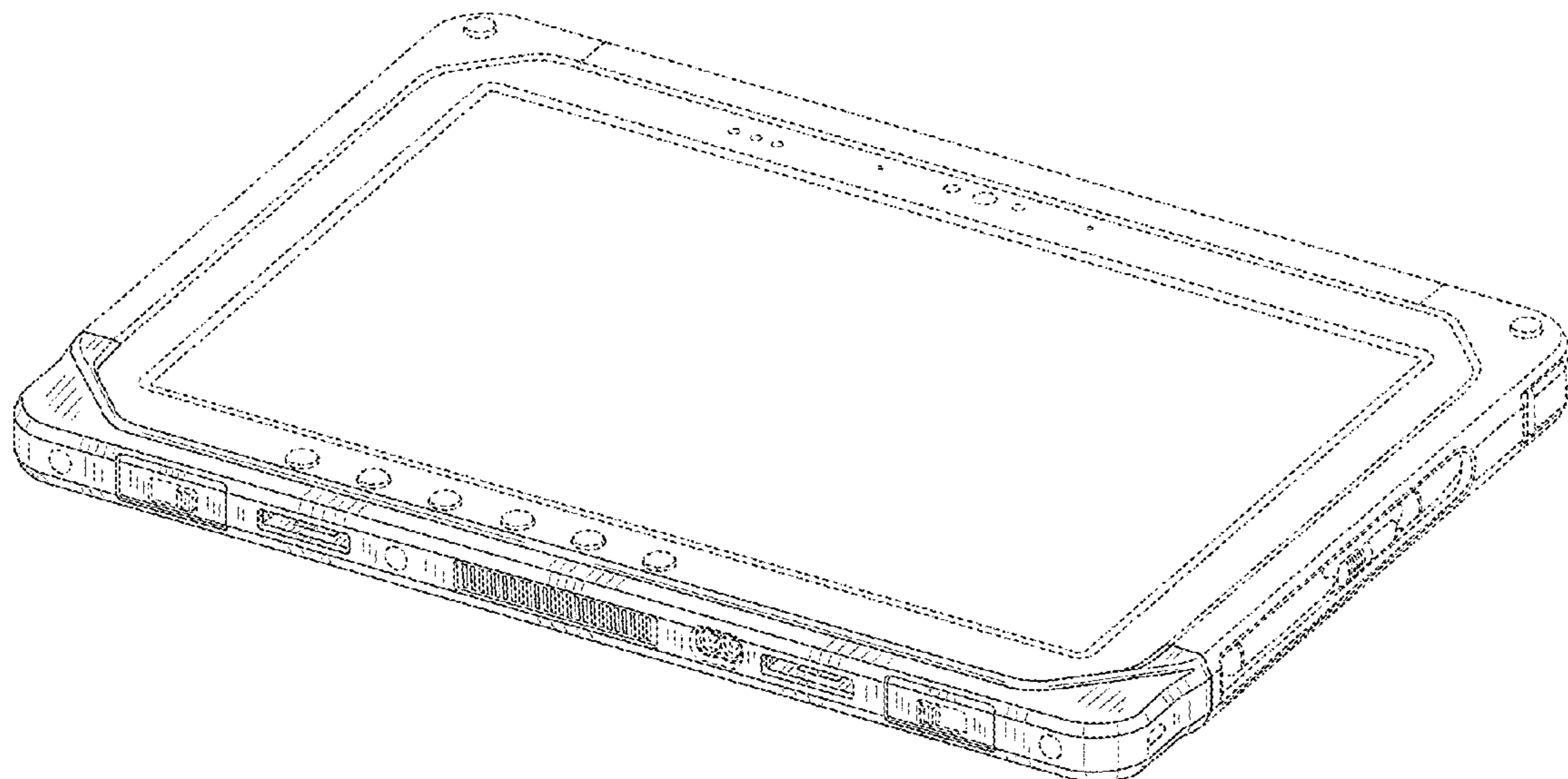


FIG. 1

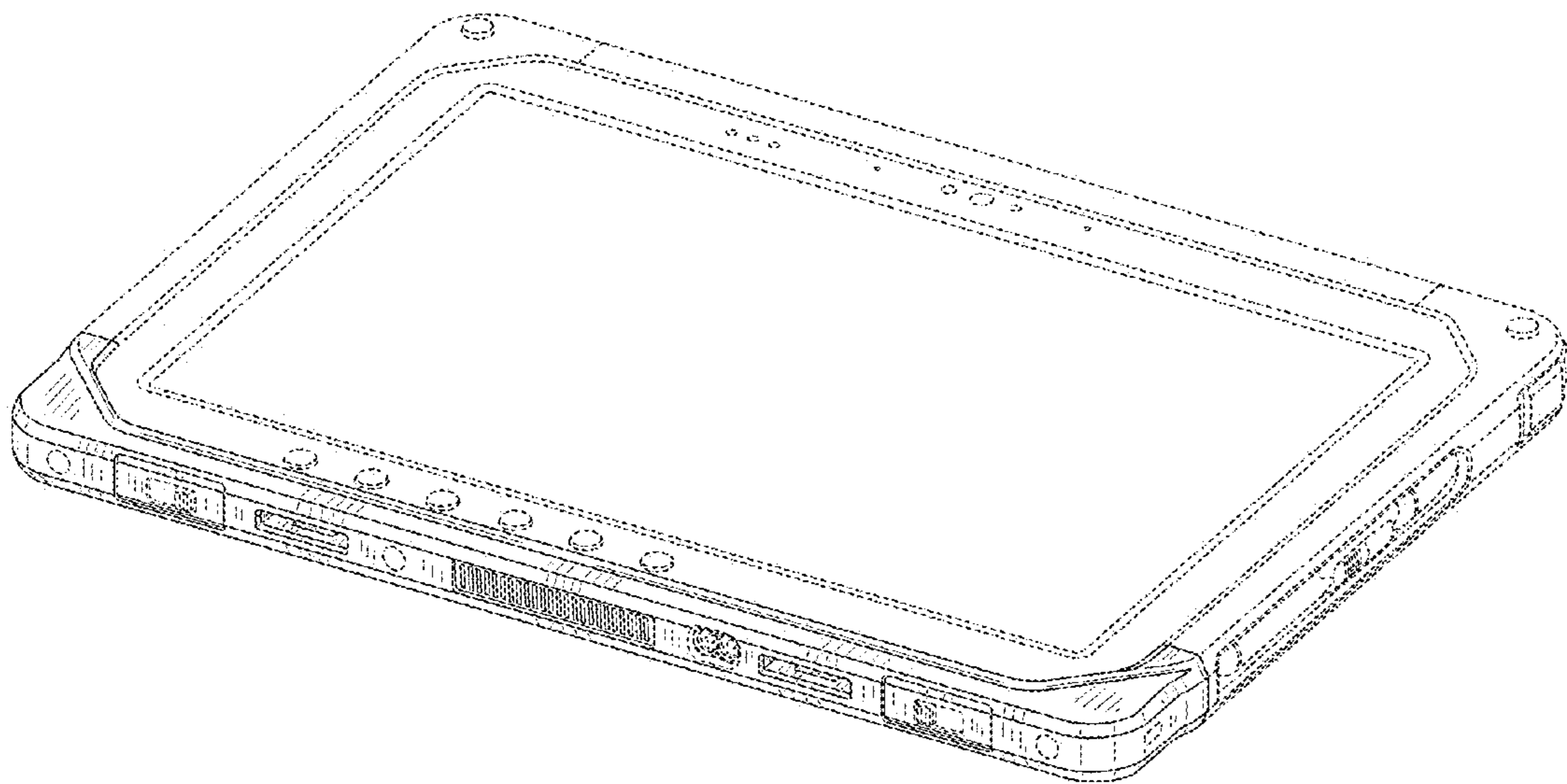


FIG. 2

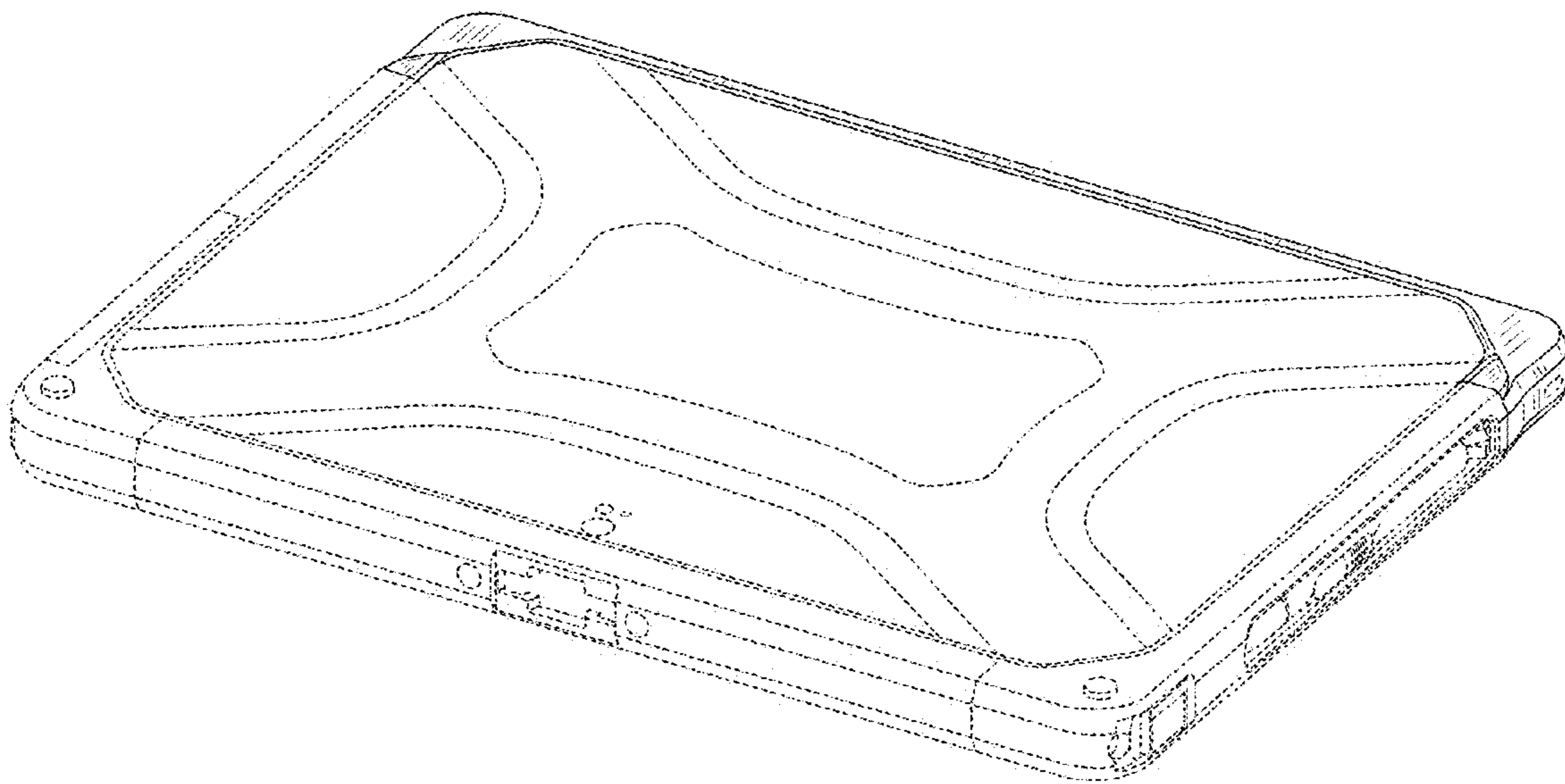


FIG. 3

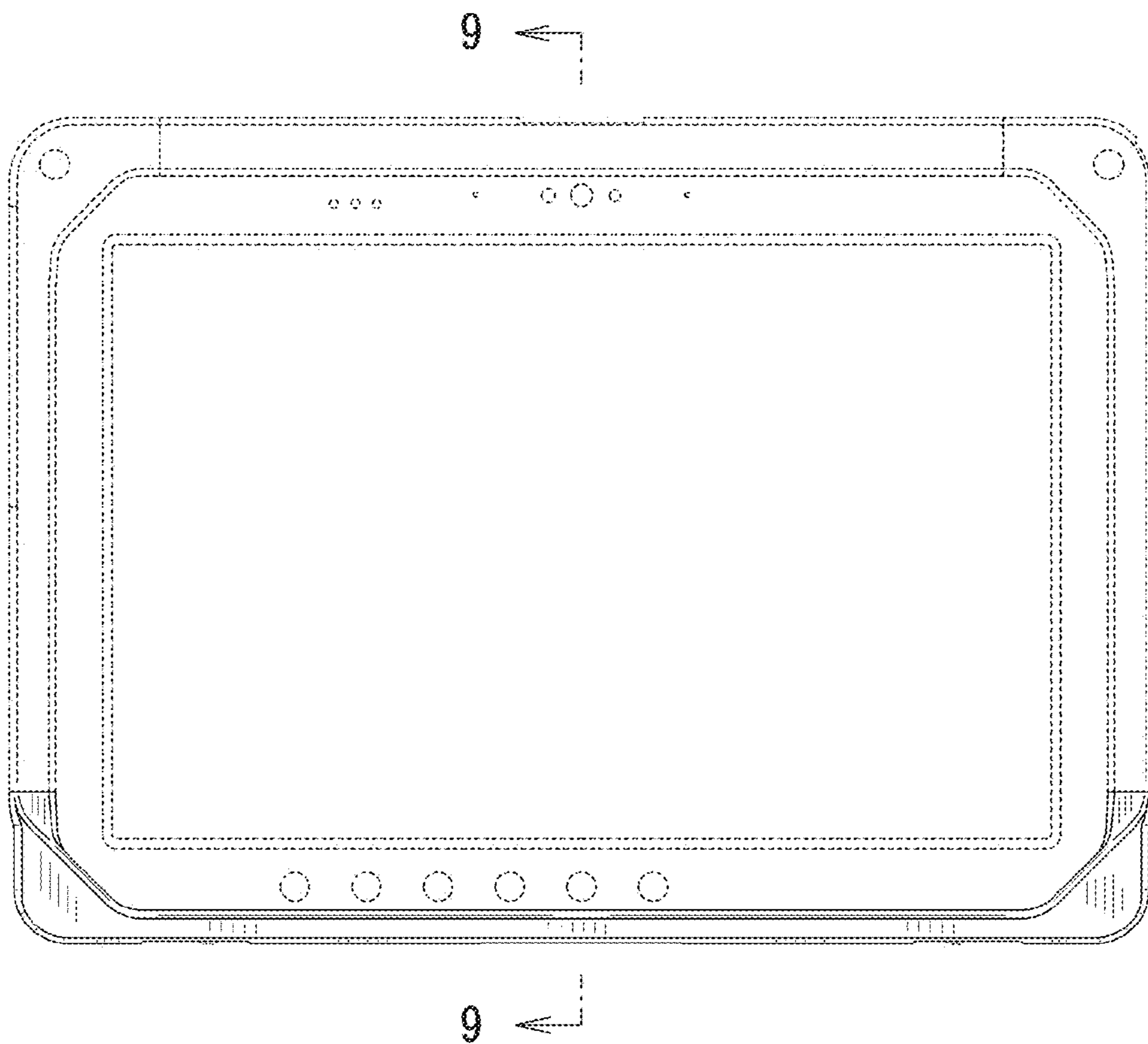


FIG. 4

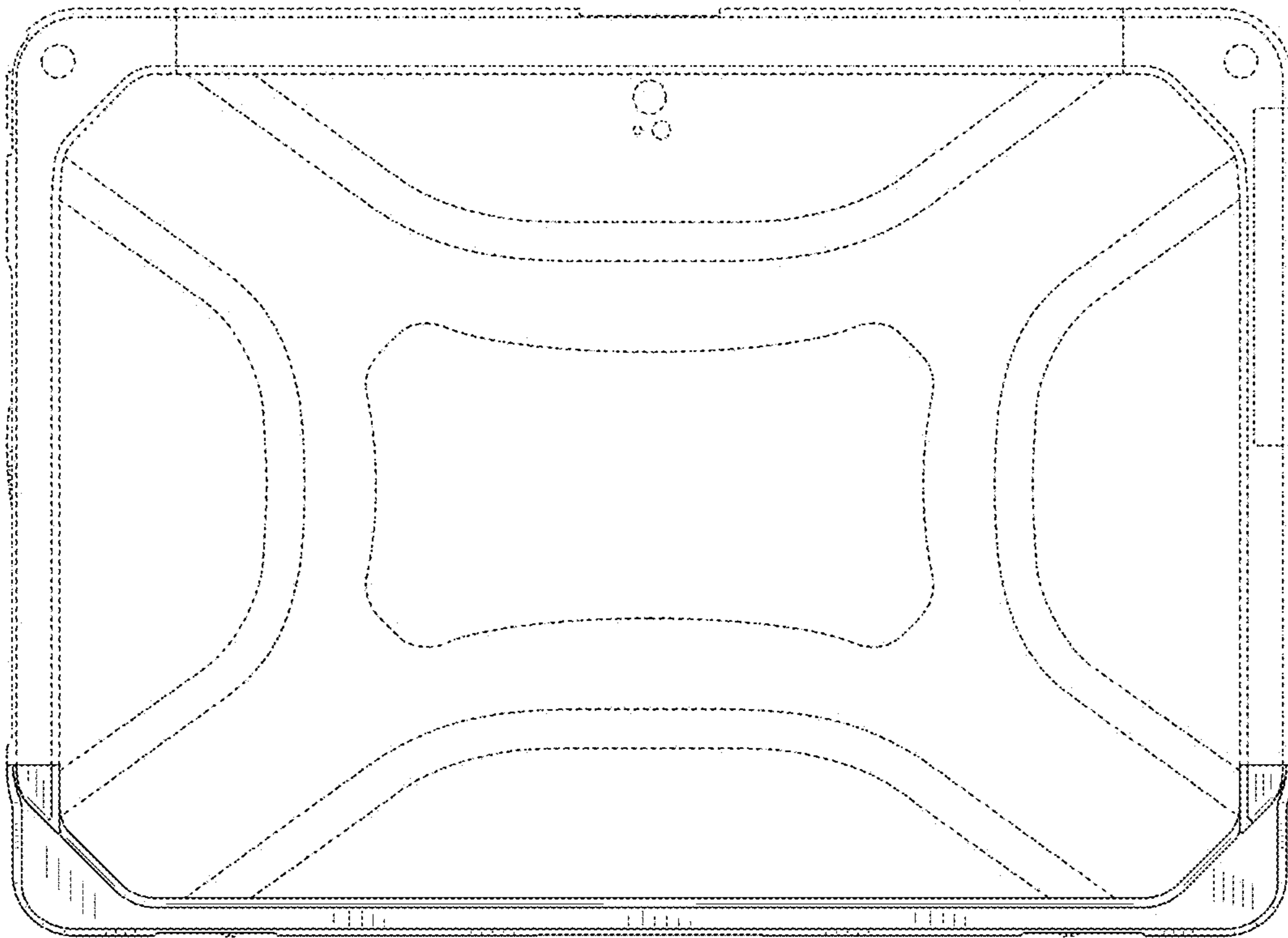


FIG. 5

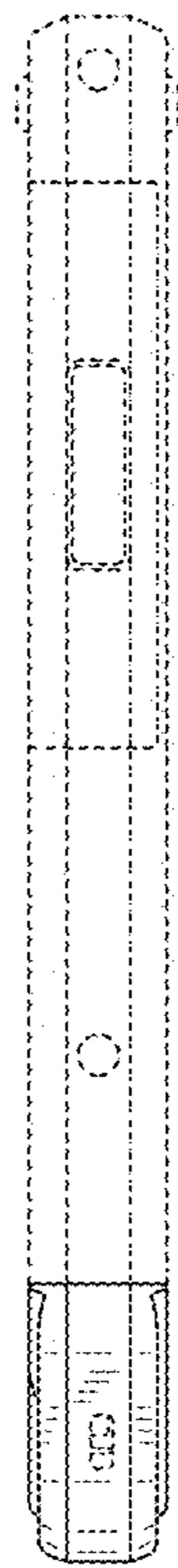


FIG. 6

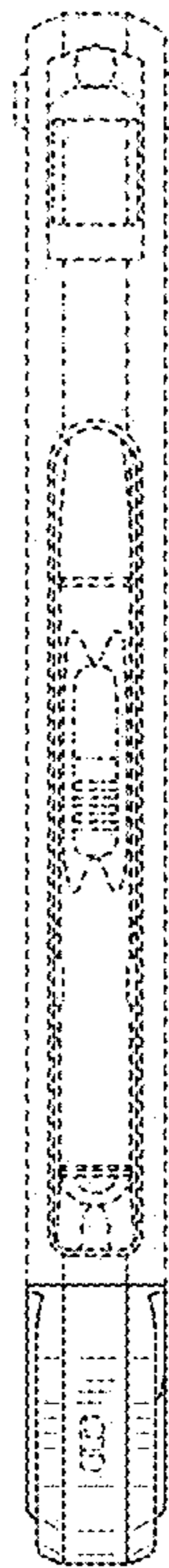


FIG. 7

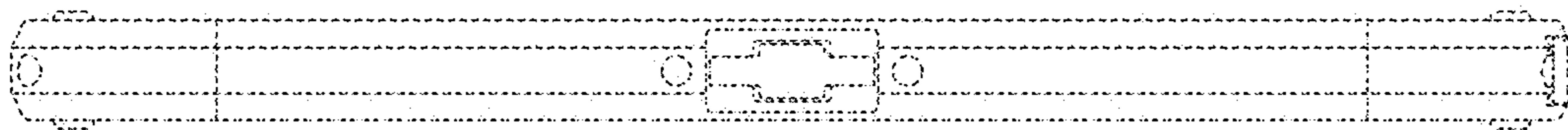


FIG. 8

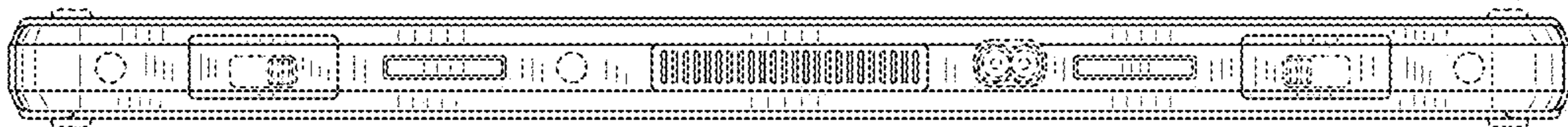


FIG. 9

