



US00D756997S

(12) **United States Design Patent**  
**Lai et al.**

(10) **Patent No.:** **US D756,997 S**  
(45) **Date of Patent:** **\*\* May 24, 2016**

(54) **TABLET PERSONAL COMPUTER**  
(71) Applicant: **HON HAI PRECISION INDUSTRY CO., LTD.,** New Taipei (TW)  
(72) Inventors: **Yi-Chun Lai,** New Taipei (TW);  
**Yu-Shuang Wang,** AnQiu (CN)  
(73) Assignee: **HON HAI PRECISION INDUSTRY CO., LTD.,** New Taipei (TW)  
(\*\*) Term: **14 Years**  
(21) Appl. No.: **29/504,977**  
(22) Filed: **Oct. 10, 2014**

D638,814 S \* 5/2011 Sutherland ..... D14/138 G  
D640,663 S \* 6/2011 Arnholt ..... D14/138 G  
D645,833 S \* 9/2011 Seflic ..... D14/138 G  
D649,968 S \* 12/2011 Li ..... D14/341  
D666,198 S \* 8/2012 Van Den  
Nieuwenhuizen ..... D14/341  
D667,006 S \* 9/2012 Van Den  
Nieuwenhuizen ..... D14/341  
D669,469 S \* 10/2012 Kang ..... D14/341  
D672,344 S \* 12/2012 Li ..... D14/341  
D681,632 S \* 5/2013 Akana ..... D14/341  
D686,626 S \* 7/2013 Tan ..... D14/440  
D696,221 S \* 12/2013 Lee ..... D14/138 G  
D698,785 S \* 2/2014 Canizares ..... D14/341  
D705,779 S \* 5/2014 Akana ..... D14/341  
D710,349 S \* 8/2014 Han ..... D14/341  
D713,367 S \* 9/2014 Kim ..... D14/138 G  
D715,794 S \* 10/2014 Zhou ..... D14/341  
D716,293 S \* 10/2014 Hwang ..... D14/341

(30) **Foreign Application Priority Data**  
Sep. 25, 2014 (CN) ..... 2014 3 0358234

\* cited by examiner

(51) **LOC (10) Cl.** ..... **14-02**  
(52) **U.S. Cl.**  
USPC ..... **D14/341**

*Primary Examiner* — George D Kirschbaum

*Assistant Examiner* — Clese Moore, Jr.

(74) *Attorney, Agent, or Firm* — Novak Druce Connolly  
Bove + Quigg LLP

(58) **Field of Classification Search**  
USPC ..... D14/341–347, 137, 138 R, 138 AA,  
D14/138 C, 138 G, 496, 203.1, 203.3, 203.4,  
D14/203.7, 129, 130, 147, 218, 247, 248,  
D14/250, 374, 371, 385, 388, 389, 315–318,  
D14/420, 426, 439, 440; D21/324, 329,  
D21/332; D10/104.1  
CPC ..... H04M 1/0202; H04M 1/0279; H04M  
1/0281; H04M 1/0283; H04M 1/0214; H04M  
1/72544; H04M 1/72552; G06F 1/1613;  
G06F 1/1624; G06F 1/1626; G06F 1/165;  
G06F 3/0485; G06F 3/0488  
See application file for complete search history.

(57) **CLAIM**

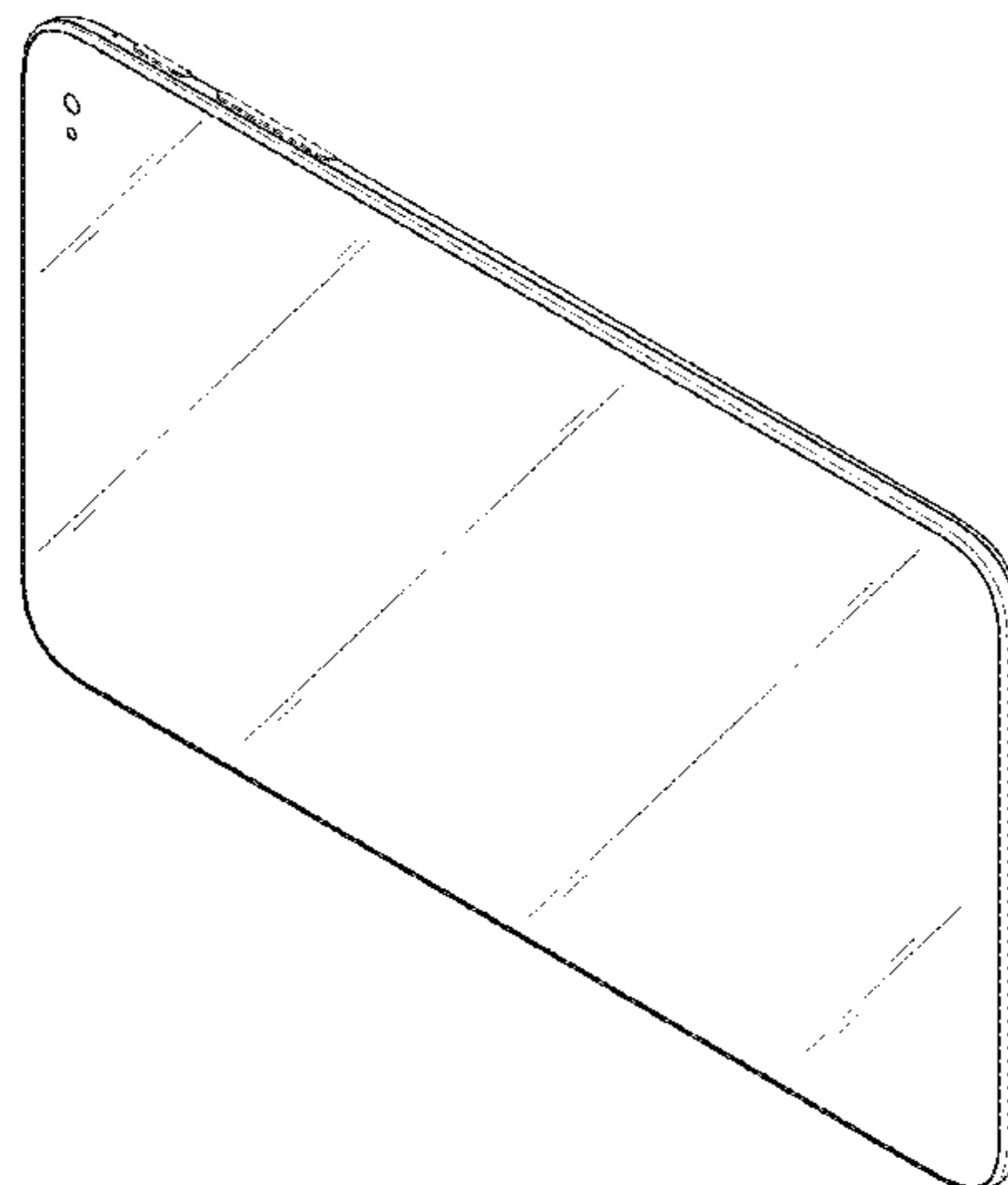
The ornamental design for a tablet personal computer, as shown and described.

**DESCRIPTION**

FIG. 1 is a perspective view of a tablet personal computer;  
FIG. 2 is a front elevational view thereof;  
FIG. 3 is a rear elevational view thereof;  
FIG. 4 is a left side elevational view thereof;  
FIG. 5 is a right side elevational view thereof;  
FIG. 6 is a top plan view thereof; and,  
FIG. 7 is a bottom plan view thereof.  
The broken lines illustrate portions of the tablet personal computer and forms no part of the claimed design.

(56) **References Cited**  
U.S. PATENT DOCUMENTS  
D626,437 S \* 11/2010 Lee ..... D10/65  
D627,778 S \* 11/2010 Akana ..... D14/341

**1 Claim, 7 Drawing Sheets**



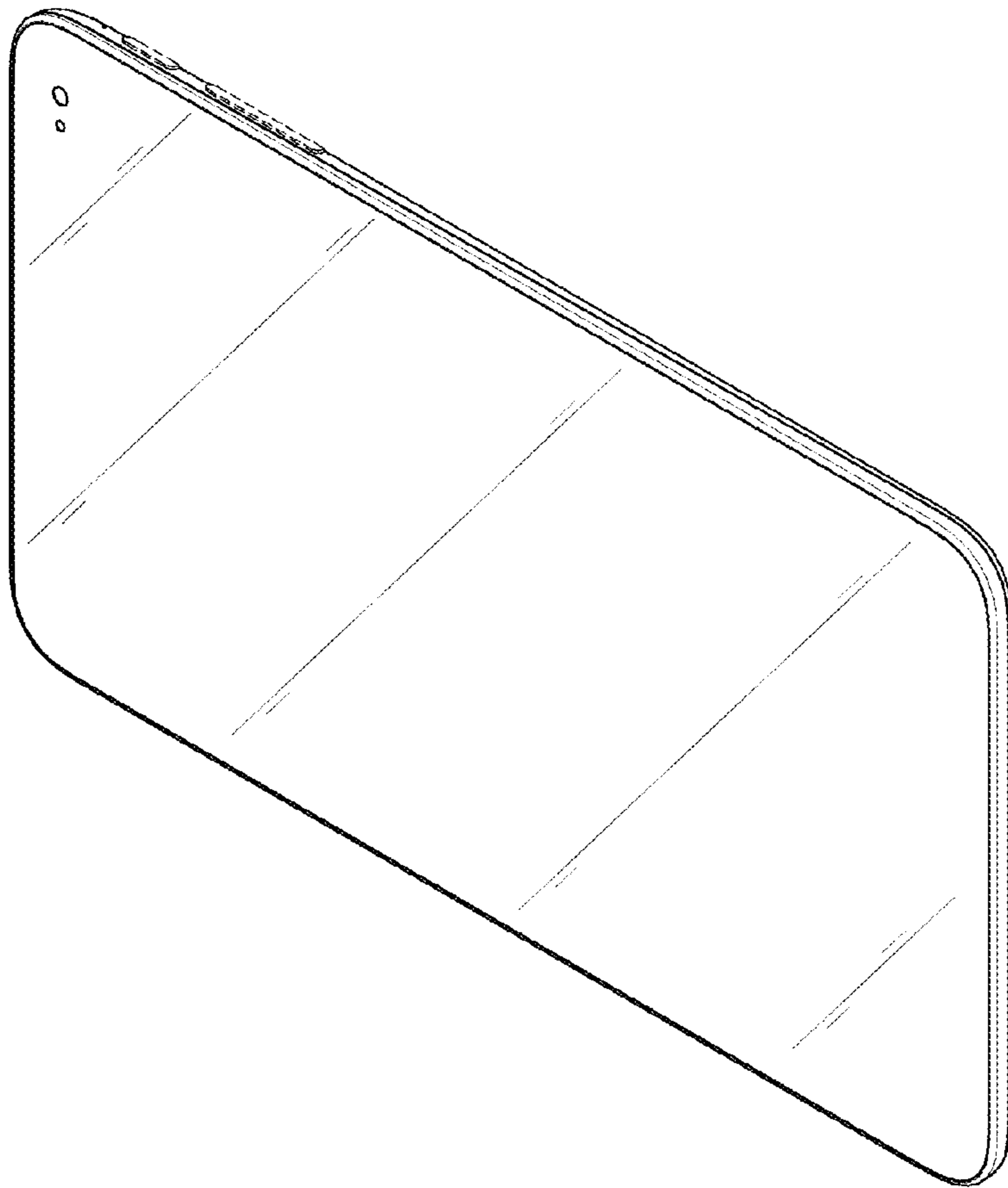


FIG. 1

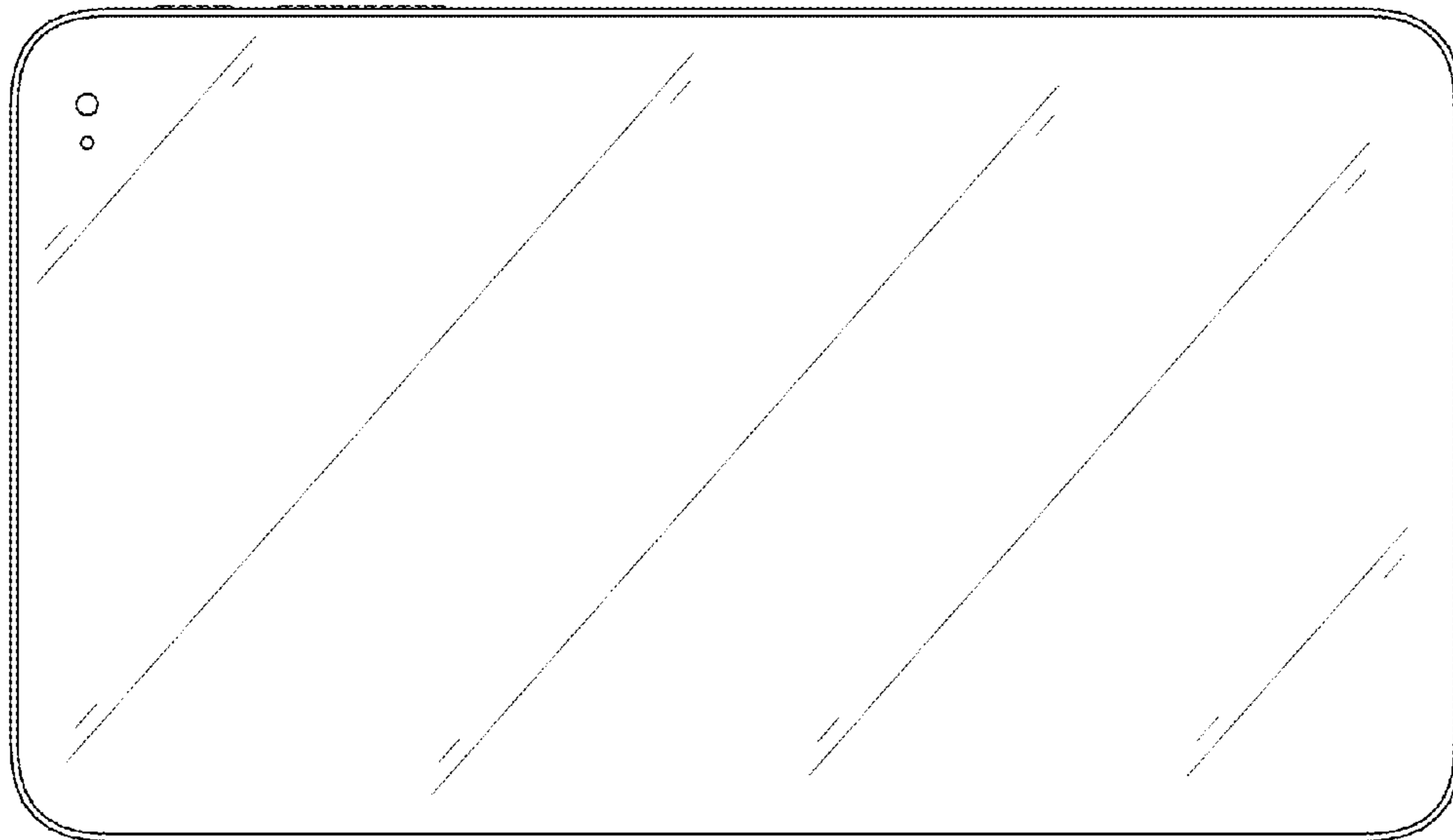


FIG. 2

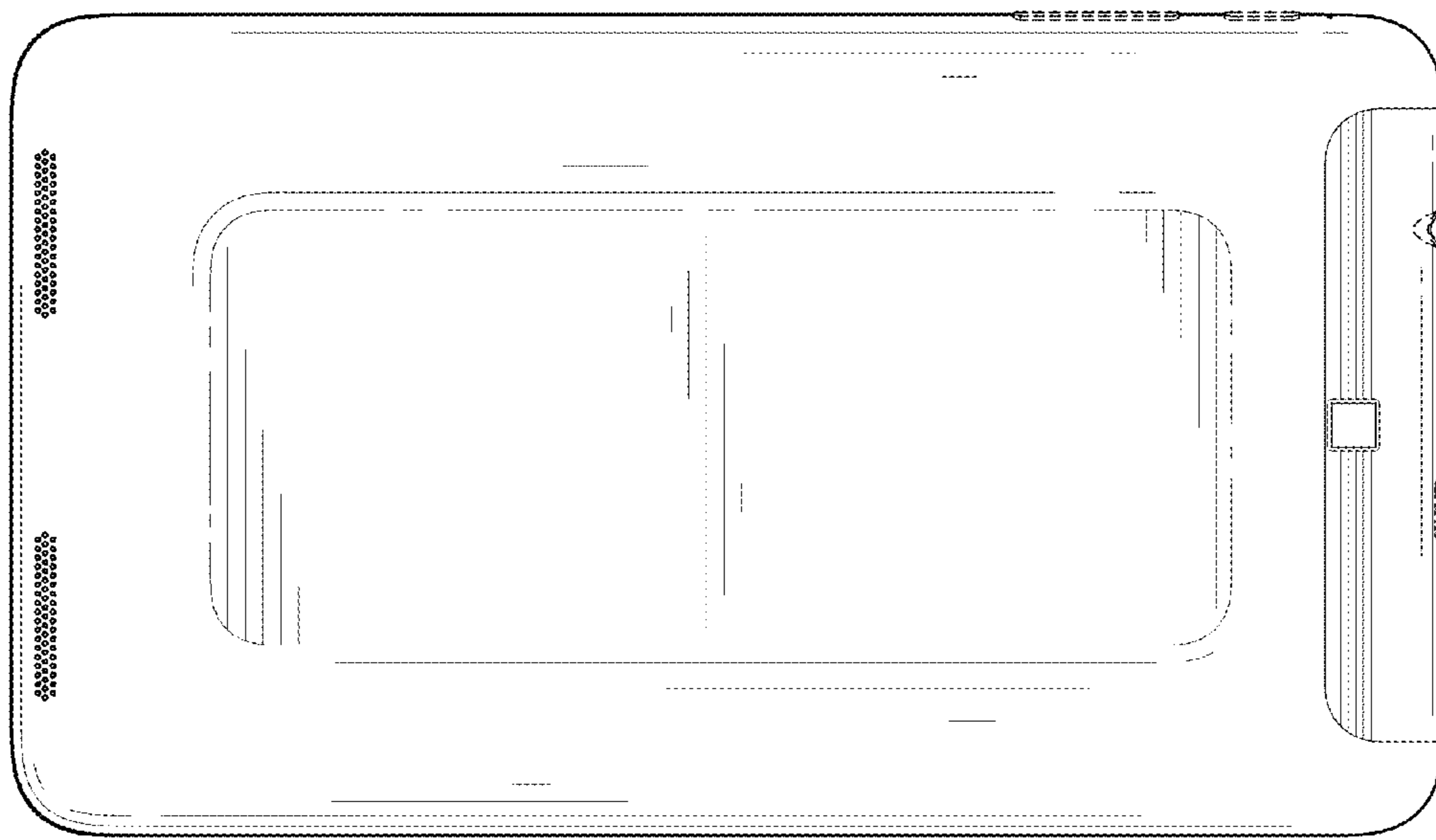


FIG. 3



FIG. 4

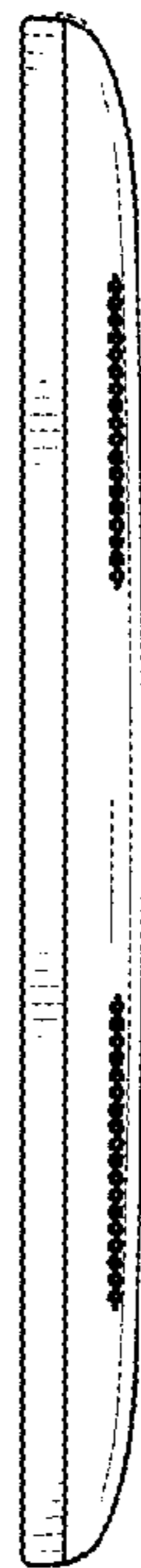


FIG. 5

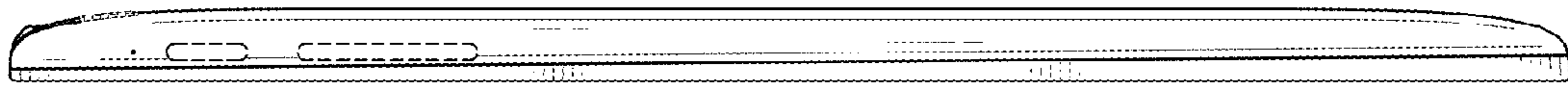


FIG. 6

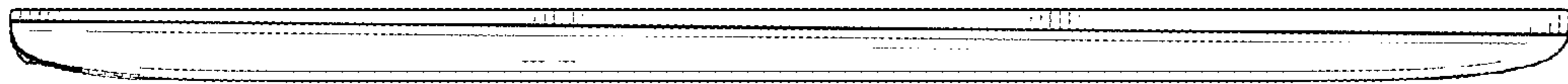


FIG. 7