



US00D756996S

(12) **United States Design Patent**  
**Akana et al.**

(10) **Patent No.:** **US D756,996 S**  
(45) **Date of Patent:** **\*\* May 24, 2016**

(54) **ELECTRONIC DEVICE WITH GRAPHICAL USER INTERFACE**

361/679.26, 679.27, 679.3, 679.55,  
361/679.56, 680-686; 248/917-924;  
348/373, 376; D19/60

(71) Applicant: **Apple Inc.**, Cupertino, CA (US)

See application file for complete search history.

(72) Inventors: **Jody Akana**, San Francisco, CA (US);  
**Bartley K. Andre**, Palo Alto, CA (US);  
**Jeremy Bataillou**, San Francisco, CA (US);  
**Jesse Boettcher**, San Jose, CA (US);  
**Daniel J. Coster**, San Francisco, CA (US);  
**Anton Davydov**, Gilroy, CA (US);  
**Daniele De Iuliis**, San Francisco, CA (US);  
**M. Evans Hankey**, San Francisco, CA (US);  
**Julian Hoenig**, San Francisco, CA (US);  
**Richard P. Howarth**, San Francisco, CA (US);  
**Jonathan P. Ive**, San Francisco, CA (US);  
**Duncan Robert Kerr**, San Francisco, CA (US);  
**Shin Nishibori**, Kailua, HI (US);  
**Matthew Dean Rohrbach**, San Francisco, CA (US);  
**Peter Russell-Clarke**, San Francisco, CA (US);  
**Mikael Silvanto**, San Francisco, CA (US);  
**Christopher J. Stringer**, Woodside, CA (US);  
**Eugene Antony Whang**, San Francisco, CA (US);  
**Rico Zörkendörfer**, San Francisco, CA (US)

(56)

**References Cited**

U.S. PATENT DOCUMENTS  
D270,062 S 8/1983 Ackeret  
D306,519 S \* 3/1990 Nakata ..... D3/206

(Continued)

FOREIGN PATENT DOCUMENTS  
CN 3513646 3/2006  
CN 3543434 7/2006

(Continued)

OTHER PUBLICATIONS  
Hilon LG DMB MP3 FM35, posted Jun. 26, 2006, [online],  
[retrieved on Dec. 26, 2008], Retrieved from Internet, <URL: http://  
hilon.com/cn/autobak/a8810005549\_3>.

(Continued)

*Primary Examiner* — Barbara Fox  
(74) *Attorney, Agent, or Firm* — Sterne, Kessler, Goldstein  
& Fox P.L.L.C.

(57)

**CLAIM**

The ornamental design for an electronic device with graphical user interface, as shown and described.

**DESCRIPTION**

FIG. 1 is a bottom front perspective view of an electronic device with graphical user interface showing our new design; FIG. 2 is a bottom rear perspective view thereof; FIG. 3 is a top front perspective view thereof; FIG. 4 is a top rear perspective view thereof; FIG. 5 is a front view thereof; FIG. 6 is a rear view thereof; FIG. 7 is a top view thereof; FIG. 8 is a bottom view thereof; FIG. 9 is a left side view thereof; and, FIG. 10 is a right side view thereof.

The broken lines in the Figures show portions of the electronic device and portions of the graphical user interface that form no part of the claimed design. The Figures are illustrated to show contrasting appearance. The housing of the electronic device and portions of the graphical user interface are one appearance, and the area in between the two is another.

**1 Claim, 6 Drawing Sheets**

(73) Assignee: **Apple Inc.**, Cupertino, CA (US)

(\*\*) Term: **14 Years**

(21) Appl. No.: **29/492,495**

(22) Filed: **May 30, 2014**

**Related U.S. Application Data**

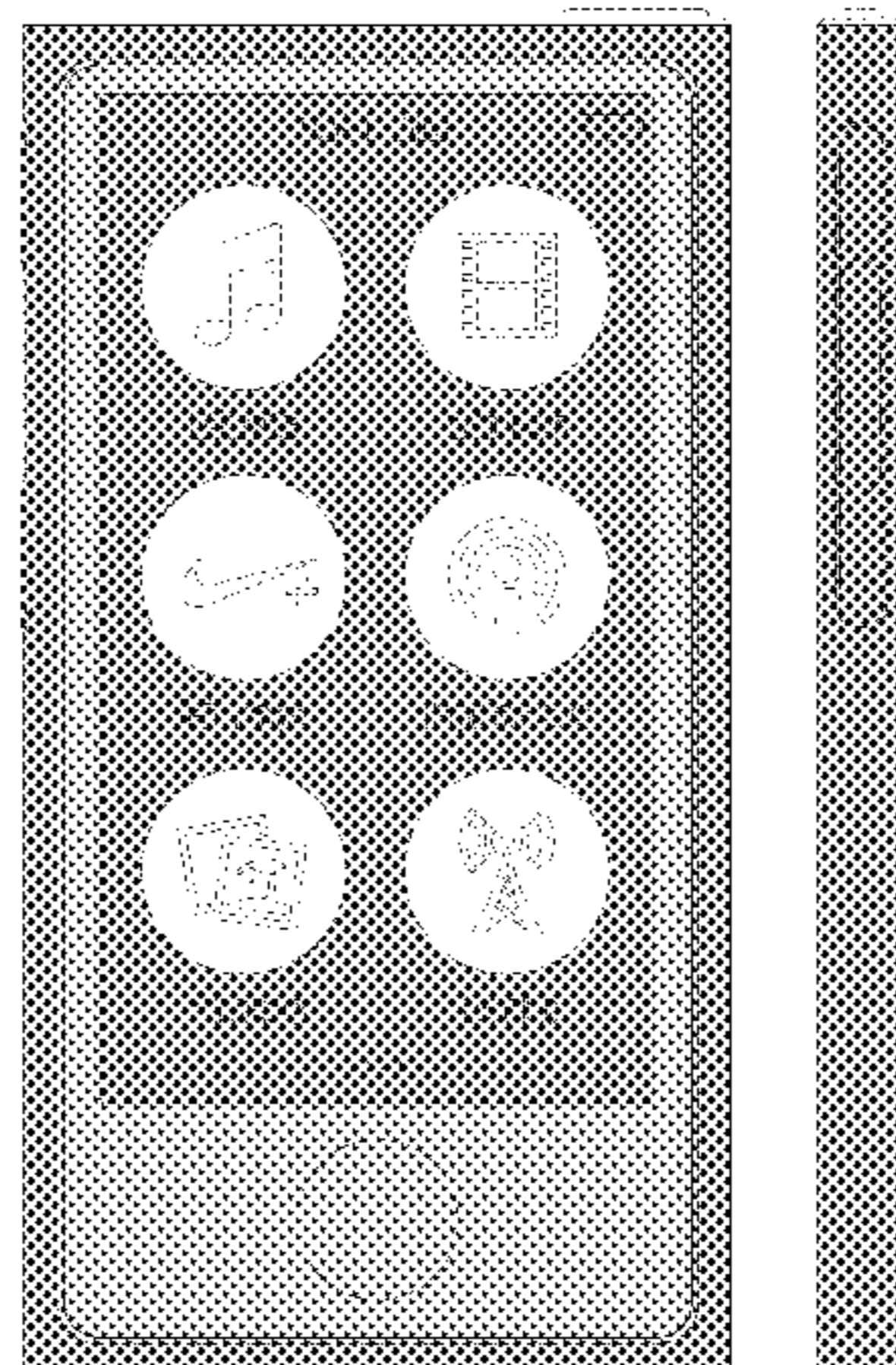
(63) Continuation of application No. 29/432,032, filed on Sep. 12, 2012, now Pat. No. Des. 706,302.

(51) **LOC (10) Cl.** ..... **14-02**

(52) **U.S. Cl.**  
USPC ..... **D14/341; D14/486**

(58) **Field of Classification Search**

USPC ..... D14/341-347, 137, 138 AA, 138 R,  
D14/138 C, 138 G, 496, 203.1, 203.3, 203.4,  
D14/203.7, 129, 130, 420, 426, 147, 218,  
D14/247-248, 389, 388, 315-318, 486, 488,  
D14/489; D10/65, 104.1; D18/6-7;  
D21/324, 329, 330; 455/556.1, 556.2,  
455/566, 575.1, 90.3; 379/433.04, 433.01,  
379/433.06, 916; 345/173, 901, 905;



(56)

References Cited

U.S. PATENT DOCUMENTS

6,122,526 A 9/2000 Parulski et al.  
 D441,735 S 5/2001 Katayama  
 D541,296 S \* 4/2007 Kim ..... D14/496  
 D543,553 S \* 5/2007 Langberg ..... D14/496  
 D551,680 S 9/2007 Andre et al.  
 D558,758 S 1/2008 Andre et al.  
 D560,683 S 1/2008 Lee  
 D563,432 S 3/2008 Kim  
 D565,596 S 4/2008 Kim  
 D568,338 S 5/2008 Andre et al.  
 D570,876 S \* 6/2008 Lee ..... D14/496  
 D574,014 S \* 7/2008 Dai ..... D14/496  
 D580,953 S 11/2008 Andre et al.  
 D585,077 S \* 1/2009 Sheba ..... D14/434  
 D592,677 S \* 5/2009 Sheba ..... D14/434  
 D593,087 S 5/2009 Andre et al.  
 D595,339 S \* 6/2009 Oas ..... D18/7  
 D597,090 S \* 7/2009 Bemelmans ..... D14/341  
 D597,558 S 8/2009 Andre et al.  
 D604,713 S 11/2009 Andre et al.  
 D615,949 S 5/2010 Kim  
 D618,204 S 6/2010 Andre et al.  
 D618,678 S 6/2010 Andre et al.  
 D622,270 S 8/2010 Andre et al.  
 D622,720 S 8/2010 Andre et al.  
 D627,778 S 11/2010 Akana et al.  
 D631,458 S 1/2011 Liao et al.  
 D634,317 S \* 3/2011 Buckle ..... D14/341  
 D636,752 S 4/2011 Liao et al.  
 D638,030 S \* 5/2011 Akana ..... D14/203.3  
 D647,919 S \* 11/2011 Akana ..... D14/203.3  
 D652,403 S 1/2012 Fahlgren et al.  
 D656,496 S \* 3/2012 Andre ..... D14/341  
 D658,621 S 5/2012 Lylyk  
 D672,329 S 12/2012 Fahlgren et al.  
 D672,336 S 12/2012 Lister et al.  
 D673,926 S 1/2013 Fahlgren et al.  
 D675,176 S 1/2013 Aarras  
 D678,909 S \* 3/2013 Akana ..... D14/203.3

D681,056 S 4/2013 Akana et al.  
 D690,739 S \* 10/2013 Akana ..... D14/496  
 D691,176 S \* 10/2013 Andre ..... D14/496  
 D695,316 S \* 12/2013 Akana ..... D14/496  
 D697,507 S \* 1/2014 Yu ..... D14/341  
 D706,300 S 6/2014 Akana et al.  
 D706,301 S 6/2014 Akana et al.  
 D706,302 S 6/2014 Akana et al.  
 D720,755 S \* 1/2015 Nokuo ..... D14/433  
 D732,023 S \* 6/2015 Asao ..... D14/358  
 D734,362 S \* 7/2015 Akana ..... D14/496  
 D735,754 S \* 8/2015 Chaudhri ..... D14/488  
 2008/0004083 A1 1/2008 Ohki et al.

FOREIGN PATENT DOCUMENTS

CN	3562517	9/2006
CN	300738882	1/2008
EM	000569157-0005	9/2006
EM	001284566-0002	7/2011
EM	001340004-0002	8/2012
JP	2004-290256	10/2005

OTHER PUBLICATIONS

Hilon LG DMB MP3 FM35, posted Jun. 26, 2006, [online], [retrieved on Dec. 26, 2008], Retrieved from Internet, <URL: [http://hilon.com/cn/autobak/a8810005549\\_6](http://hilon.com/cn/autobak/a8810005549_6)>.  
 Hilon LG DMB MP3 FM35, posted Jun. 26, 2006, [online], [retrieved on Dec. 26, 2008], Retrieved from Internet, <URL: [http://hilon.com/cn/autobak/a8810005549\\_5](http://hilon.com/cn/autobak/a8810005549_5)>.  
 Hilon LG DMB MP3 FM35, posted Jun. 26, 2006, [online], [retrieved on Dec. 26, 2008], Retrieved from Internet, <URL: [http://hilon.com/cn/autobak/a8810005549\\_4](http://hilon.com/cn/autobak/a8810005549_4)>.  
 Hilon LG DMB MP3 FM35, posted Jun. 26, 2006, [online], [retrieved on Dec. 26, 2008], Retrieved from Internet, <URL: <http://hilon.com/cn/autobak/a8810005549>>.  
 "LG KE850 Prada." [http://www.gsmarena.com/lg\\_ke580\\_prada-1828.php](http://www.gsmarena.com/lg_ke580_prada-1828.php), downloaded Feb. 20, 2007. 4 pages.  
 Trademark Serial No. 85040770, Apple Inc., filed May 17, 2010.

\* cited by examiner

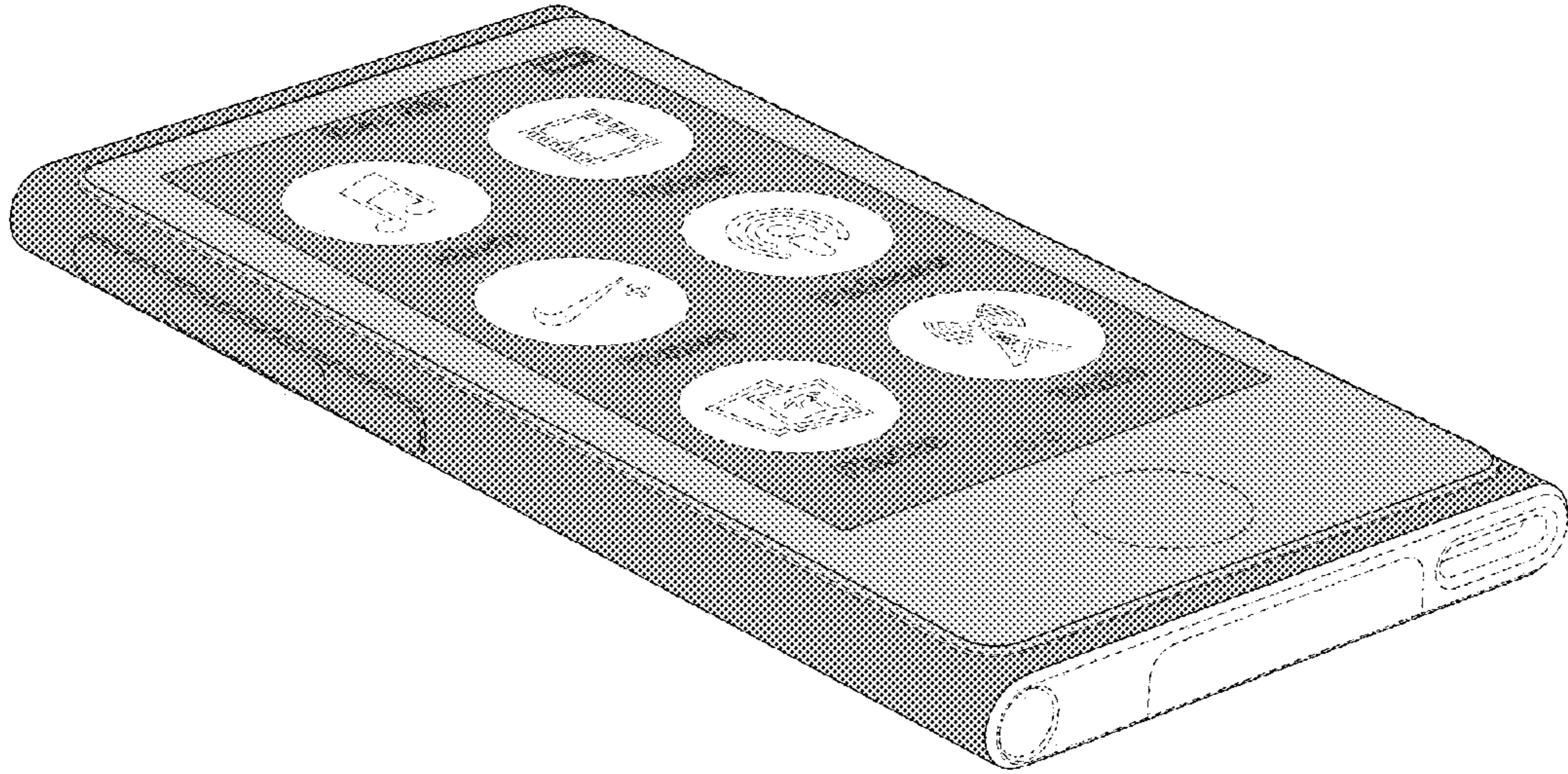


FIG. 1

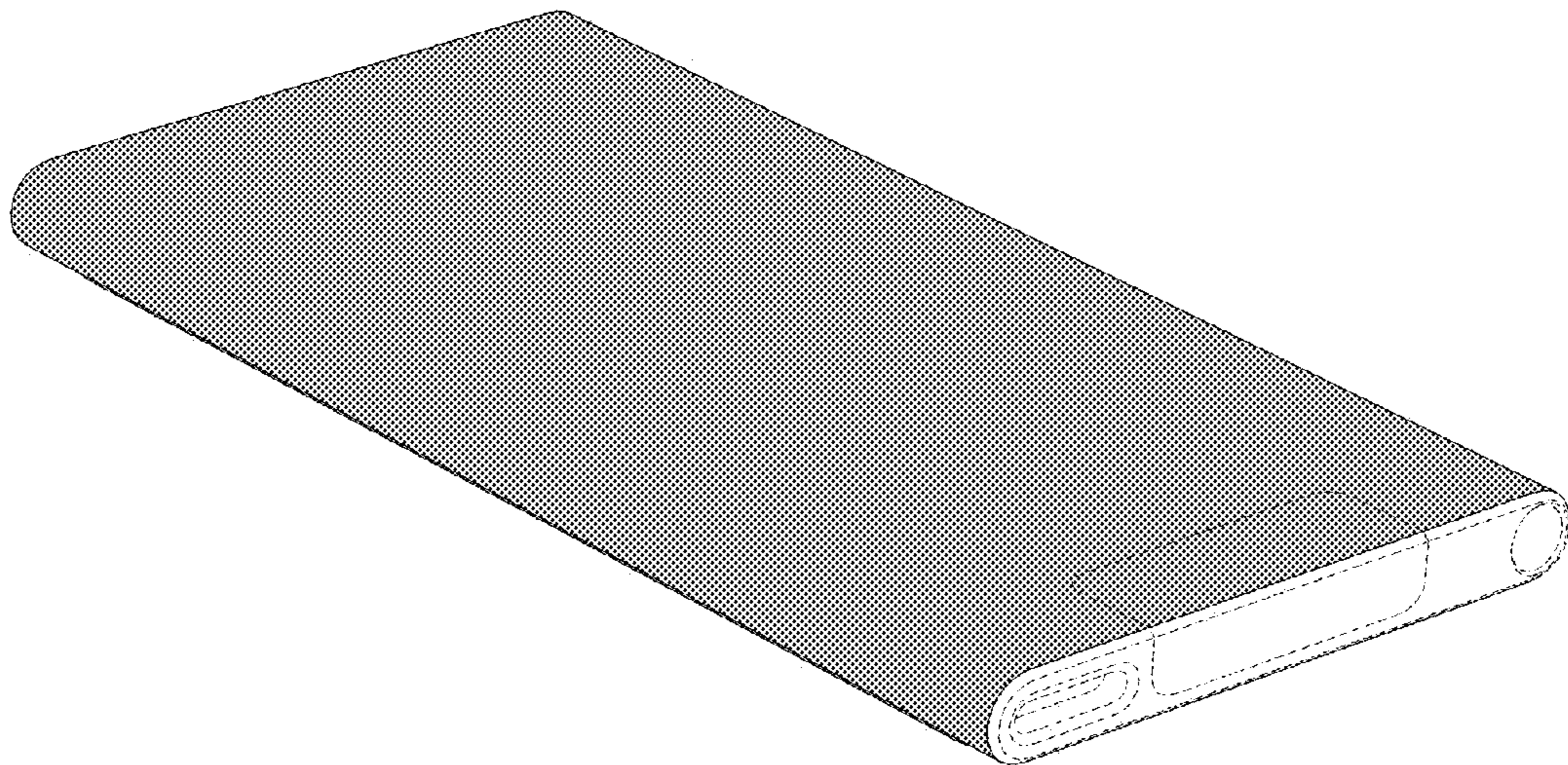


FIG. 2

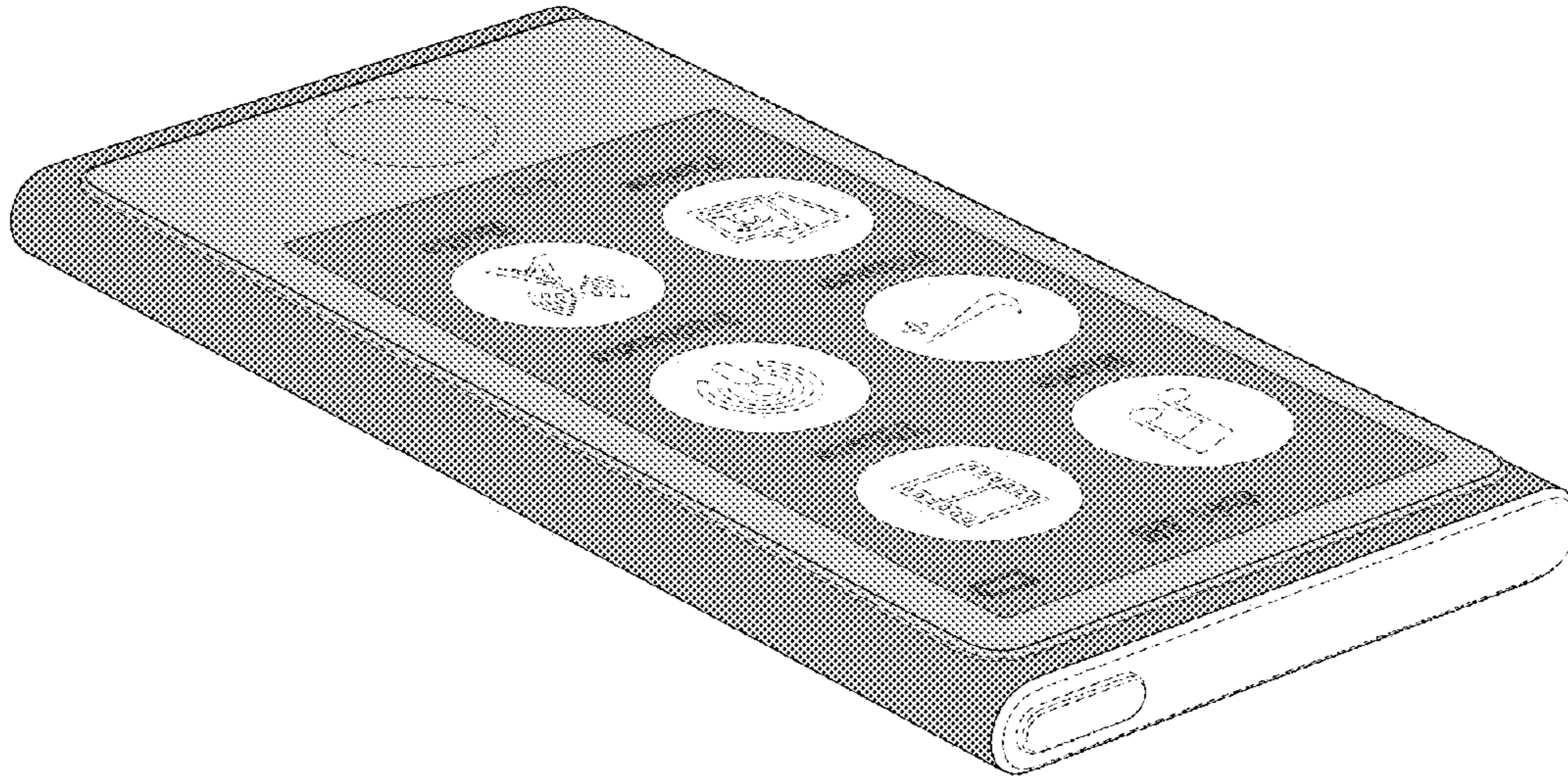


FIG. 3

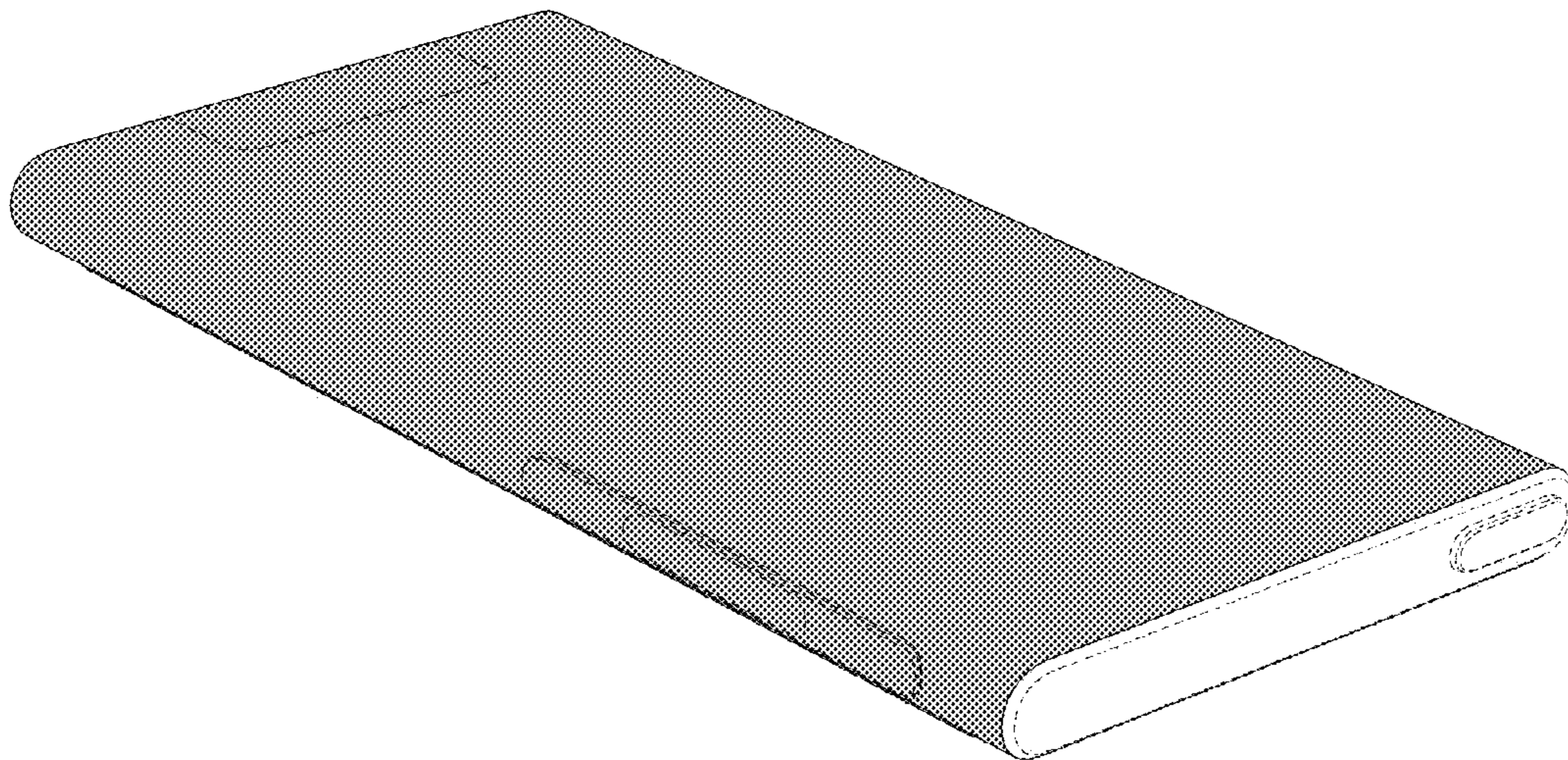


FIG. 4

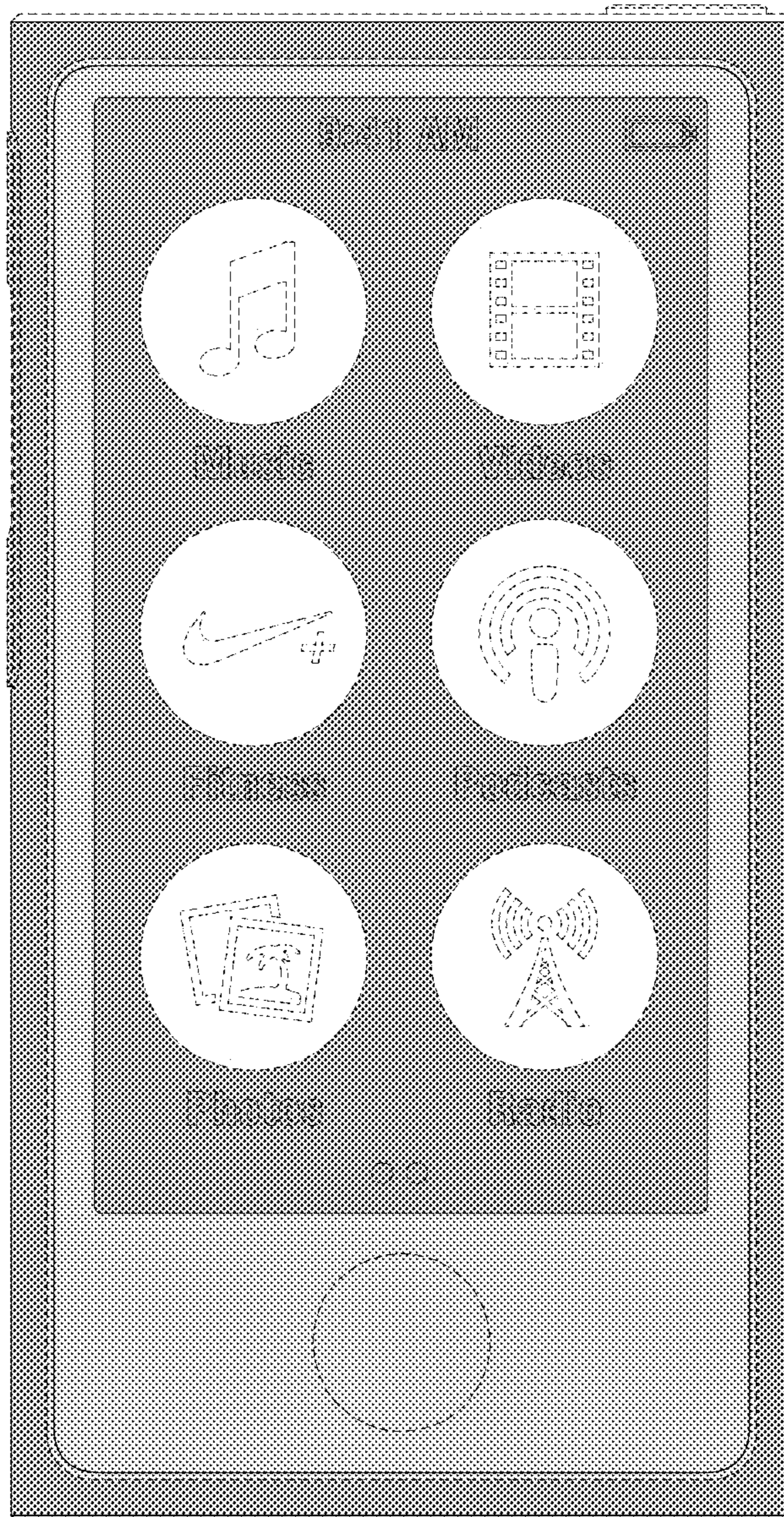
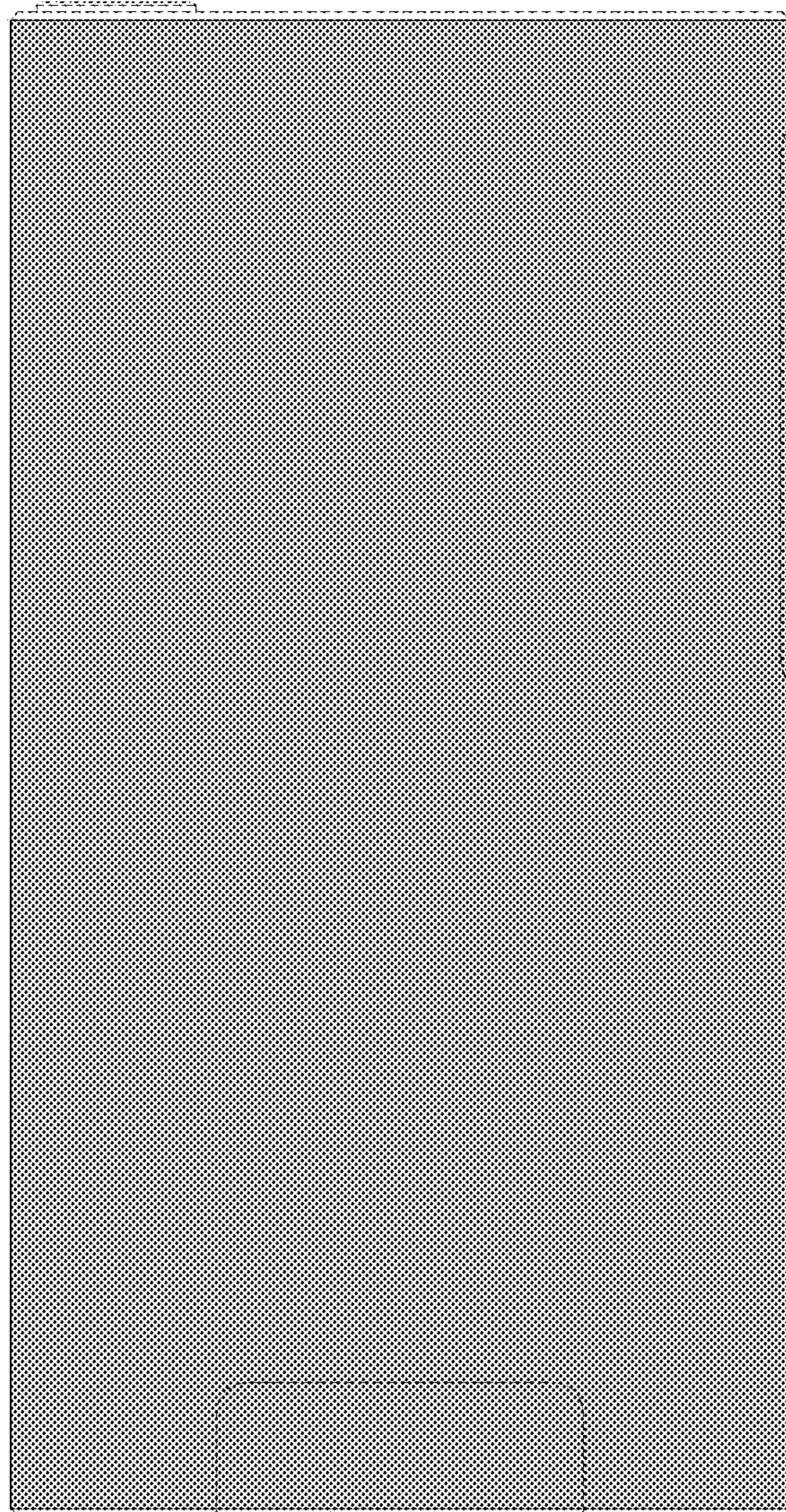


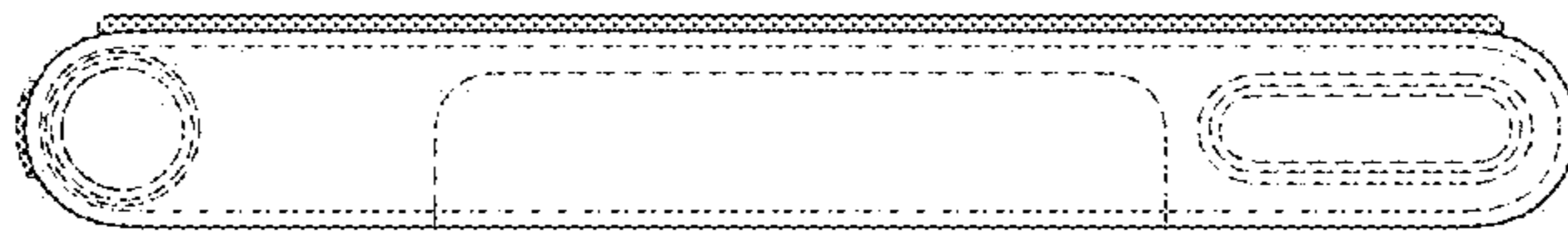
FIG. 5



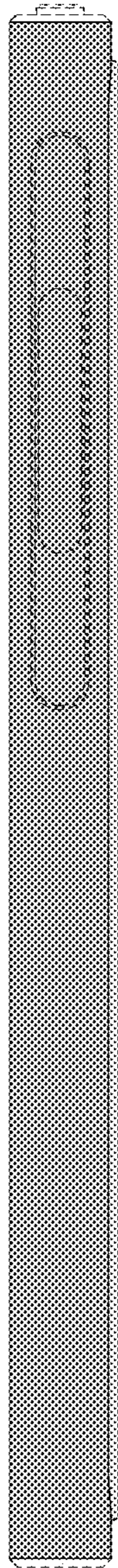
**FIG. 6**



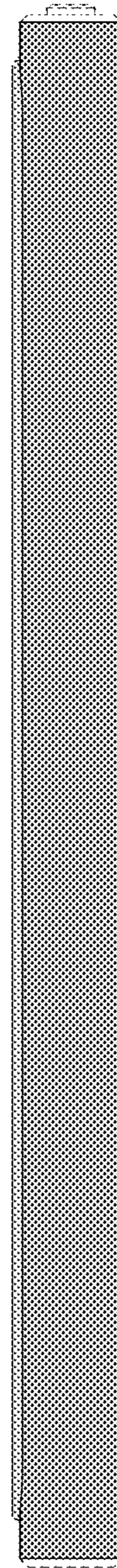
**FIG. 7**



**FIG. 8**



**FIG. 9**



**FIG. 10**