



US00D756994S

(12) **United States Design Patent**
Shindo et al.

(10) **Patent No.:** **US D756,994 S**

(45) **Date of Patent:** **** May 24, 2016**

(54) **POTABLE COMPUTER**

(56) **References Cited**

(71) Applicant: **Panasonic Intellectual Property Management Co., Ltd.**, Osaka (JP)
(72) Inventors: **Kenichi Shindo**, Osaka (JP); **Katsuhiro Kitade**, Osaka (JP); **Hitoshi Nakatani**, Osaka (JP); **Takeshi Mori**, Osaka (JP)
(73) Assignee: **Panasonic Intellectual Property Management Co., Ltd.**, Osaka (JP)

U.S. PATENT DOCUMENTS

D558,754	S	*	1/2008	Takemasa	D14/328
D586,798	S	*	2/2009	Tanaka	D14/315
D623,648	S	*	9/2010	Hsu	D14/324
D624,069	S	*	9/2010	Peng	D14/324
D649,149	S	*	11/2011	Peng	D14/315
D669,067	S	*	10/2012	Cruz	D14/315
D673,557	S	*	1/2013	Cruz	D14/315
D702,679	S	*	4/2014	Li	D14/324
2004/0112776	A1	*	6/2004	Lord	G06F 1/1616 206/320
2011/0310553	A1	*	12/2011	Hsiao	G06F 1/1656 361/679.55

(**) Term: **14 Years**

* cited by examiner

(21) Appl. No.: **29/523,925**

Primary Examiner — Freda S Nunn

(22) Filed: **Apr. 15, 2015**

(74) *Attorney, Agent, or Firm* — Panasonic Patent Center

(30) **Foreign Application Priority Data**

(57) **CLAIM**

We claim the ornamental design for a portable computer, as shown and described.

Oct. 20, 2014 (JP) 2014-023412

DESCRIPTION

(51) **LOC (10) Cl.** **14-02**

FIG. 1 is a rear perspective view of a portable computer of the present invention;
FIG. 2 is a front view thereof;
FIG. 3 is a rear view thereof;
FIG. 4 is a first side view thereof;
FIG. 5 is a second side view thereof;
FIG. 6 is a top view thereof;
FIG. 7 is a bottom view thereof;
FIG. 8 is an end view taken along the line 8-8 in FIG. 2;
FIG. 9 is a rear perspective view thereof shown in a slided position; and,
FIG. 10 is a rear perspective view thereof shown in a closed position.

(52) **U.S. Cl.**

USPC **D14/315**

(58) **Field of Classification Search**

USPC D14/315-327; D18/1, 2, 7, 11; 235/145 A, 145 R; 341/22, 23; 345/104, 345/156, 168, 169, 173; 361/679.08, 361/679.09, 679.11, 679.26, 679.27

CPC G06F 1/16; G06F 1/1616; G06F 1/1626; G06F 1/1632; G06F 1/1613; G06F 1/1601; G06F 1/1618; G06F 1/162; G06F 1/166; G06F 1/1654; G06F 1/1681; G06F 1/1637; G06F 1/1688; G06F 1/1656; H01R 35/02; H03M 11/00; G09B 13/04; H03K 17/94; G09G 5/00; F16M 11/10; H05K 5/00; H04M 1/0237

See application file for complete search history.

The broken line showing of a portable computer is included for the purpose of illustrating environment only and forms no part of the claimed design. Additionally, the dot-dash broken lines shown adjacent the rear edge of the computer in FIGS. 1, 7 and 10 define the limits of the claimed design.

1 Claim, 10 Drawing Sheets

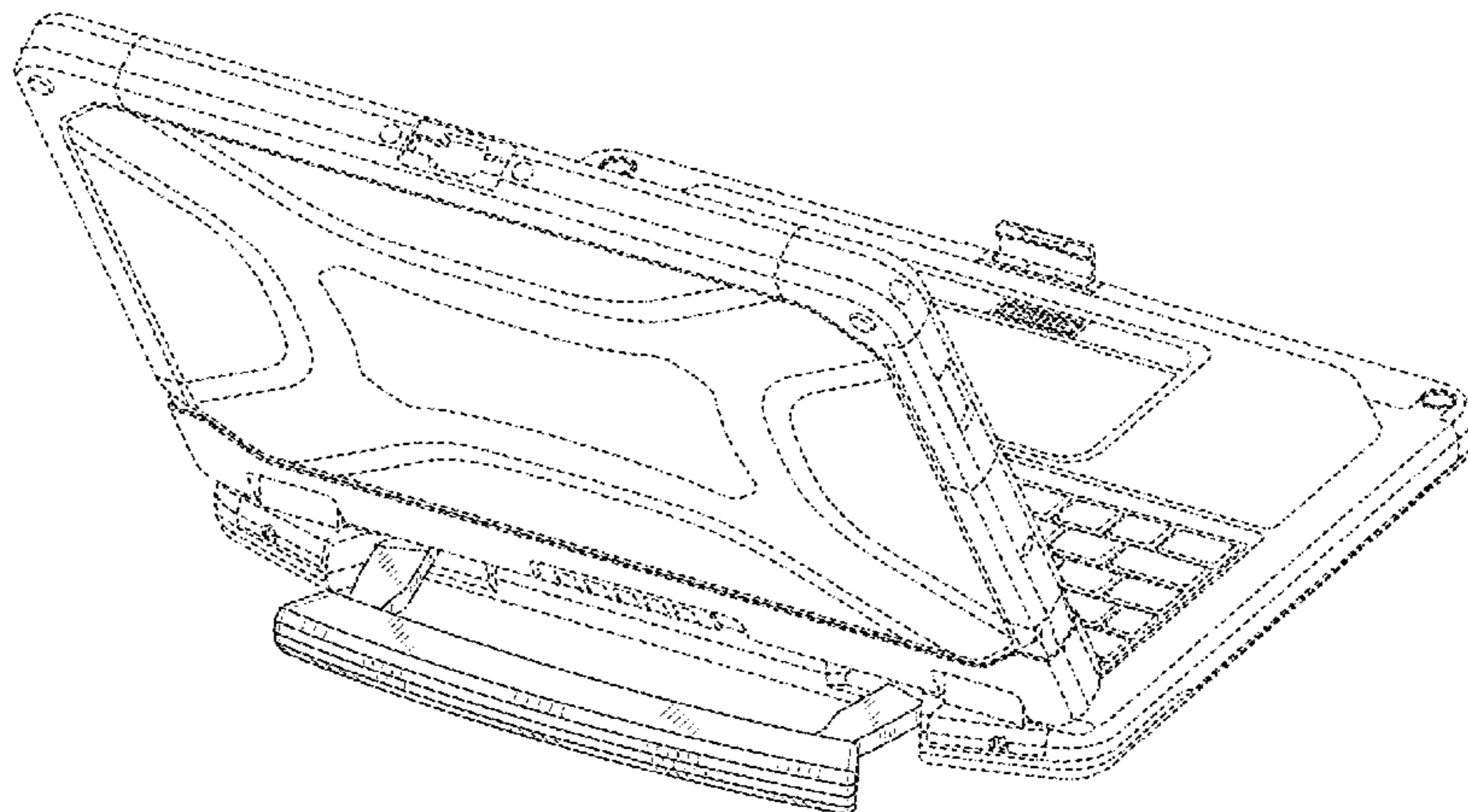


FIG. 1

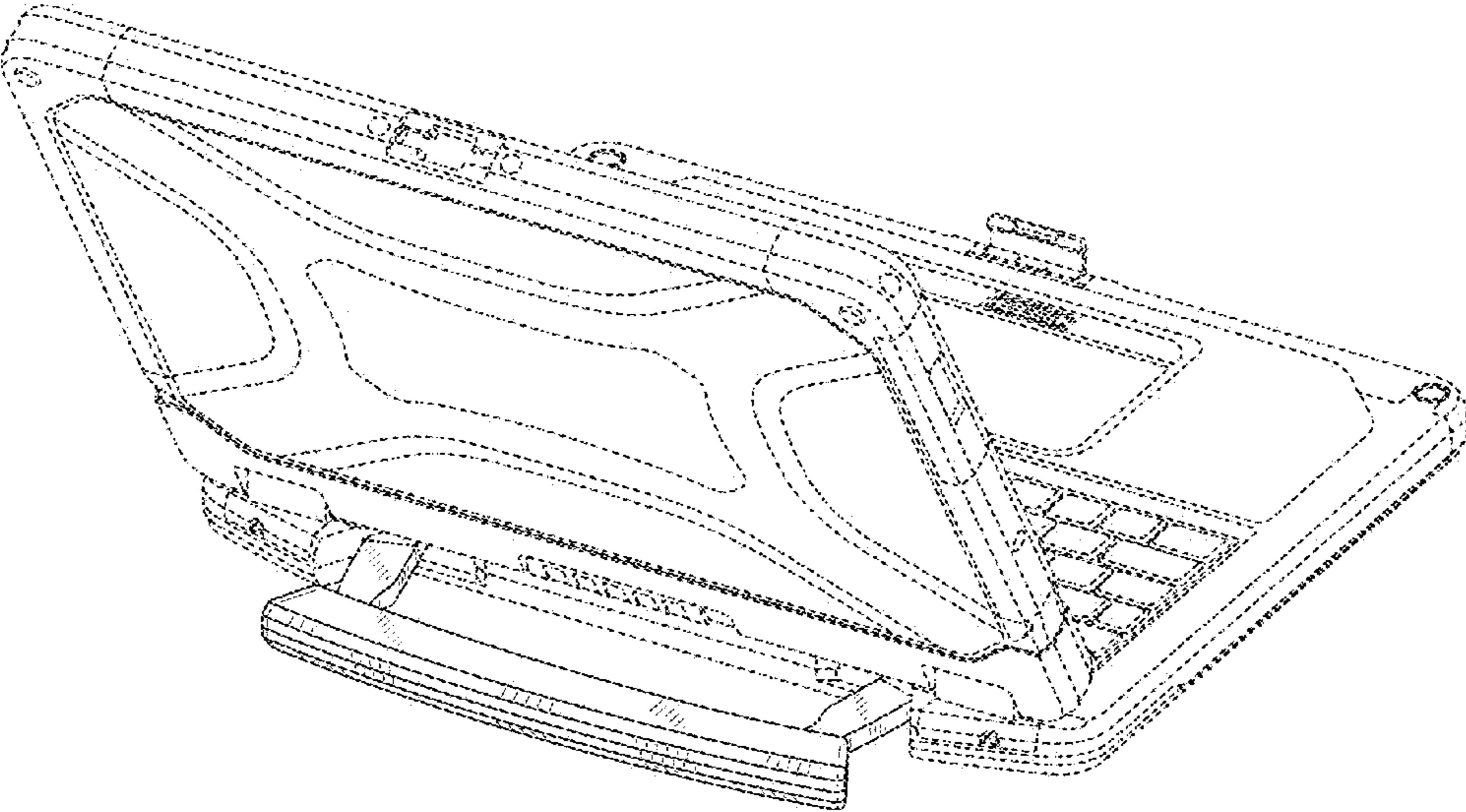


FIG. 2

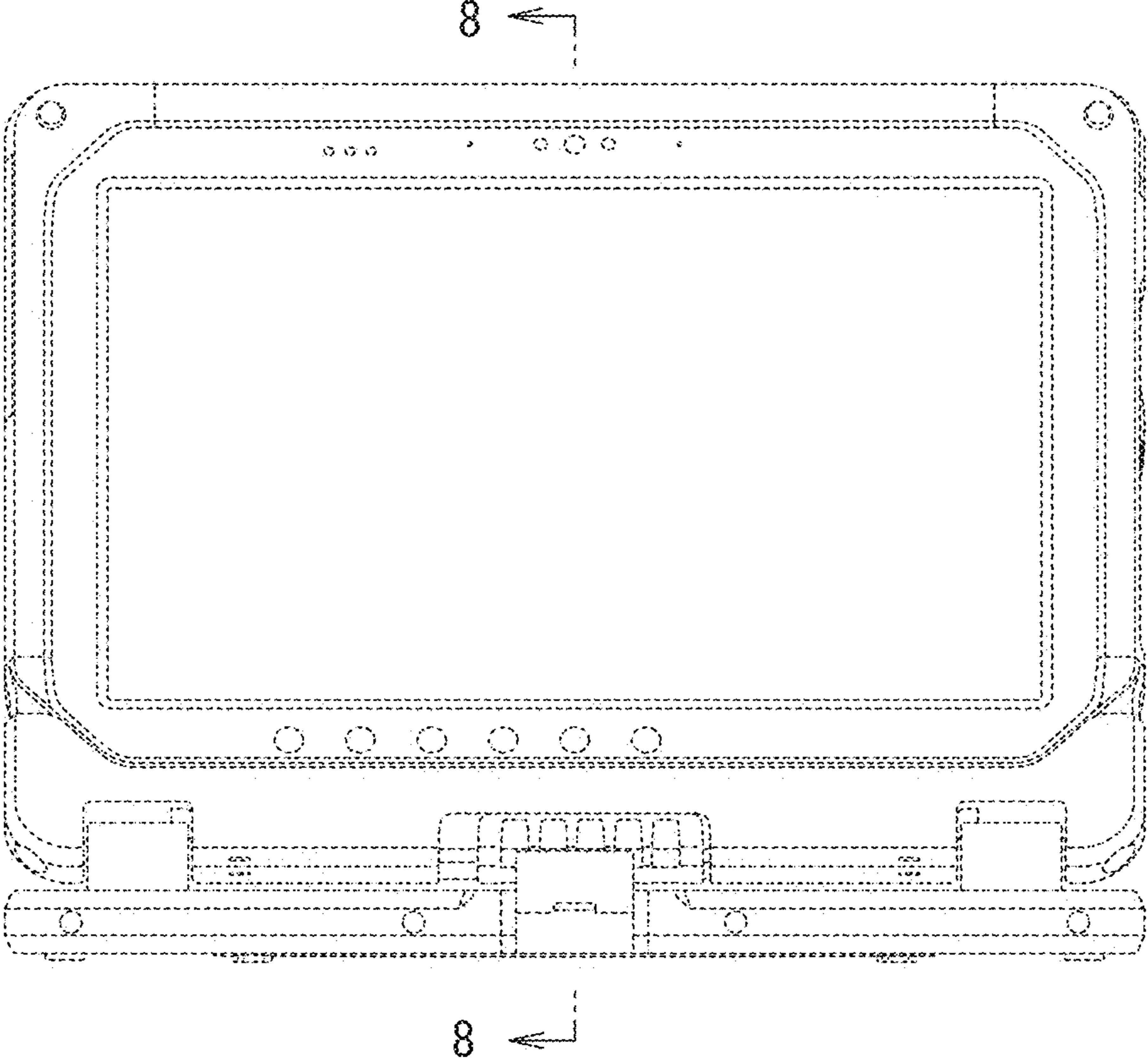


FIG. 3

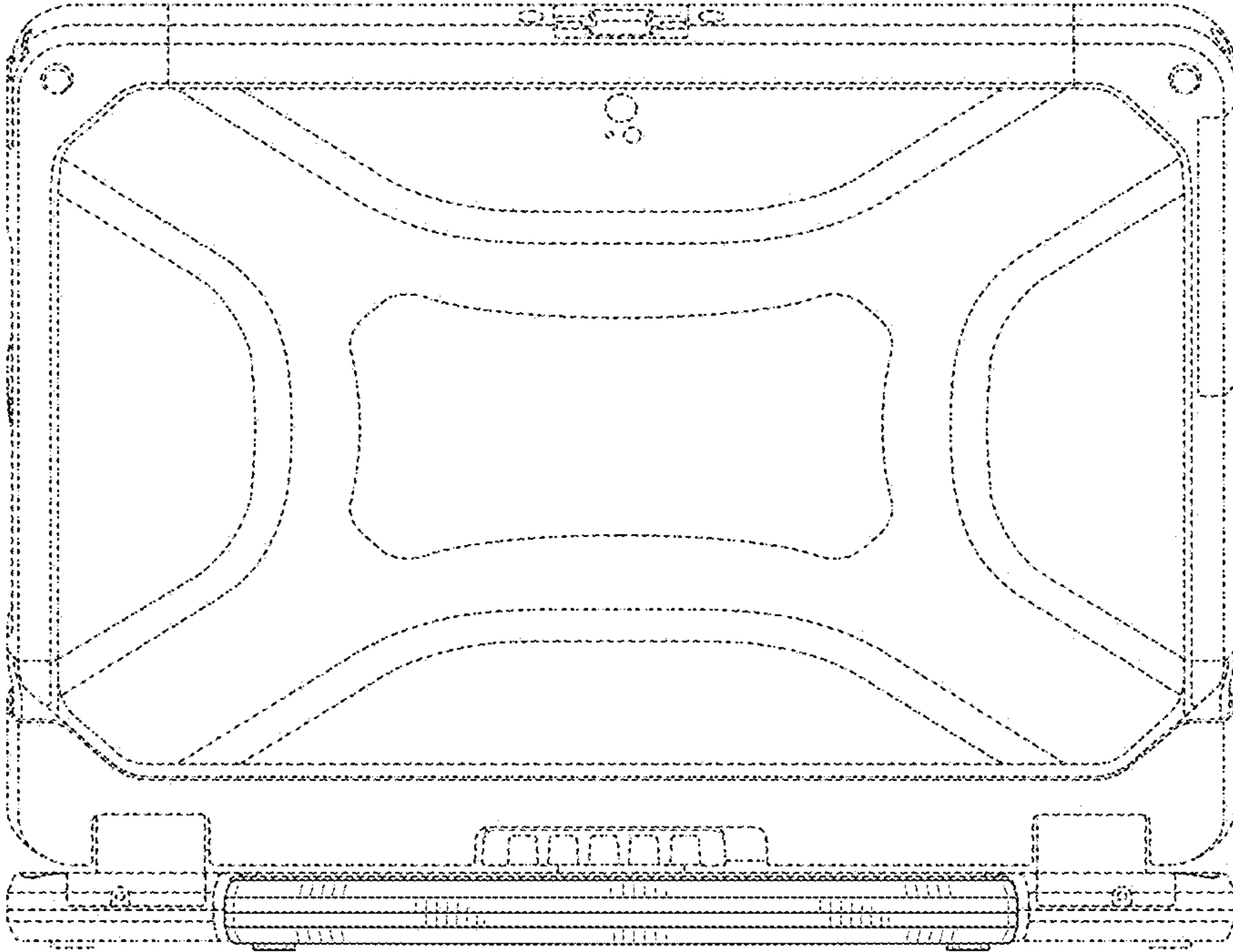


FIG. 4

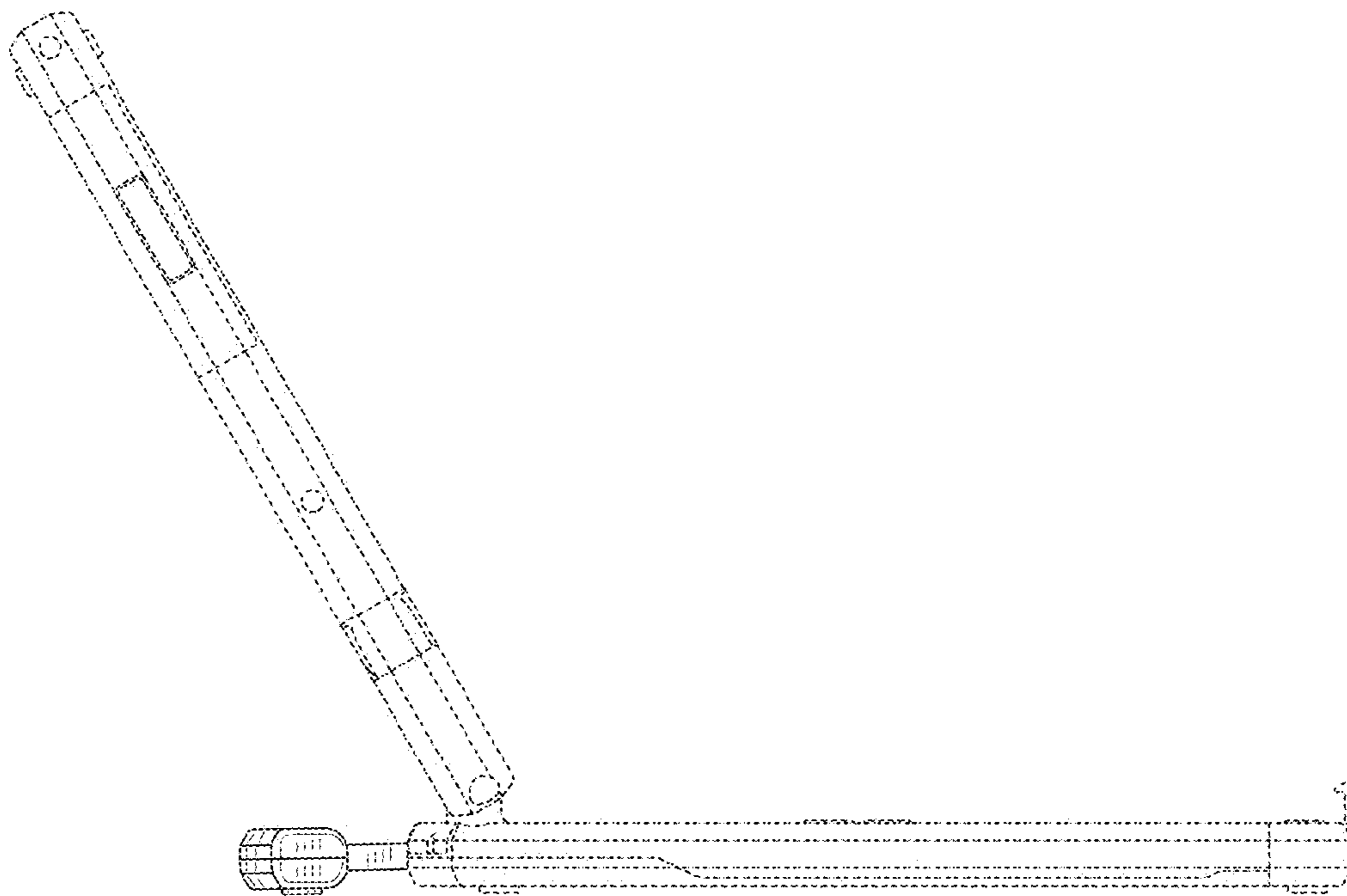


FIG. 5

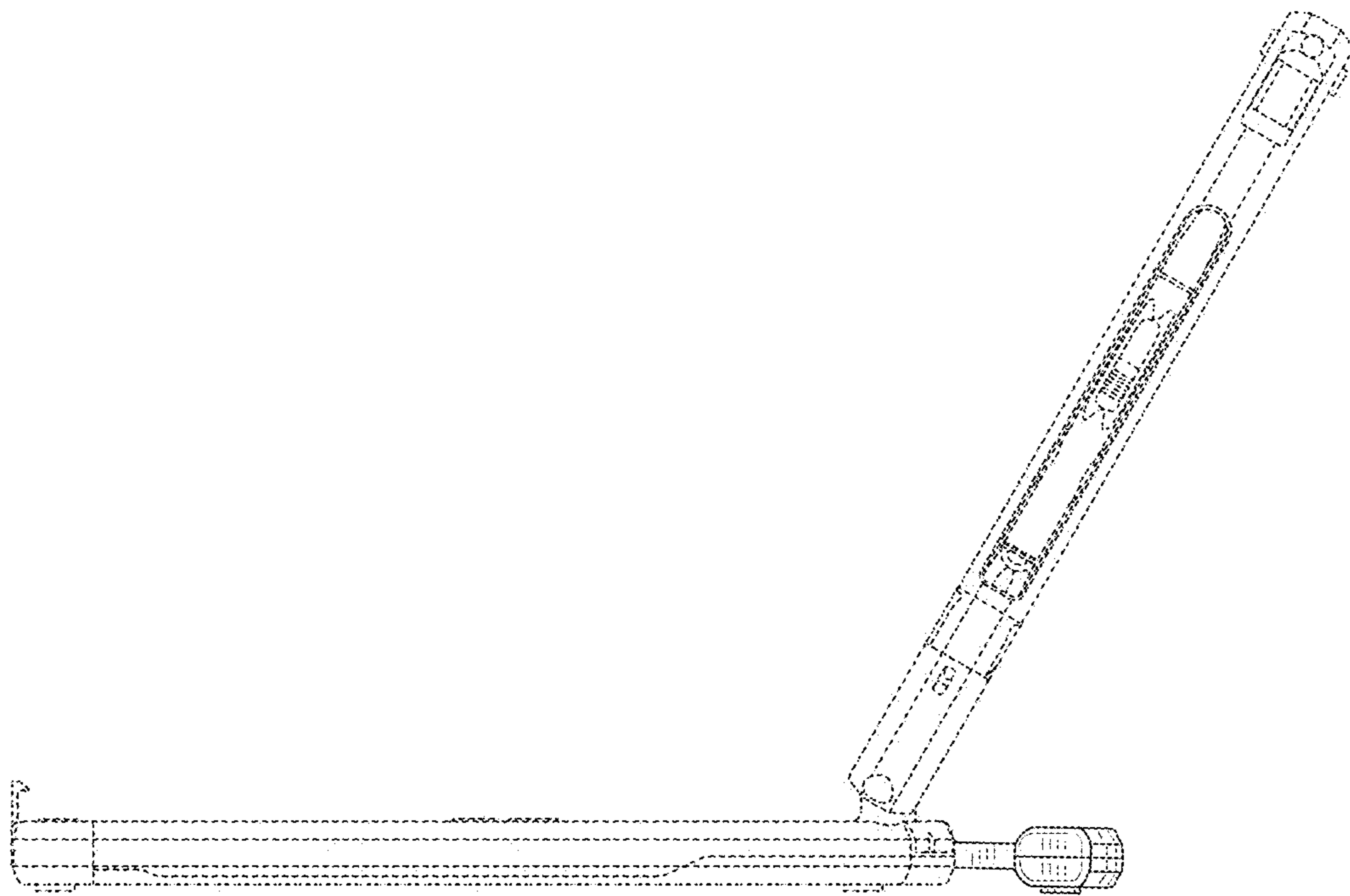


FIG. 6

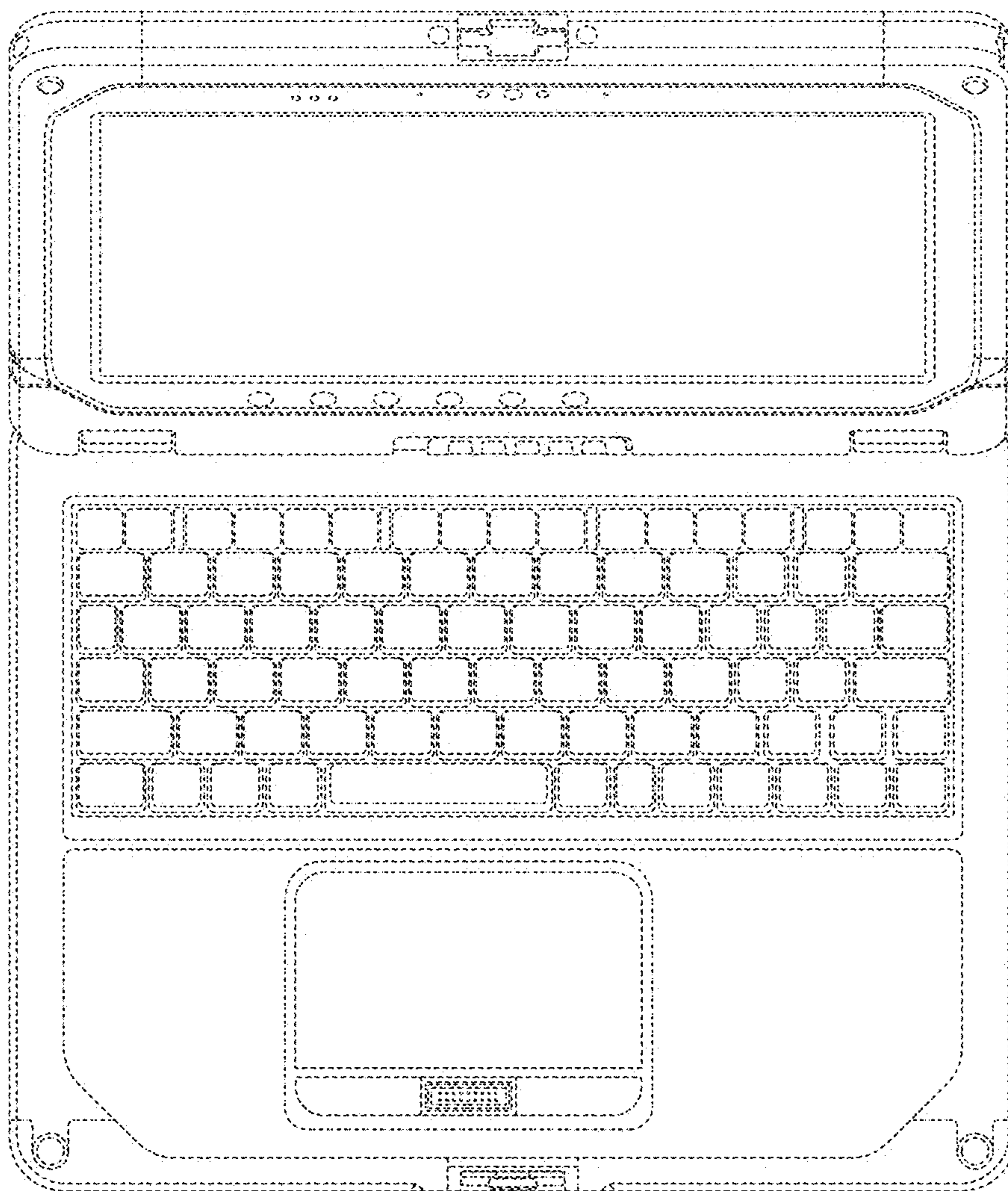


FIG. 7

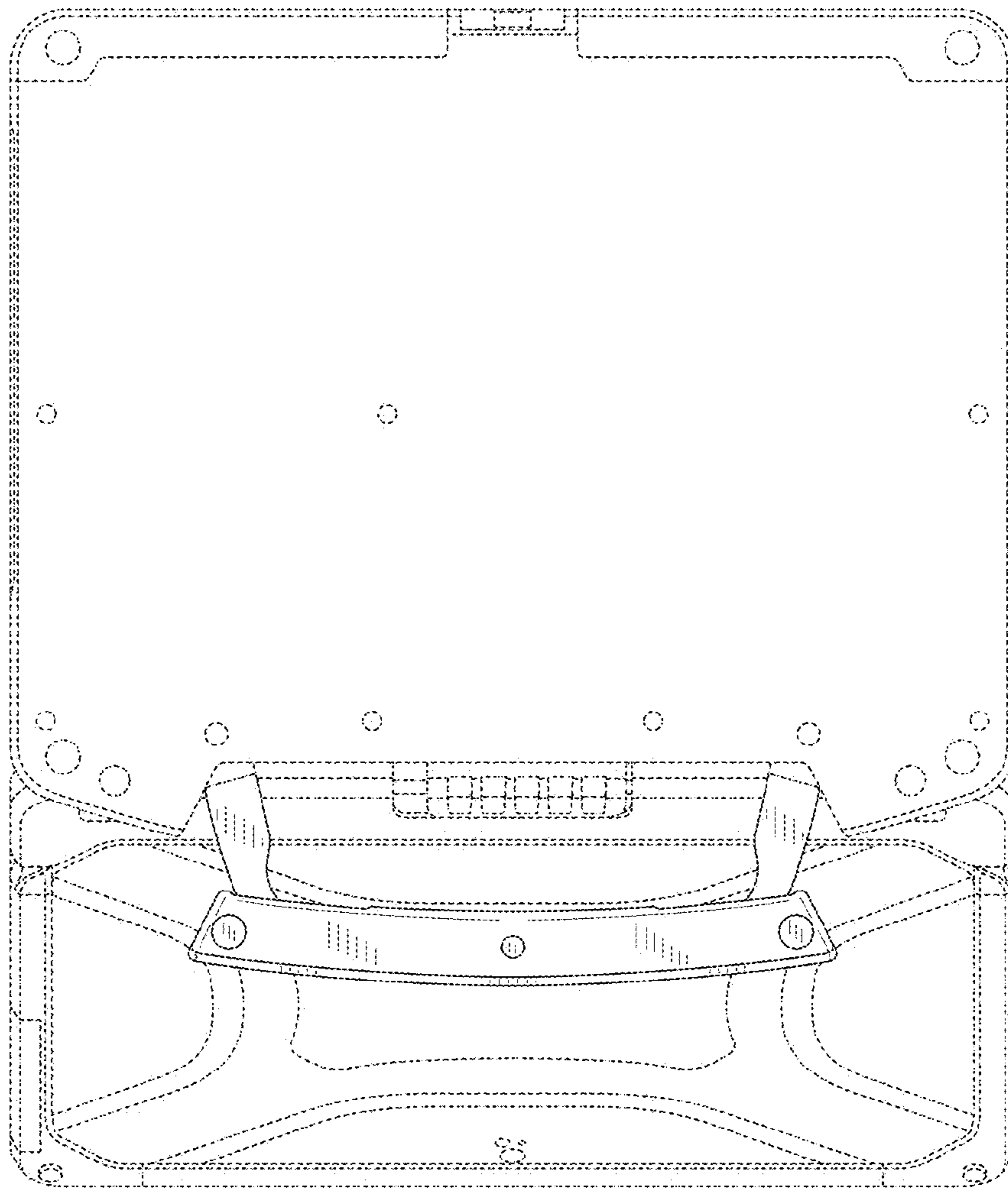


FIG. 8

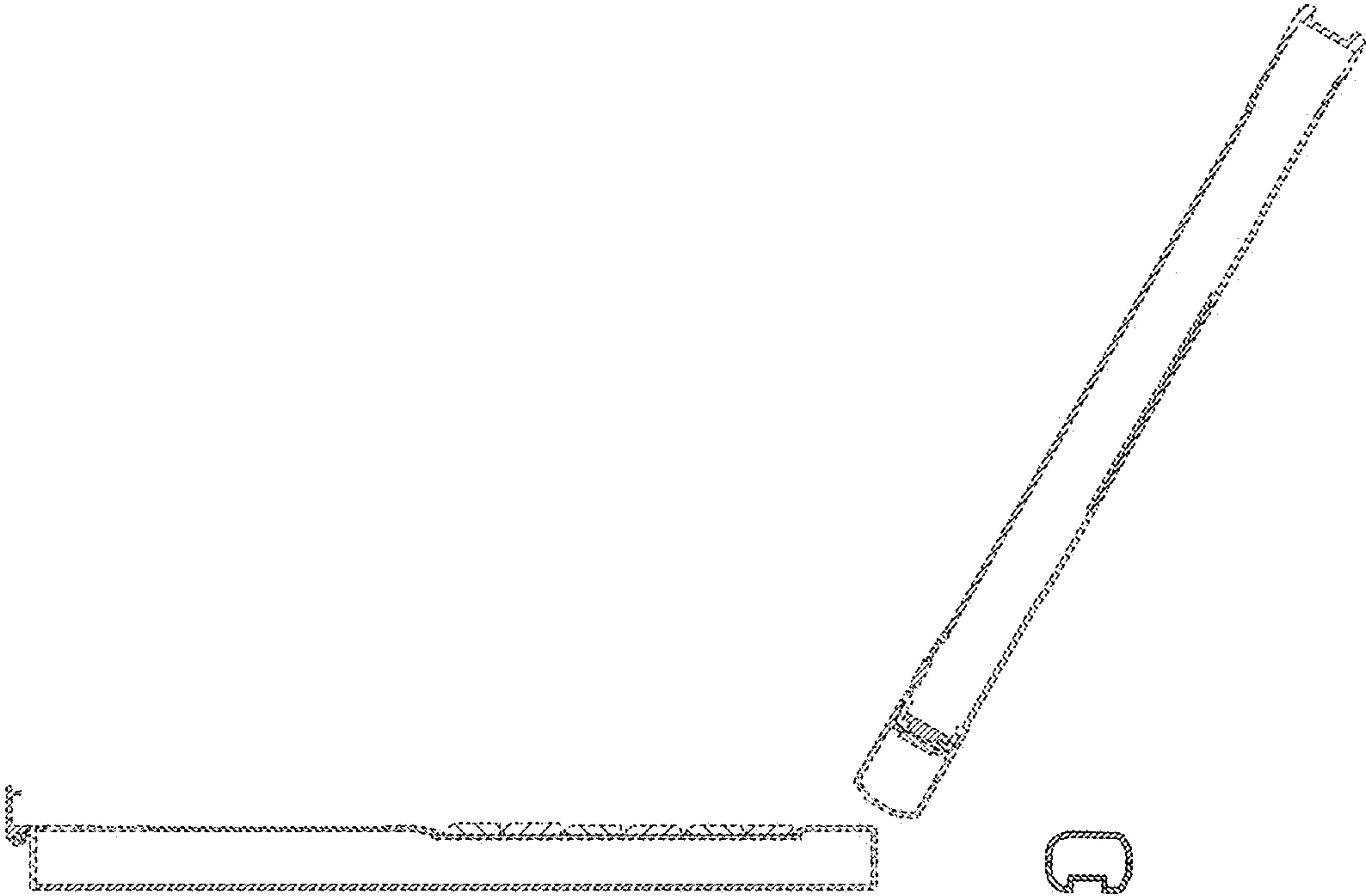


FIG. 9

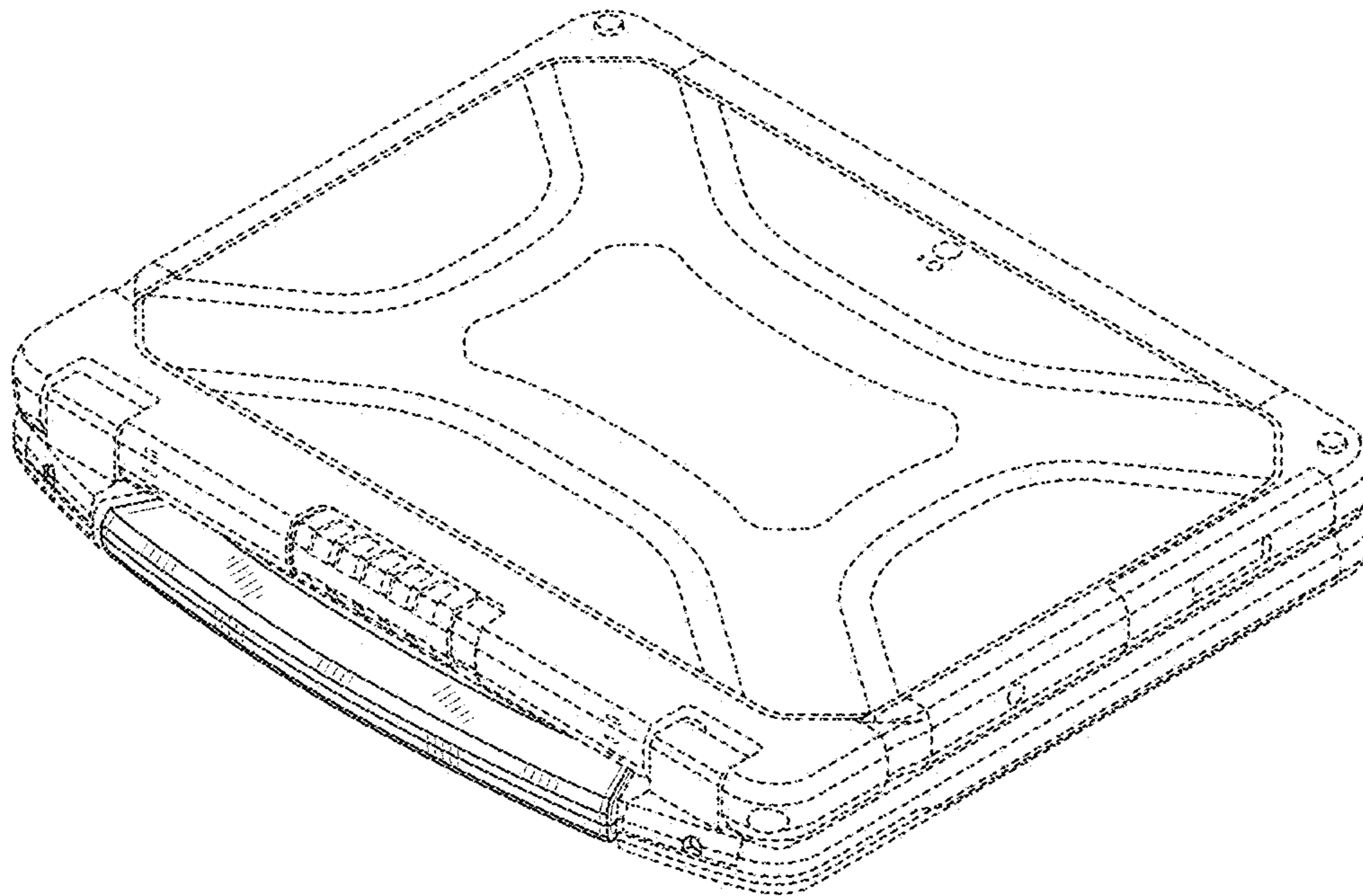
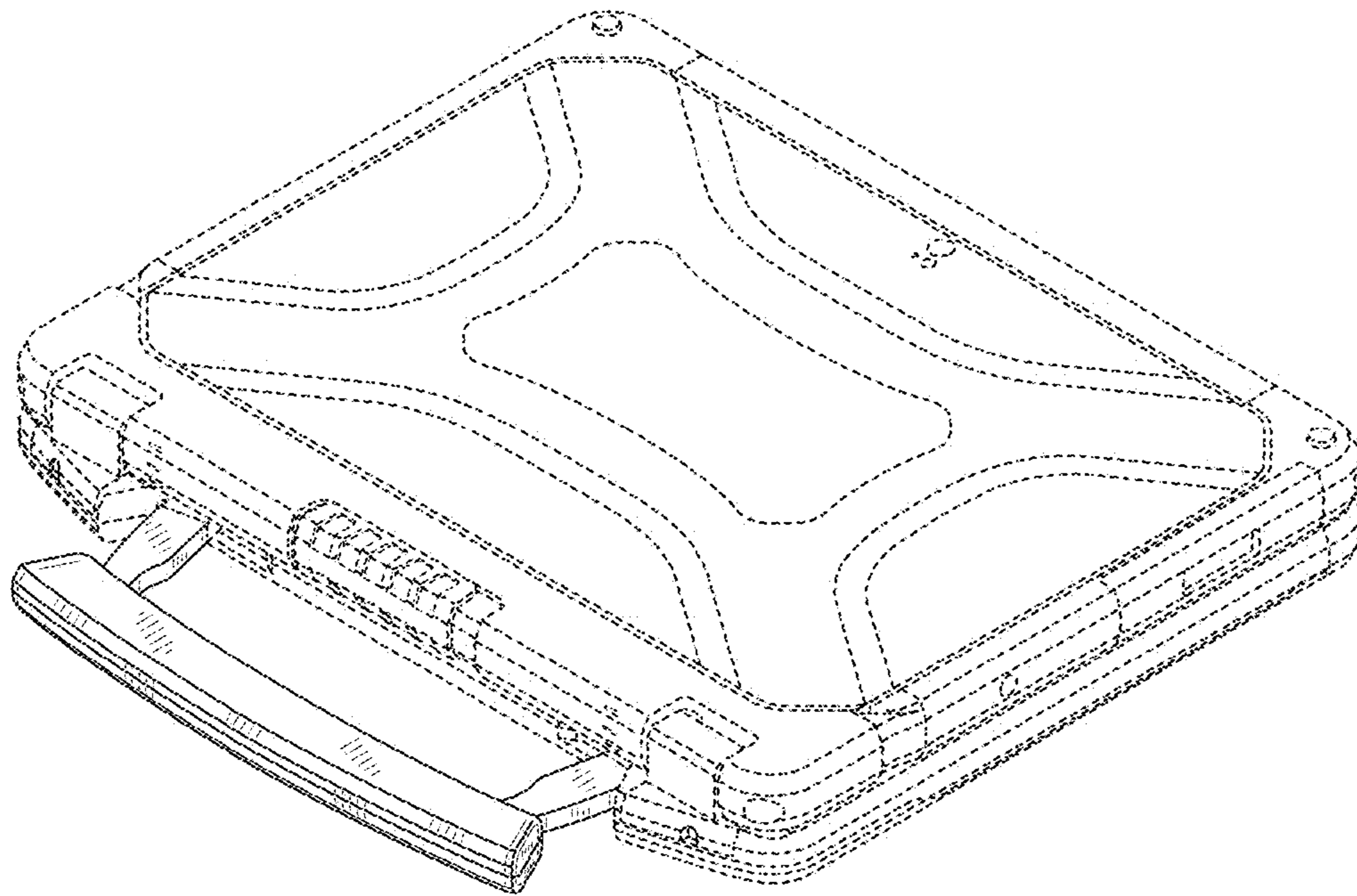


FIG. 10



UNITED STATES PATENT AND TRADEMARK OFFICE
CERTIFICATE OF CORRECTION

PATENT NO. : D756,994 S
APPLICATION NO. : 29/523925
DATED : May 24, 2016
INVENTOR(S) : Kenichi Shindo et al.

Page 1 of 1

It is certified that error appears in the above-identified patent and that said Letters Patent is hereby corrected as shown below:

Title Page item (54) and in the Specification, Col. 1, in the TITLE

The portion reading "POTABLE" should be --PORTABLE--.

Signed and Sealed this
Sixth Day of September, 2016



Michelle K. Lee
Director of the United States Patent and Trademark Office