



US00D756993S

(12) **United States Design Patent**
Oakley

(10) **Patent No.:** **US D756,993 S**

(45) **Date of Patent:** **** May 24, 2016**

(54) **COMPUTING DEVICE**

(71) Applicant: **Intel Corporation**, Santa Clara, CA
(US)

(72) Inventor: **Nicholas W. Oakley**, Portland, OR (US)

(73) Assignee: **Intel Corporation**, Santa Clara, CA
(US)

(**) Term: **14 Years**

(21) Appl. No.: **29/495,378**

(22) Filed: **Jun. 30, 2014**

Related U.S. Application Data

(63) Continuation of application No. 29/441,014, filed on
Dec. 29, 2012, now Pat. No. Des. 708,175.

(51) **LOC (10) Cl.** **14-02**

(52) **U.S. Cl.**
USPC **D14/315**

(58) **Field of Classification Search**

USPC D14/315-327; D18/1, 2, 7, 11;
235/145 A, 145 R; 341/22, 23; 345/104,
345/156, 168, 169, 173; 361/679.06,
361/679.08, 679.09, 679.11, 679.26,
361/679.27, 679.55

CPC G06F 3/02; G06F 3/023; G06F 1/1616;
G06F 1/162; H01H 13/70; H01H 13/705

See application file for complete search history.

(56) **References Cited**

U.S. PATENT DOCUMENTS

D358,376 S * 5/1995 Poon D14/315
6,480,373 B1 * 11/2002 Landry et al. 361/679.06
D616,880 S * 6/2010 Andre et al. D14/318

D631,043 S * 1/2011 Kell D14/341
7,999,792 B2 * 8/2011 Tsuji et al. 345/168
D649,544 S * 11/2011 Chiu et al. D14/318
D658,171 S * 4/2012 Masui et al. D14/318
D660,835 S * 5/2012 Cheng D14/318
D674,793 S * 1/2013 Chen et al. D14/315
D694,232 S * 11/2013 Adamson et al. D14/318
2009/0179859 A1 * 7/2009 Wisebourt et al. 345/168
2011/0255727 A1 * 10/2011 Azuchi 381/333

* cited by examiner

Primary Examiner — Freda S Nunn

(74) *Attorney, Agent, or Firm* — Patent Capital Group

(57) **CLAIM**

The ornamental design for a computing device, as shown and
described.

DESCRIPTION

FIG. 1 is a perspective view illustrating a first embodiment of
a design for a computing device;

FIG. 2 is a front view thereof;

FIG. 3 is a back view thereof;

FIG. 4 is a side view thereof;

FIG. 5 is another side view thereof;

FIG. 6 is a top view thereof; and

FIG. 7 is a bottom view thereof;

FIG. 8 is a perspective view illustrating a second embodiment
of a design for a computing device;

FIG. 9 is a front view thereof;

FIG. 10 is a back view thereof;

FIG. 11 is a side view thereof;

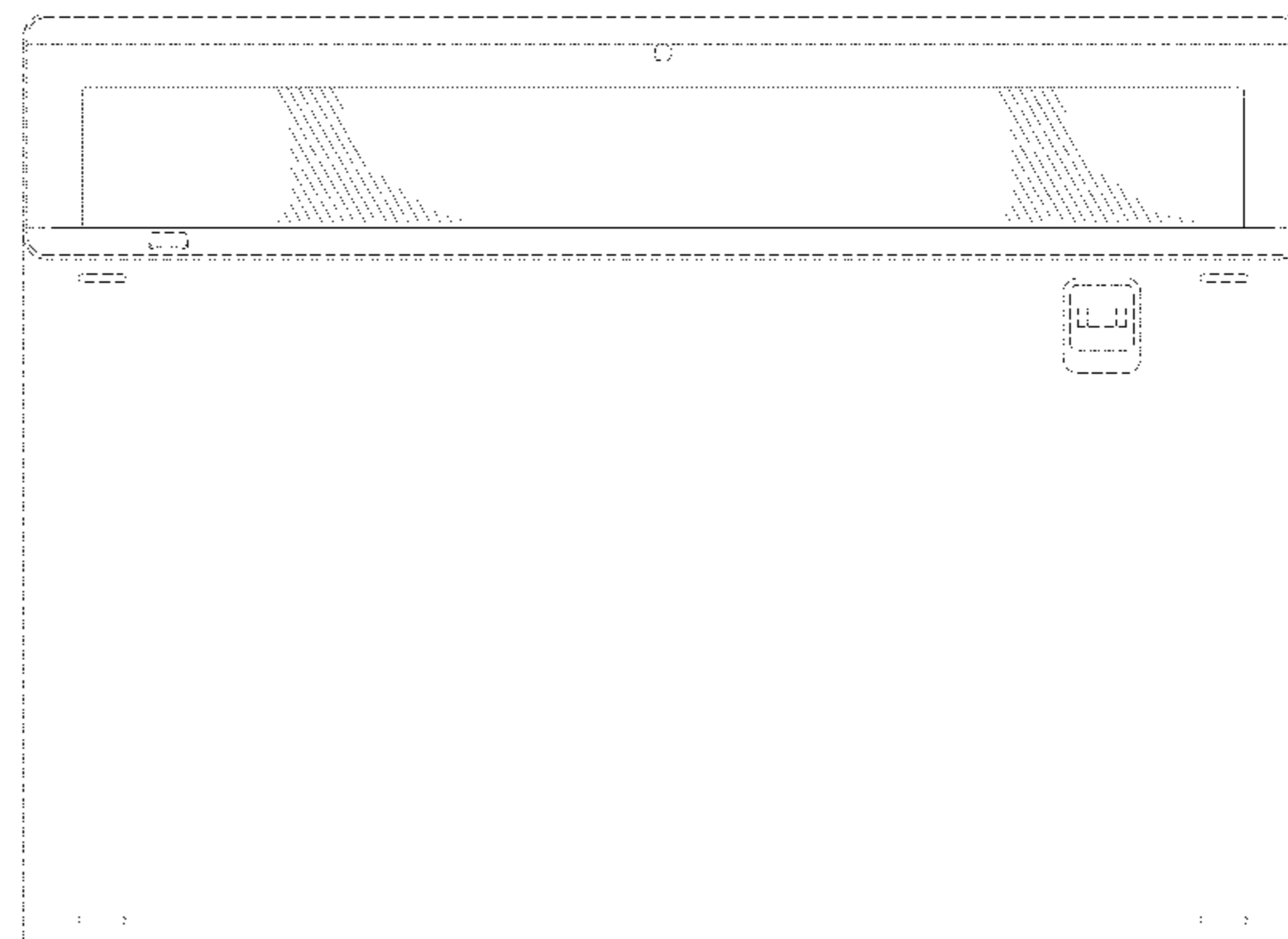
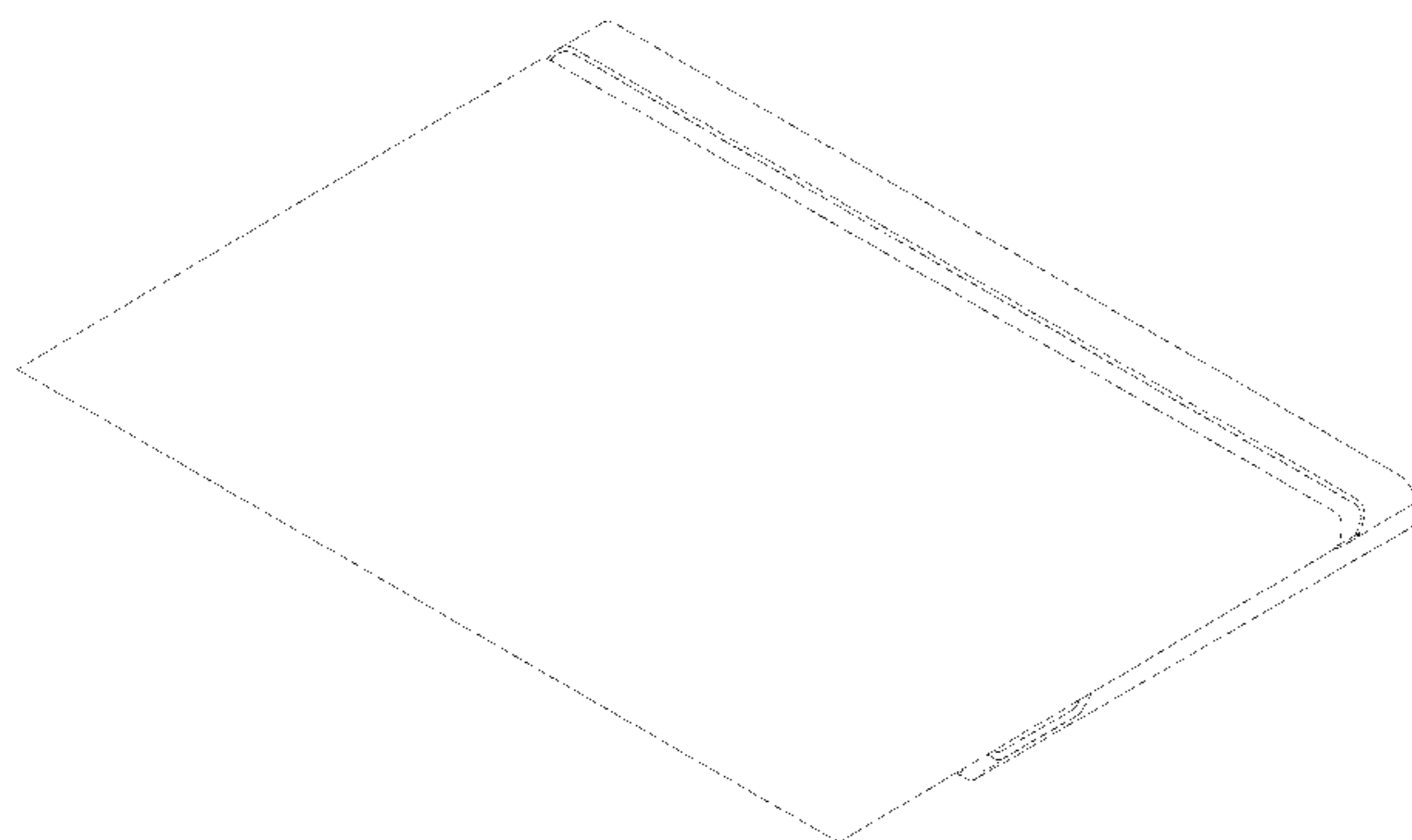
FIG. 12 is another side view thereof;

FIG. 13 is a top view thereof; and,

FIG. 14 is a bottom view thereof.

The broken lines of the FIGURES are shown for illustration
only and form no part of the claimed design.

1 Claim, 10 Drawing Sheets



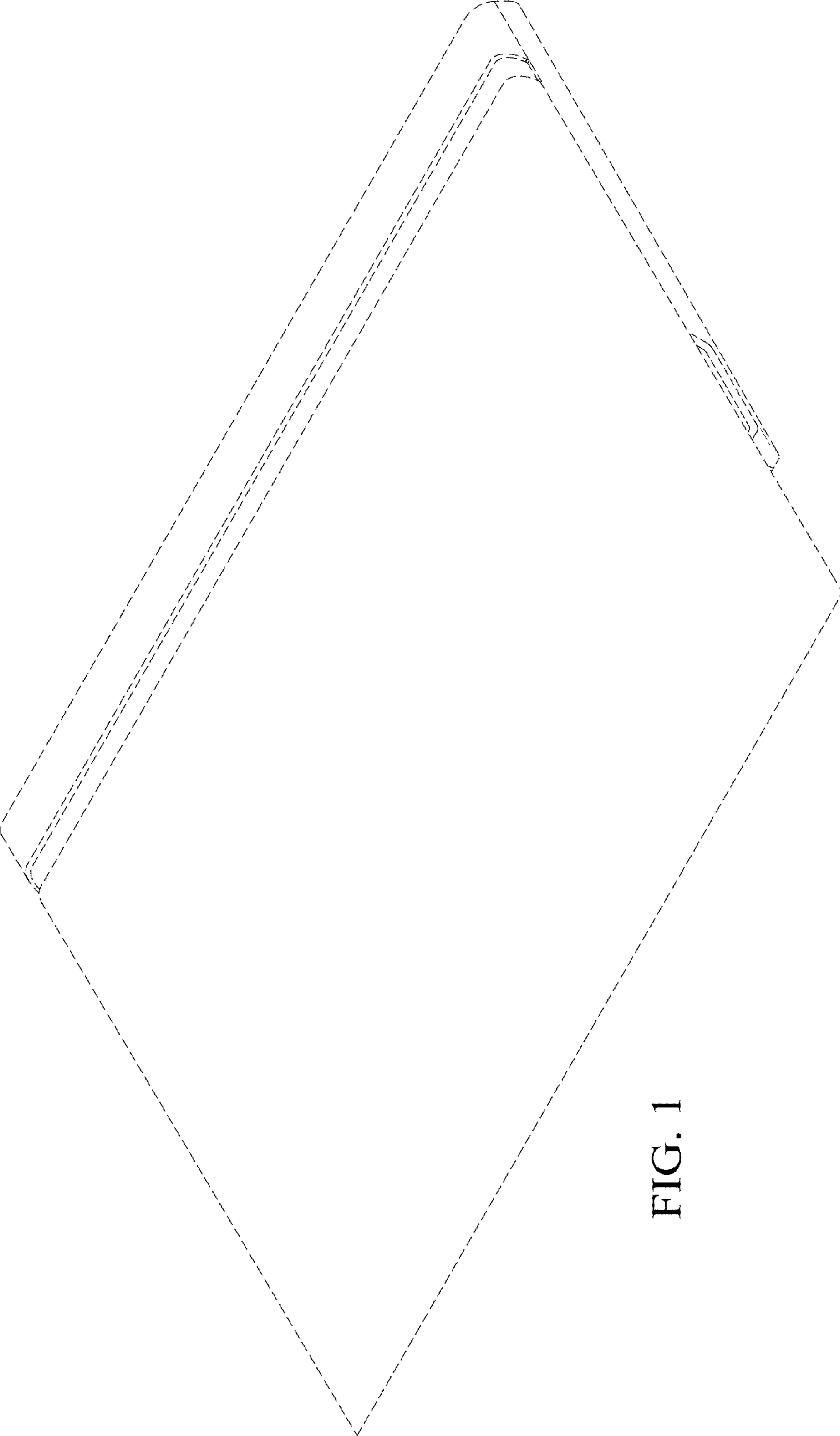


FIG. 1

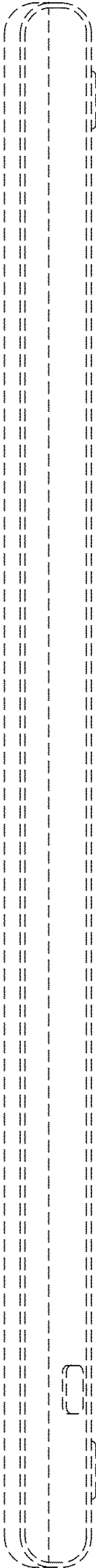


FIG. 2

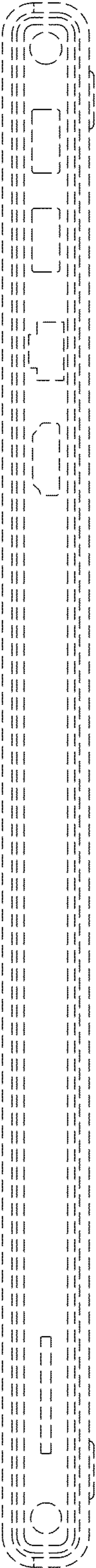


FIG. 3

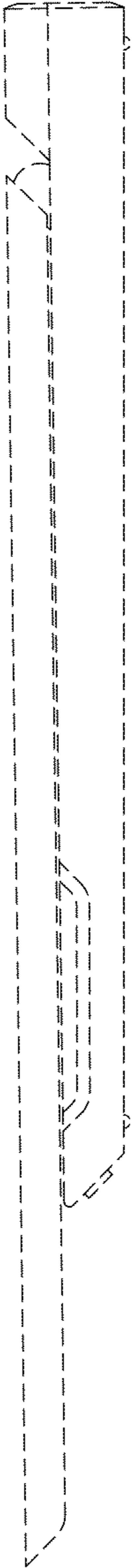


FIG. 4

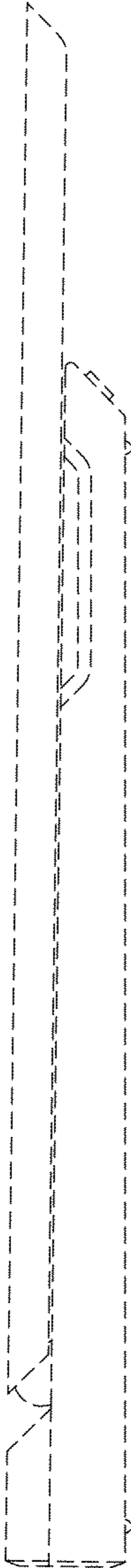


FIG. 5



FIG. 6

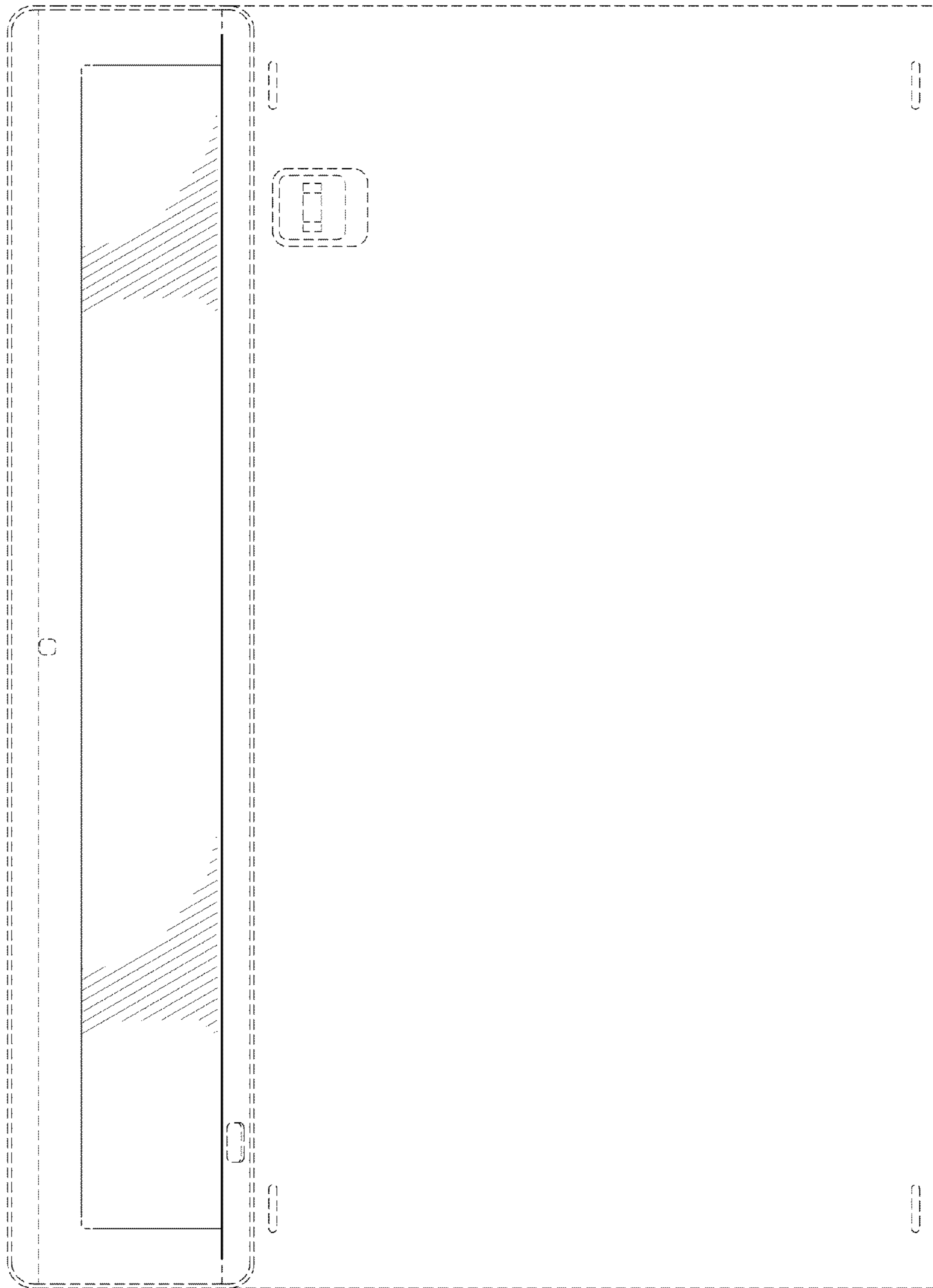


FIG. 7

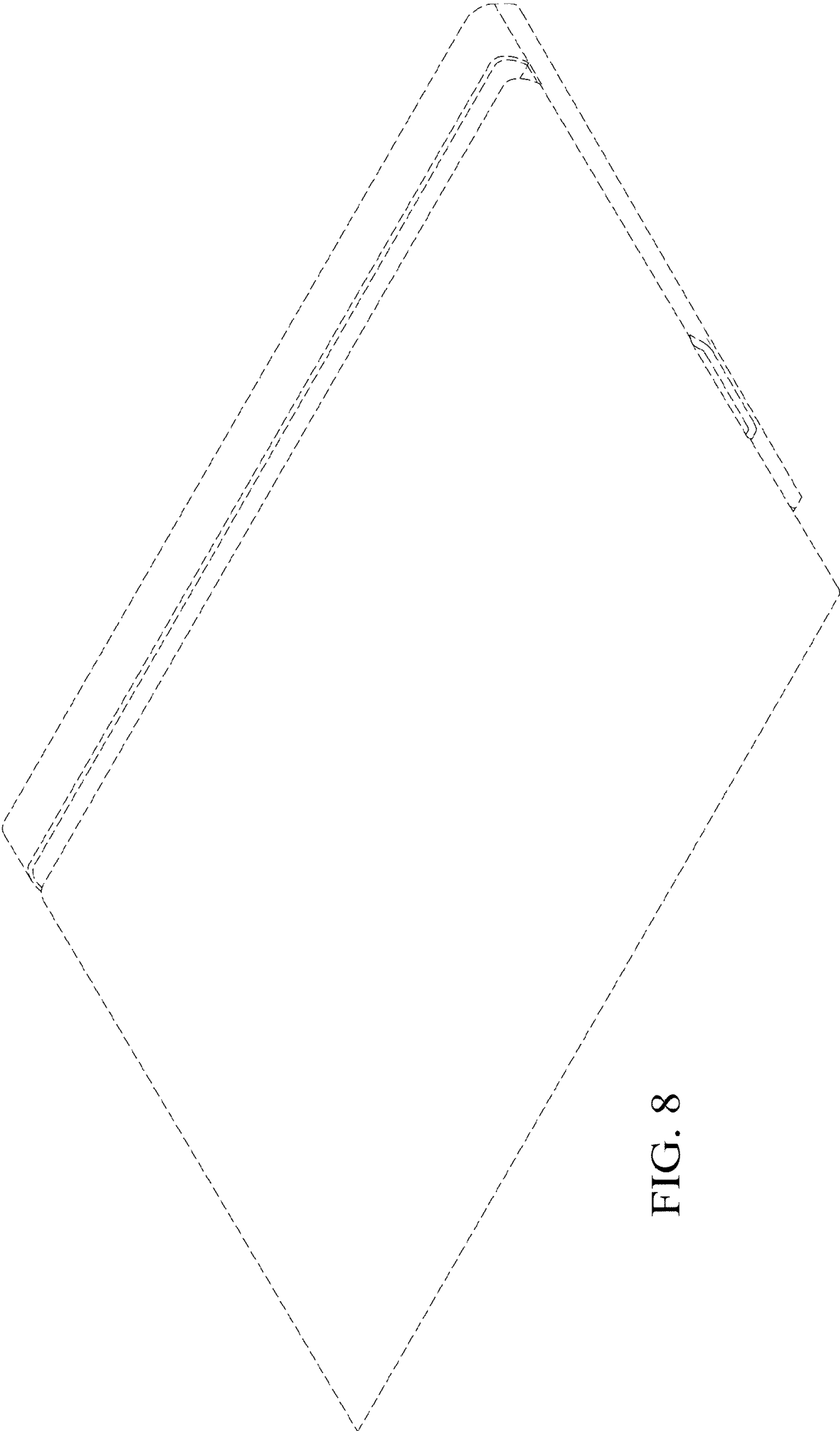


FIG. 8

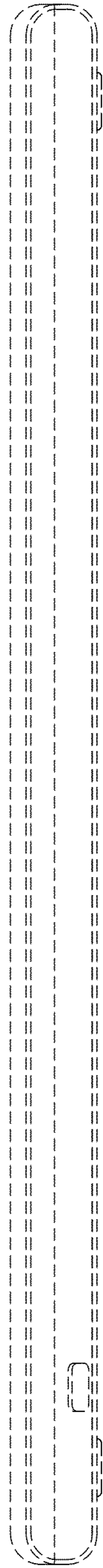


FIG. 9



FIG. 10

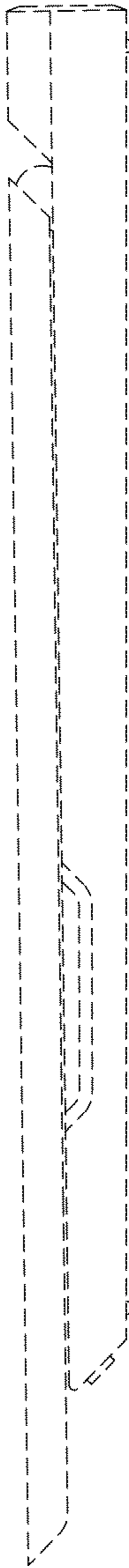


FIG. 11



FIG. 12



FIG. 13

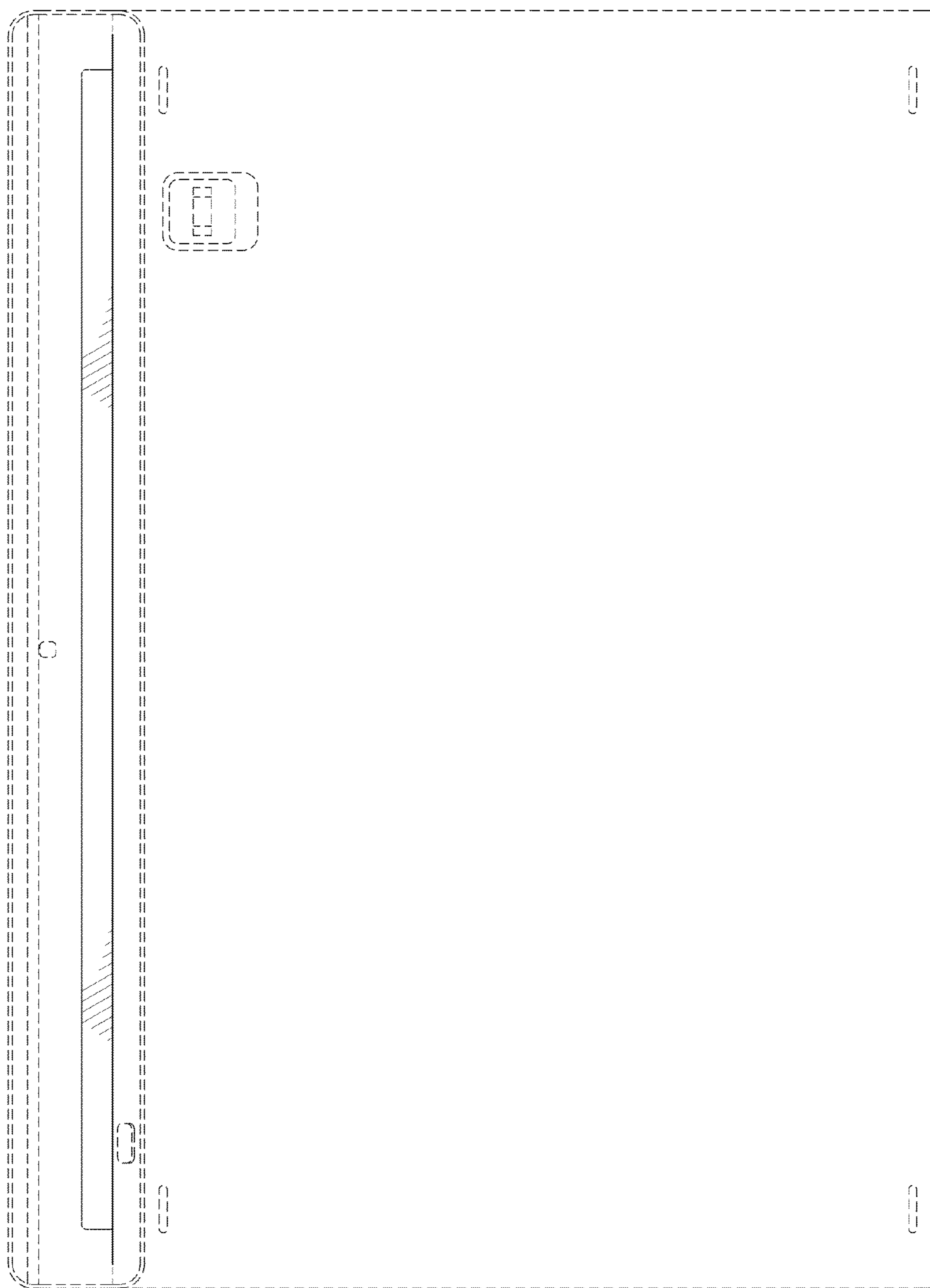


FIG. 14

UNITED STATES PATENT AND TRADEMARK OFFICE
CERTIFICATE OF CORRECTION

PATENT NO. : D756,993 S
APPLICATION NO. : 29/495378
DATED : May 24, 2016
INVENTOR(S) : Nicholas W. Oakley

Page 1 of 1

It is certified that error appears in the above-identified patent and that said Letters Patent is hereby corrected as shown below:

Title page, item (71), in column 1, in “Applicant”, line 1, delete “ckara,” and insert -- clara, --,
therefor.

Signed and Sealed this
Thirteenth Day of September, 2016



Michelle K. Lee
Director of the United States Patent and Trademark Office