



US00D756992S

(12) **United States Design Patent**
Feng et al.

(10) **Patent No.:** **US D756,992 S**

(45) **Date of Patent:** **** May 24, 2016**

(54) **ELECTRONIC DEVICE WITH CONTOURED CHANNELS**

(71) Applicant: **Intel Corporation**, Santa Clara, CA
(US)

(72) Inventors: **Cheng Feng**, Shanghai (CN); **Luting Liu**, Wuhan (CN)

(73) Assignee: **Intel Corporation**, Santa Clara, CA
(US)

(**) Term: **14 Years**

(21) Appl. No.: **29/477,910**

(22) Filed: **Dec. 28, 2013**

(51) **LOC (10) Cl.** **14-02**

(52) **U.S. Cl.**

USPC **D14/315**

(58) **Field of Classification Search**

USPC D14/315-327; D18/1, 2, 7, 11;
235/145 A, 145 R; 341/22, 23; 345/104,
345/156, 168, 169, 173; 361/679.08,
361/679.09, 679.11, 679.26, 679.27

CPC G06F 1/16; G06F 1/1616; H01R 35/02;
H03M 11/00; G09B 13/04; H03K 17/94

See application file for complete search history.

(56) **References Cited**

U.S. PATENT DOCUMENTS

D671,111 S * 11/2012 Kim et al. D14/315
D677,181 S * 3/2013 Lenz et al. D10/65
D682,828 S * 5/2013 Kim et al. D14/327
D686,202 S * 7/2013 Lee et al. D14/315
2005/0041378 A1 * 2/2005 Hamada et al. 361/680

* cited by examiner

Primary Examiner — Freda S Nunn

(74) *Attorney, Agent, or Firm* — Patent Capital Group

(57) **CLAIM**

The ornamental design for an electronic device with contoured channels, as shown and described.

DESCRIPTION

FIG. 1 is a perspective view of an electronic device with contoured channels according to our new design;

FIG. 2 is an enlarged Perspective view of a portion thereof as indicated in FIG. 1;

FIG. 3 is a front view thereof;

FIG. 4 is a back view thereof;

FIG. 5 is a side view thereof;

FIG. 6 is another side view thereof;

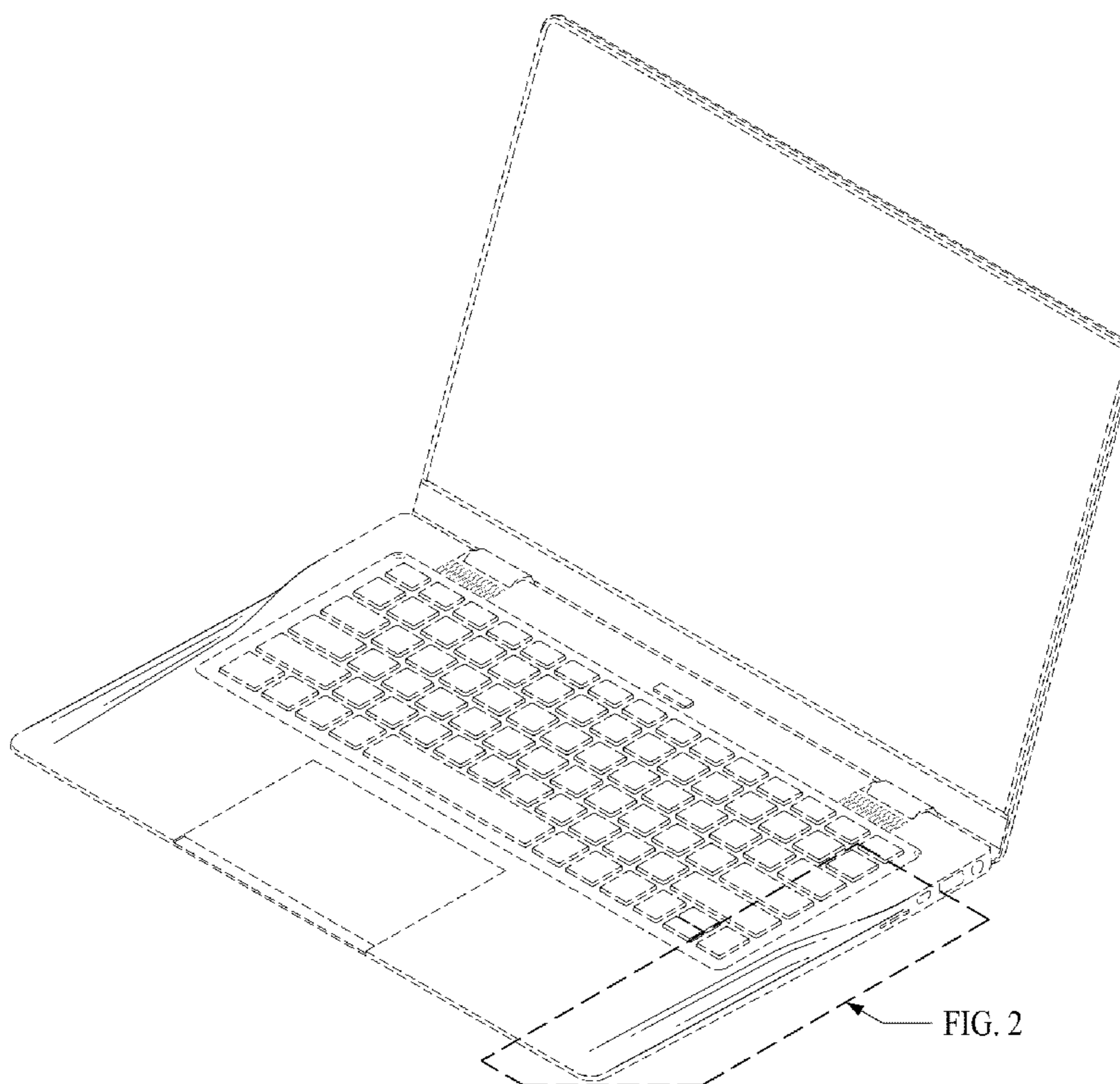
FIG. 7 is a top view thereof;

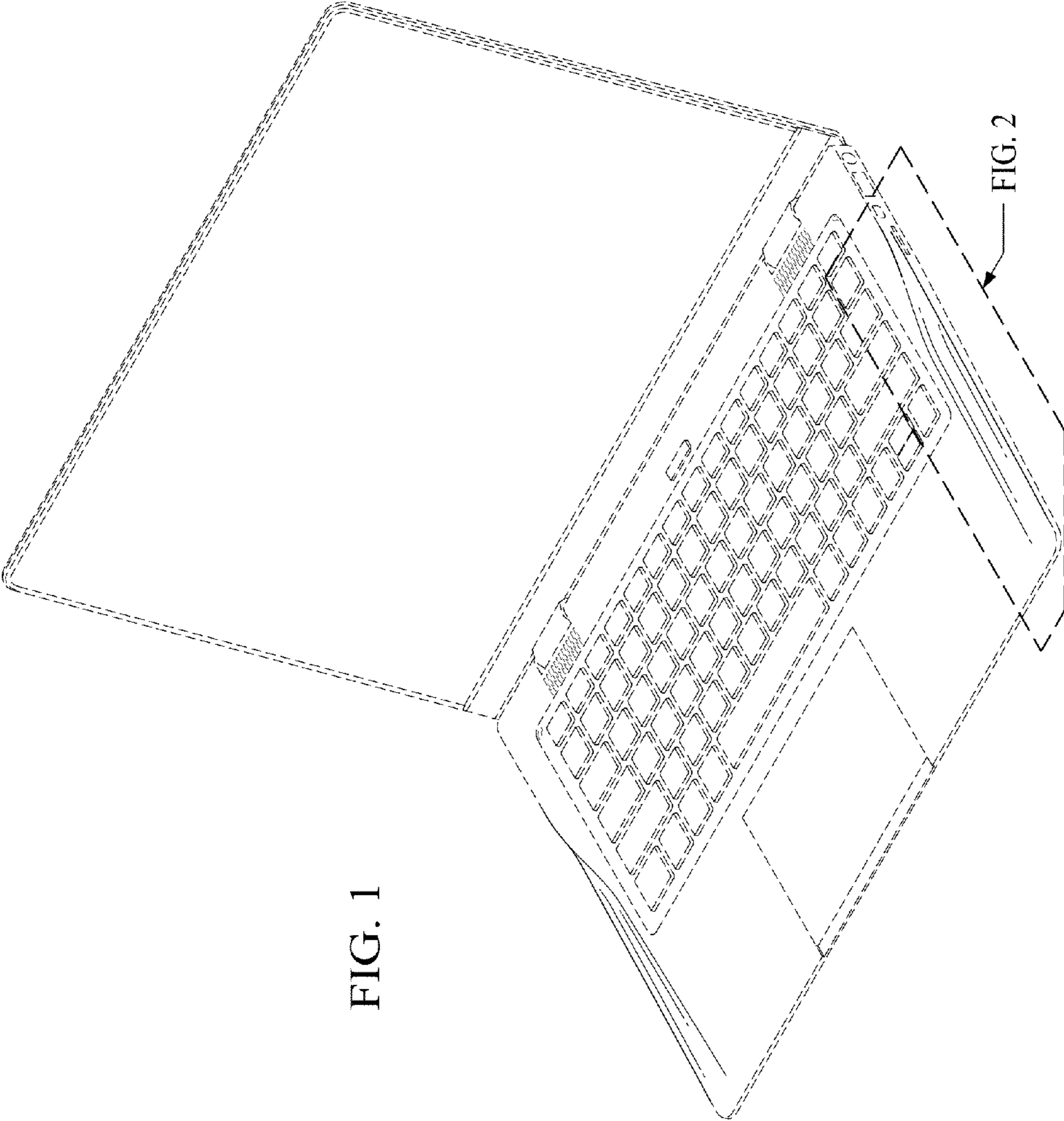
FIG. 8 is a bottom view thereof; and,

FIG. 9 an enlarged cross-sectional view thereof taken along line-9-9 in FIG. 7.

The broken lines of the figures depict environment only and form no part of the claimed design.

1 Claim, 9 Drawing Sheets





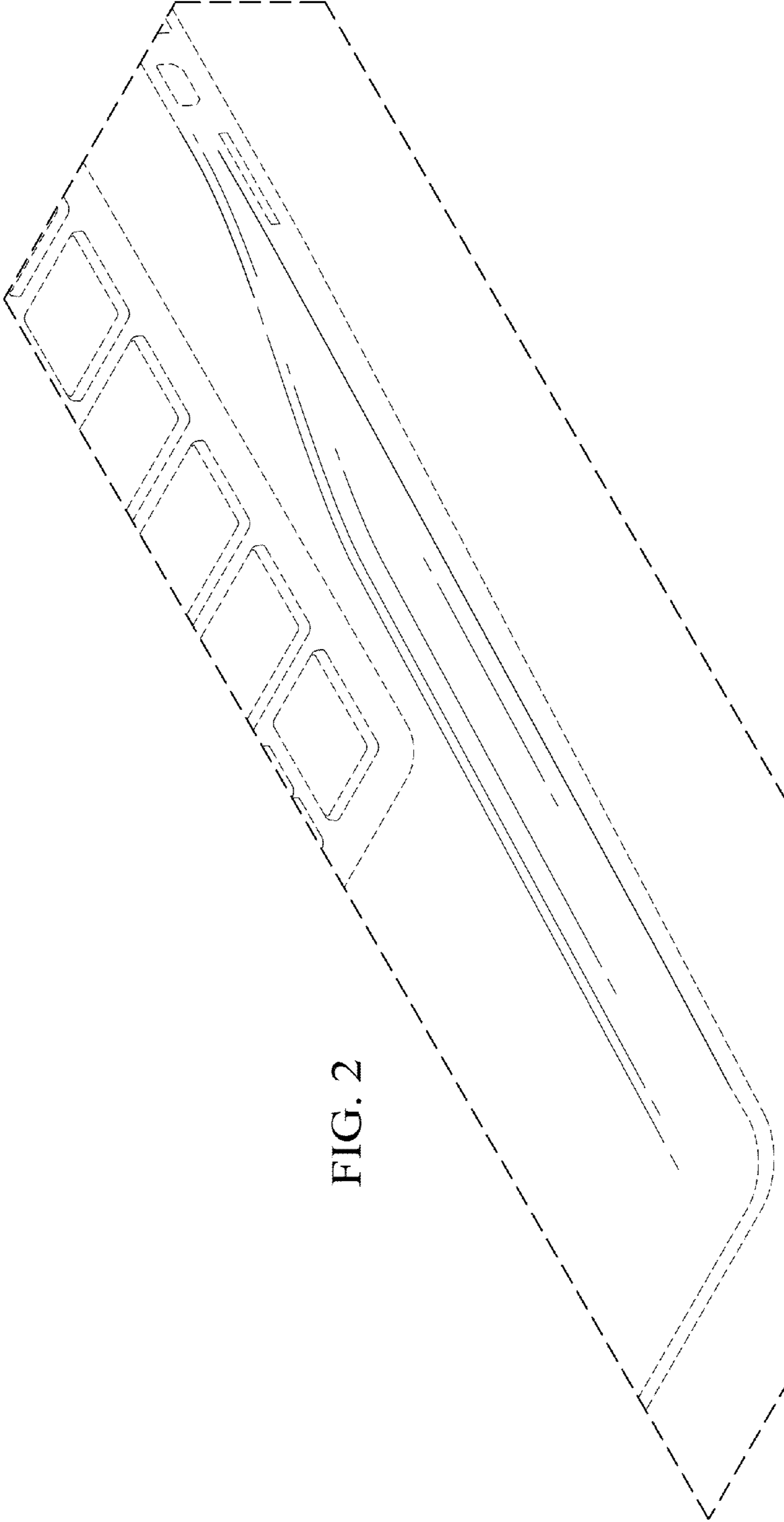


FIG. 2

FIG. 3

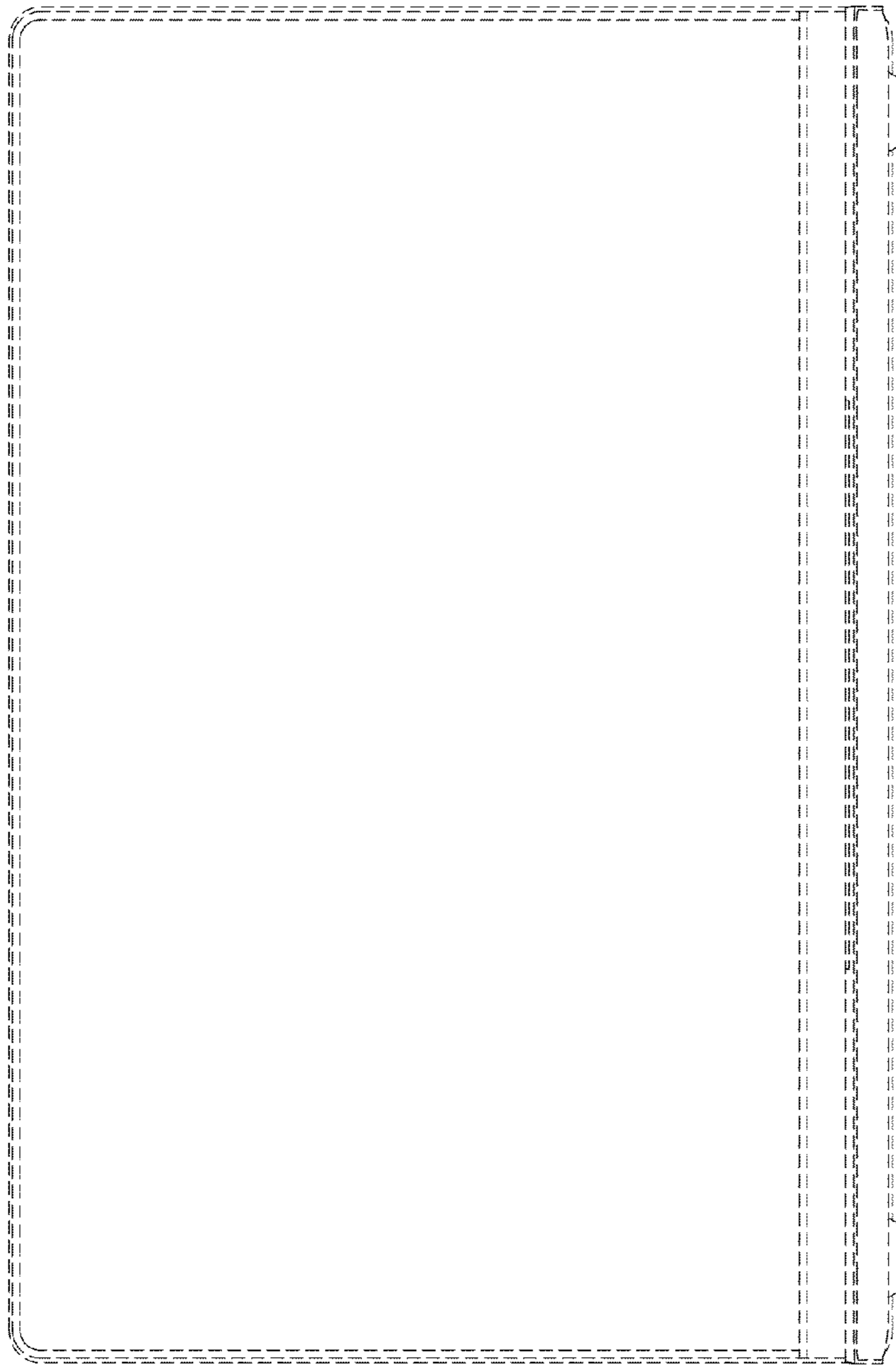


FIG. 4



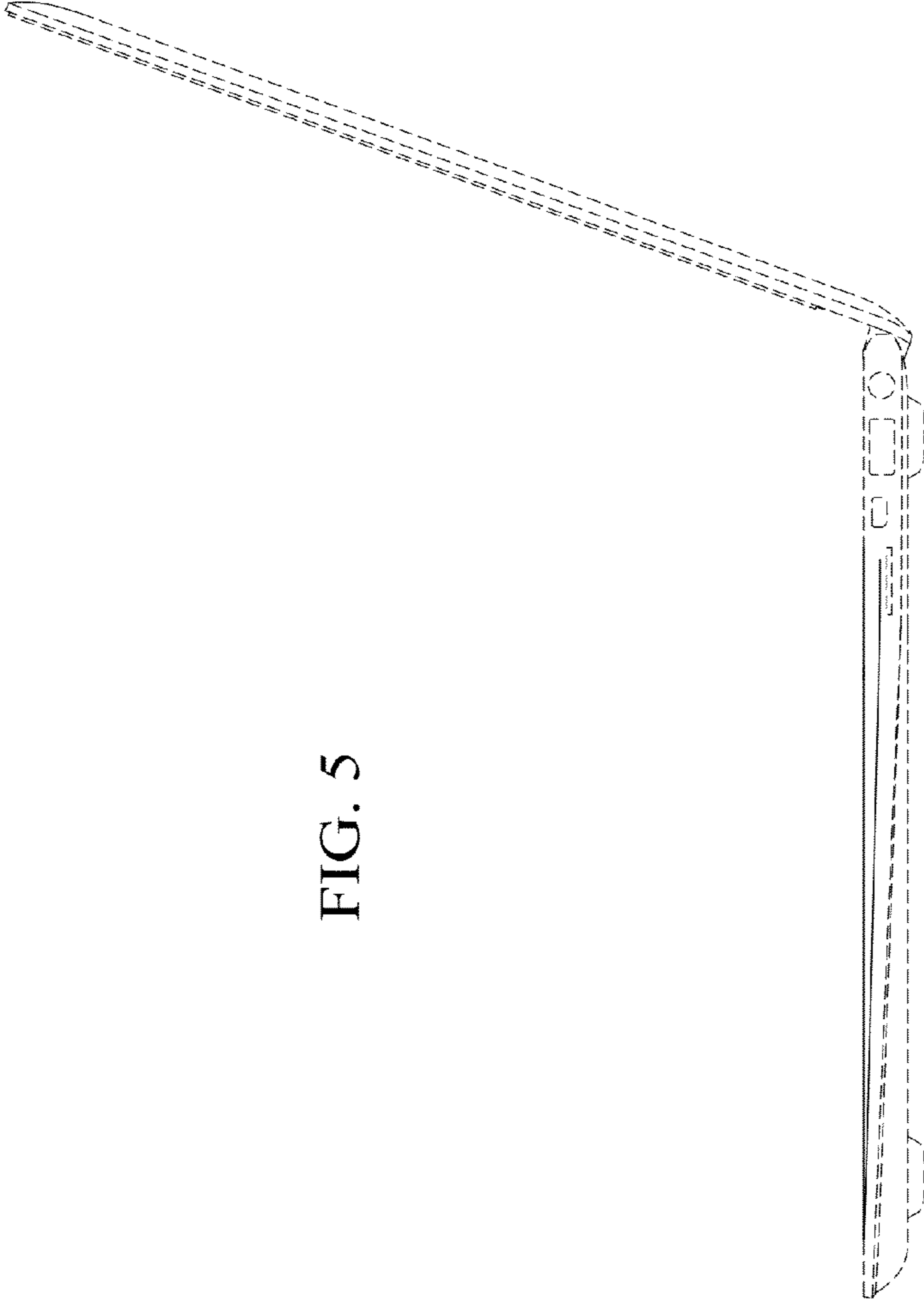


FIG. 5

FIG. 6

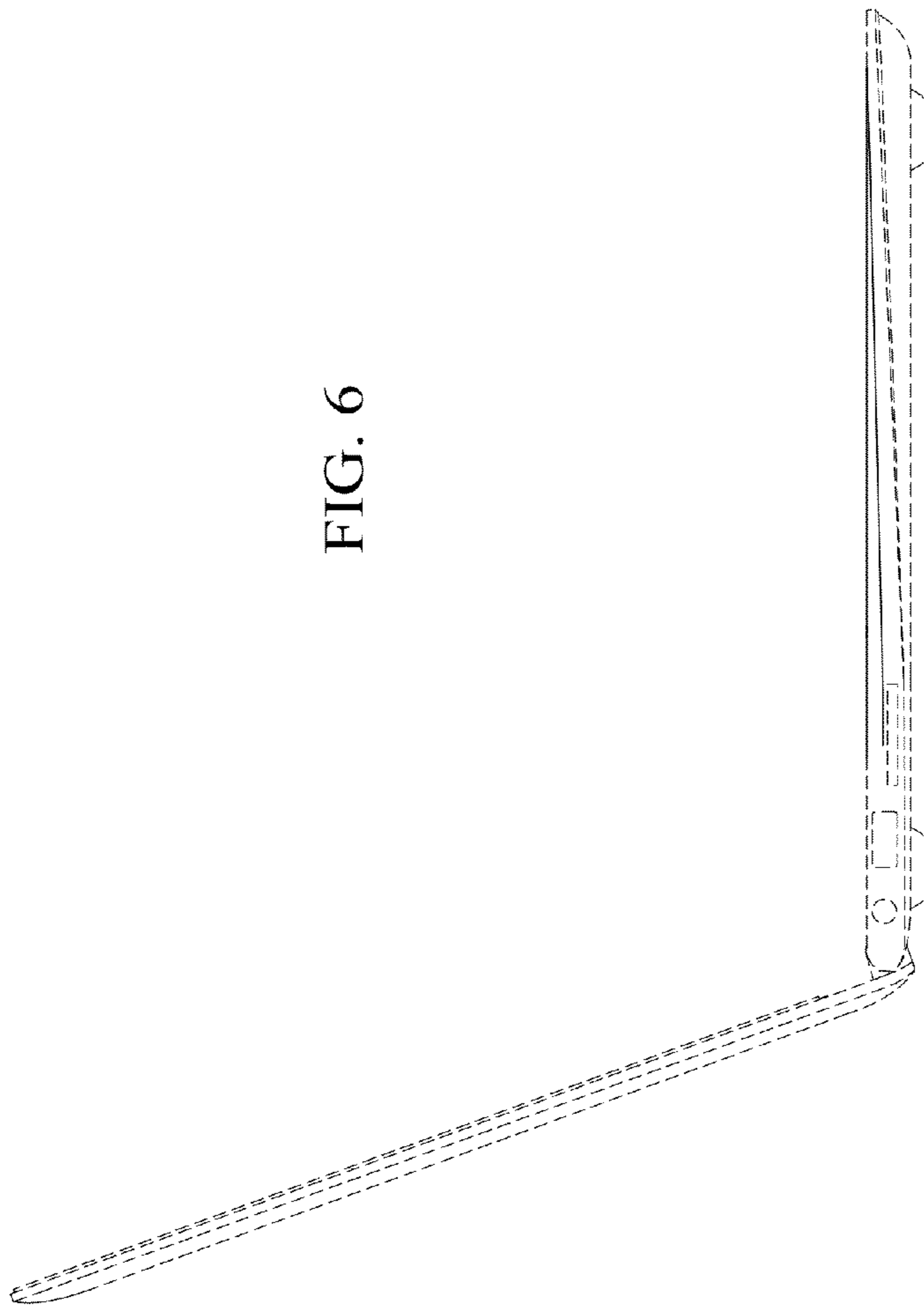


FIG. 7

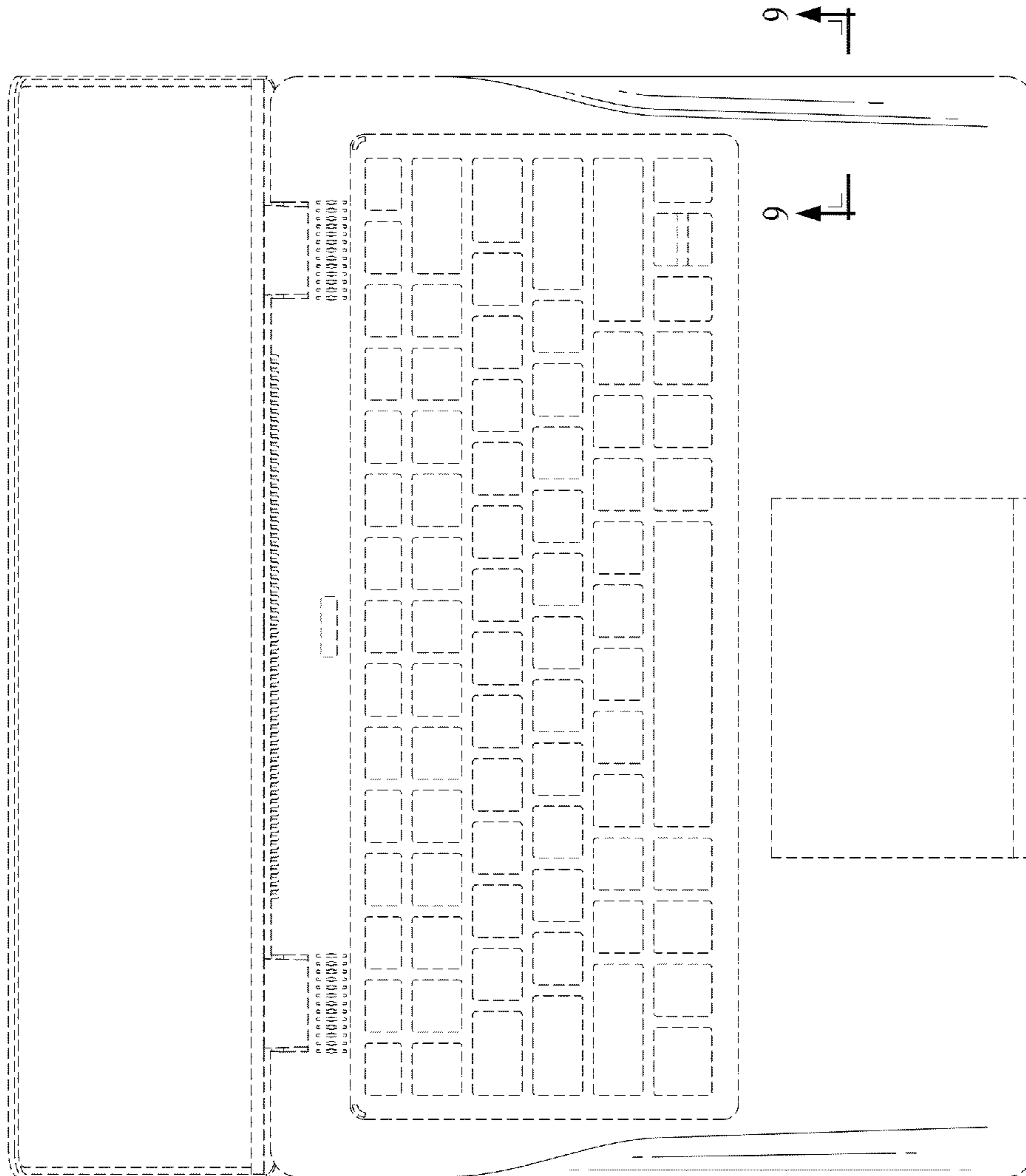


FIG. 8

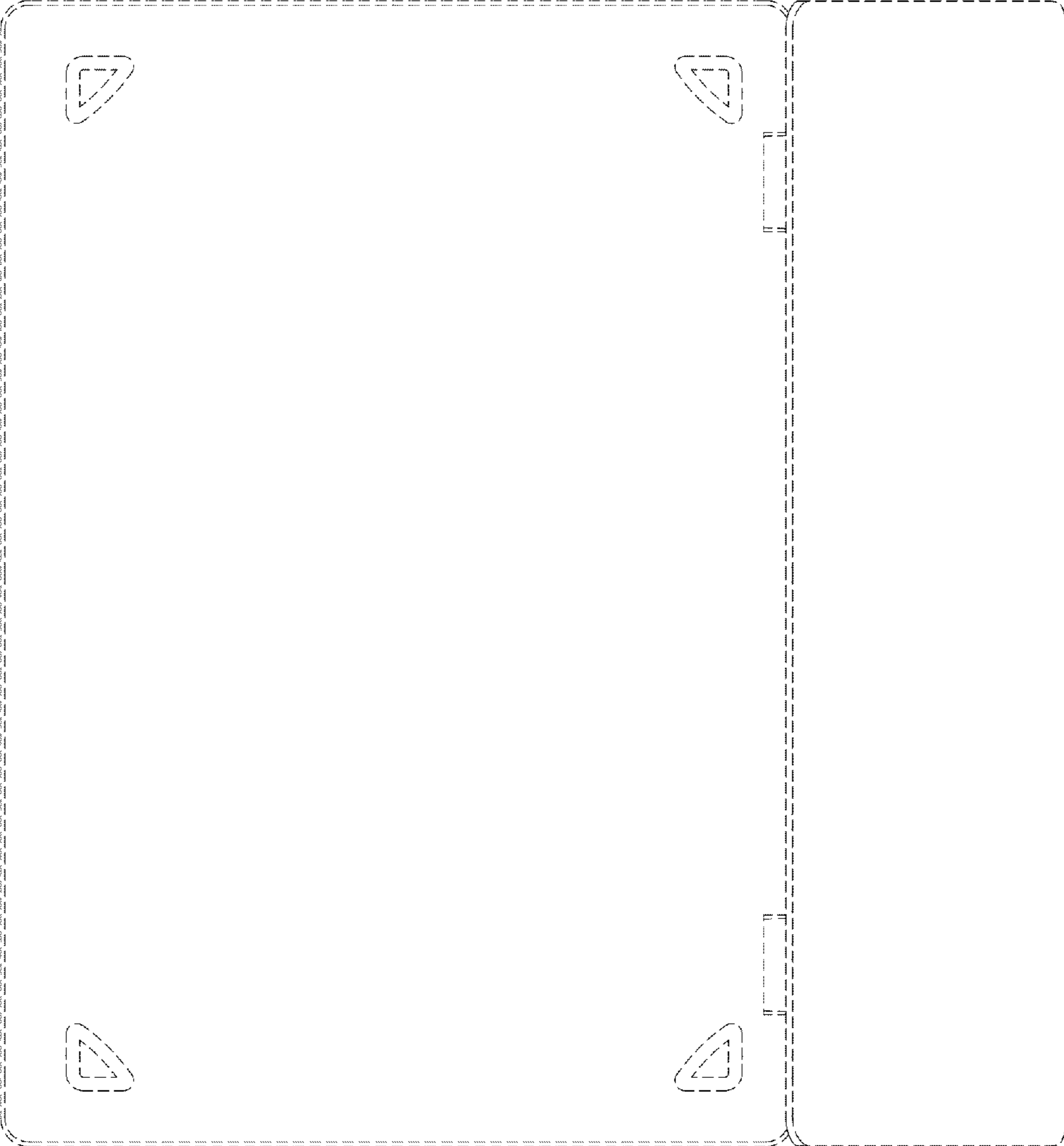
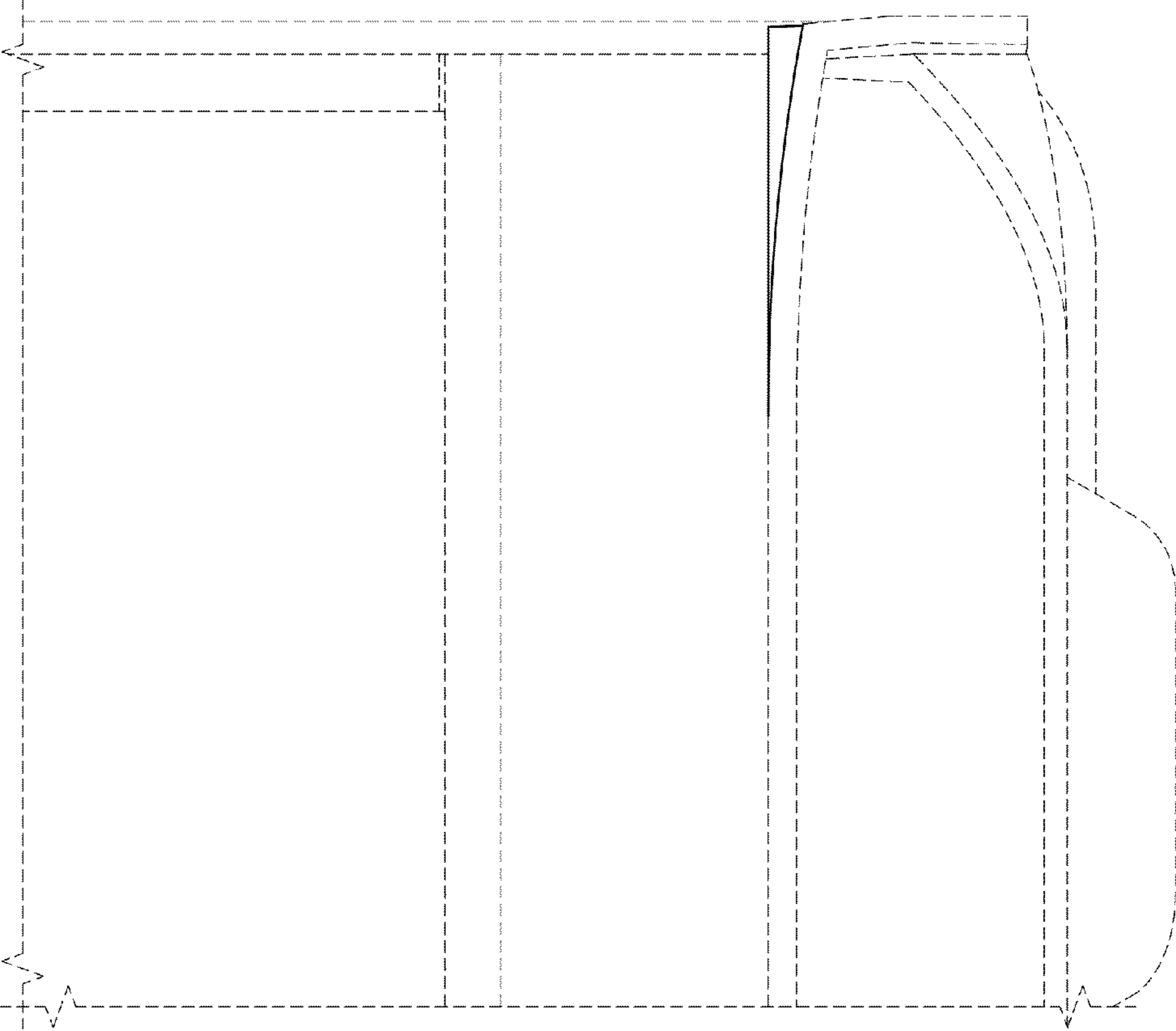


FIG. 9



UNITED STATES PATENT AND TRADEMARK OFFICE
CERTIFICATE OF CORRECTION

PATENT NO. : D756,992 S
APPLICATION NO. : 29/477910
DATED : May 24, 2016
INVENTOR(S) : Cheng Feng et al.

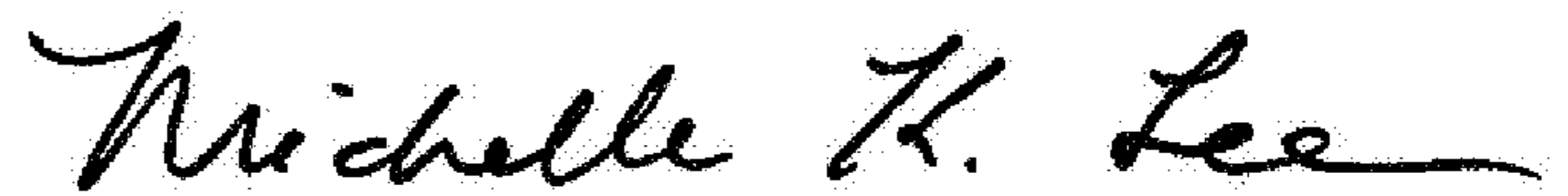
Page 1 of 1

It is certified that error appears in the above-identified patent and that said Letters Patent is hereby corrected as shown below:

On the Title Page

In Column 2, below description, Line 3, delete "Perspective" and insert -- perspective --, therefor.

Signed and Sealed this
Twenty-eighth Day of March, 2017



Michelle K. Lee
Director of the United States Patent and Trademark Office