



US00D756987S

(12) **United States Design Patent**
Taing

(10) **Patent No.:** **US D756,987 S**

(45) **Date of Patent:** **** May 24, 2016**

(54) **CAR MOUNT**

(71) Applicant: **Susan Taing**, New York, NY (US)

(72) Inventor: **Susan Taing**, New York, NY (US)

(**) Term: **14 Years**

(21) Appl. No.: **29/511,073**

(22) Filed: **Dec. 5, 2014**

(51) **LOC (10) Cl.** **14-03**

(52) **U.S. Cl.**
USPC **D14/253**

(58) **Field of Classification Search**
USPC D14/253, 251, 240, 217, 496, 440, 423,
D14/447, 439, 432, 300; D8/381, 323
CPC H04M 1/00; H04M 1/04; H04M 1/06;
H04M 1/11
See application file for complete search history.

(56) **References Cited**

U.S. PATENT DOCUMENTS

D656,931 S * 4/2012 Wikel D14/253
D689,045 S * 9/2013 Mardas D14/253

D707,221 S * 6/2014 Hodapp D14/253
D714,775 S * 10/2014 Yoo D14/253
D721,074 S * 1/2015 Harris D14/253
D723,536 S * 3/2015 Werth D14/253

* cited by examiner

Primary Examiner — Cynthia Underwood

(74) *Attorney, Agent, or Firm* — Fish & Richardson P.C.

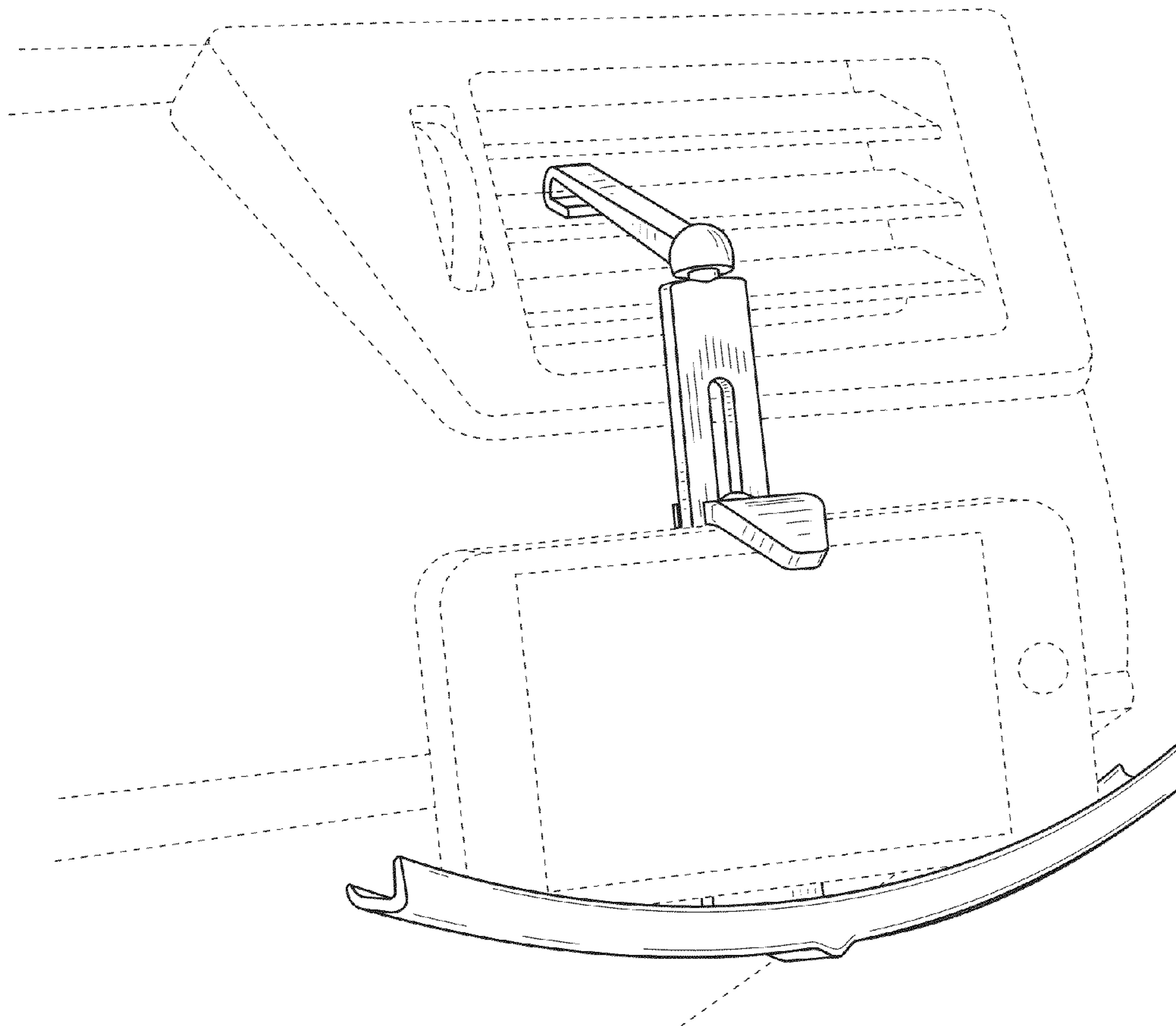
(57) **CLAIM**

The ornamental design for a car mount, substantially as shown and described.

DESCRIPTION

FIG. 1 is a perspective view of the car mount;
FIG. 2 is a front view thereof;
FIG. 3 is a back view thereof;
FIG. 4 is a left view thereof;
FIG. 5 is a right view thereof;
FIG. 6 is a top thereof;
FIG. 7 is a bottom view thereof; and,
FIG. 8 is a perspective view shown in an environment of use.
The broken lines depict environment and form no part of the claim.

1 Claim, 5 Drawing Sheets



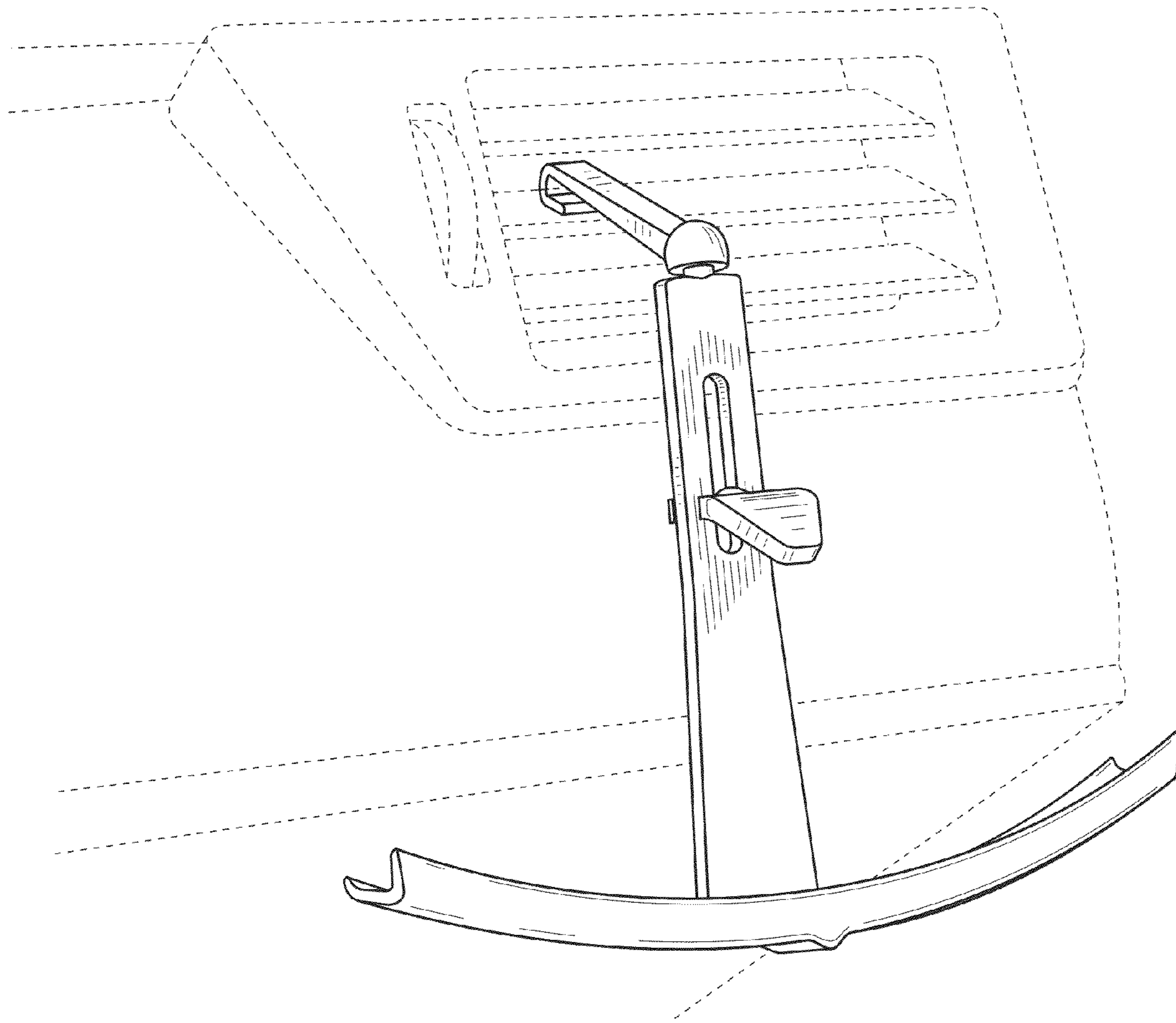


FIG. 1

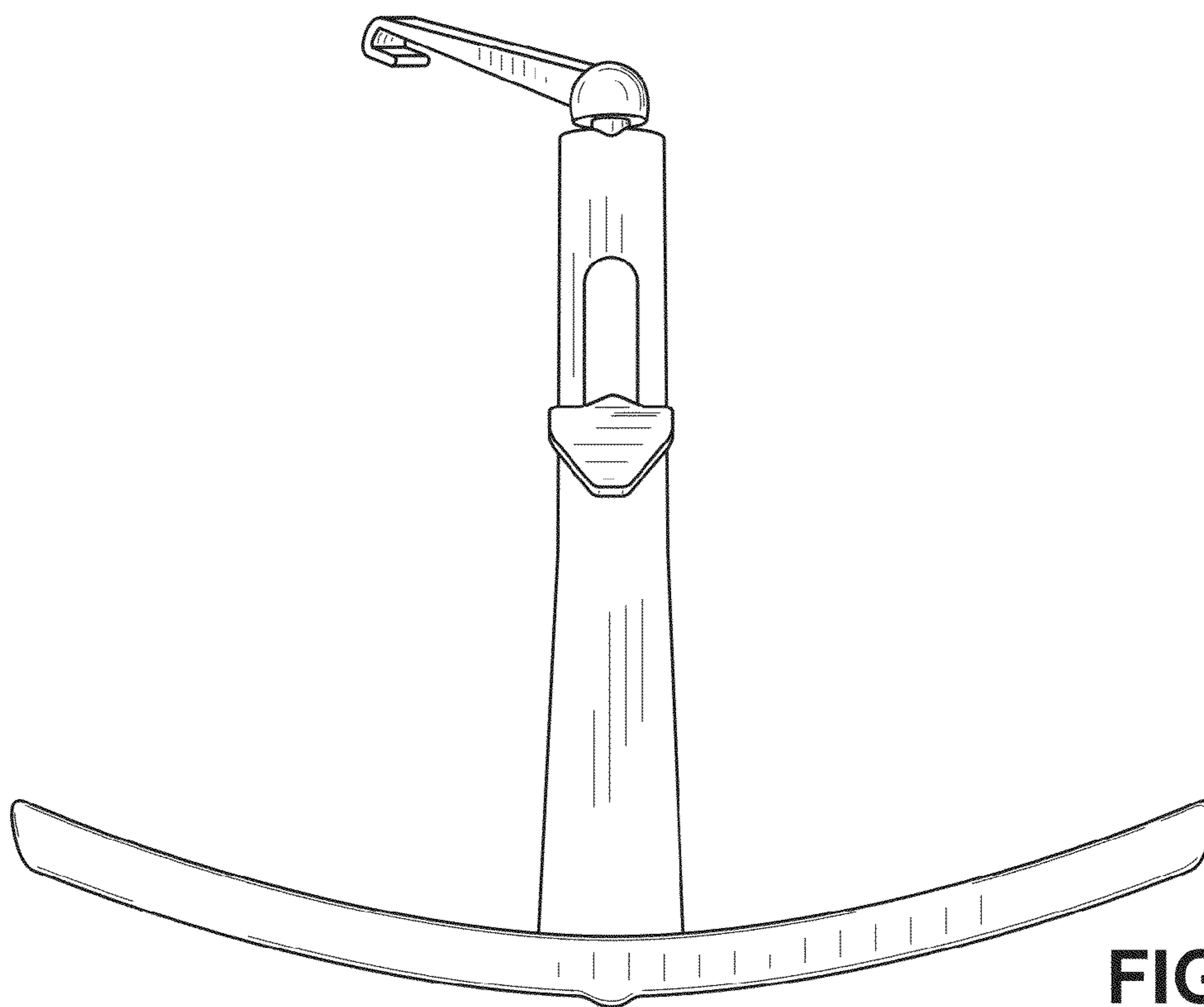


FIG. 2

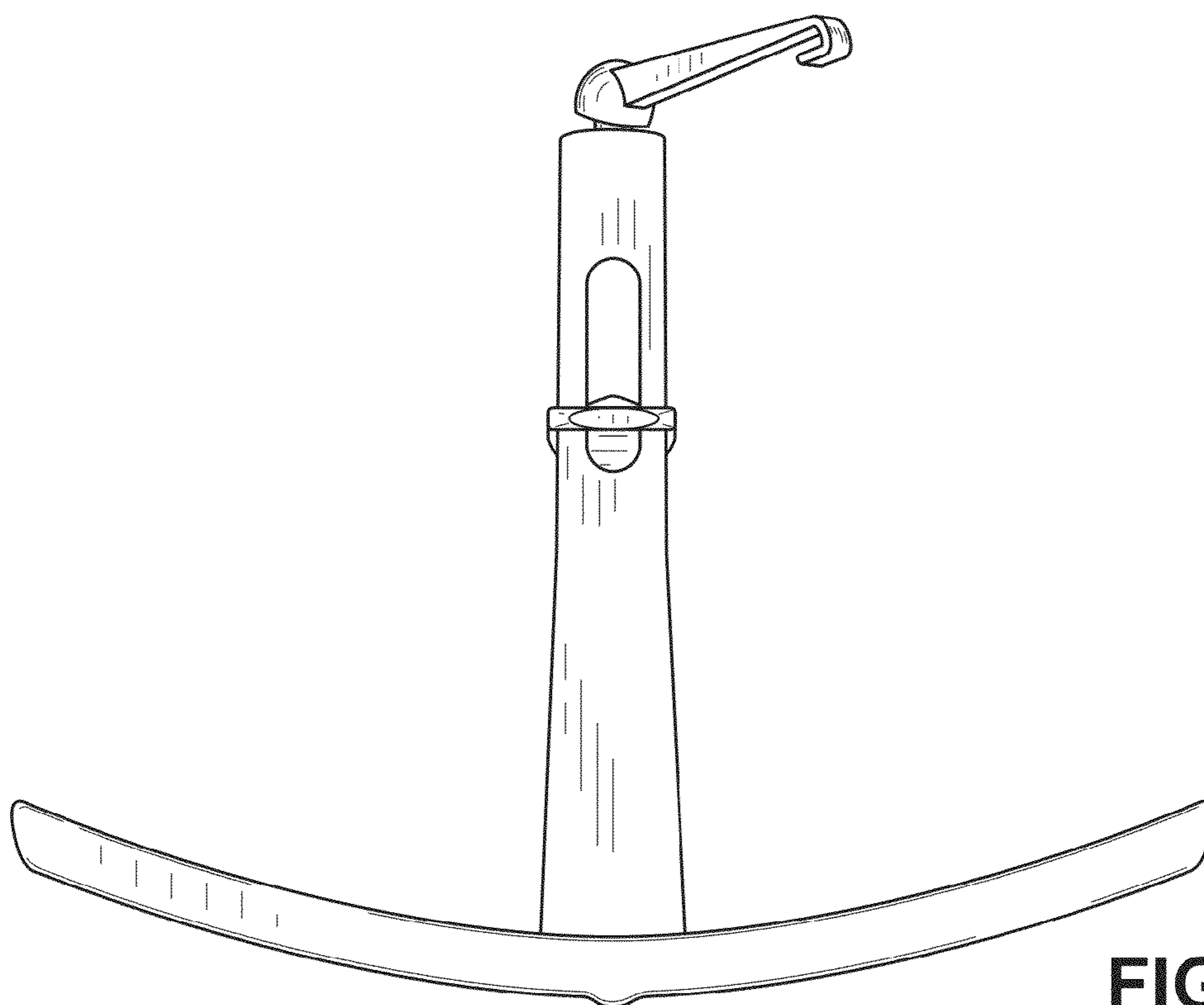


FIG. 3

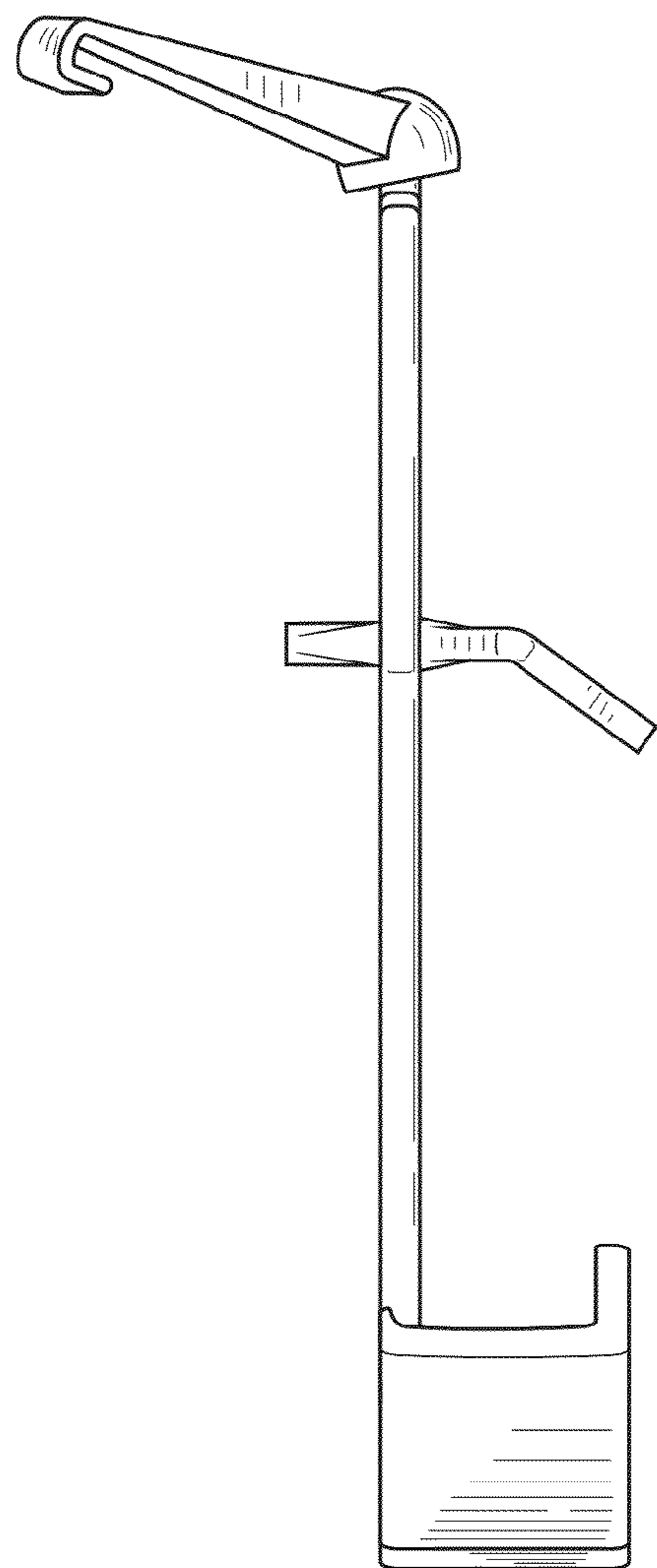


FIG. 4

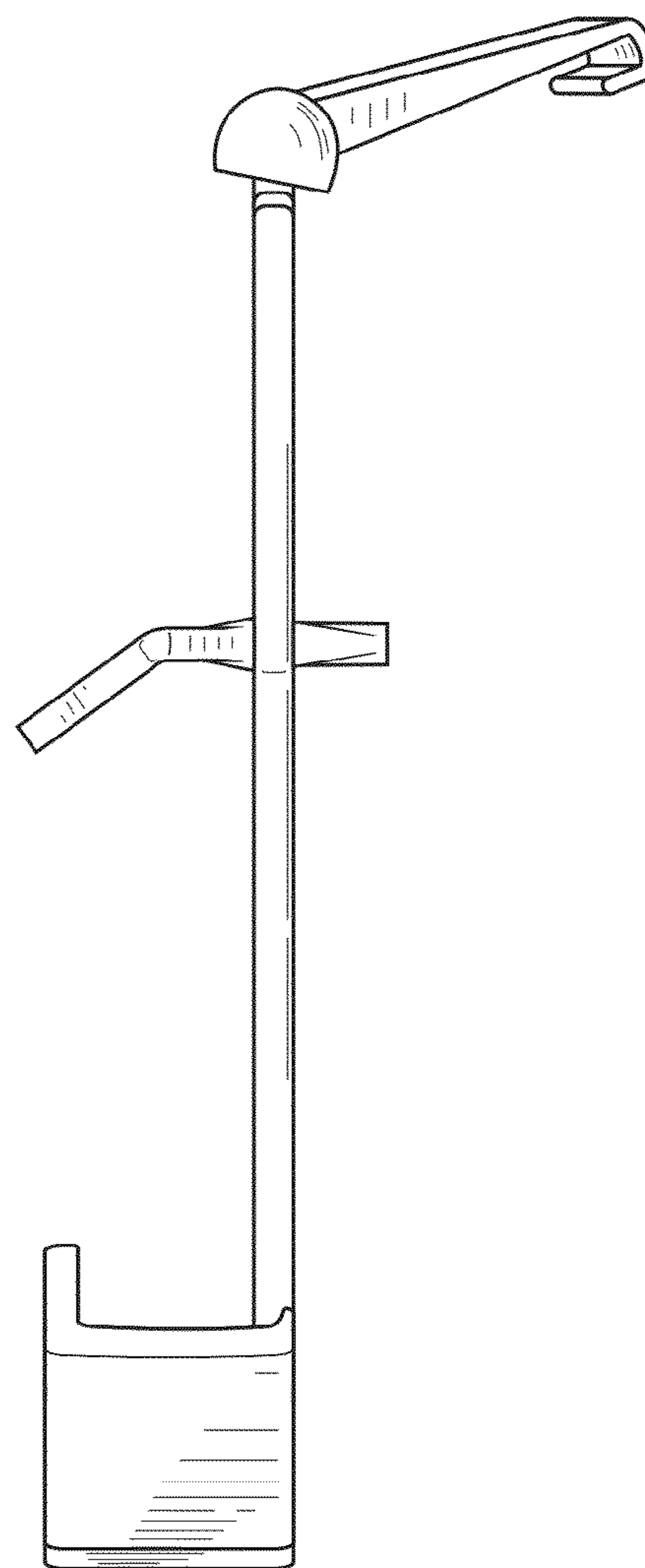


FIG. 5

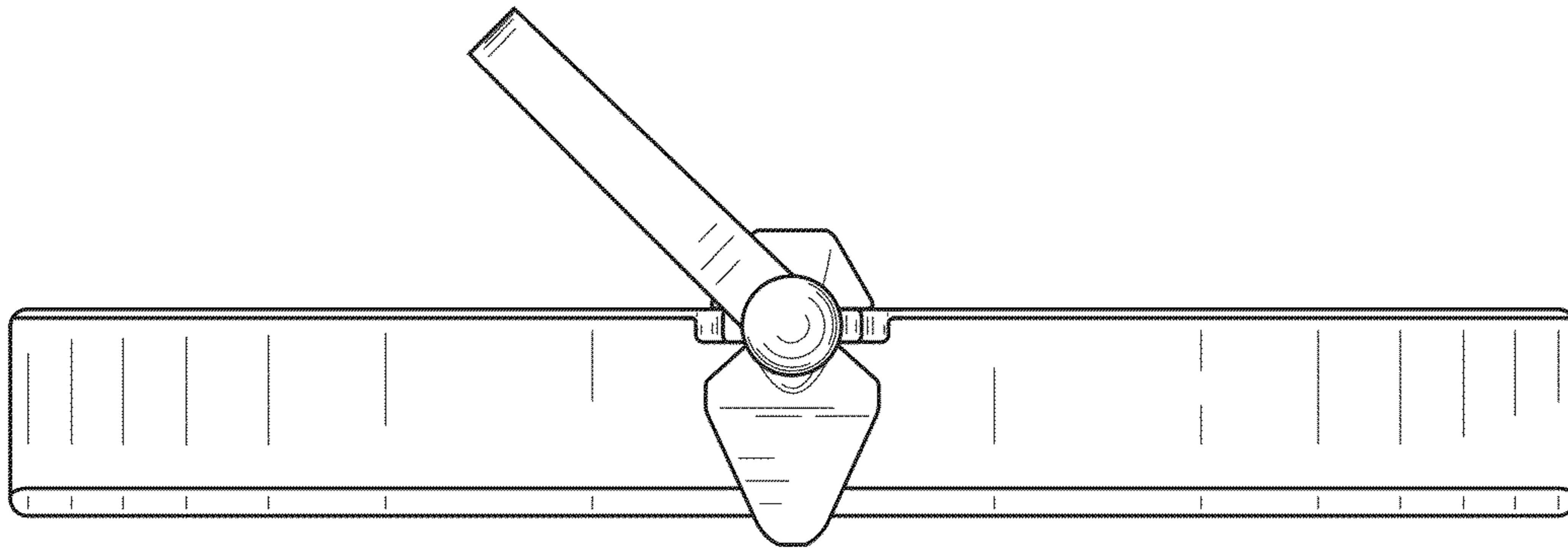


FIG. 6

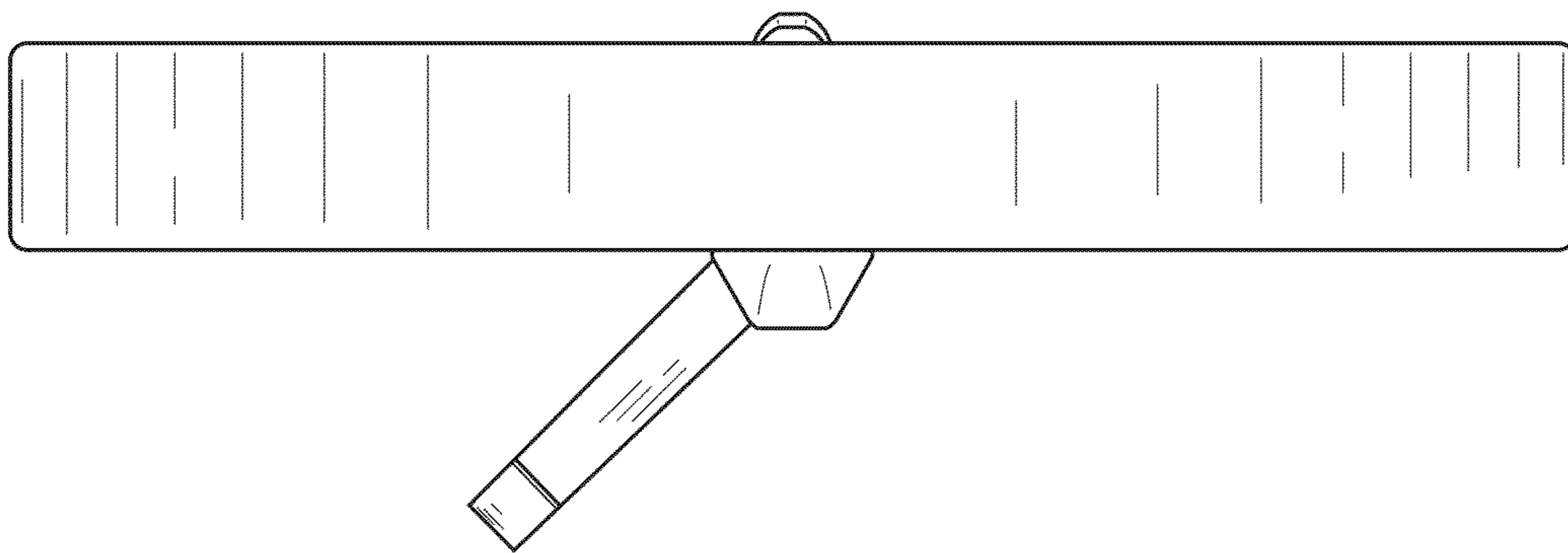


FIG. 7

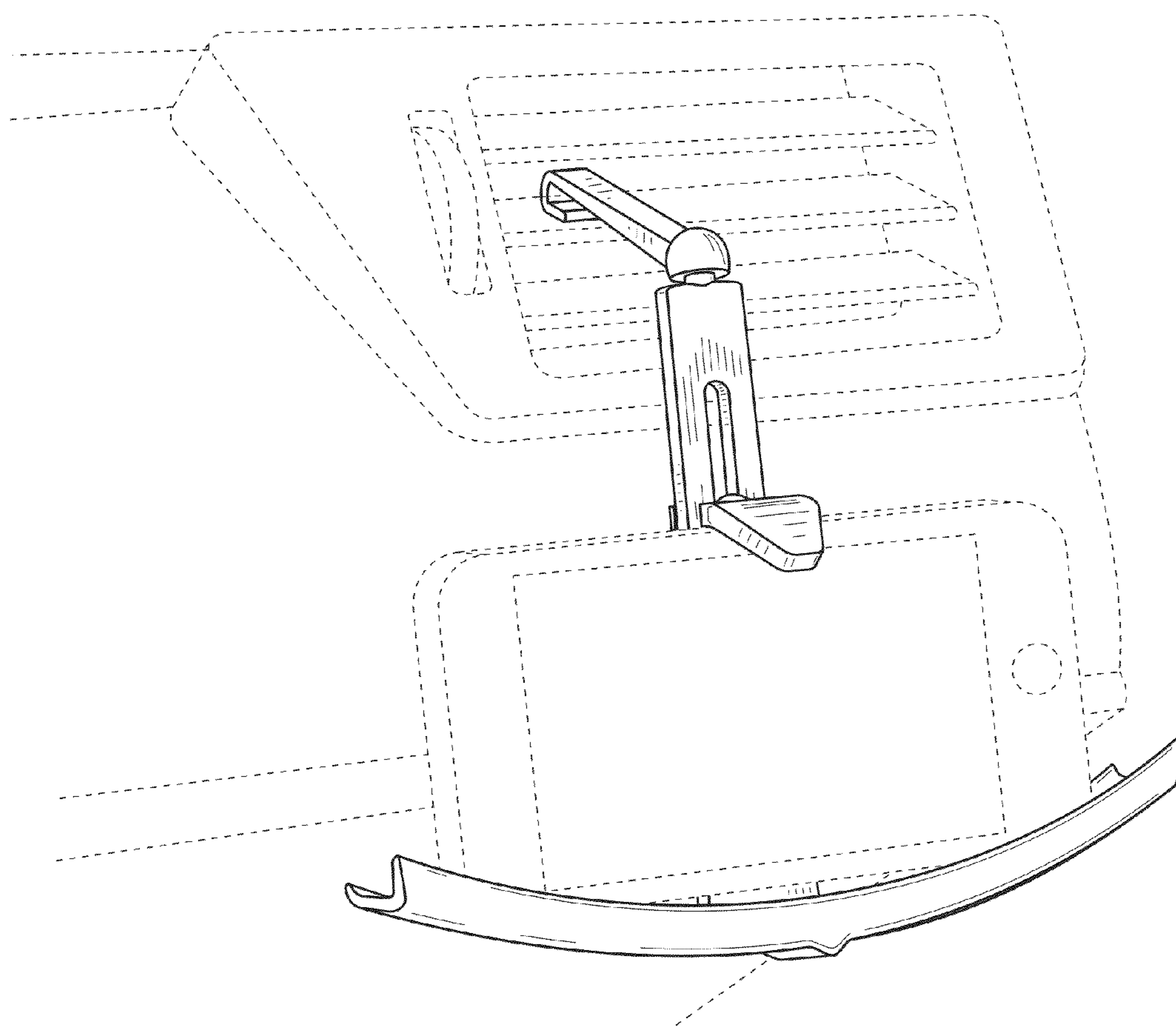


FIG. 8