



US00D756985S

(12) **United States Design Patent**
Akana et al.

(10) **Patent No.:** **US D756,985 S**

(45) **Date of Patent:** **** *May 24, 2016**

(54) **CASE FOR ELECTRONIC DEVICE**

(71) Applicant: **Apple Inc.**, Cupertino, CA (US)

(72) Inventors: **Jody Akana**, San Francisco, CA (US);
Bartley K. Andre, Palo Alto, CA (US);
Shota Aoyagi, San Francisco, CA (US);
Jeremy Bataillou, San Francisco, CA
(US); **Daniel J. Coster**, San Francisco,
CA (US); **Daniele De Iuliis**, San
Francisco, CA (US); **M. Evans Hankey**,
San Francisco, CA (US); **Julian Hoenig**,
San Francisco, CA (US); **Richard P.**
Howarth, San Francisco, CA (US);
Jonathan P. Ive, San Francisco, CA
(US); **Duncan Robert Kerr**, San
Francisco, CA (US); **Matthew Dean**
Rohrbach, San Francisco, CA (US);
Peter Russell-Clarke, San Francisco,
CA (US); **Mikael Silvanto**, San
Francisco, CA (US); **Christopher J.**
Stringer, Woodside, CA (US); **Eugene**
Antony Whang, San Francisco, CA
(US); **Rico Zörkendörfer**, San
Francisco, CA (US)

(73) Assignee: **Apple Inc.**, Cupertino, CA (US)

(*) Notice: This patent is subject to a terminal dis-
claimer.

(**) Term: **15 Years**

(21) Appl. No.: **29/528,109**

(22) Filed: **May 26, 2015**

Related U.S. Application Data

(63) Continuation of application No. 29/469,647, filed on
Oct. 11, 2013, now Pat. No. Des. 731,473, which is a
continuation-in-part of application No. 29/466,599,
filed on Sep. 10, 2013, now Pat. No. Des. 730,340.

(51) **LOC (10) Cl.** 14-03

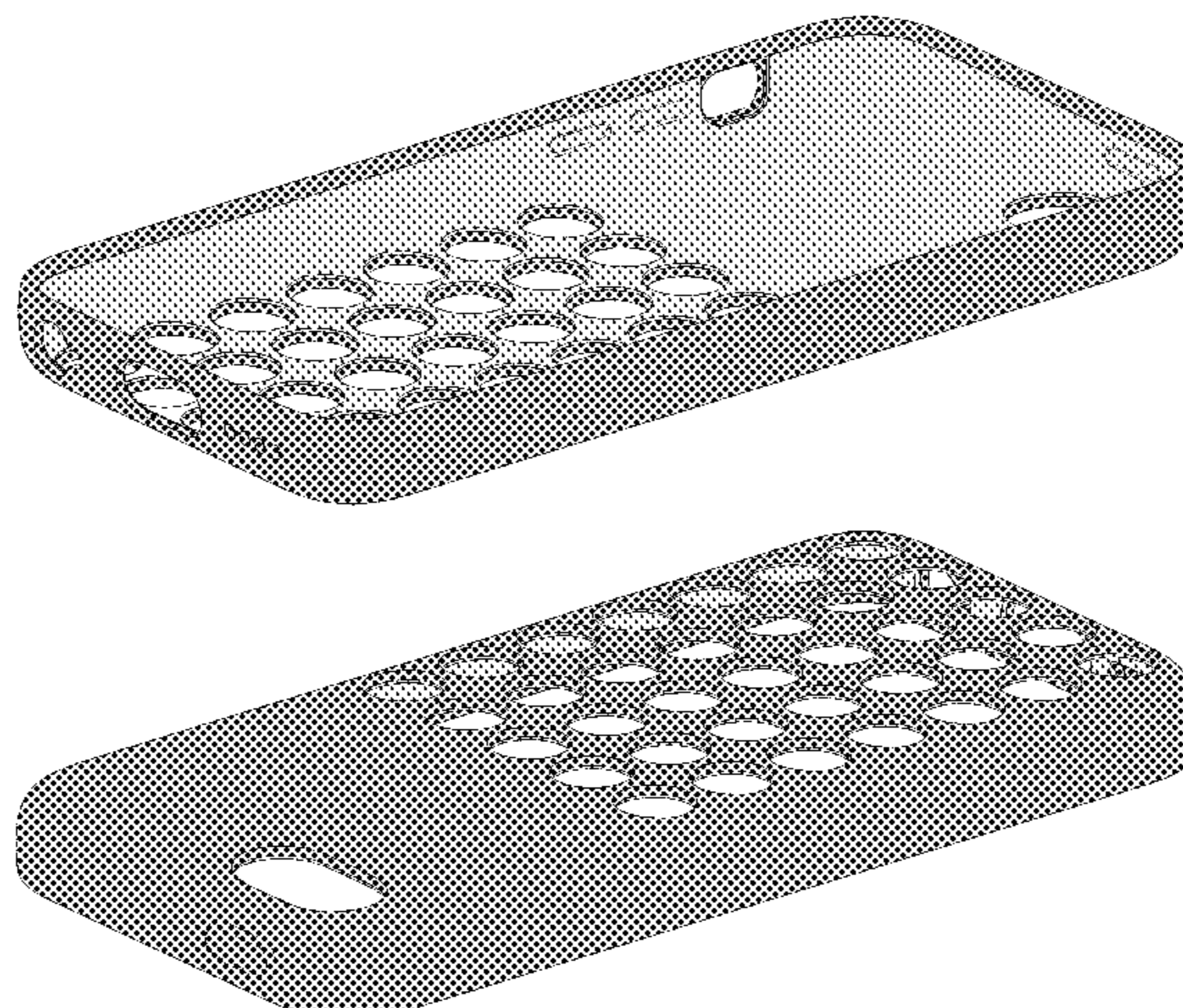
(52) **U.S. Cl.**
USPC **D14/250**

(58) **Field of Classification Search**
USPC D14/250-253, 440, 203.3-203.7, 217,
D14/496, 248, 238.1, 240, 447, 230, 247,
D14/341, 345, 346, 439; D3/201, 218, 269,
D3/301, 273, 303; D13/103, 107-108;
220/4.02; 248/309.1; 361/679.56;
379/426, 433.11, 455; 455/575.1,
455/575.8; 190/100; 206/305, 320
CPC A45C 2011/002; A45C 11/00; A45C
13/002; A45C 2011/003; H04M 1/0283;
H04M 1/0202; H04M 1/185; H04B 1/3888
See application file for complete search history.

(56) **References Cited**

U.S. PATENT DOCUMENTS

D114,891 S	5/1939	Fogel
D191,070 S	8/1961	McCreery
D332,664 S	1/1993	Sincock
D411,448 S	6/1999	Baker
D556,681 S	12/2007	Kim
D574,819 S	8/2008	Andre et al.
D575,056 S	8/2008	Tan
7,697,281 B2	4/2010	Dabov et al.
D619,361 S	7/2010	Andre et al.
D622,716 S	8/2010	Andre et al.
D623,180 S	9/2010	Diebel
D624,403 S	9/2010	Hansen et al.
7,796,381 B2	9/2010	Zuo et al.
D624,815 S	10/2010	Hansen et al.
D625,524 S	10/2010	Schwartz et al.
D641,347 S	7/2011	Fathollahi
D644,218 S	8/2011	Akana et al.
D647,519 S	10/2011	Rothbaum et al.
D648,718 S	11/2011	Andre et al.
8,106,836 B2	1/2012	Hill et al.
8,116,073 B2	2/2012	Hung et al.
D659,132 S	5/2012	Wen
D662,503 S	6/2012	Akana et al.
D662,922 S	7/2012	Akana et al.
8,250,724 B2	8/2012	Dabov et al.
D668,246 S	10/2012	Fathollahi
D669,458 S	10/2012	Wilson et al.
D671,109 S	11/2012	Rothbaum et al.
D671,930 S	12/2012	Akana et al.
D675,604 S	2/2013	Limber et al.
D677,664 S	3/2013	Akana et al.



D681,032	S	4/2013	Akana et al.	
D682,817	S	5/2013	Murchison et al.	
8,443,971	B1	5/2013	Green et al.	
D690,708	S *	10/2013	Smith	D14/447
D692,878	S	11/2013	Akana et al.	
D694,226	S	11/2013	Thompson et al.	
D697,068	S	1/2014	Andre et al.	
D697,503	S *	1/2014	Melanson	D14/250
D697,511	S	1/2014	Andre et al.	
D699,717	S	2/2014	Akana et al.	
8,655,422	B2	2/2014	Stiehl et al.	
D717,775	S	11/2014	Hemesath et al.	
D719,559	S	12/2014	Dukerschein et al.	
D719,945	S *	12/2014	Chiang	D14/250
D720,735	S *	1/2015	Turocy	D14/250
D722,309	S	2/2015	Green et al.	
D723,567	S	3/2015	Akana et al.	
D725,379	S *	3/2015	Dixon	D3/218
D726,703	S *	4/2015	Akana	D14/250
D730,340	S *	5/2015	Akana	D14/250
D731,473	S *	6/2015	Akana	D14/250
D733,696	S *	7/2015	Burgett	D14/250
D740,267	S *	10/2015	Diebel	D14/250
D742,869	S *	11/2015	Odhwani	D14/250
D744,994	S *	12/2015	Akana	D14/250
2007/0259247	A1	11/2007	Kibune et al.	
2008/0182633	A1	7/2008	Imaizumi et al.	
2010/0146766	A1	6/2010	Dabov et al.	
2012/0274195	A1	11/2012	Thompson et al.	
2014/0378193	A1 *	12/2014	Biancamano	H04B 1/3888 455/575.8

FOREIGN PATENT DOCUMENTS

EM	000581210-0001	9/2006
EM	002085373-0001	8/2012
KR	300408147	3/2006
TW	D125373	10/2008
TW	D145513	2/2012

OTHER PUBLICATIONS

U.S. Appl. No. 29/452,631, filed Apr. 18, 2013.

* cited by examiner

Primary Examiner — Sandra Snapp
Assistant Examiner — Holly E Thurman
 (74) *Attorney, Agent, or Firm* — Sterne, Kessler, Goldstein & Fox P.L.L.C.

(57) **CLAIM**

The ornamental design for a case for electronic device, as shown and described.

DESCRIPTION

FIG. 1 is a bottom front perspective view of a case for electronic device showing our new design;
 FIG. 2 is a top rear perspective view thereof;
 FIG. 3 is a front view thereof;
 FIG. 4 is a rear view thereof;
 FIG. 5 is a left side view thereof;
 FIG. 6 is a right side view thereof;
 FIG. 7 is a top view thereof; and,
 FIG. 8 is a bottom view thereof.

The light gray shading and dark gray shading in Figures represent the appearance of contrasting surfaces. Areas of the case for electronic device that appear in different shades represent contrasting appearances (e.g., the lighter and darker grays shown).

1 Claim, 6 Drawing Sheets

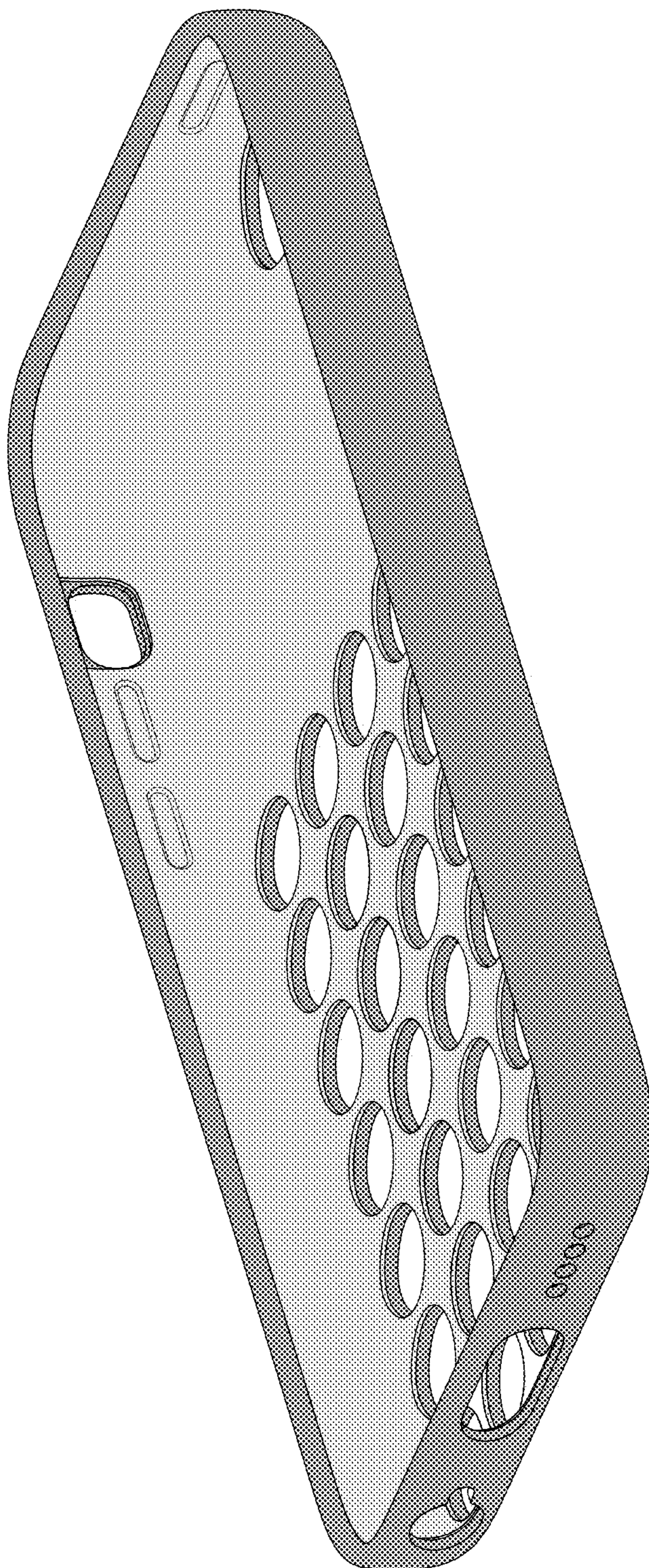


FIG. 1

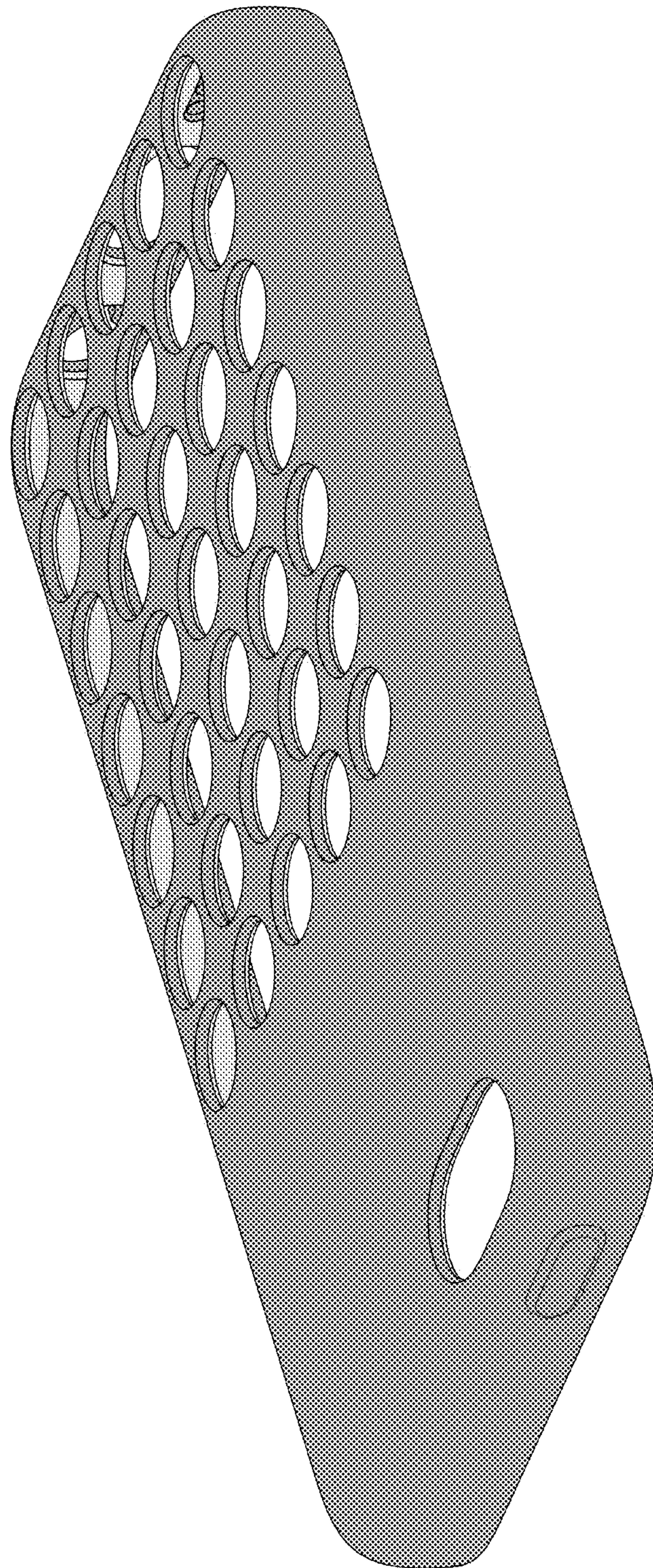


FIG. 2

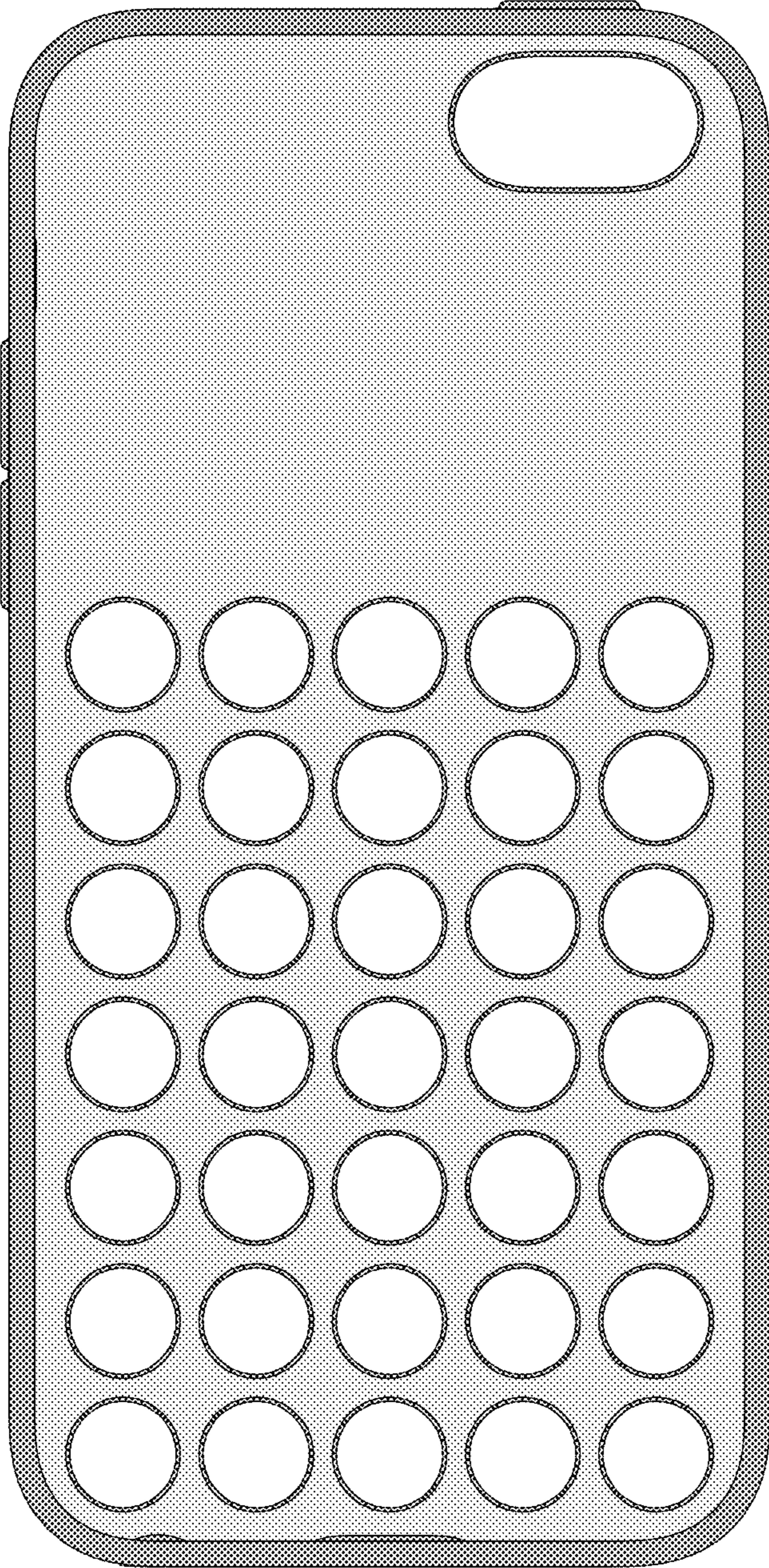


FIG. 3

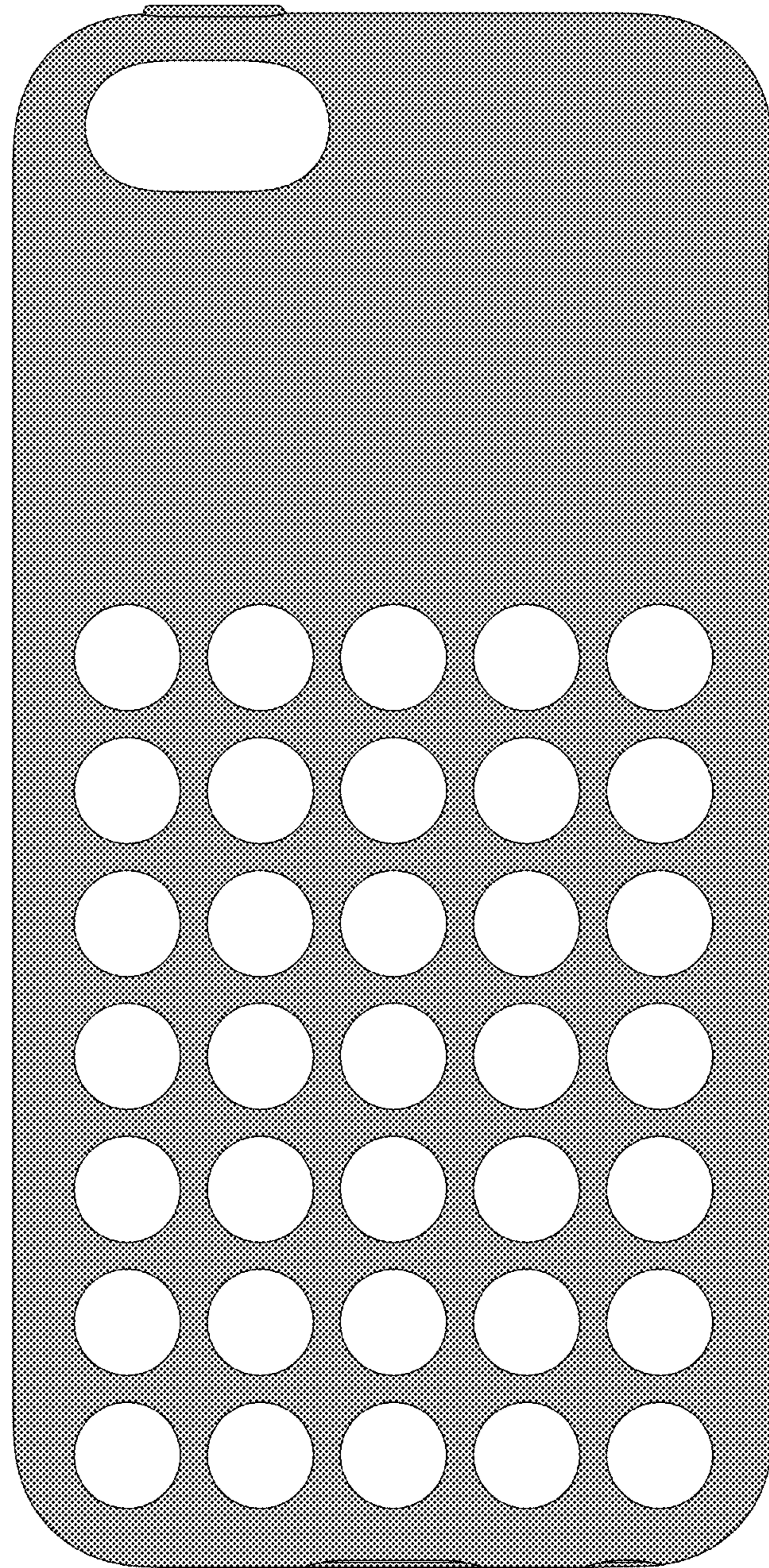


FIG. 4

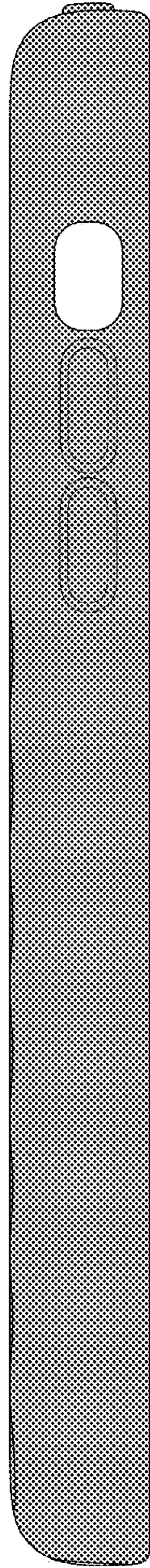


FIG. 5

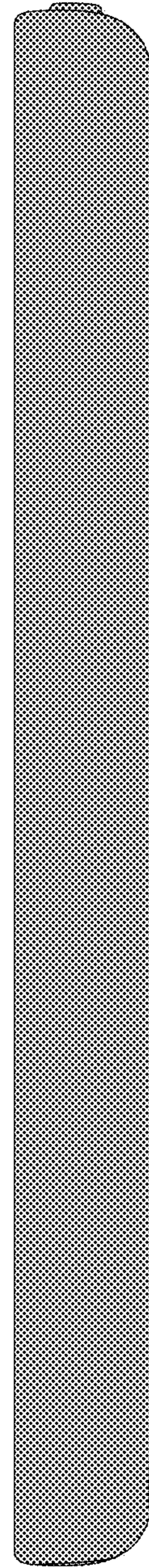


FIG. 6

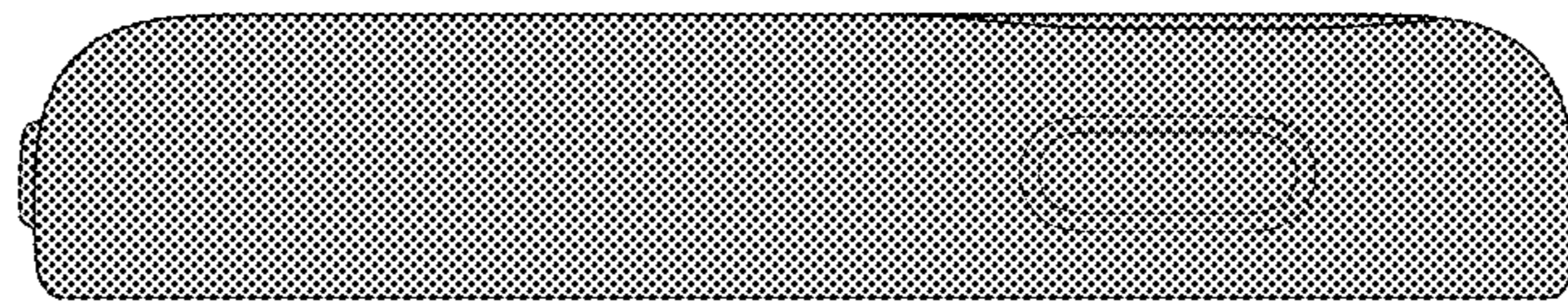


FIG. 7

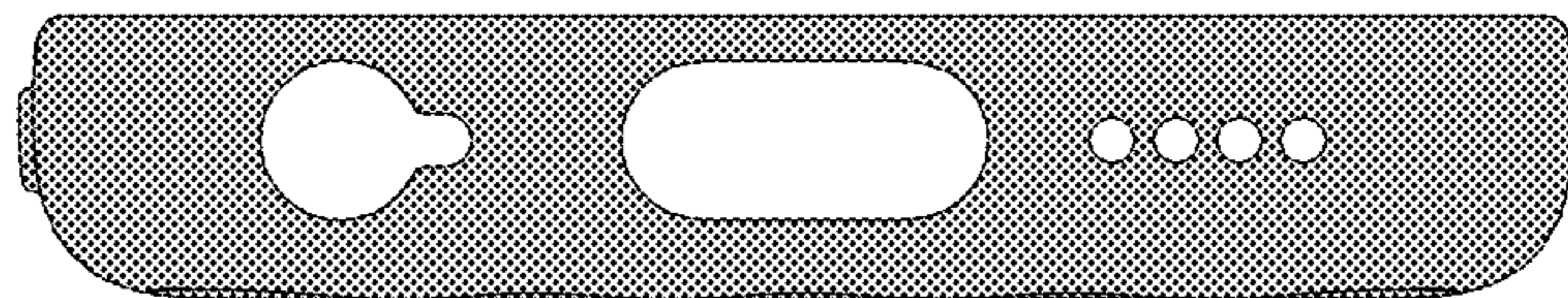


FIG. 8