

US00D756984S

(12) **United States Design Patent**
Akana et al.

(10) **Patent No.:** **US D756,984 S**

(45) **Date of Patent:** **** May 24, 2016**

(54) **CASE FOR ELECTRONIC DEVICE**

(71) Applicant: **Apple Inc.**, Cupertino, CA (US)

(72) Inventors: **Jody Akana**, San Francisco, CA (US); **Bartley K. Andre**, Palo Alto, CA (US); **Shota Aoyagi**, San Francisco, CA (US); **Jeremy Bataillou**, San Francisco, CA (US); **Daniel J. Coster**, San Francisco, CA (US); **Daniele De Iuliis**, San Francisco, CA (US); **M. Evans Hankey**, San Francisco, CA (US); **Julian Hoenig**, San Francisco, CA (US); **Richard P. Howarth**, San Francisco, CA (US); **Jonathan P. Ive**, San Francisco, CA (US); **Duncan Robert Kerr**, San Francisco, CA (US); **Matthew Dean Rohrbach**, San Francisco, CA (US); **Peter Russell-Clarke**, San Francisco, CA (US); **Mikael Silvano**, San Francisco, CA (US); **Christopher J. Stringer**, Woodside, CA (US); **Eugene Antony Whang**, San Francisco, CA (US); **Rico Zörkendörfer**, San Francisco, CA (US)

(73) Assignee: **Apple Inc.**, Cupertino, CA (US)

(**) Term: **15 Years**

(21) Appl. No.: **29/528,107**

(22) Filed: **May 26, 2015**

Related U.S. Application Data

(63) Continuation of application No. 29/469,647, filed on Oct. 11, 2013, now Pat. No. Des. 731,473, which is a continuation-in-part of application No. 29/466,599, filed on Sep. 10, 2013, now Pat. No. Des. 730,340.

(51) **LOC (10) Cl.** **14-03**

(52) **U.S. Cl.**
USPC **D14/250**

(58) **Field of Classification Search**

USPC D14/250–253, 440, 203.3–203.7, 217, D14/496, 248, 238.1, 240, 447, 230, 247, D14/341, 345, 346, 439; D3/201, 218, 269, D3/301, 273, 303; D13/103, 107–108; 220/4.02; 248/309.1; 361/679.56; 379/426, 433.11, 455; 455/575.1, 455/575.8; 190/100; 206/305, 320

CPC A45C 2011/002; A45C 11/00; A45C 13/002; A45C 2011/003; H04M 1/0283; H04M 1/0202; H04M 1/185; H04B 1/3888
See application file for complete search history.

(56) **References Cited**

U.S. PATENT DOCUMENTS

D114,891 S 5/1939 Fogel

(Continued)

FOREIGN PATENT DOCUMENTS

EM 000581210-0001 9/2006

EM 002085373-0001 8/2012

(Continued)

OTHER PUBLICATIONS

U.S. Appl. No. 29/452,631, filed Apr. 18, 2013.

Primary Examiner — Sandra Snapp

Assistant Examiner — Holly E Thurman

(74) *Attorney, Agent, or Firm* — Sterne, Kessler, Goldstein & Fox P.L.L.C.

(57) **CLAIM**

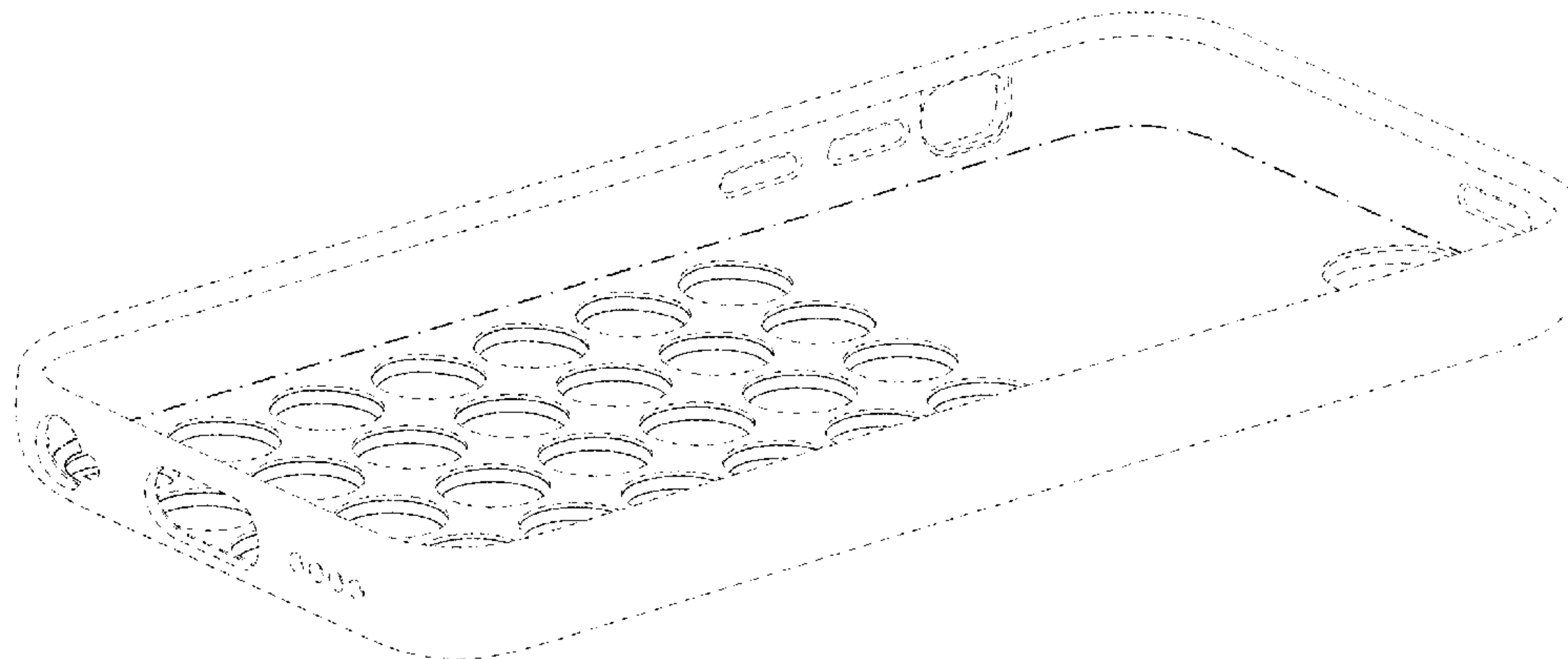
The ornamental design for a case for electronic device, as shown and described.

DESCRIPTION

FIG. 1 is a bottom front perspective view of a case for electronic device showing our new design; FIG. 2 is a top rear perspective view thereof; FIG. 3 is a front view thereof; FIG. 4 is a rear view thereof; FIG. 5 is a left side view thereof; FIG. 6 is a right side view thereof; FIG. 7 is a top view thereof; and, FIG. 8 is a bottom view thereof.

The dash-dash broken lines in the figures show portions of the case for electronic device that form no part of the claimed design. The dot-dash broken lines in the figures represent boundaries of the claimed design and form no part of the claimed design. The area within the dot-dash boundary lines forms part of the claimed design.

1 Claim, 6 Drawing Sheets



(56)

References Cited

U.S. PATENT DOCUMENTS

D191,070 S 8/1961 McCreery
 D332,664 S 1/1993 Sincock
 D411,448 S 6/1999 Baker
 D556,681 S 12/2007 Kim
 D574,819 S 8/2008 Andre et al.
 D575,056 S 8/2008 Tan
 7,697,281 B2 4/2010 Dabov et al.
 D619,361 S 7/2010 Andre et al.
 D622,716 S 8/2010 Andre et al.
 D623,180 S 9/2010 Diebel
 D624,403 S 9/2010 Hansen et al.
 7,796,381 B2 9/2010 Zuo et al.
 D624,815 S 10/2010 Hansen et al.
 D625,524 S 10/2010 Schwartz et al.
 D641,347 S 7/2011 Fathollahi
 D644,218 S 8/2011 Akana et al.
 D647,519 S 10/2011 Rothbaum et al.
 D648,718 S 11/2011 Andre et al.
 8,106,836 B2 1/2012 Hill et al.
 8,116,073 B2 2/2012 Hung et al.
 D659,132 S 5/2012 Wen
 D662,503 S 6/2012 Akana et al.
 D662,922 S 7/2012 Akana et al.
 8,250,724 B2 8/2012 Dabov et al.
 D668,246 S 10/2012 Fathollahi
 D669,458 S 10/2012 Wilson et al.
 D671,109 S 11/2012 Rothbaum et al.
 D671,930 S 12/2012 Akana et al.
 D675,604 S 2/2013 Limber et al.
 D677,664 S 3/2013 Akana et al.
 D681,032 S 4/2013 Akana et al.
 D682,817 S 5/2013 Murchison et al.
 8,443,971 B1 5/2013 Green et al.

D690,708 S * 10/2013 Smith D14/447
 D692,878 S 11/2013 Akana et al.
 D694,226 S 11/2013 Thompson et al.
 D697,068 S 1/2014 Andre et al.
 D697,503 S * 1/2014 Melanson D14/250
 D697,511 S 1/2014 Andre et al.
 D699,717 S 2/2014 Akana et al.
 8,655,422 B2 2/2014 Stiehl et al.
 D717,775 S 11/2014 Hemesath et al.
 D719,559 S 12/2014 Dukerschein et al.
 D719,945 S * 12/2014 Chiang D14/250
 D720,735 S * 1/2015 Turocy D14/250
 D722,309 S 2/2015 Green et al.
 D723,567 S 3/2015 Akana et al.
 D725,379 S * 3/2015 Dixon D3/218
 D726,703 S * 4/2015 Akana D14/250
 D730,340 S * 5/2015 Akana D14/250
 D731,473 S * 6/2015 Akana D14/250
 D733,696 S * 7/2015 Burgett D14/250
 D740,267 S * 10/2015 Diebel D14/250
 D742,869 S * 11/2015 Odhwani D14/250
 D744,994 S * 12/2015 Akana D14/250
 2007/0259247 A1 11/2007 Kibune et al.
 2008/0182633 A1 7/2008 Imaizumi et al.
 2010/0146766 A1 6/2010 Dabov et al.
 2012/0274195 A1 11/2012 Thompson et al.
 2014/0378193 A1 * 12/2014 Biancamano H04B 1/3888
 455/575.8

FOREIGN PATENT DOCUMENTS

KR 300408147 3/2006
 TW D125373 10/2008
 TW D145513 2/2012

* cited by examiner

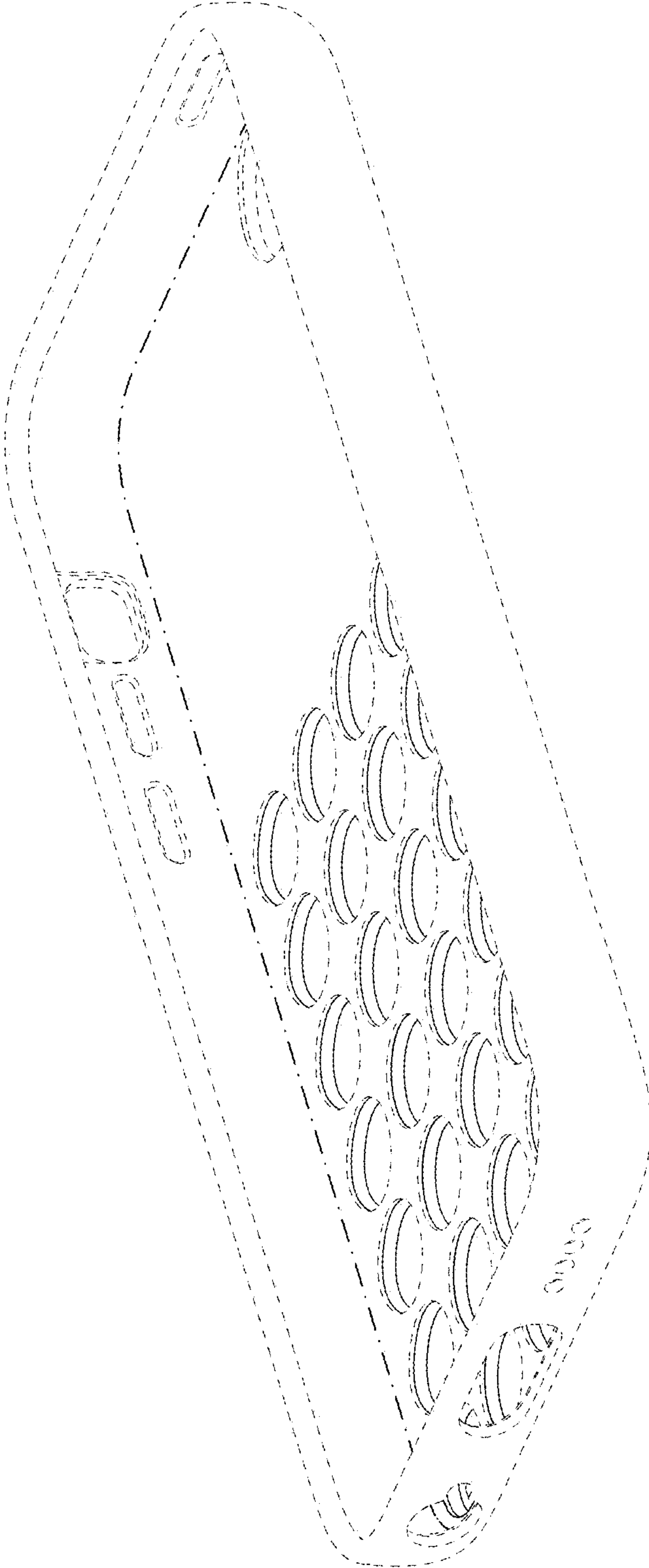


FIG. 1

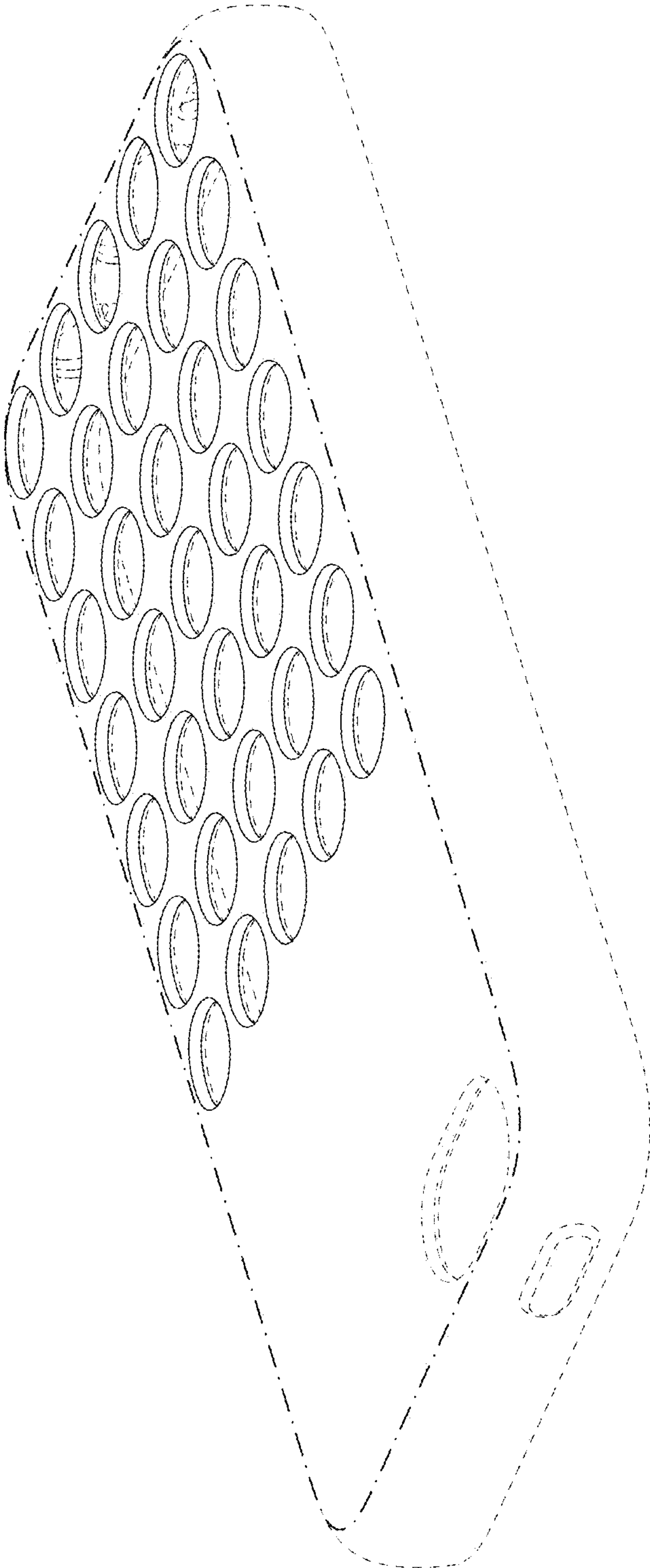


FIG. 2

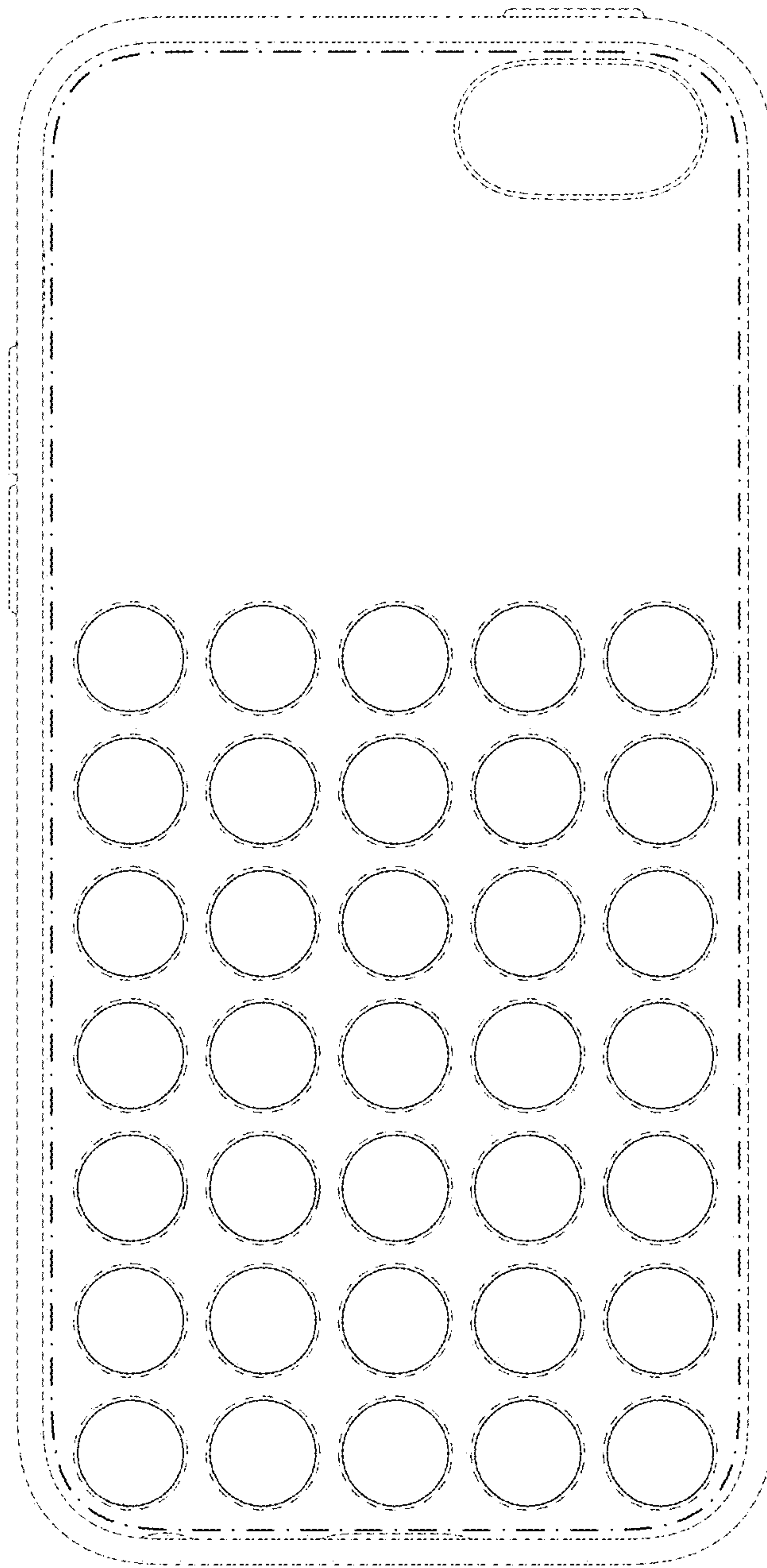


FIG. 3

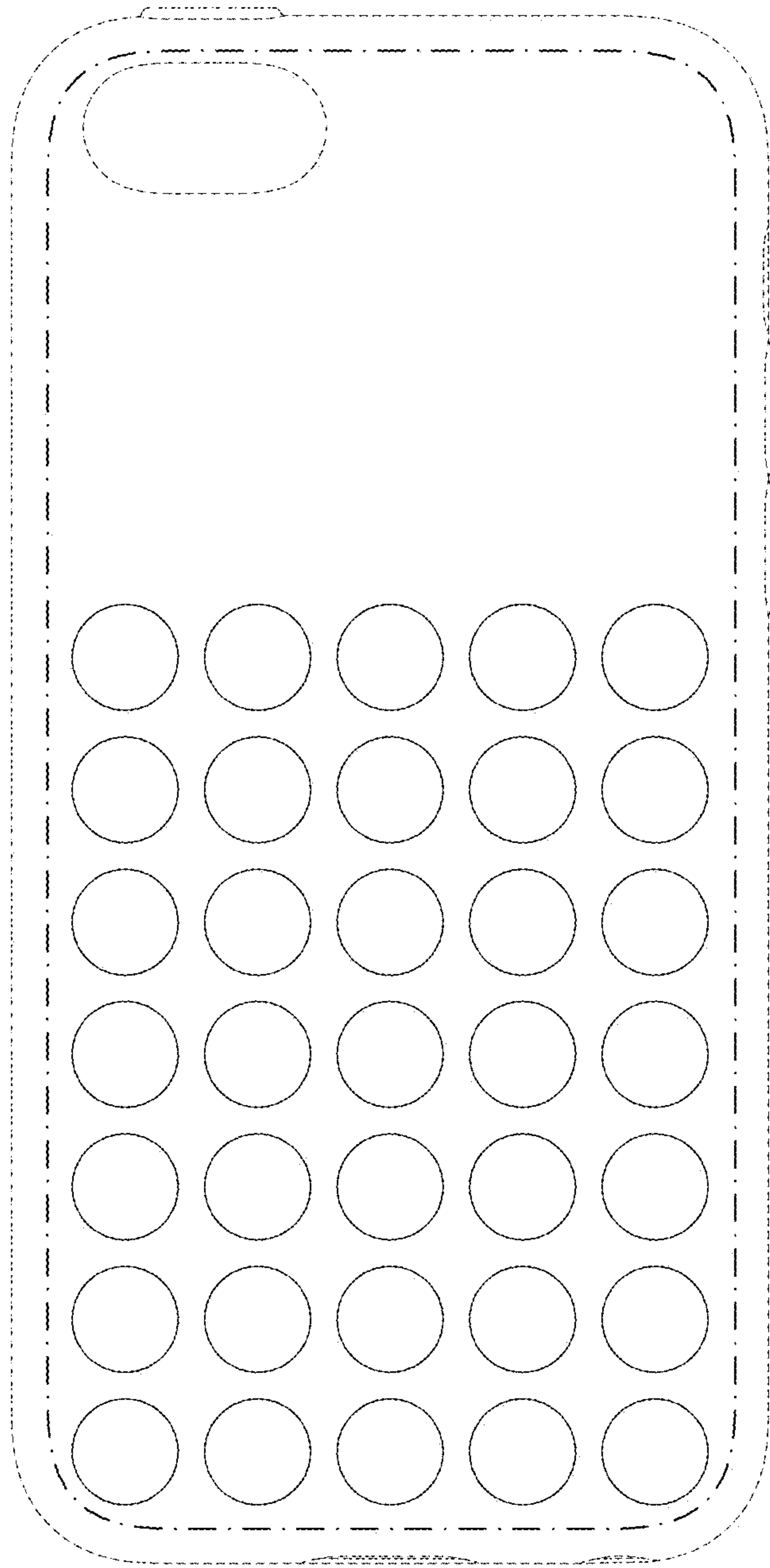


FIG. 4

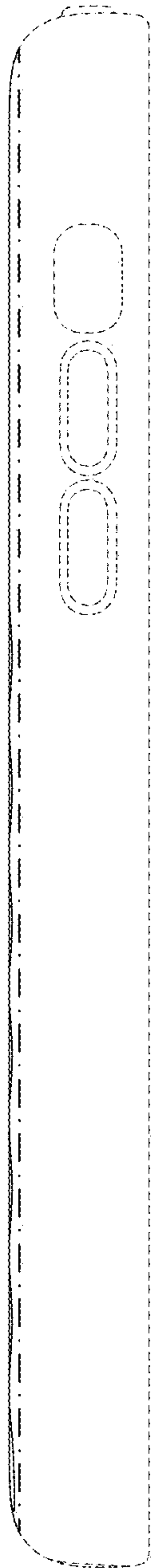


FIG. 5



FIG. 6

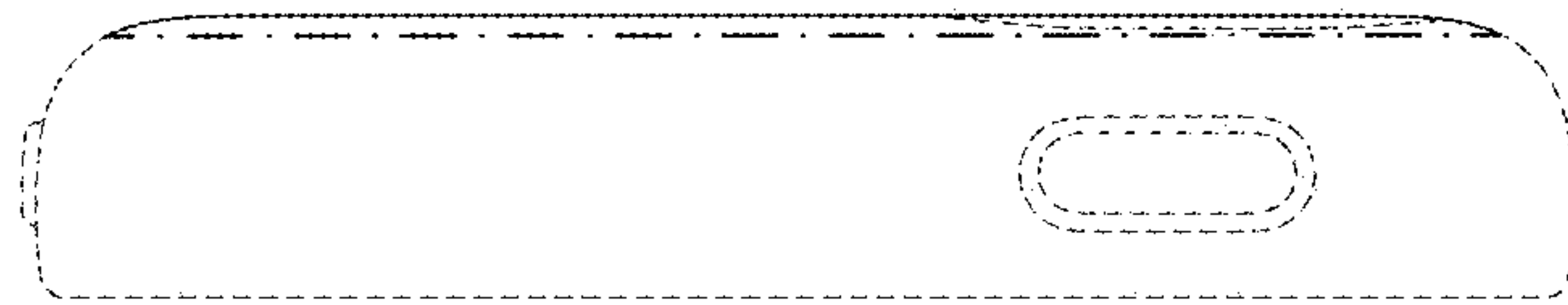


FIG. 7

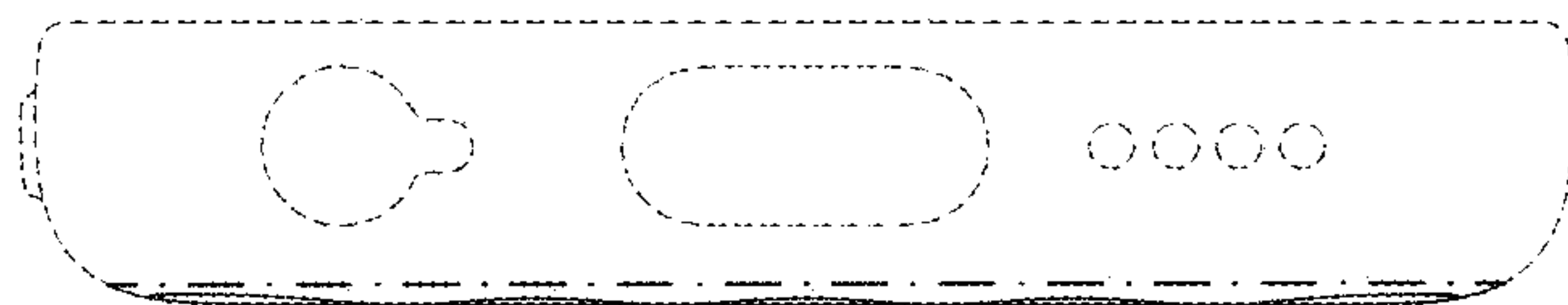


FIG. 8