



US00D756980S

(12) **United States Design Patent**  
**Beeman**

(10) **Patent No.:** **US D756,980 S**

(45) **Date of Patent:** **\*\* May 24, 2016**

(54) **SMARTPHONE CASE WITH INTEGRATED DIGITAL TELEVISION (DTV) ANTENNA/DISPLAY STAND**

(71) Applicant: **WEARABLE TV LABS, INC.**, Renton, WA (US)

(72) Inventor: **Bonnie Lee Beeman**, Renton, WA (US)

(73) Assignee: **AIRWAVZ INC.**, Renton, WA (US)

(\*\*) Term: **14 Years**

(21) Appl. No.: **29/481,430**

(22) Filed: **Feb. 5, 2014**

(51) **LOC (10) Cl.** ..... **14-03**

(52) **U.S. Cl.**  
USPC ..... **D14/250**

(58) **Field of Classification Search**  
USPC ..... D14/250–253, 440, 203.3–203.7, 217, D14/496, 248, 238.1, 240, 447, 230; D3/201, 218, 269, 301, 273, 303; D13/103, 107–108; 220/4.02; 248/309.1; 361/679.56; 379/426, 379/433.11, 455; 455/575.1, 575.8; 190/100; 206/305, 320  
CPC ..... A45C 2011/002; A45C 11/00; A45C 13/002; A45C 2011/003; H04M 1/0283; H04M 1/0202

See application file for complete search history.

(56) **References Cited**

**U.S. PATENT DOCUMENTS**

2,636,702 A \* 4/1953 Brody ..... A47G 1/143 248/465  
D255,745 S \* 7/1980 Pedersen ..... 40/746

(Continued)

*Primary Examiner* — Sandra Snapp  
*Assistant Examiner* — Holly E Thurman

(74) *Attorney, Agent, or Firm* — AEON Law; Adam L. K. Philipp

(57) **CLAIM**

An ornamental design for a smartphone case with integrated digital television (DTV) antenna/display stand, as shown and described.

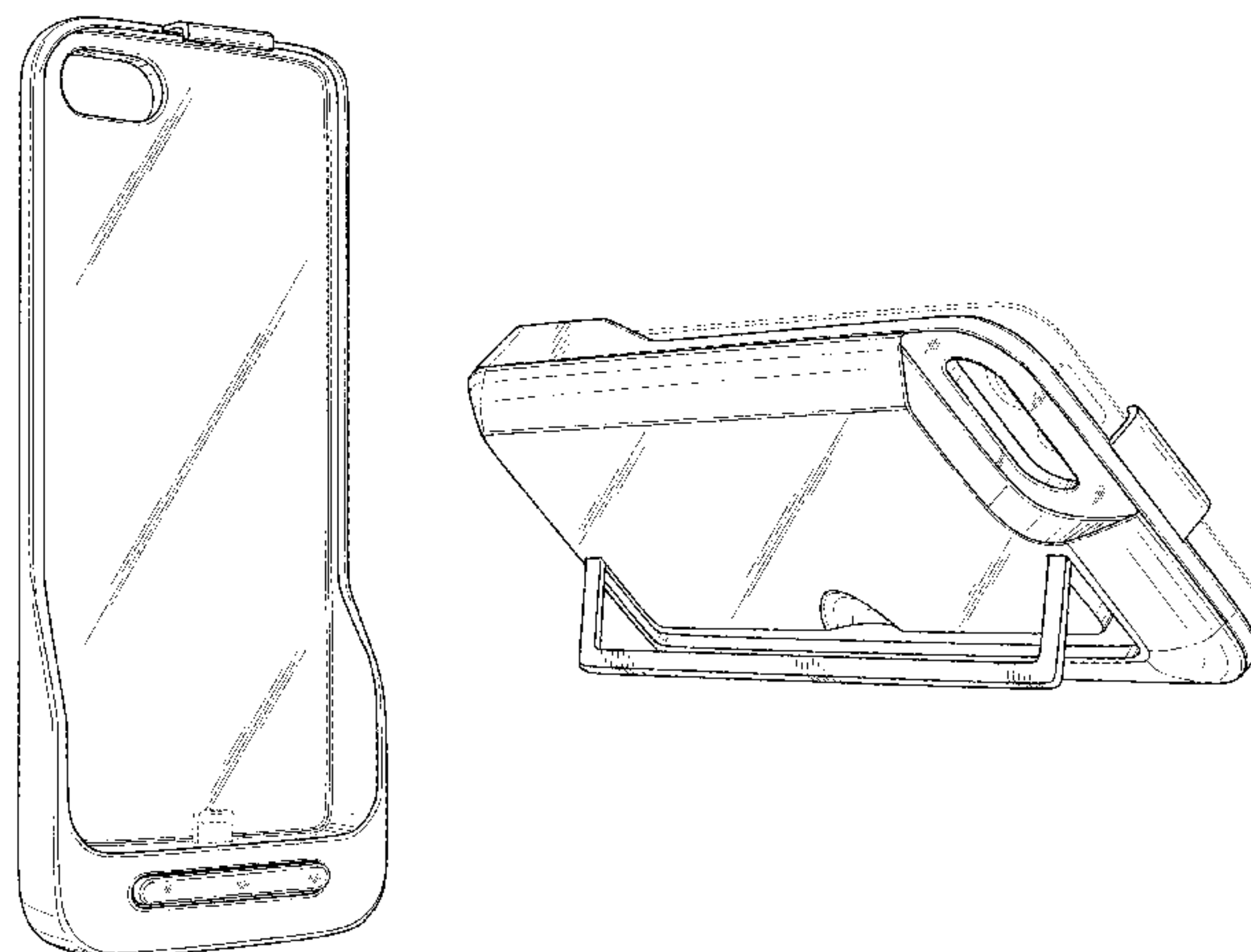
**DESCRIPTION**

FIG. 1 is a perspective view of a smartphone case showing my new design and an illustrative smartphone;  
FIG. 2 is a front perspective view of a smartphone case showing my new design and an illustrative smartphone connector;  
FIG. 3 is a rear perspective view of the smartphone case with the integrated DTV antenna and display stand in a closed position;  
FIG. 4 is a rear perspective view of the smartphone case with the integrated DTV antenna and display stand in an open position;  
FIG. 5 is a rear perspective view of the smartphone case with the integrated DTV antenna and display stand in an open position supporting the case on the right edge and an illustrative smartphone;  
FIG. 6 is a rear perspective view of the smartphone case with the integrated DTV antenna and display stand in an open position supporting the case on the left edge and an illustrative smartphone;  
FIG. 7 is a front plan view;  
FIG. 8 is a side plan view taken from the left side of FIG. 7;  
FIG. 9 is a side plan view taken from the right side of FIG. 7;  
FIG. 10 is a top plan view taken from the uppermost side of FIG. 7;  
FIG. 11 is a back plan view of the smartphone case with the integrated DTV antenna and display stand in a closed position; and,  
FIG. 12 is a bottom plan view taken from the lowermost side of FIG. 7.

The smartphone and connectors shown in broken line in FIGS. 1, 2, 5-7, and 12 are for illustrative purposes only and form no part of the claimed design.

A smartphone case with an integrated digital television (DTV) antenna/display stand intended to couple with a smartphone to enable reception of DTV signals by the smartphone and to facilitate display of DTV on the smartphone.

**1 Claim, 7 Drawing Sheets**



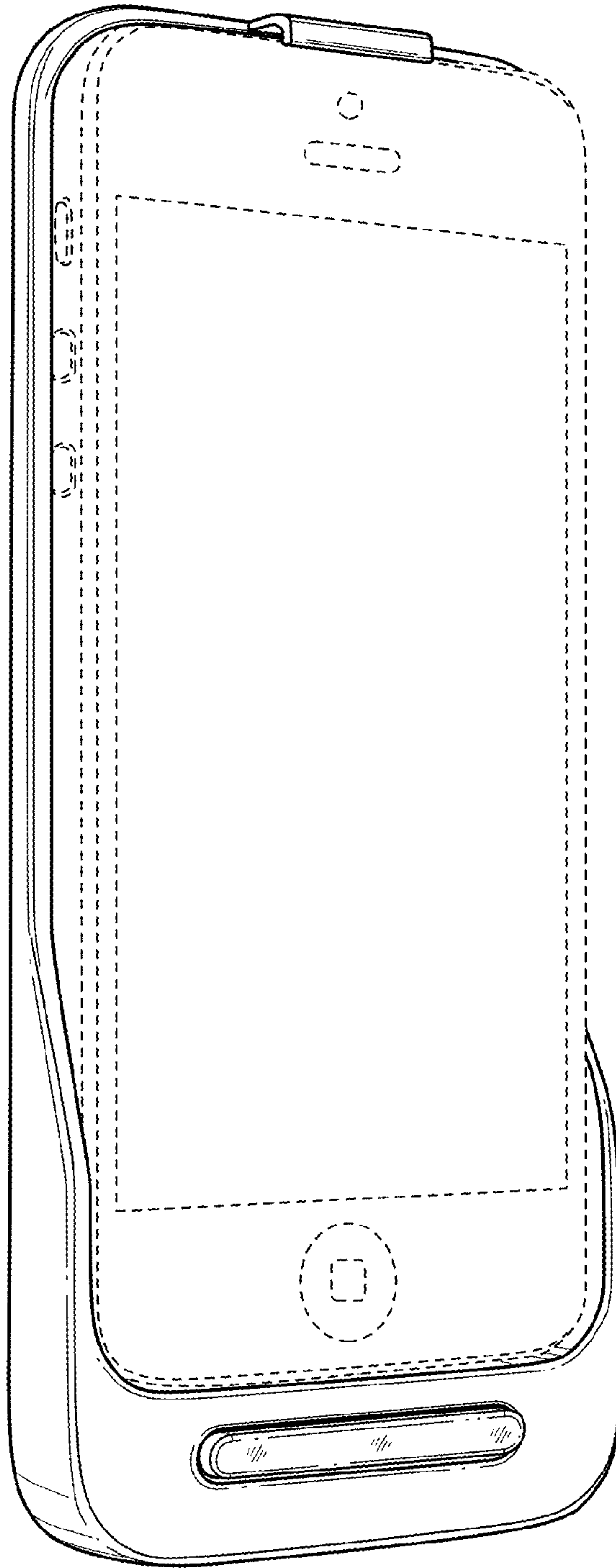
(56)

References Cited

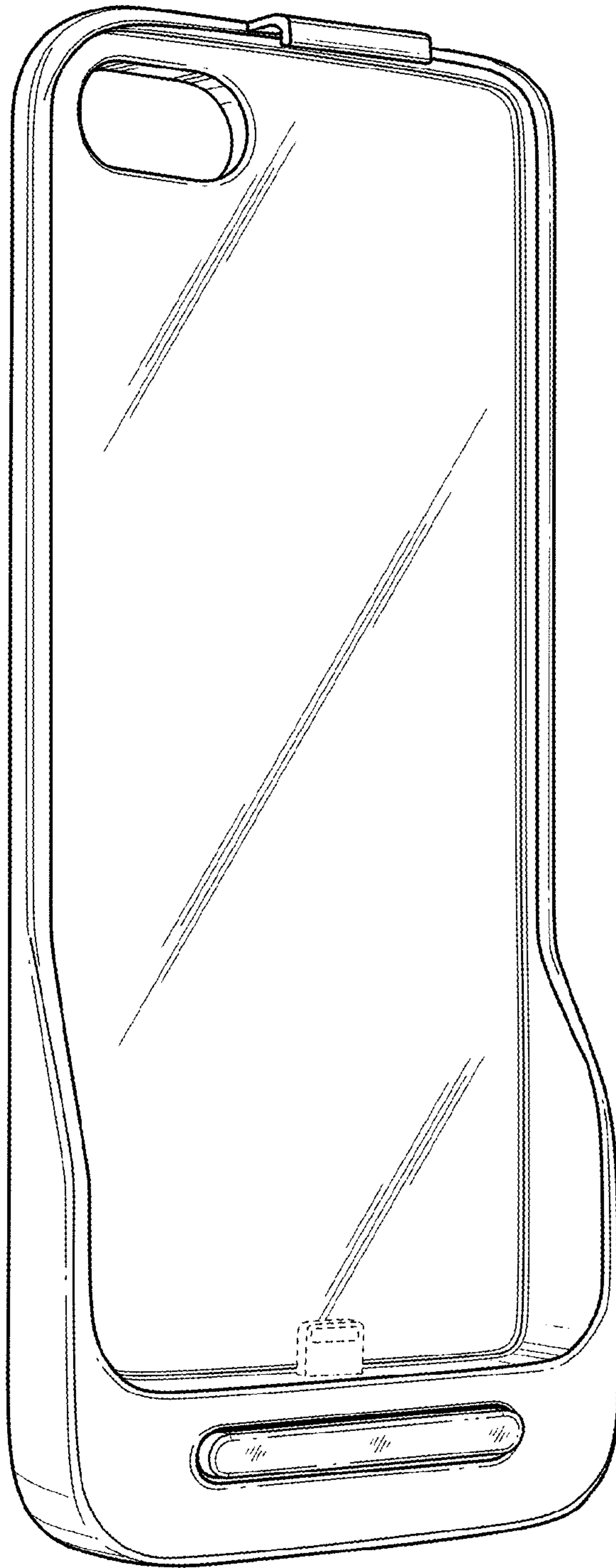
U.S. PATENT DOCUMENTS

D420,671 S *	2/2000	Jacobsen	.....	D14/240	D711,888 S *	8/2014	Huebner	.....	D14/447
D427,587 S *	7/2000	Jacobsen	.....	D14/240	8,942,773 B2 *	1/2015	Wu	.....	A45C 11/00 206/320
D481,033 S *	10/2003	Peiker	.....	D14/253	D722,043 S *	2/2015	Requa	.....	D13/108
D494,964 S *	8/2004	Lodato	.....	D14/253	9,013,865 B2 *	4/2015	Chen	.....	H05K 5/0217 361/679.21
D545,812 S *	7/2007	Grady	.....	D14/217	D728,581 S *	5/2015	Feinberg	.....	D14/447
D577,358 S *	9/2008	Kettula	.....	D14/251	D733,126 S *	6/2015	Sung	.....	D14/341
D587,695 S *	3/2009	Leng	.....	D14/240	D733,154 S *	6/2015	Armstrong	.....	D14/440
D605,645 S *	12/2009	Kettula	.....	D14/253	9,066,442 B2 *	6/2015	Huebner	.....	F16M 11/10
D667,003 S *	9/2012	Richter	.....	D14/253	2007/0221811 A1 *	9/2007	Hauser	.....	A47B 23/043 248/454
D667,012 S *	9/2012	Chen	.....	D14/447	2010/0124040 A1 *	5/2010	Diebel	.....	G06F 1/1628 361/816
D673,937 S *	1/2013	Cheng	.....	D14/250	2011/0036965 A1 *	2/2011	Zhang	.....	F16M 11/10 248/688
D679,713 S *	4/2013	McParland	.....	D14/434	2012/0162102 A1 *	6/2012	Cheng	.....	F16M 11/041 345/173
D684,981 S *	6/2013	Chang	.....	D14/451	2013/0299663 A1 *	11/2013	Pan	.....	F16M 11/10 248/371
8,490,789 B2 *	7/2013	Lach	.....	A45C 11/00 206/320					
D691,144 S *	10/2013	Peters	.....	D14/440					
D697,477 S *	1/2014	Jonas, III	.....	D13/108					
8,711,551 B2 *	4/2014	Wang	.....	F16M 11/10 361/679.01					

\* cited by examiner

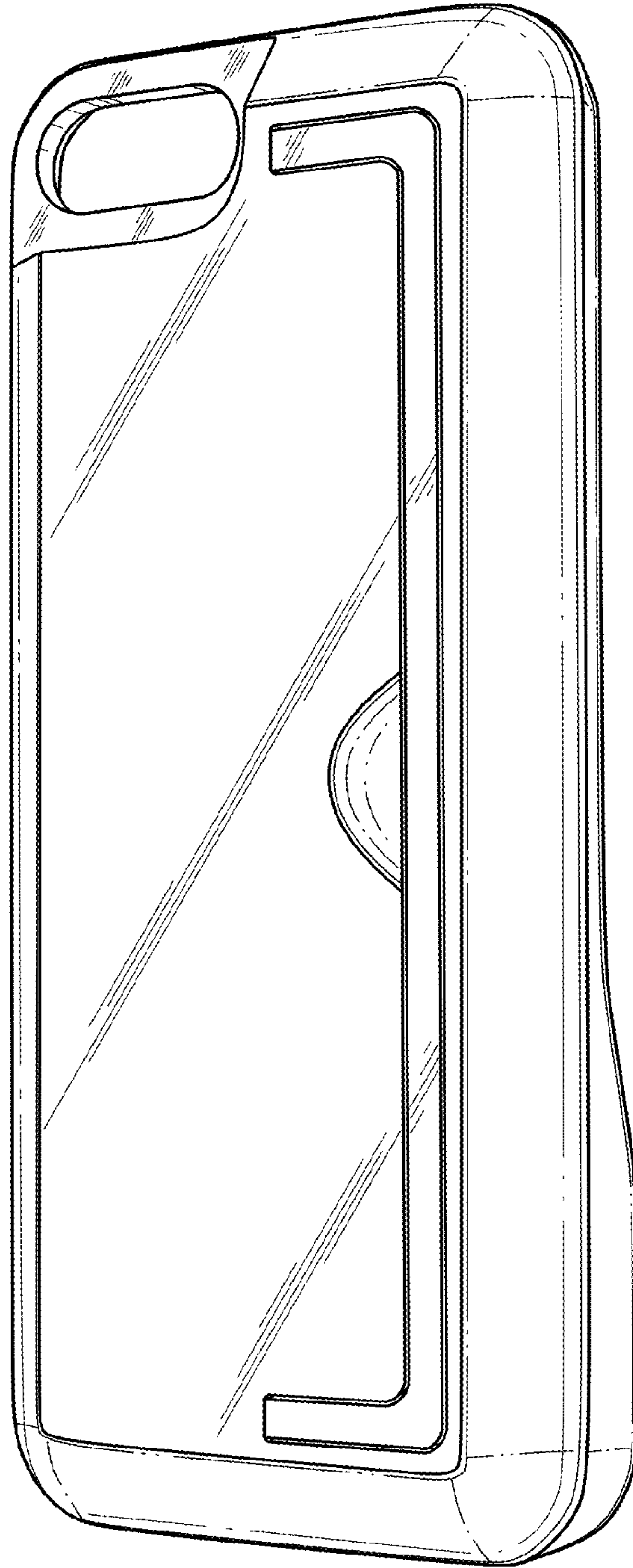


**FIG. 1**

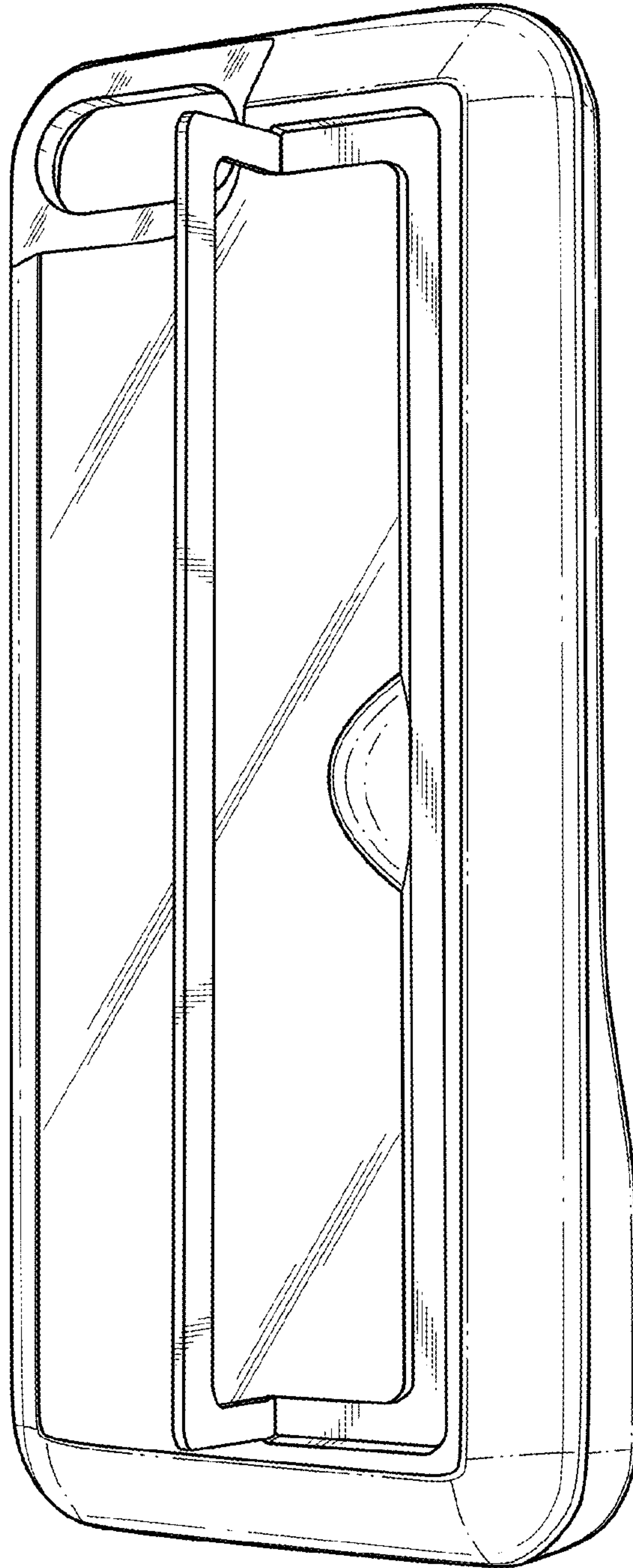


**FIG. 2**

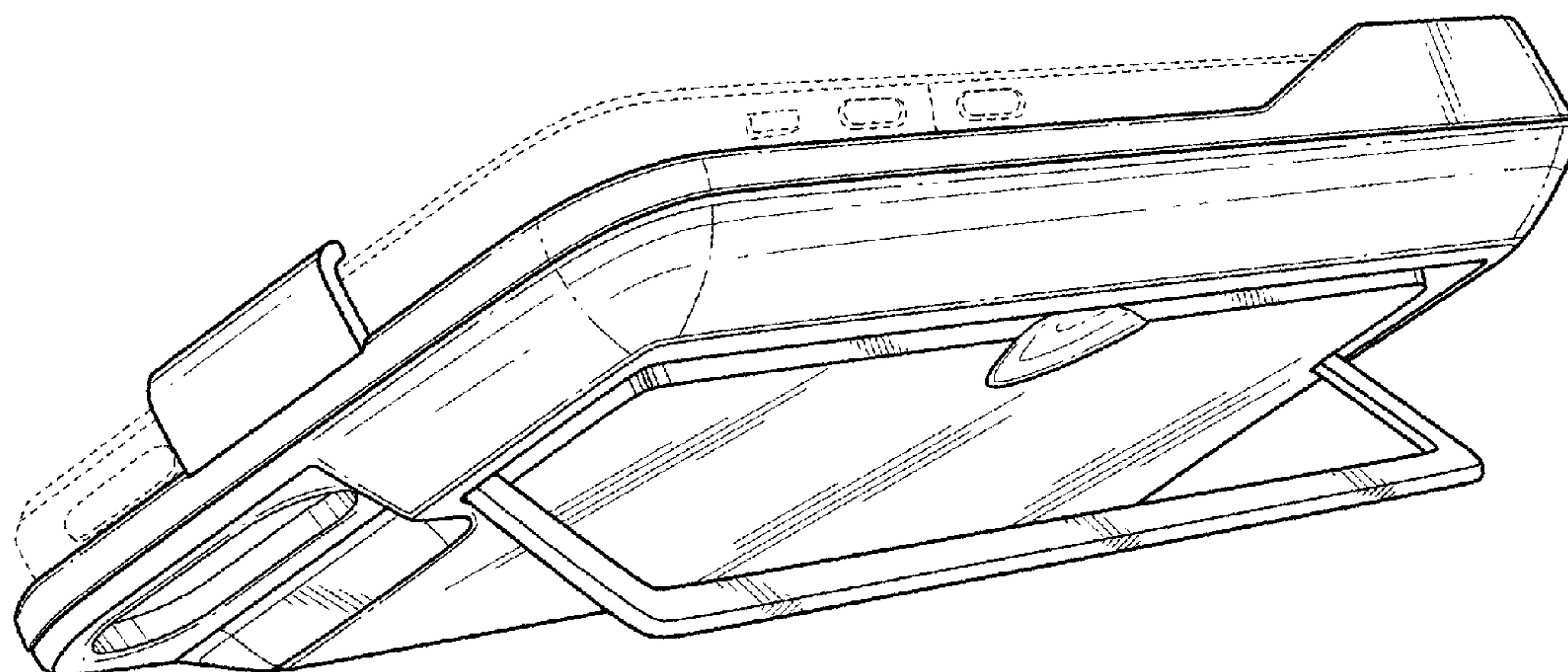




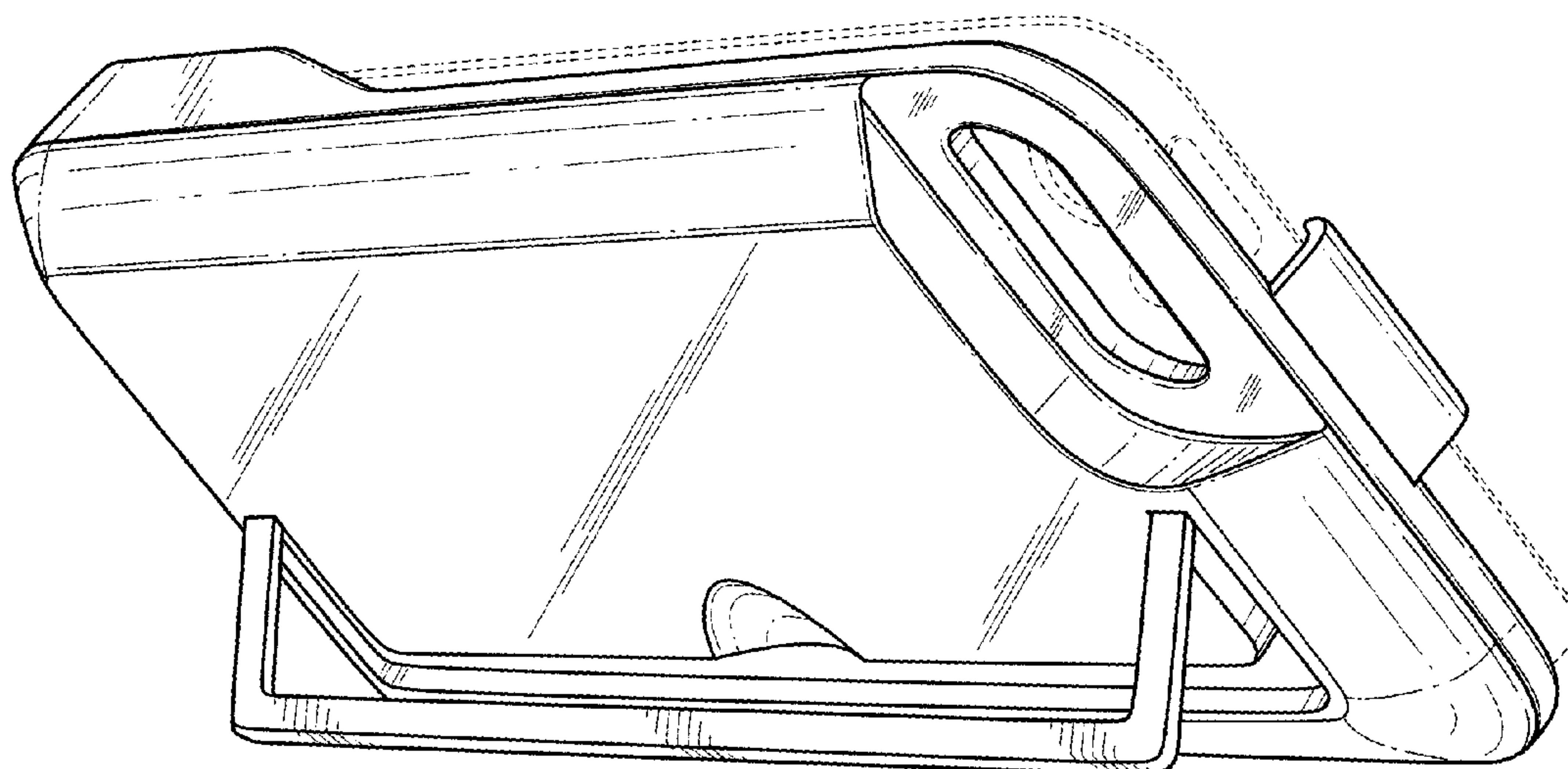
**FIG. 3**



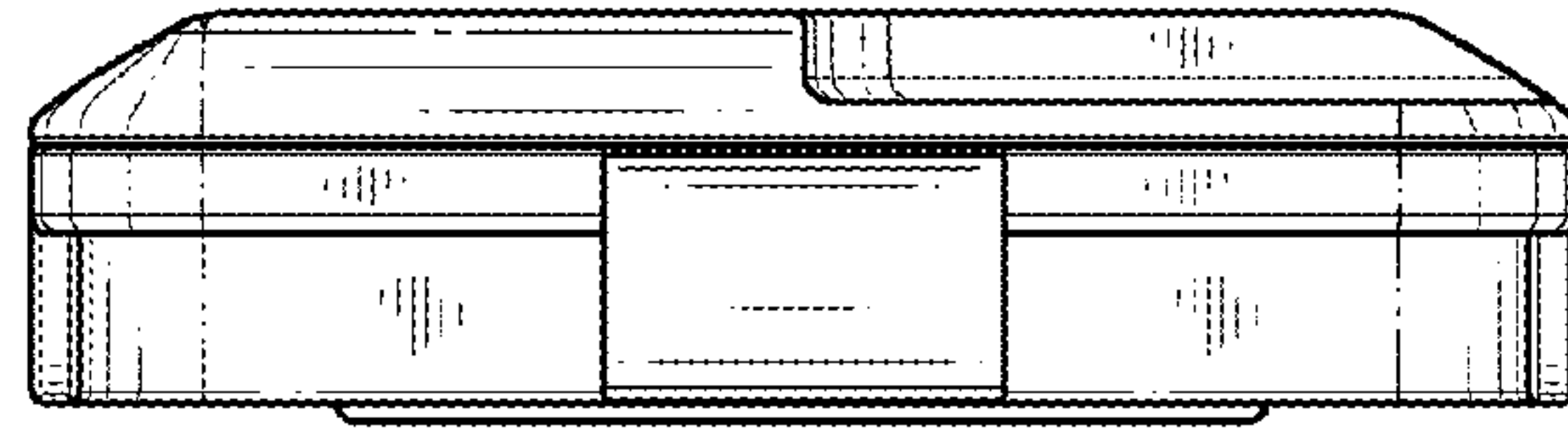
**FIG. 4**



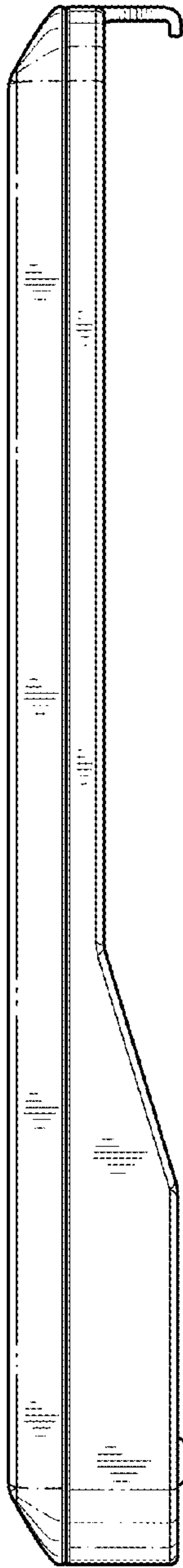
**FIG. 5**



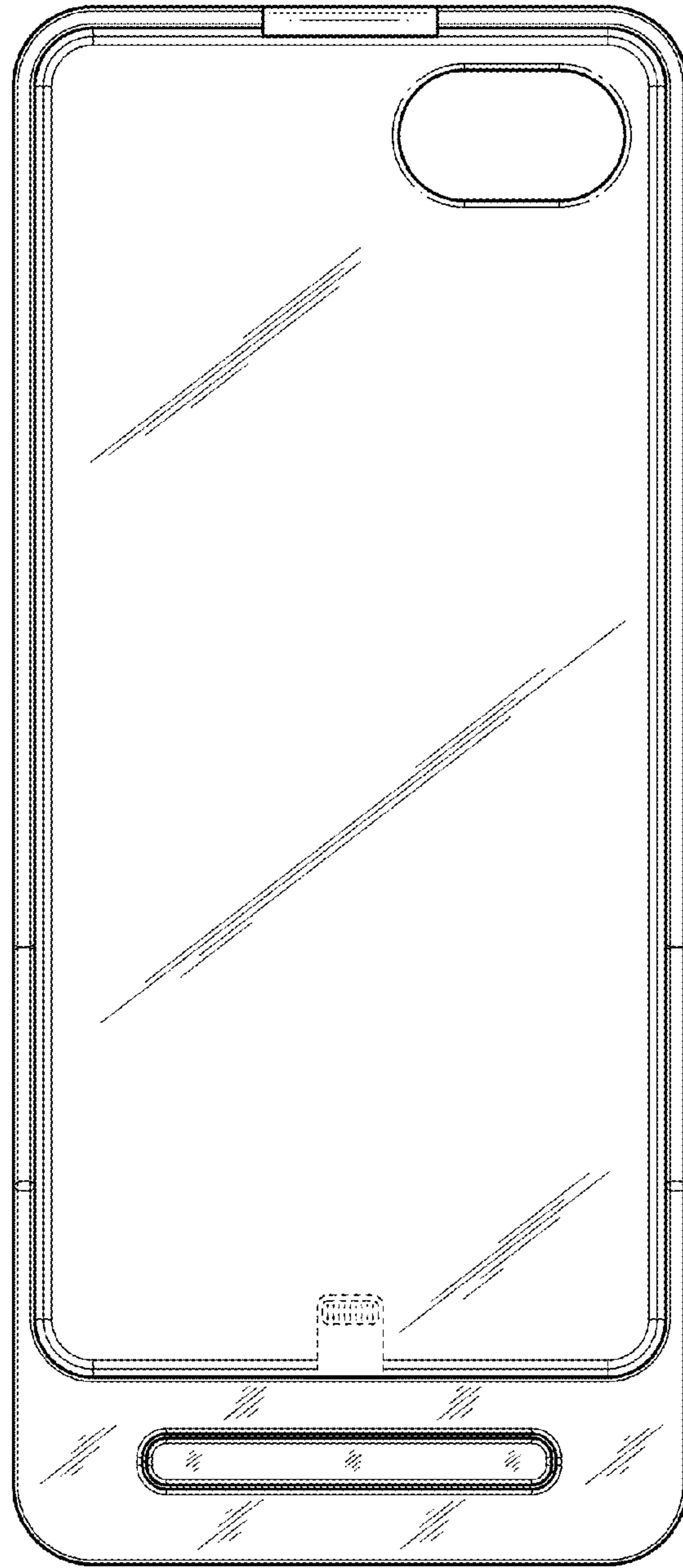
**FIG. 6**



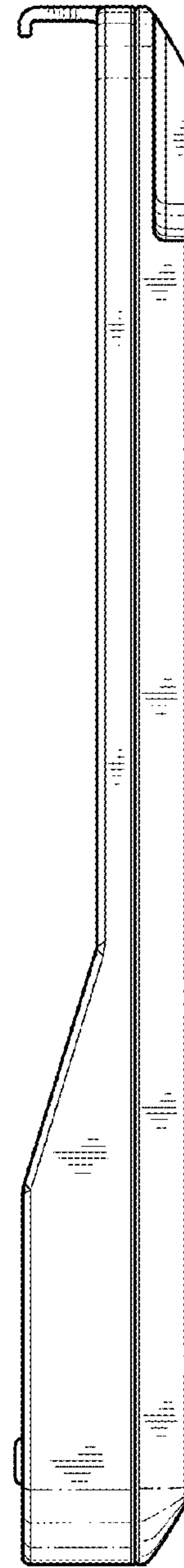
**FIG. 10**



**FIG. 8**

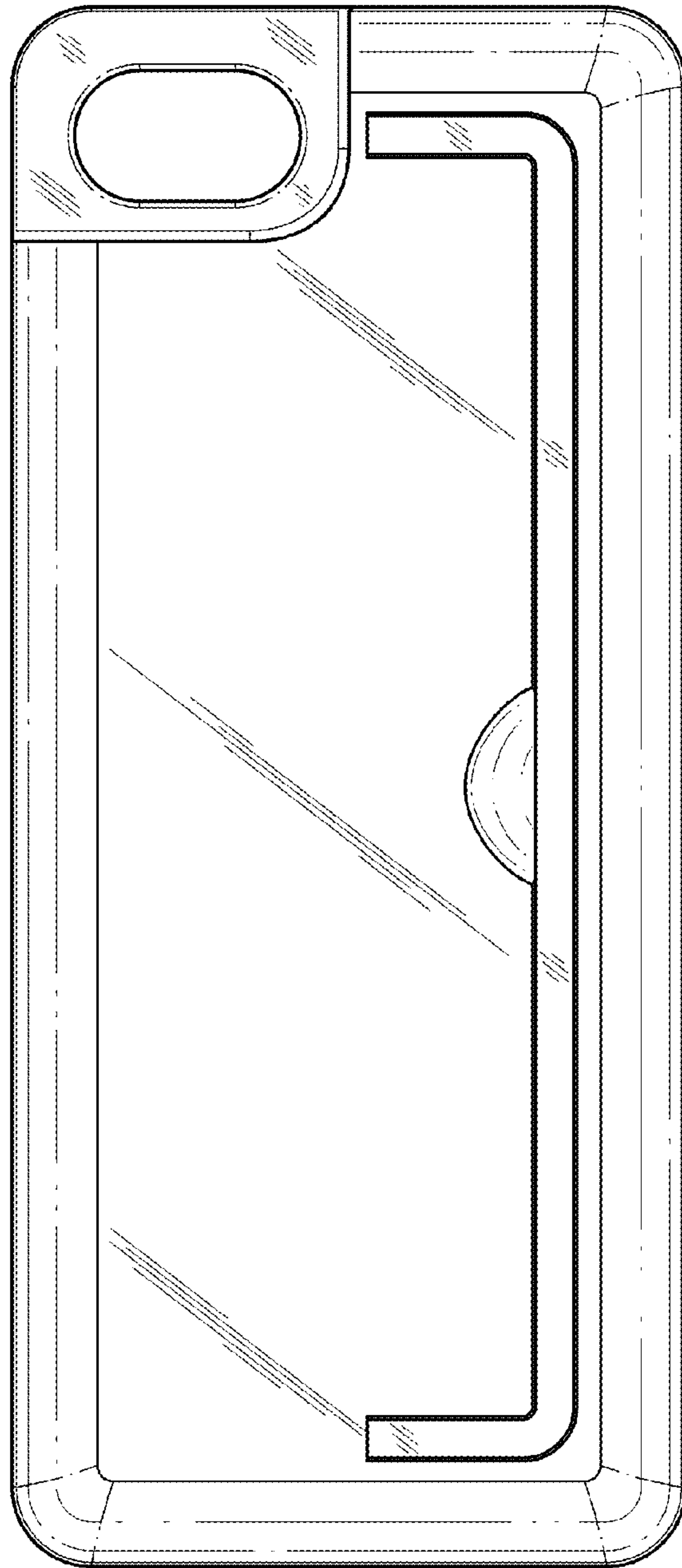


**FIG. 7**

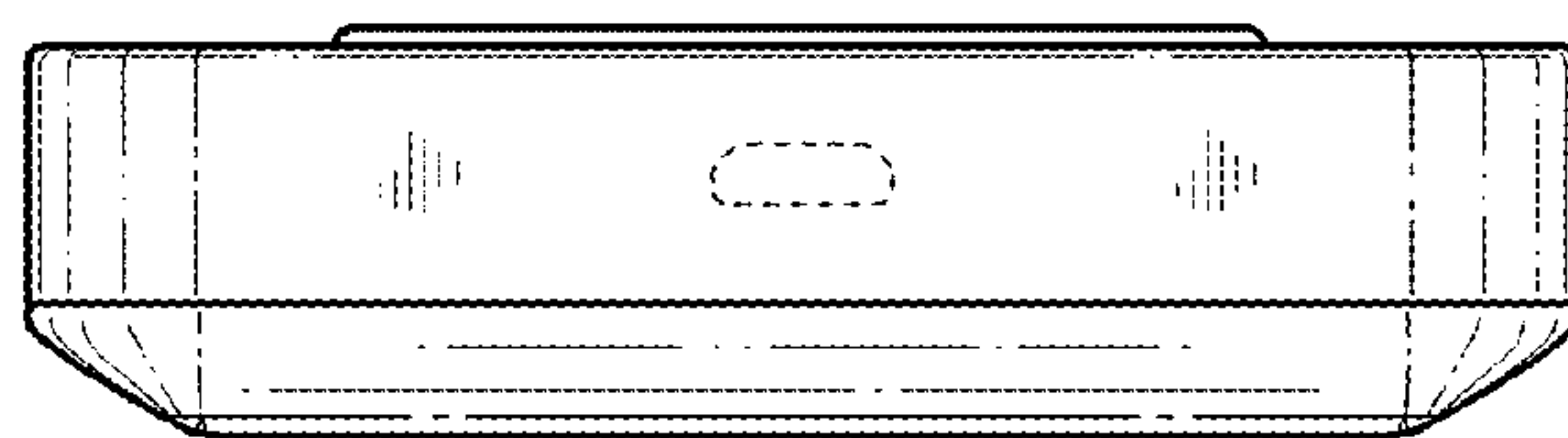


**FIG. 9**





**FIG. 11**



**FIG. 12**