



US00D756972S

(12) **United States Design Patent**
Park et al.

(10) **Patent No.:** **US D756,972 S**
(45) **Date of Patent:** **** May 24, 2016**

- (54) **WIRELESS HEADSET**
- (71) Applicant: **LG ELECTRONICS INC.**, Seoul (KR)
- (72) Inventors: **Seala Park**, Seoul (KR); **Doongsoon Kim**, Seoul (KR); **Seungyup Lee**, Seoul (KR)
- (73) Assignee: **LG Electronics Inc.**, Seoul (KR)
- (**) Term: **14 Years**
- (21) Appl. No.: **29/524,412**
- (22) Filed: **Apr. 20, 2015**
- (30) **Foreign Application Priority Data**
Oct. 21, 2014 (KR) 30-2014-0050500
- (51) **LOC (10) Cl.** **14-01**
- (52) **U.S. Cl.**
USPC **D14/223**
- (58) **Field of Classification Search**
USPC D14/223, 192, 240; 181/129, 130, 135;
381/380, 381, 374, 384; 600/503, 484,
600/531; 128/920; 455/90.3, 575.1
CPC H04R 1/105; H04R 1/1016; H04R 1/02
See application file for complete search history.

- (56) **References Cited**
U.S. PATENT DOCUMENTS
D176,810 S * 1/1956 Norris D14/192
D177,346 S * 4/1956 Norris D14/192
3,869,584 A * 3/1975 Wilde H04M 1/05
379/430
3,906,478 A * 9/1975 Smey B60K 28/06
340/575
D237,090 S * 10/1975 Yanagawa 381/370
4,529,058 A * 7/1985 Emery H04R 1/105
181/129
4,881,616 A * 11/1989 Janssen H04R 25/60
181/129
D311,521 S * 10/1990 Jonsson D14/206
D321,881 S * 11/1991 Hopewell D14/192
D350,961 S * 9/1994 Nakamura D14/205

- 5,881,161 A * 3/1999 Liu H04R 1/1066
381/370
D420,010 S * 2/2000 Pitel D14/223
6,035,961 A * 3/2000 Sun H04R 1/1058
181/126
6,320,960 B1 * 11/2001 Lathrop, III H04M 1/05
379/430
D464,638 S * 10/2002 Huang D14/205
D465,209 S * 11/2002 Rath D14/206
D472,890 S * 4/2003 Suzuki D14/223
7,013,018 B2 * 3/2006 Bogeskov-Jensen ... H04M 1/05
381/370
D523,845 S * 6/2006 Smith D14/205
D524,795 S * 7/2006 Cohen D14/206
D529,901 S * 10/2006 Ohta D14/223
7,209,177 B2 * 4/2007 Lapalme B21F 1/002
348/375
D556,740 S * 12/2007 Xavier D14/223
D561,738 S * 2/2008 Ikeda D14/205
D565,024 S * 3/2008 Kim D14/205
D581,395 S * 11/2008 Sade D14/205
D593,075 S * 5/2009 Williams D14/223
D603,847 S * 11/2009 Chung D14/223

(Continued)

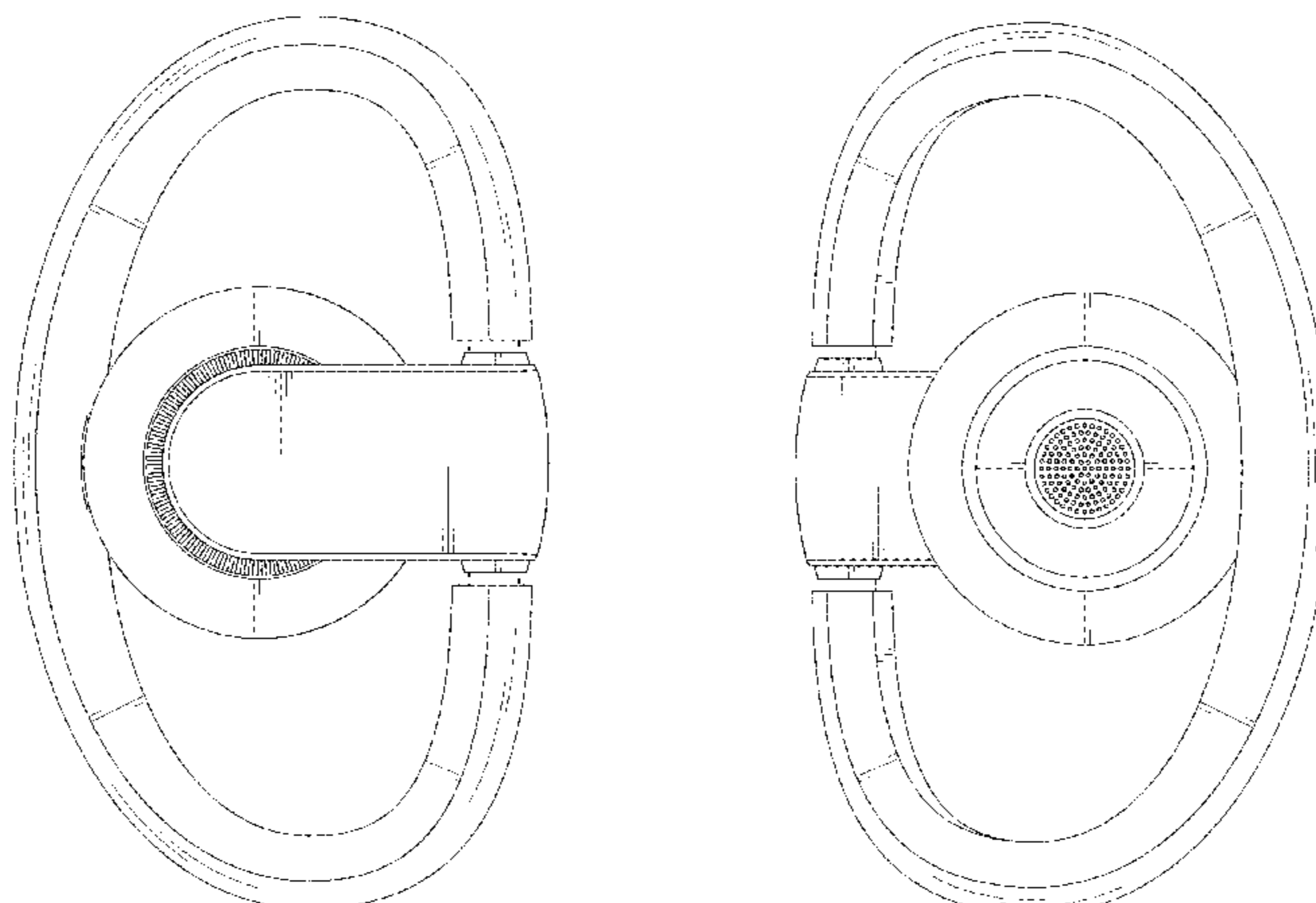
Primary Examiner — Paula Greene
(74) *Attorney, Agent, or Firm* — Birch, Stewart, Kolasch & Birch, LLP

(57) **CLAIM**
The ornamental design for wireless headset, as shown and described.

DESCRIPTION

FIG. 1 is a perspective view of a wireless headset showing our new design;
FIG. 2 is a front view thereof;
FIG. 3 is a rear view thereof;
FIG. 4 is a left side view thereof;
FIG. 5 is a right side view thereof;
FIG. 6 is a top plan view thereof where the bottom plan view is a mirror image;
FIG. 7 is a reference view thereof showing that the speaker part can be swiveled left and right; and,
FIG. 8 is a reference view thereof showing an example of the usage of the subject design.
The broken lines in FIGS. 7 and 8 show environmental structure only and form no part of the claimed design.

1 Claim, 8 Drawing Sheets



(56)

References Cited

U.S. PATENT DOCUMENTS

7,708,110 B2 * 5/2010 Leong A61F 11/08
128/867
D624,529 S * 9/2010 Huang D14/206
D686,196 S * 7/2013 Lee D14/223
8,611,969 B2 * 12/2013 Smith H04M 1/05
181/135
8,767,997 B2 * 7/2014 Fujiwara H04R 1/105
381/381

D741,299 S * 10/2015 Brunner D14/223
9,167,334 B2 * 10/2015 Triato H04R 1/1066
D743,945 S * 11/2015 Brunner D14/223
D743,946 S * 11/2015 Brunner D14/223
D745,863 S * 12/2015 Hardi D14/223
2012/0057739 A1 * 3/2012 Smith H04M 1/05
381/379
2013/0216087 A1 * 8/2013 MacDonald H04R 1/105
381/381

* cited by examiner

FIG. 1

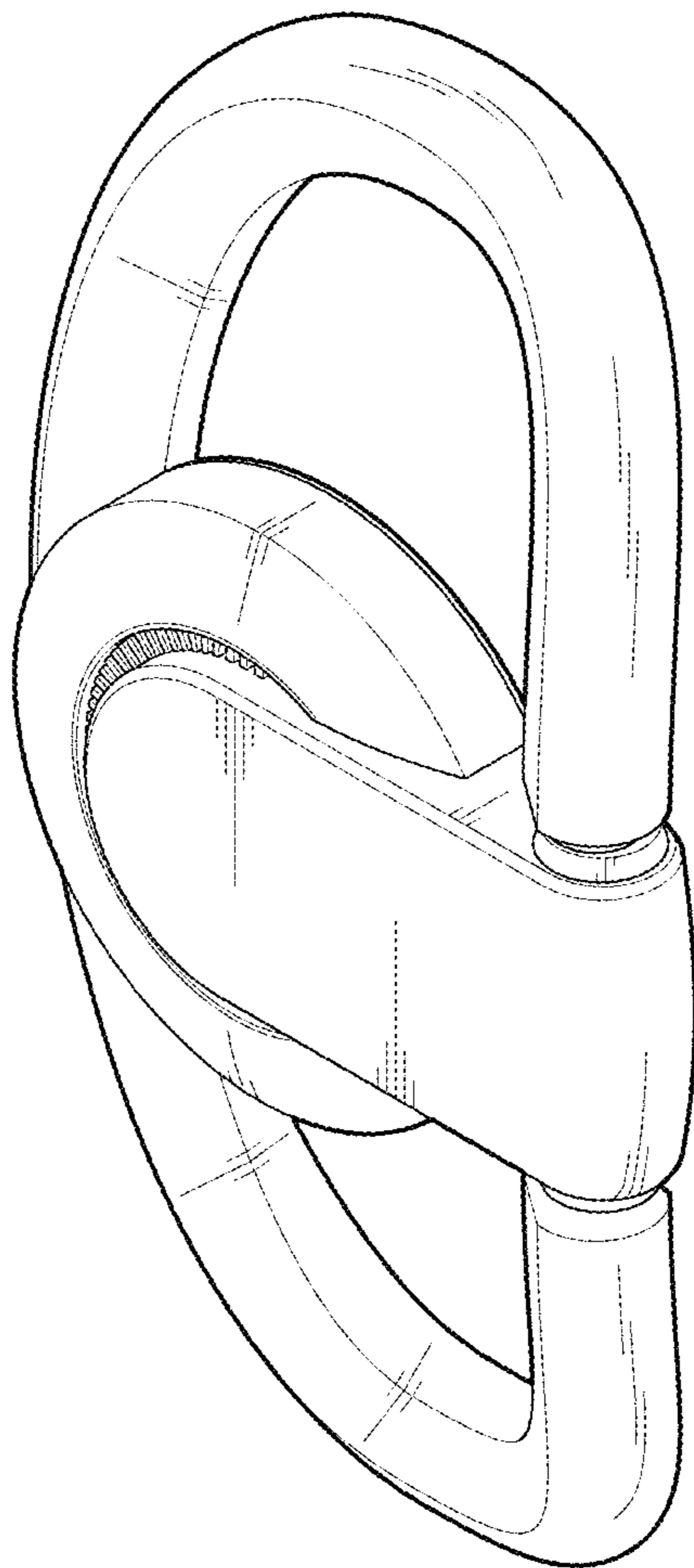


FIG. 2

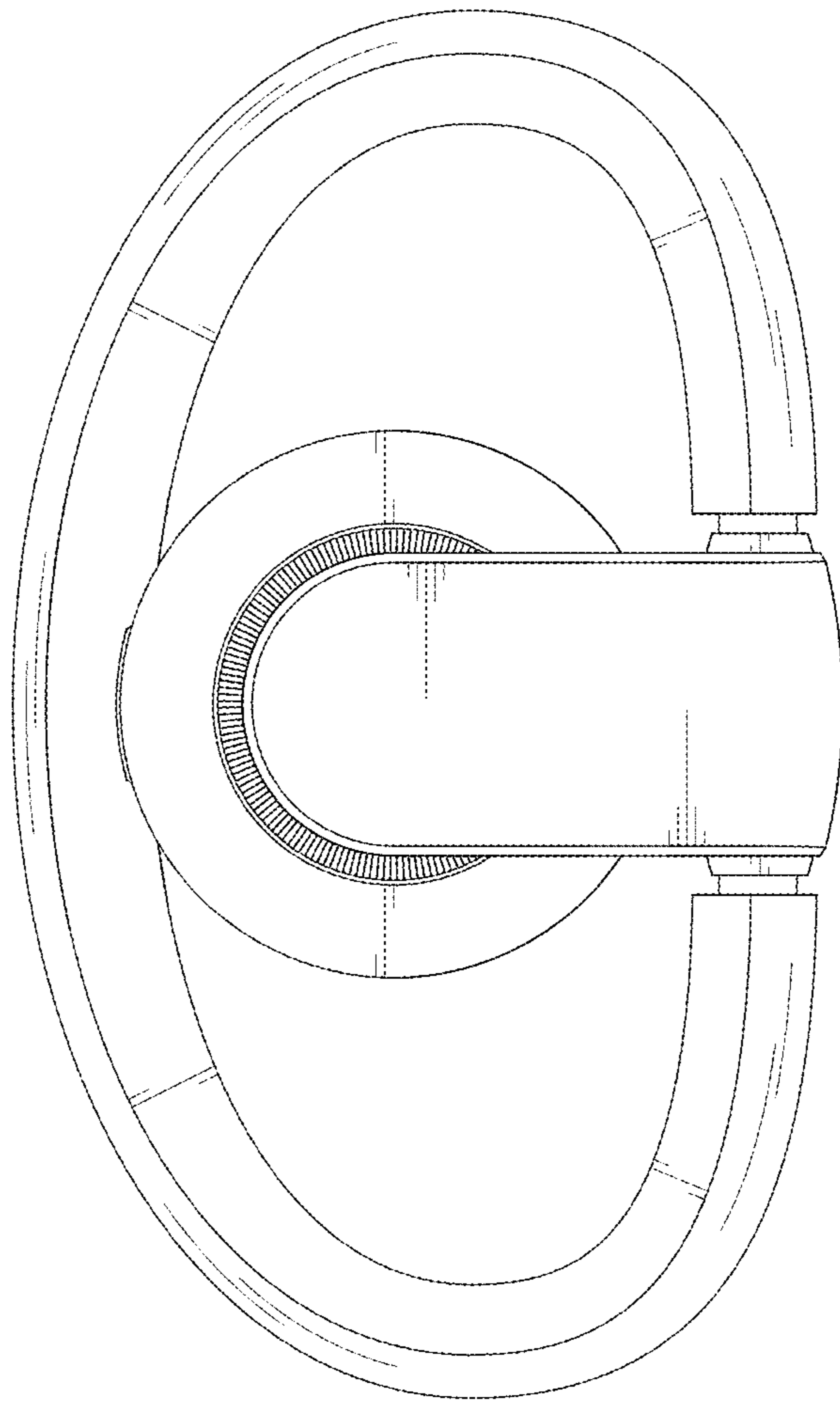


FIG. 3

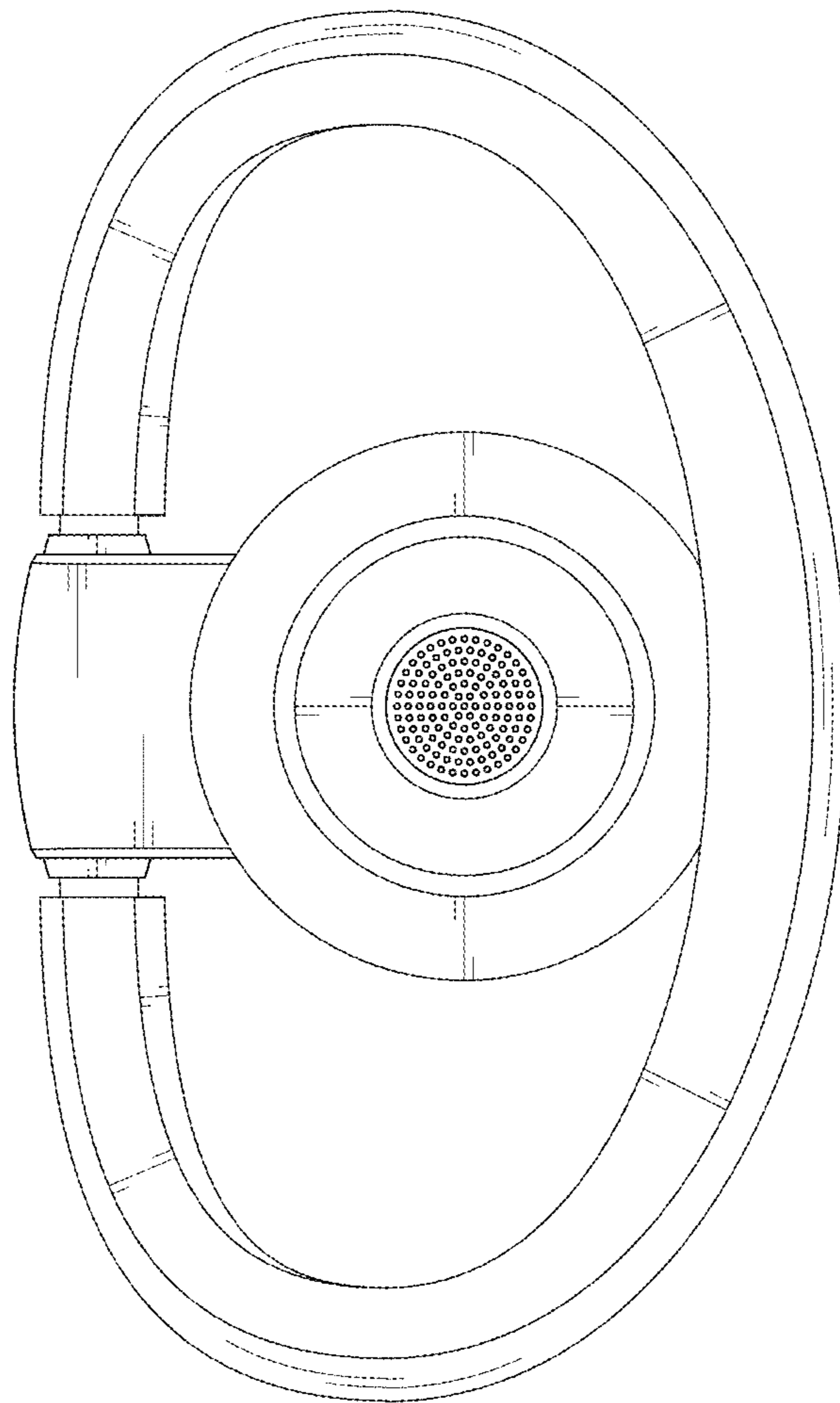


FIG. 4

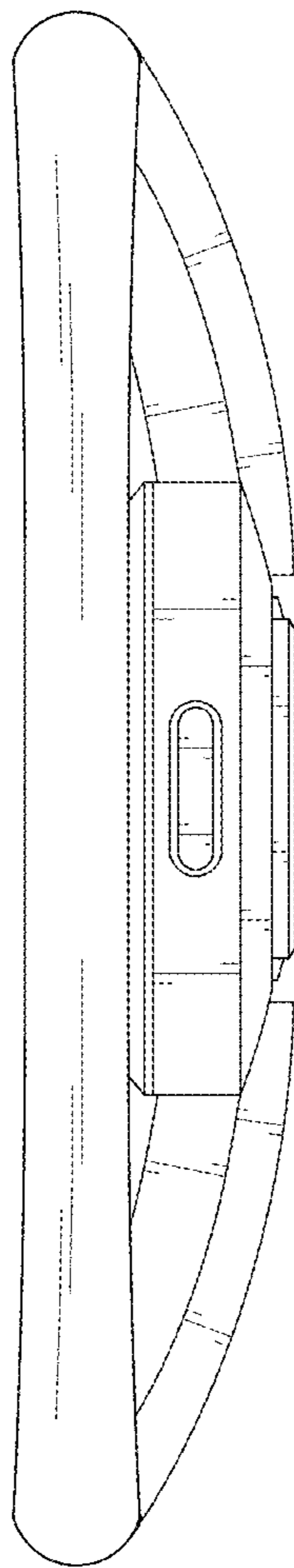


FIG. 5

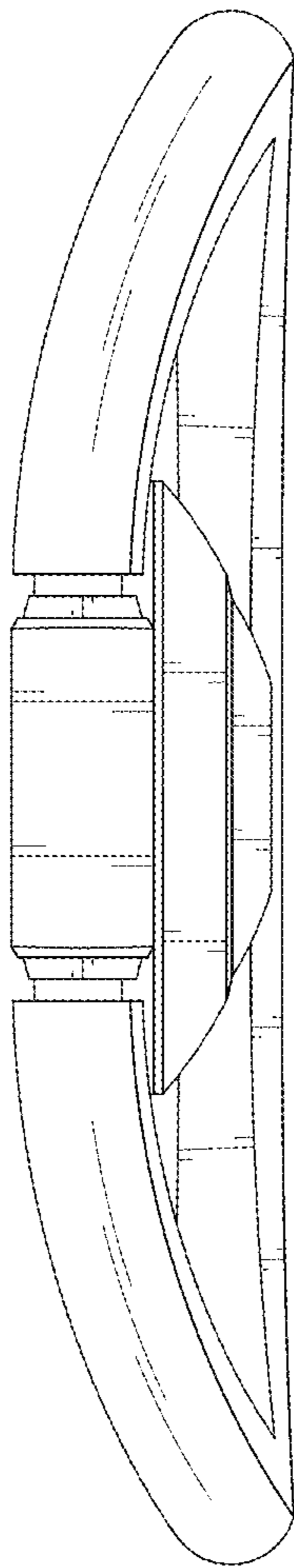


FIG. 6

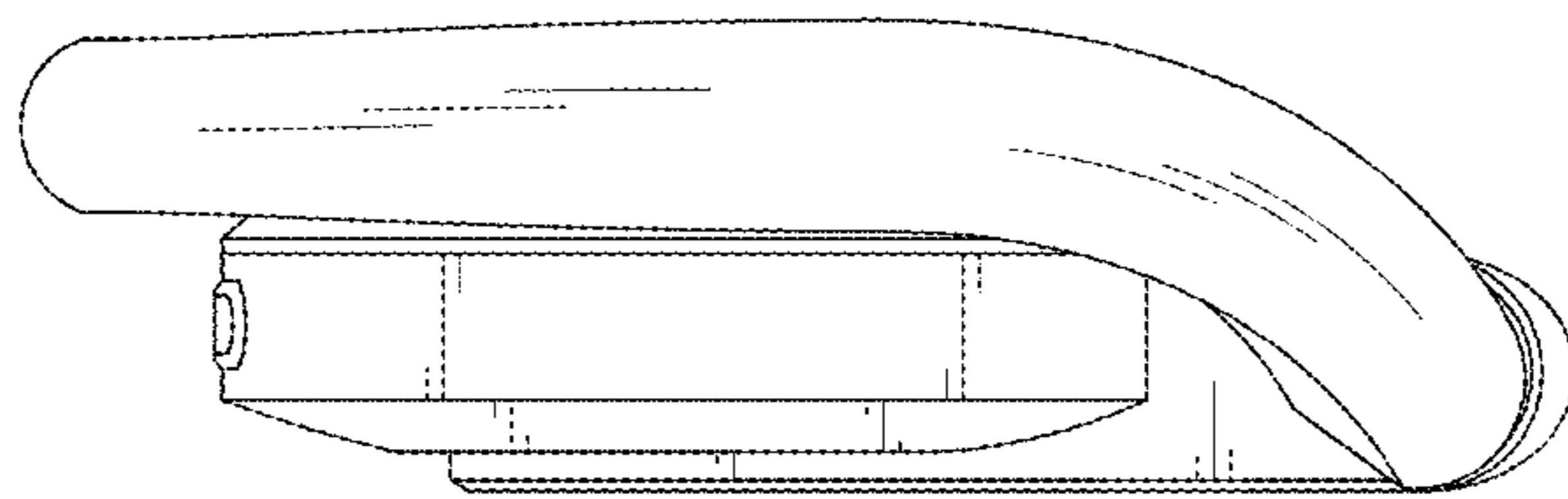


FIG. 7

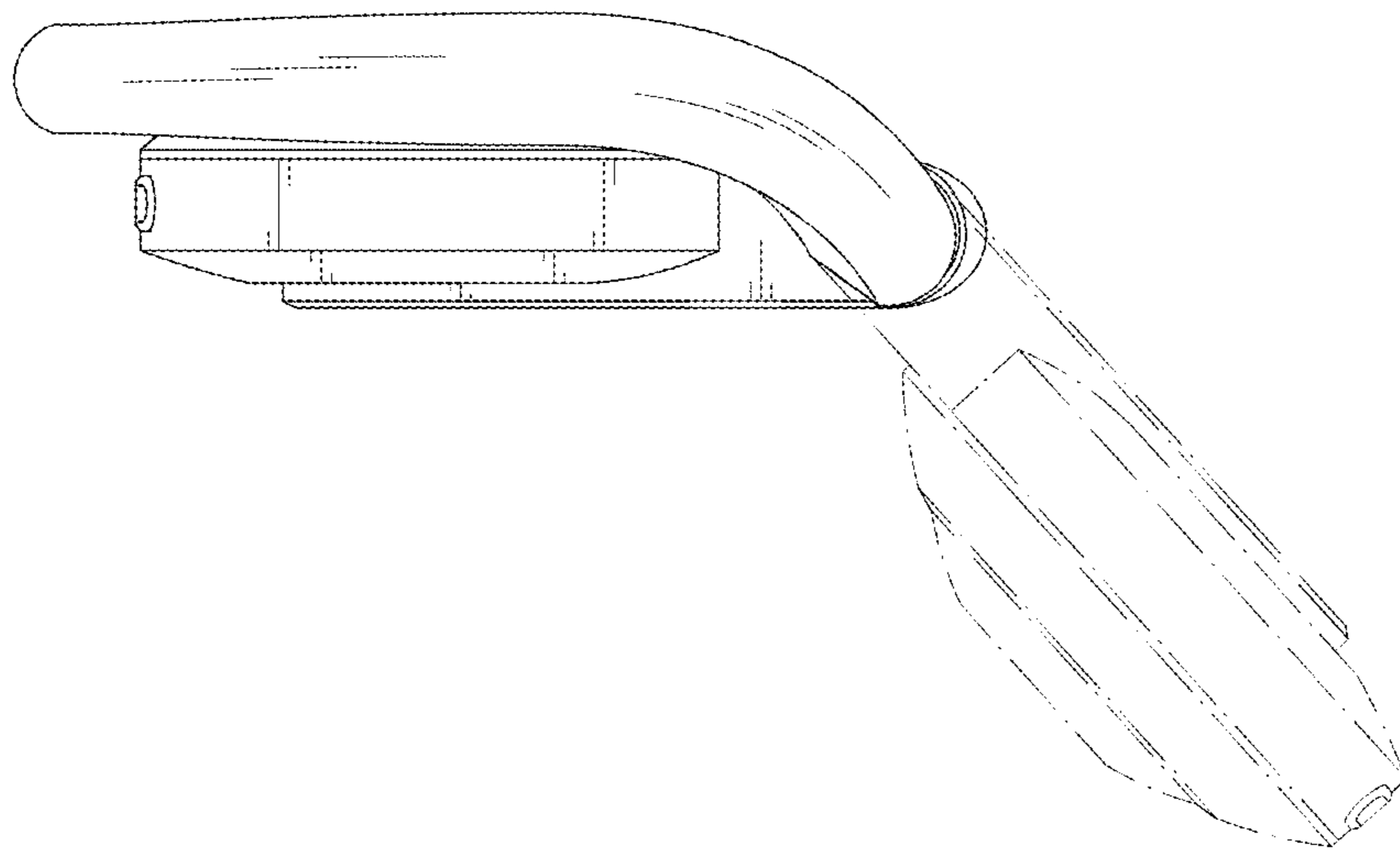


FIG. 8

