



US00D756971S

(12) **United States Design Patent**  
**Park et al.**

(10) **Patent No.:** **US D756,971 S**  
(45) **Date of Patent:** **\*\* May 24, 2016**

(54) **WIRELESS HEADSET**

(71) Applicant: **LG ELECTRONICS INC.**, Seoul (KR)

(72) Inventors: **Seala Park**, Seoul (KR); **Dongsoon Kim**, Seoul (KR); **Seungyup Lee**, Seoul (KR)

(73) Assignee: **LG ELECTRONICS INC.**, Seoul (KR)

(\*\*) Term: **14 Years**

(21) Appl. No.: **29/524,386**

(22) Filed: **Apr. 20, 2015**

(30) **Foreign Application Priority Data**

Oct. 21, 2014 (KR) ..... 30-2014-0050499

(51) **LOC (10) Cl.** ..... **14-01**

(52) **U.S. Cl.**  
USPC ..... **D14/223**

(58) **Field of Classification Search**  
USPC ..... D14/223, 206, 188, 192, 240; 181/129,  
181/130, 135; 381/380, 381, 374, 384;  
600/503, 484, 531; 128/920; 455/90.3,  
455/575.1  
CPC ..... H04R 1/105; H04R 1/1016; H04R 1/02  
See application file for complete search history.

(56) **References Cited**

**U.S. PATENT DOCUMENTS**

D176,810	S	*	1/1956	Norris	.....	D14/192
D177,346	S	*	4/1956	Norris	.....	D14/192
3,869,584	A	*	3/1975	Wilde	.....	H04M 1/05 379/430
3,906,478	A	*	9/1975	Smey	.....	B60K 28/06 340/575
D237,090	S	*	10/1975	Yanagawa	.....	381/370
4,529,058	A	*	7/1985	Emery	.....	H04R 1/105 181/129
4,881,616	A	*	11/1989	Janssen	.....	H04R 25/60 181/129
D311,521	S	*	10/1990	Jonsson	.....	D14/206
D321,881	S	*	11/1991	Hopewell	.....	D14/192

D350,961	S	*	9/1994	Nakamura	.....	D14/205
5,881,161	A	*	3/1999	Liu	.....	H04R 1/1066 381/370
D420,010	S	*	2/2000	Pitel	.....	D14/223
6,035,961	A	*	3/2000	Sun	.....	H04R 1/1058 181/126
6,320,960	B1	*	11/2001	Lathrop, III	.....	H04M 1/05 379/430
D464,638	S	*	10/2002	Huang	.....	D14/205
D465,209	S	*	11/2002	Rath	.....	D14/206
D472,890	S	*	4/2003	Suzuki	.....	D14/223
7,013,018	B2	*	3/2006	Bogeskov-Jensen	...	H04M 1/05 381/370
D523,845	S	*	6/2006	Smith	.....	D14/205
D524,795	S	*	7/2006	Cohen	.....	D14/206
D529,901	S	*	10/2006	Ohta	.....	D14/223
7,209,177	B2	*	4/2007	Lapalme	.....	B21F 1/002 348/375
D556,740	S	*	12/2007	Xavier	.....	D14/223
D561,738	S	*	2/2008	Ikeda	.....	D14/205
D565,024	S	*	3/2008	Kim	.....	D14/205
D581,395	S	*	11/2008	Sade	.....	D14/205
D593,075	S	*	5/2009	Williams	.....	D14/223
D603,847	S	*	11/2009	Chung	.....	D14/223

(Continued)

*Primary Examiner* — Paula Greene

(74) *Attorney, Agent, or Firm* — Birch, Stewart, Kolasch & Birch, LLP

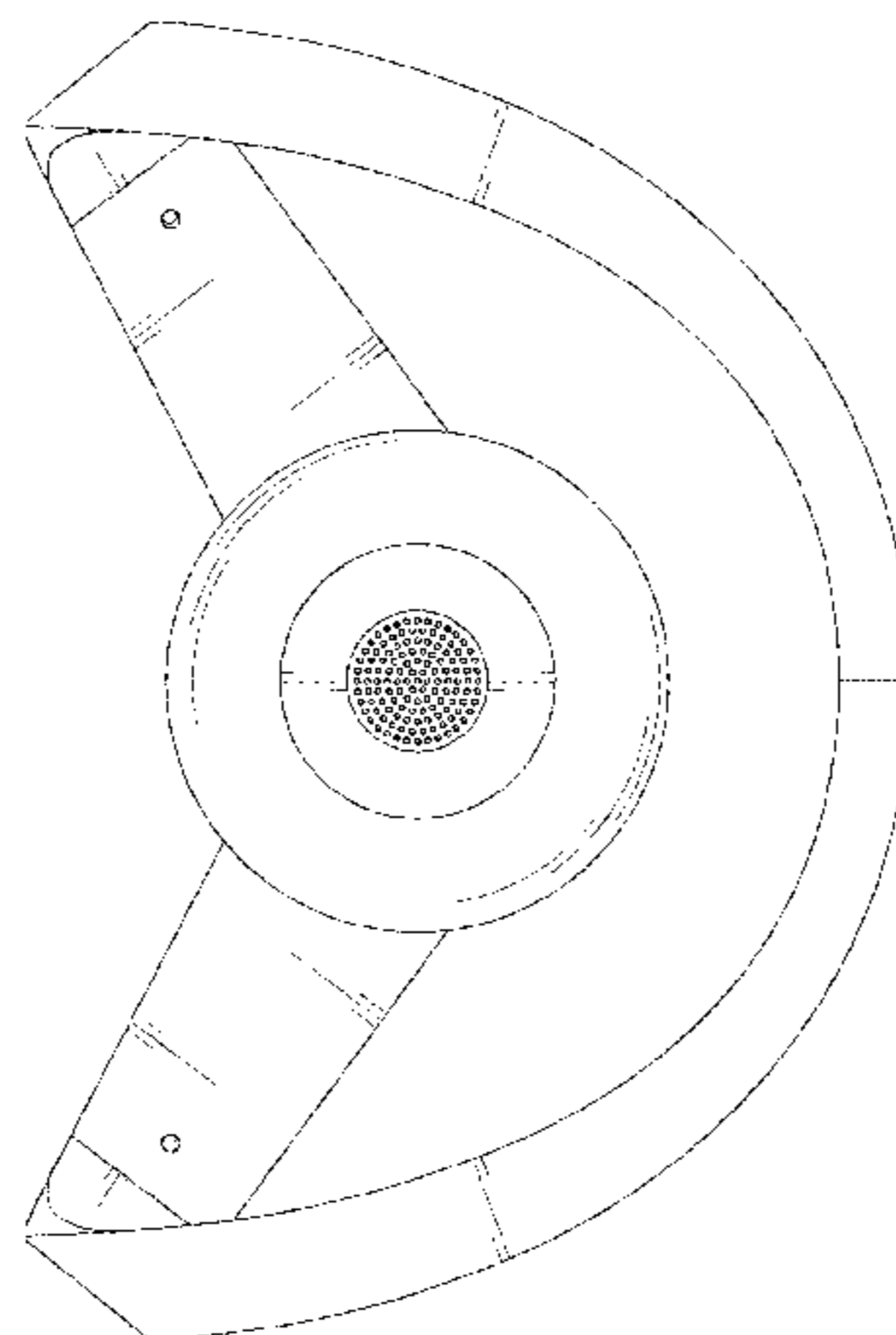
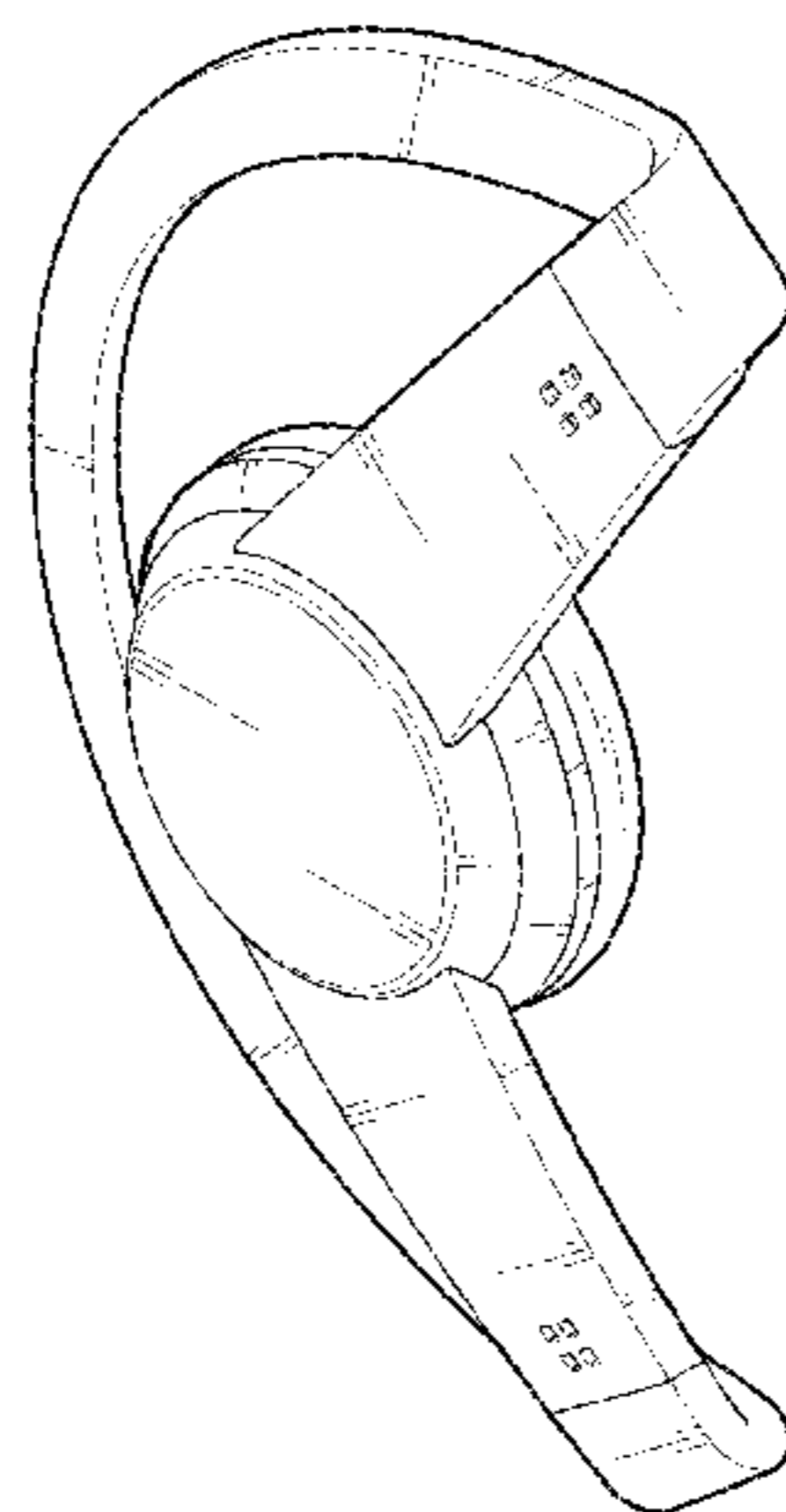
(57) **CLAIM**

The ornamental design for wireless headset, as shown and described.

**DESCRIPTION**

FIG. 1 is a perspective view of a wireless headset showing our new design;  
FIG. 2 is as front view thereof;  
FIG. 3 is a rear view thereof;  
FIG. 4 is a left side view thereof;  
FIG. 5 is a right side view thereof,  
FIG. 6 is a top plan view thereof where the bottom plan view is a mirror image;  
FIG. 7 is a reference view thereof showing that the size can be adjusted by setting the ear hook part; and,  
FIG. 8 is a reference view thereof showing an example of the usage of the subject design.  
The broken lines in FIGS. 7 and 8 show environmental structure only and form no part of the claimed design.

**1 Claim, 8 Drawing Sheets**



(56)

**References Cited**

U.S. PATENT DOCUMENTS

7,708,110	B2 *	5/2010	Leong	.....	A61F 11/08				
					128/867				
D624,529	S *	9/2010	Huang	.....	D14/206				
D686,196	S *	7/2013	Lee	.....	D14/223				
8,611,969	B2 *	12/2013	Smith	.....	H04M 1/05				
					181/135				
8,767,997	B2 *	7/2014	Fujiwara	.....	H04R 1/105				
					381/381				
D741,299	S *	10/2015	Brunner	.....	D14/223				
9,167,334	B2 *	10/2015	Triato	.....	H04R 1/1066				
D743,945	S *	11/2015	Brunner	.....	D14/223				
D743,946	S *	11/2015	Brunner	.....	D14/223				
D745,863	S *	12/2015	Hardi	.....	D14/223				
2012/0057739	A1 *	3/2012	Smith	.....	H04M 1/05				
					381/379				
2013/0216087	A1 *	8/2013	MacDonald	.....	H04R 1/105				
					381/381				

\* cited by examiner

FIG. 1

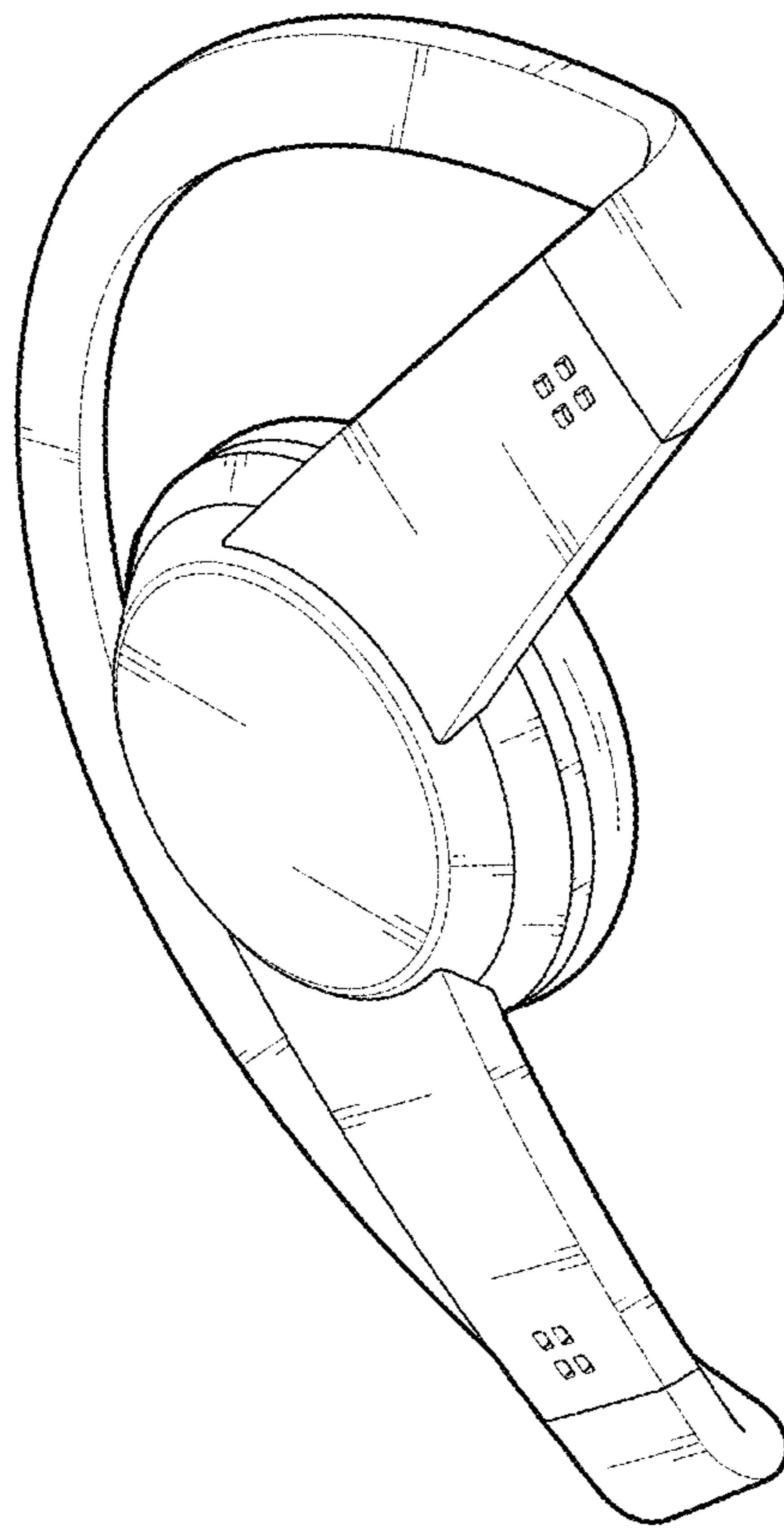


FIG. 2

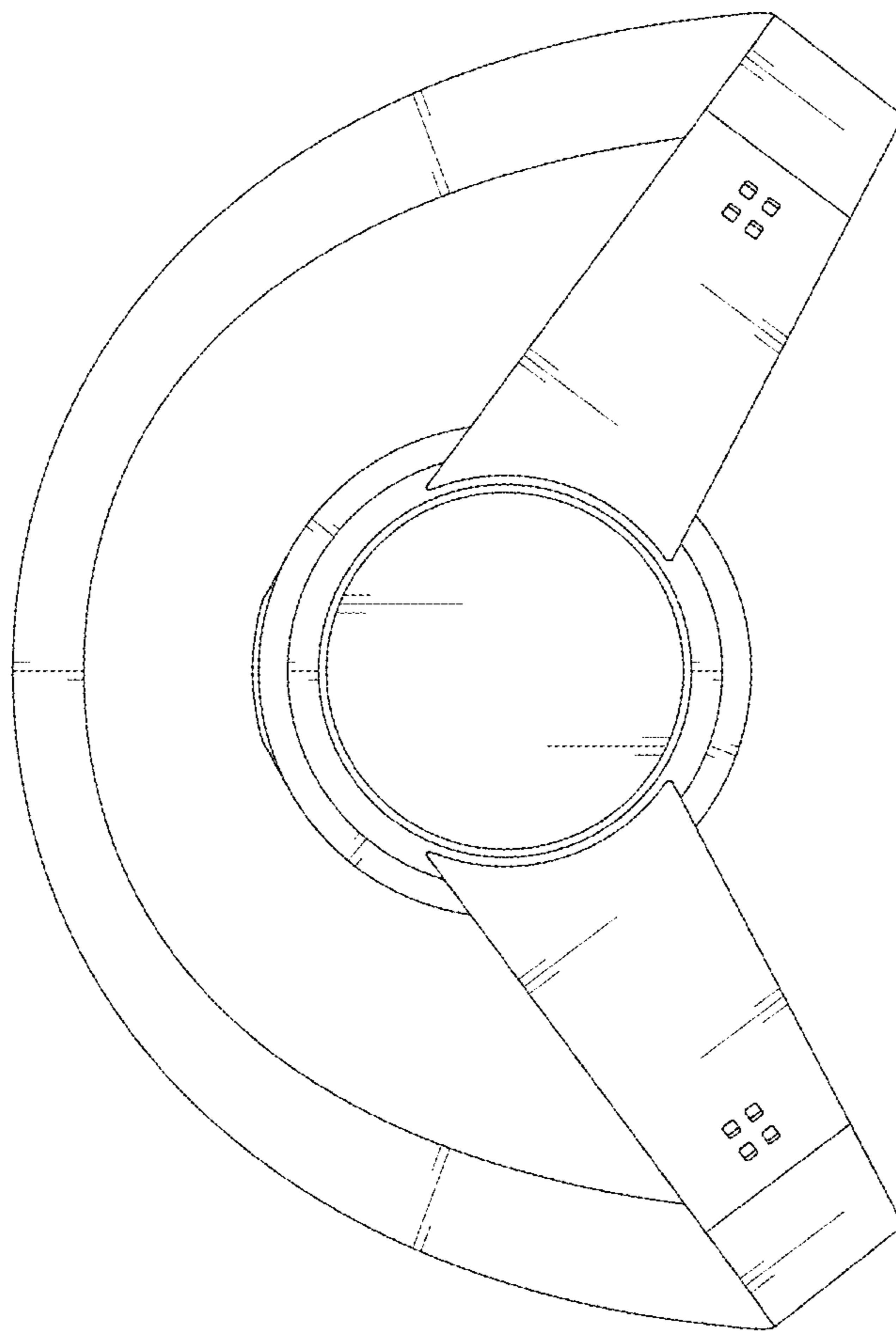


FIG. 3

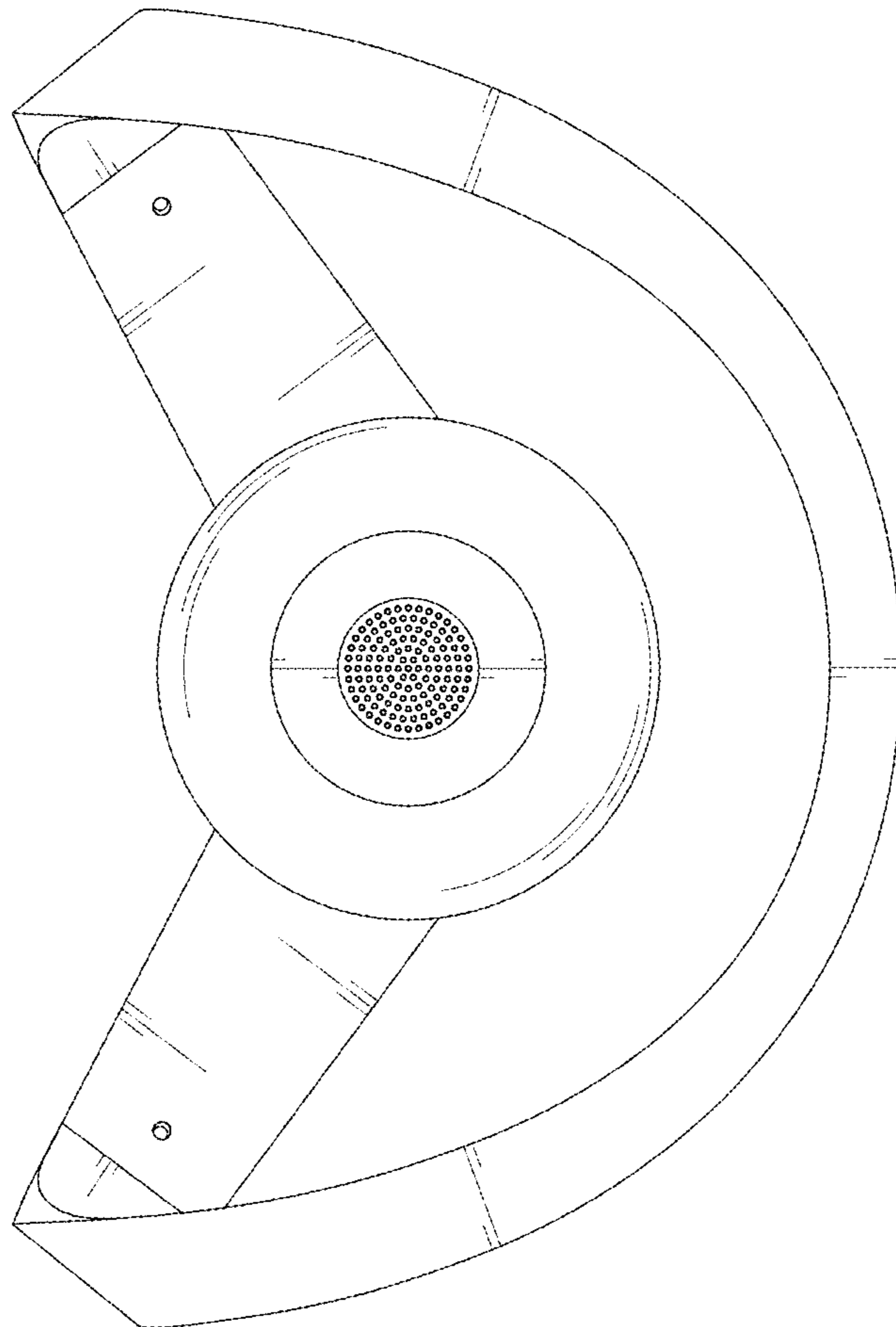


FIG. 4

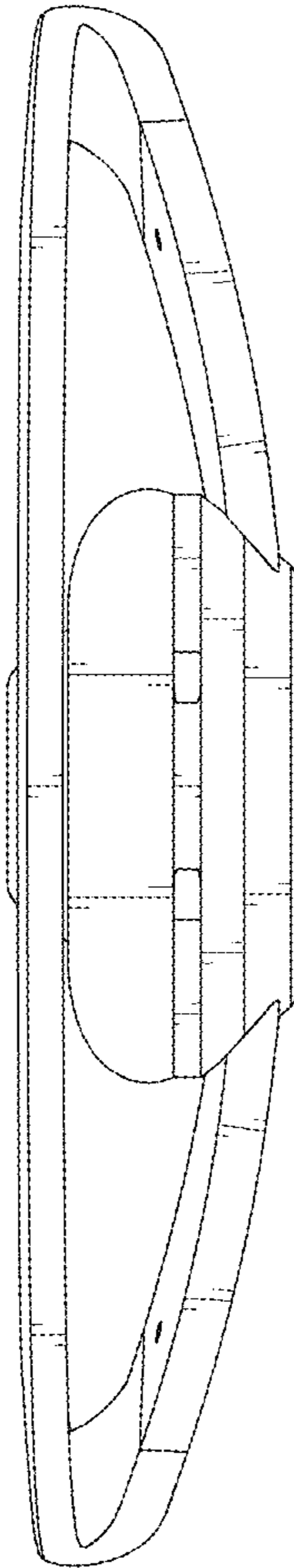


FIG. 5

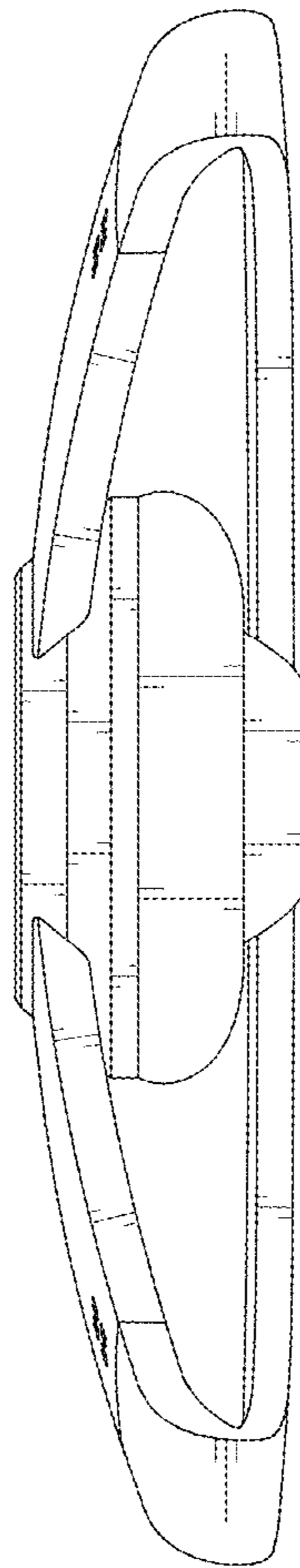


FIG. 6

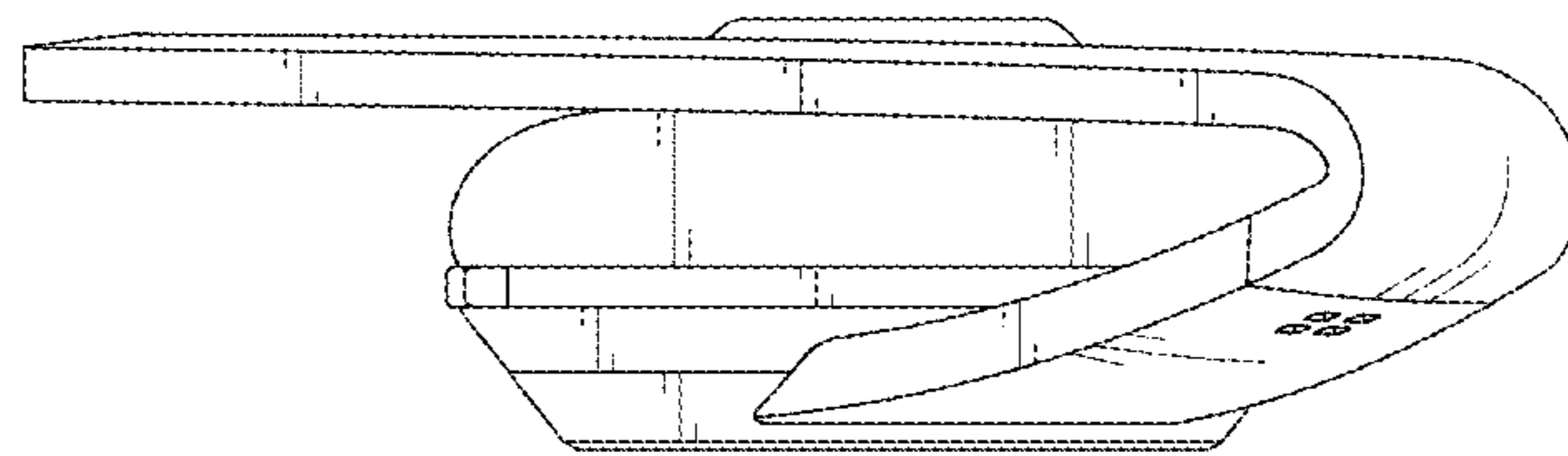




FIG. 7

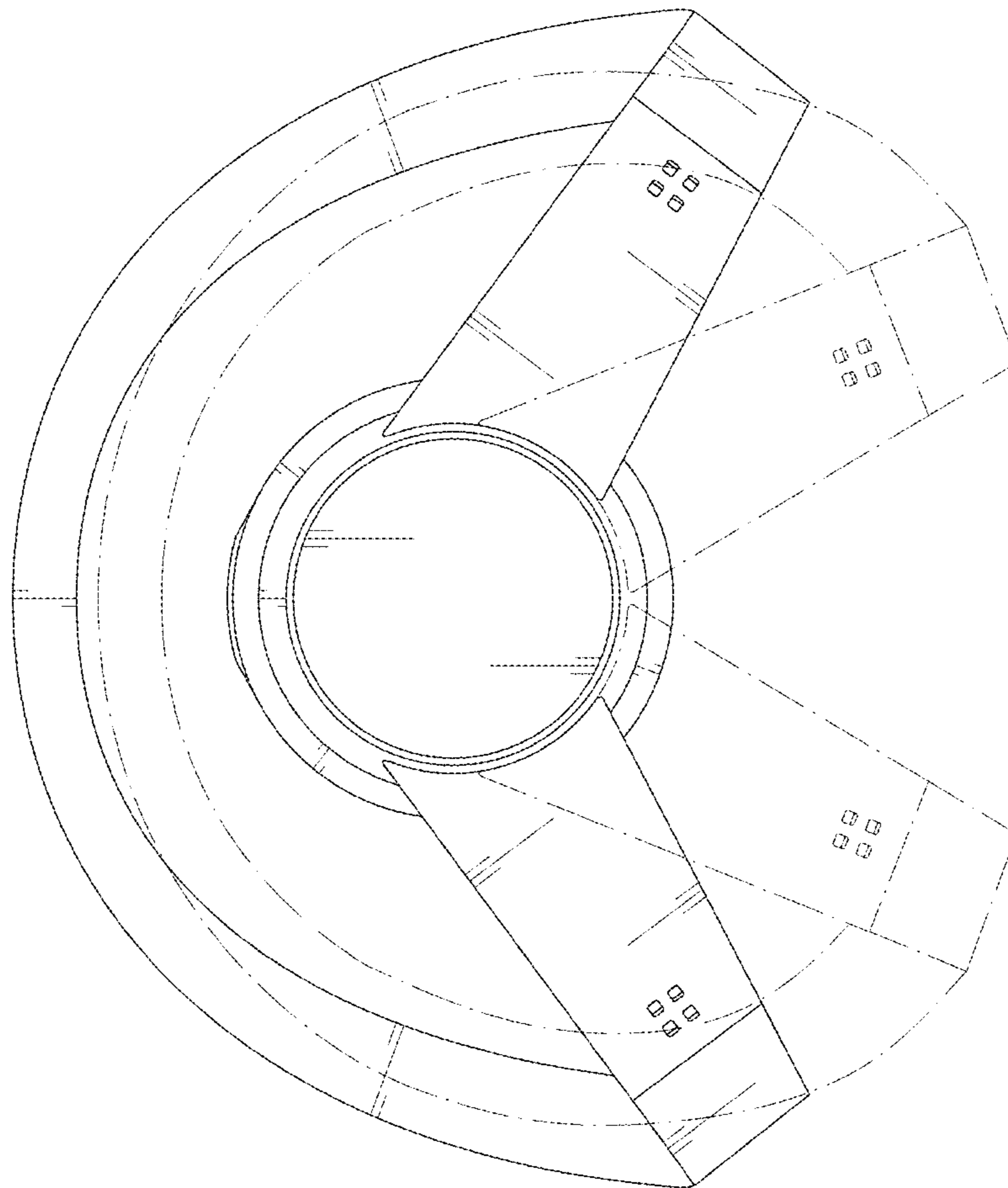


FIG. 8

