



US00D756970S

(12) **United States Design Patent**
Ferber et al.

(10) **Patent No.:** **US D756,970 S**
(45) **Date of Patent:** **** May 24, 2016**

- (54) **EARPHONE COMPONENT**
- (71) Applicant: **FKA Distributing Co., LLC**,
Commerce Township, MI (US)
- (72) Inventors: **Roman S. Ferber**, West Bloomfield, MI
(US); **Hing Wah Tsang**, Ajax (CA)
- (73) Assignee: **FKA Distributing Co., LLC**,
Commerce Township, MI (US)
- (**) Term: **14 Years**
- (21) Appl. No.: **29/522,489**
- (22) Filed: **Mar. 31, 2015**
- (51) **LOC (10) Cl.** **14-01**
- (52) **U.S. Cl.**
USPC **D14/223**
- (58) **Field of Classification Search**
USPC D14/223, 205; D24/106, 174; 181/129,
181/130, 135; 379/430, 431; 381/380, 381;
128/864-867; D8/311, 310, 312;
D23/252; 16/121, 110.1; 411/427
CPC H04R 25/00; H04R 1/1016; H04R 1/1058
See application file for complete search history.

- D416,060 S * 11/1999 Angeles D21/694
- 6,595,317 B1 * 7/2003 Widmer H04R 25/652
181/129
- 6,731,772 B1 * 5/2004 Byun H04R 1/12
181/130
- 6,974,626 B2 * 12/2005 Horacek A63B 49/08
16/110.1
- 7,106,876 B2 * 9/2006 Santiago H04R 1/406
379/420.03
- D572,703 S * 7/2008 Ledbetter D14/205
- D572,706 S * 7/2008 Schaefer D14/223
- D600,675 S * 9/2009 Lee D14/205
- 7,602,933 B2 10/2009 Cartwright et al.
- 7,627,131 B2 12/2009 Nielsen et al.
- D643,415 S 8/2011 Vasquez
- 8,208,676 B2 6/2012 Murozaki et al.
- D676,415 S * 2/2013 Erdel D14/205
- D689,472 S * 9/2013 Erdel D14/223
- D698,023 S * 1/2014 Iseberg D24/174
- D709,610 S * 7/2014 Pick D24/106
- 2008/0187161 A1 * 8/2008 Tiemens B29C 44/1214
381/380
- 2011/0268308 A1 11/2011 Vasquez
- 2014/0166389 A1 6/2014 Young-Mun
- 2015/0047650 A1 2/2015 Blanchard

FOREIGN PATENT DOCUMENTS

- JP 3161011 A 7/2010
- KR 200457132 Y1 12/2011

* cited by examiner

Primary Examiner — Paula Greene

(74) *Attorney, Agent, or Firm* — Brooks Kushman P.C.

(56) **References Cited**
U.S. PATENT DOCUMENTS

- 1,830,198 A * 11/1931 French H04R 25/652
181/135
- D153,981 S * 5/1949 Reinecke D7/393
- 2,504,307 A * 4/1950 Dalton H04M 1/03
200/302.1
- D168,902 S * 2/1953 Mundt D8/311
- D169,551 S * 5/1953 Kendrick D23/250
- D176,508 S * 1/1956 Enos D8/311
- 2,804,072 A * 8/1957 Genzer A61F 11/08
128/864
- D216,692 S * 3/1970 Young D23/250
- D231,317 S * 4/1974 Ludwick D8/312
- 3,934,100 A 1/1976 Harada
- D299,052 S * 12/1988 Yost D23/252
- D324,986 S * 3/1992 Fratantonio D8/312
- D328,559 S * 8/1992 Wilson D8/312
- D371,193 S * 6/1996 Myers D24/106

(57) **CLAIM**
The ornamental design for an earphone component, as shown and described.

DESCRIPTION

FIG. 1 is a perspective view of an earphone component according to an embodiment;
FIG. 2 is a front side view of the earphone component of FIG. 1;
FIG. 3 is a rear side view of the earphone component of FIG. 1;
FIG. 4 is a left side view of the earphone component of FIG. 1;

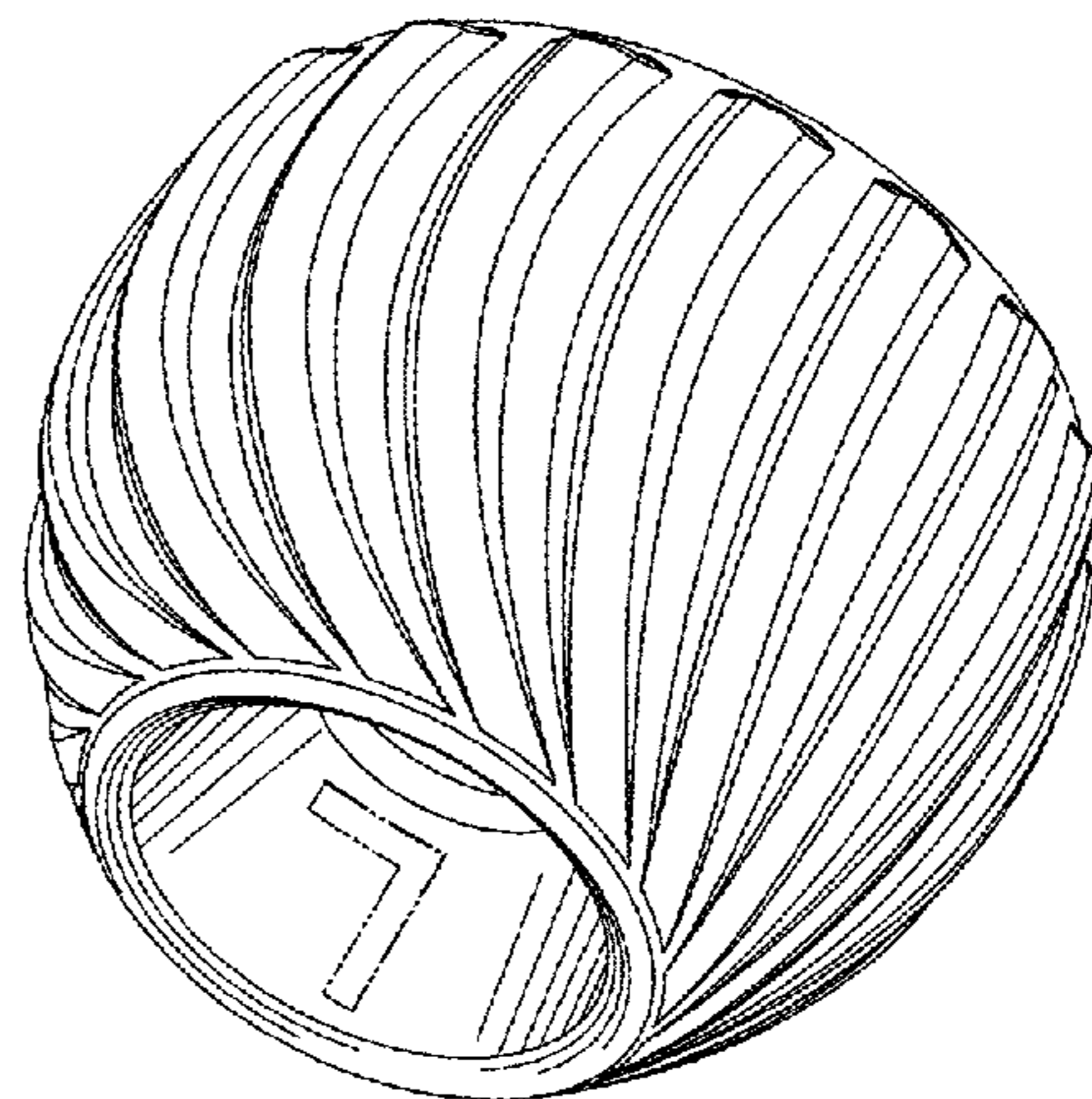
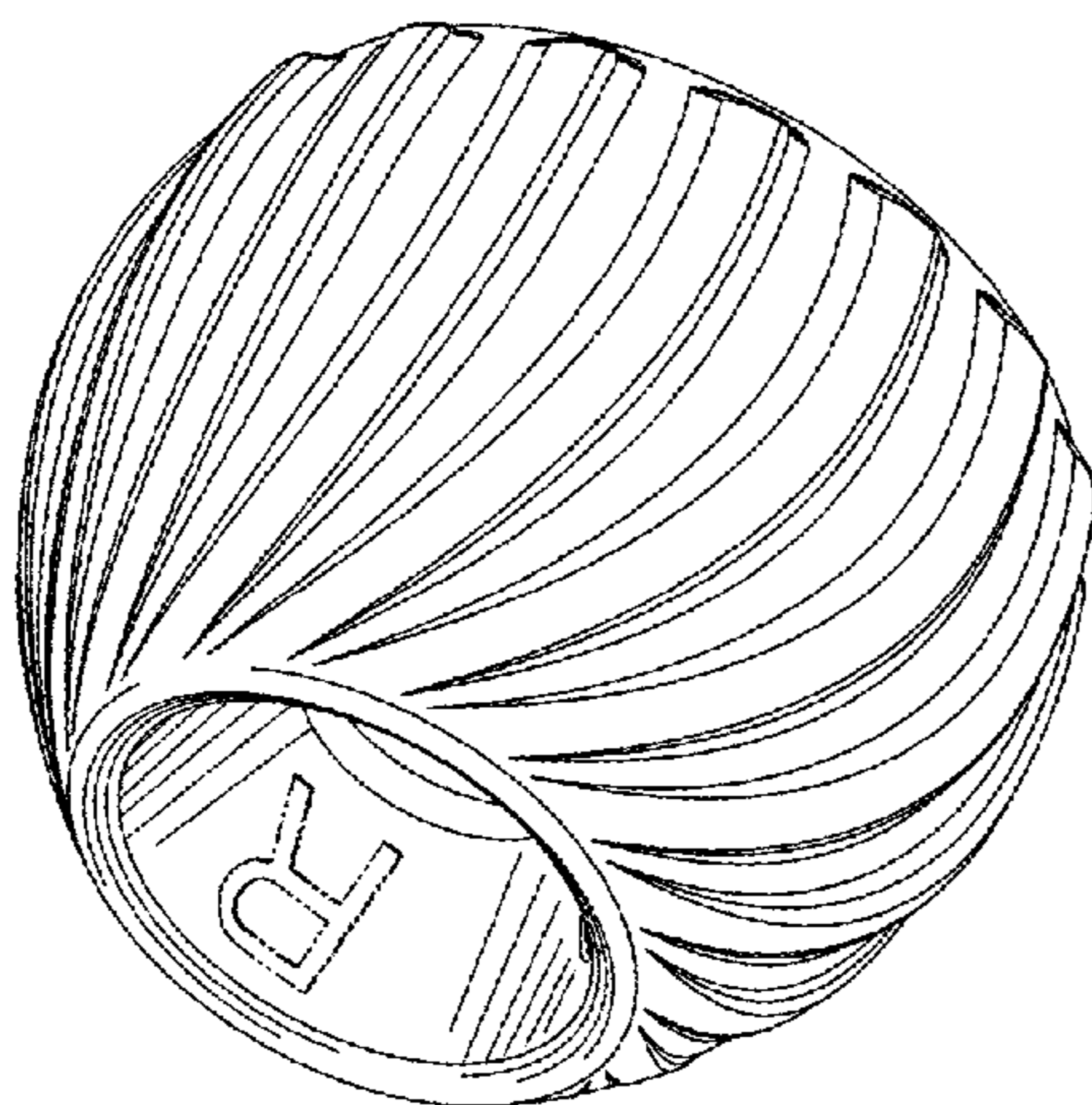


FIG. **5** is a right side view of the earphone component of FIG. **1**;
FIG. **6** is a top side view of the earphone component of FIG. **1**;
FIG. **7** is a bottom side view of the earphone component of FIG. **1**;
FIG. **8** is a perspective view of an earphone component according to another embodiment;
FIG. **9** is a front side view of the earphone component of FIG. **8**;
FIG. **10** is a rear side view of the earphone component of FIG. **8**;

FIG. **11** is a left side view of the earphone component of FIG. **8**;
FIG. **12** is a right side view of the earphone component of FIG. **8**;
FIG. **13** is a top side view of the earphone component of FIG. **8**; and,
FIG. **14** is a bottom side view of the earphone component of FIG. **8**.
The broken lines are for illustrative purposes only and form no part of the claimed design.

1 Claim, 4 Drawing Sheets

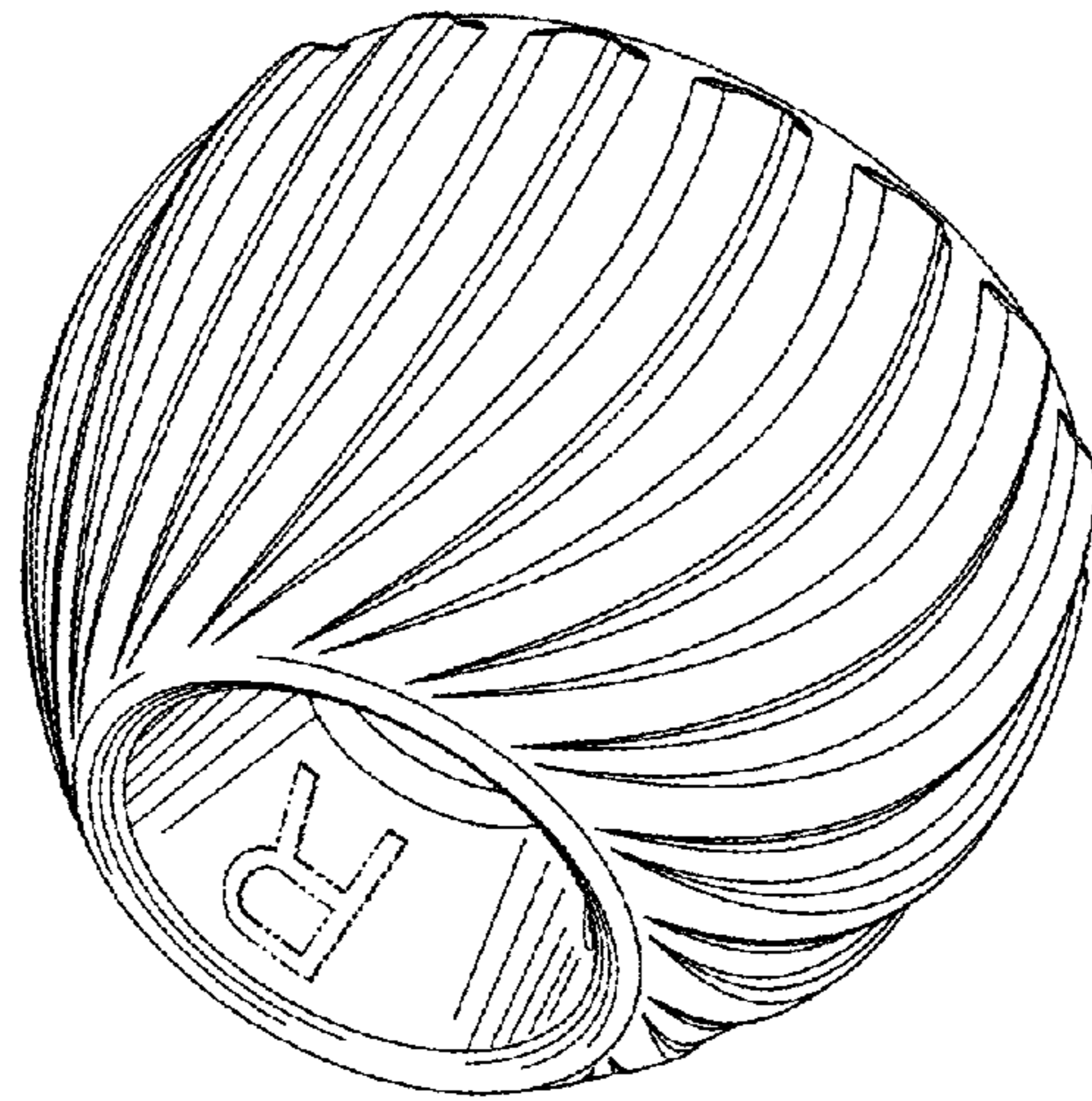


FIG. 1

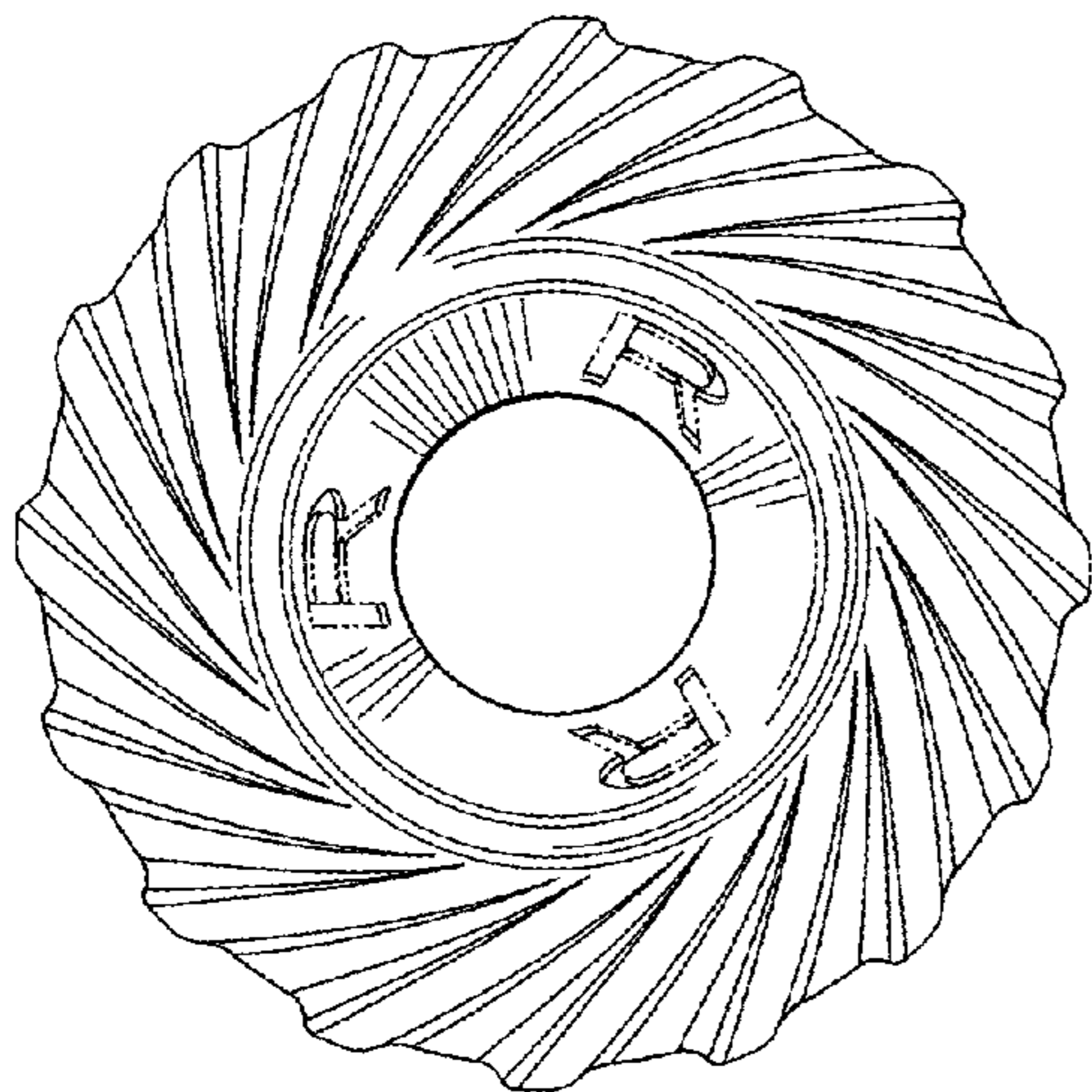


FIG. 2

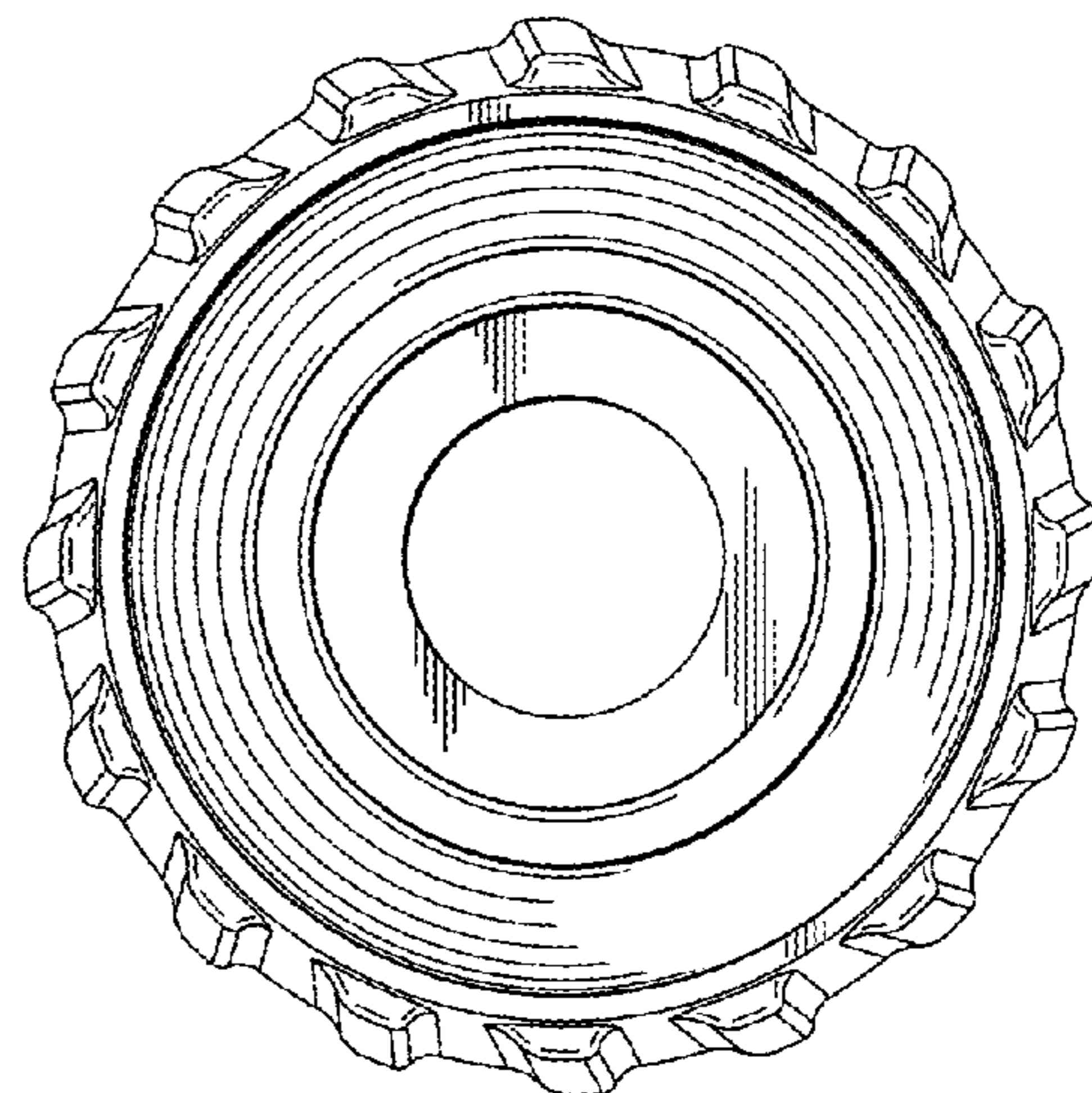


FIG. 3

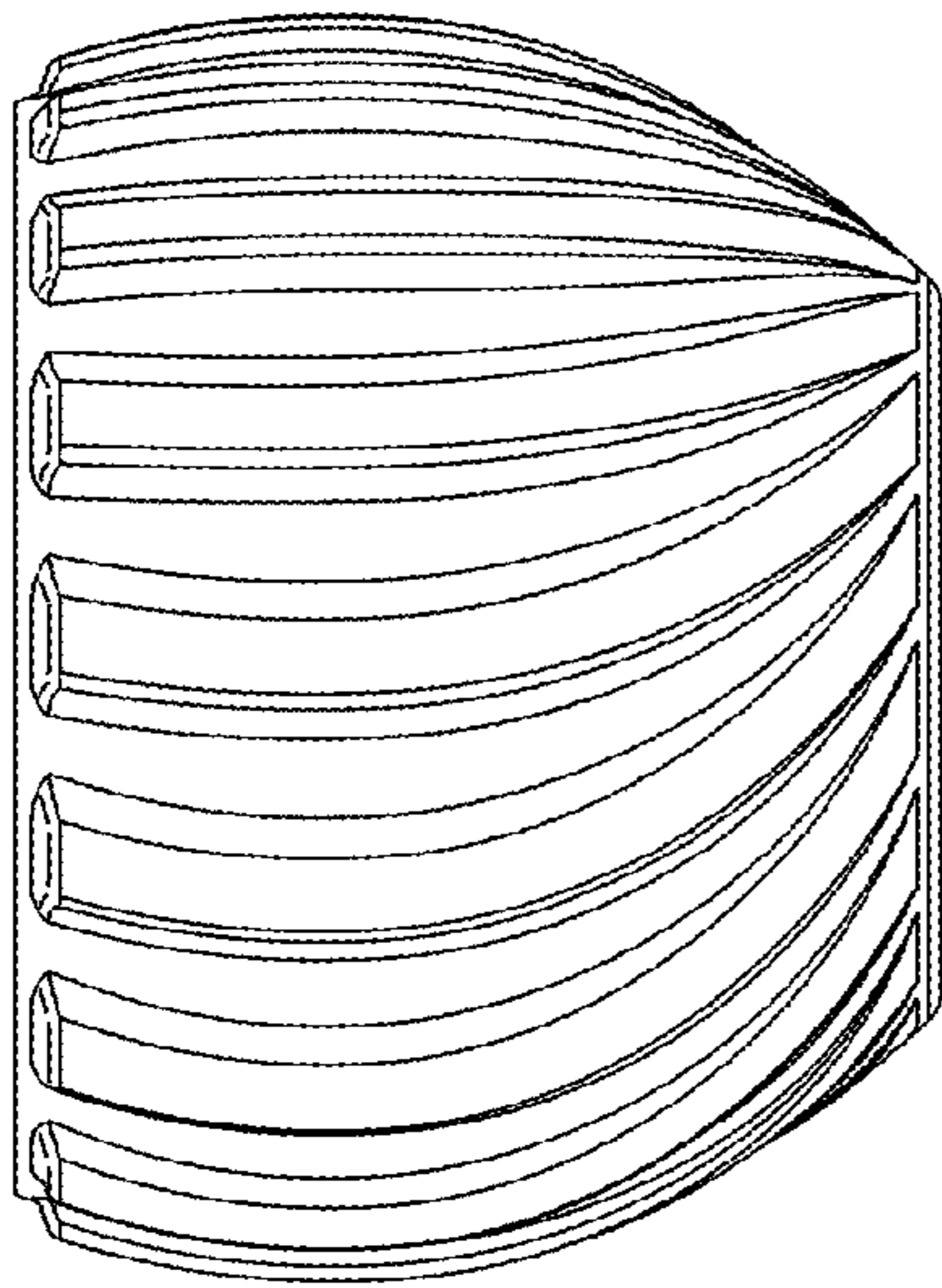


FIG. 4

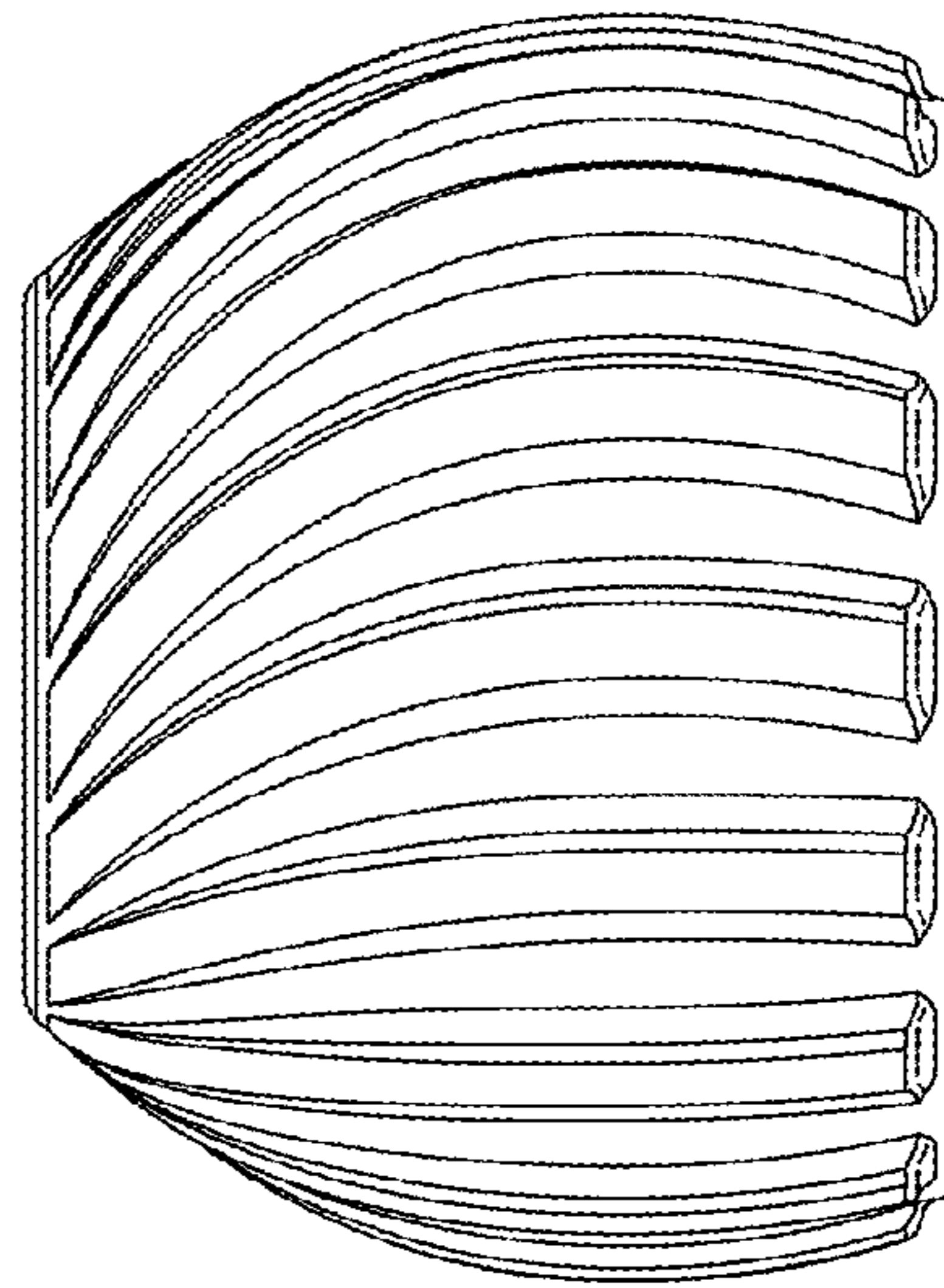


FIG. 5

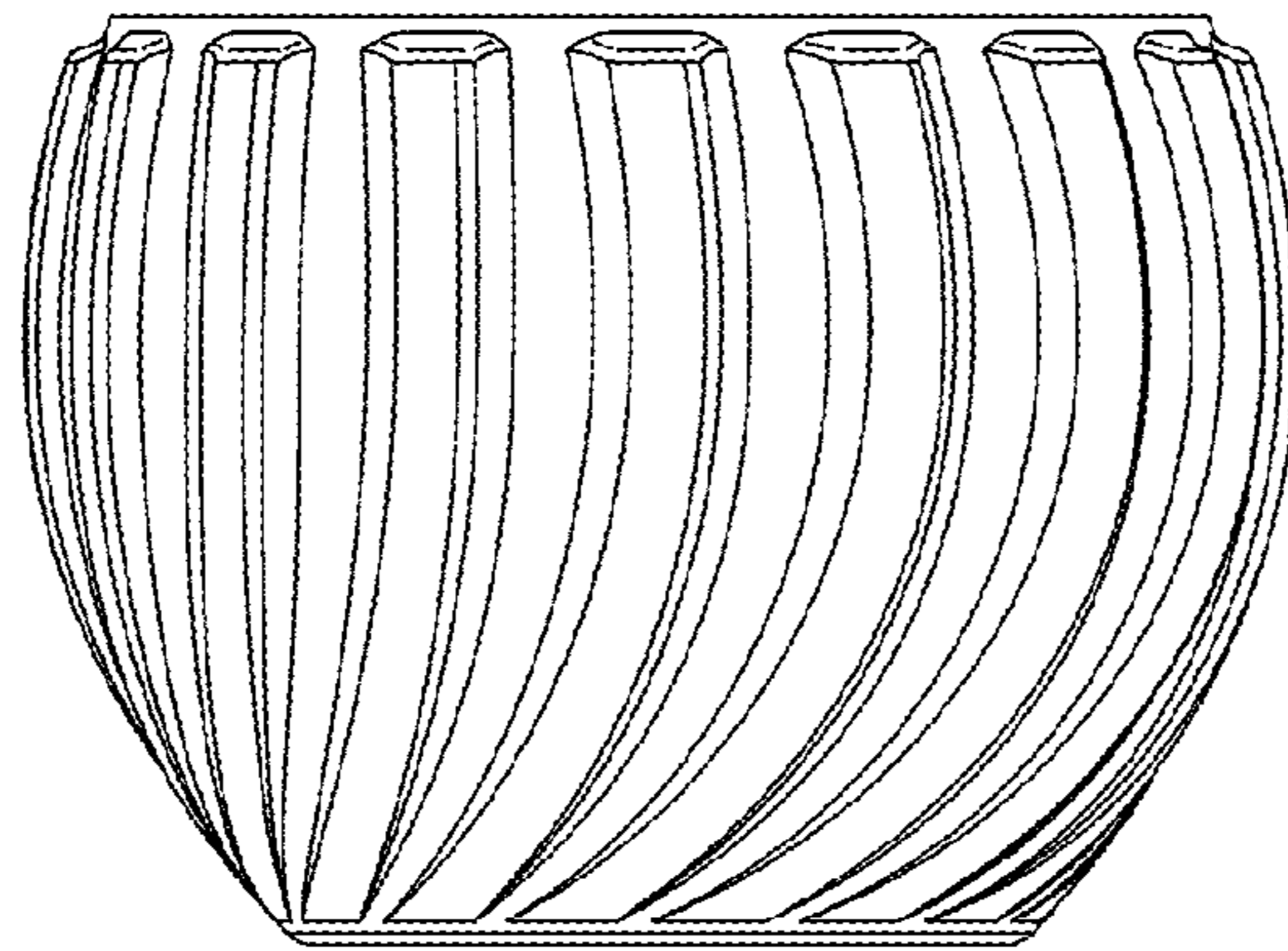


FIG. 6

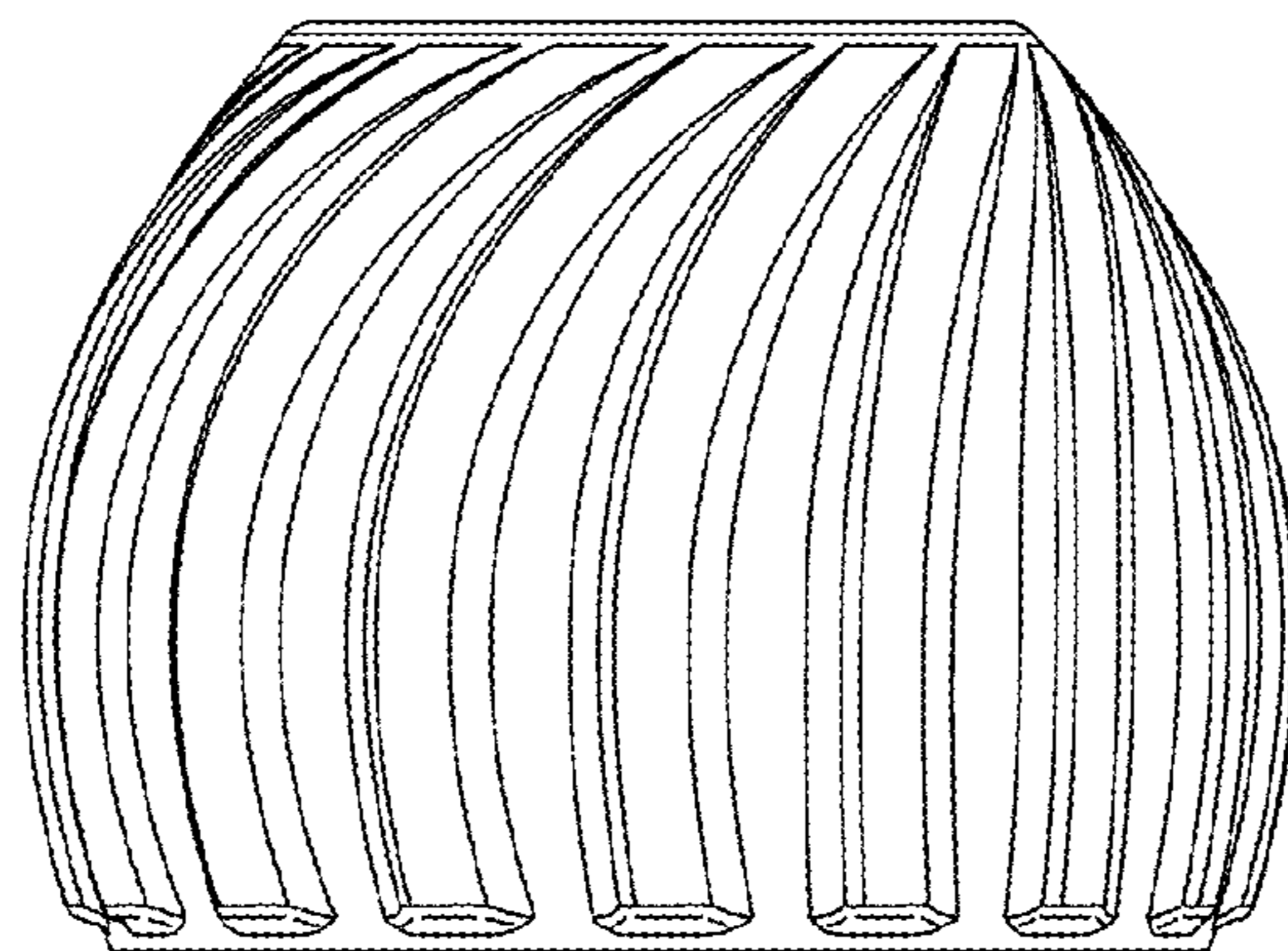


FIG. 7

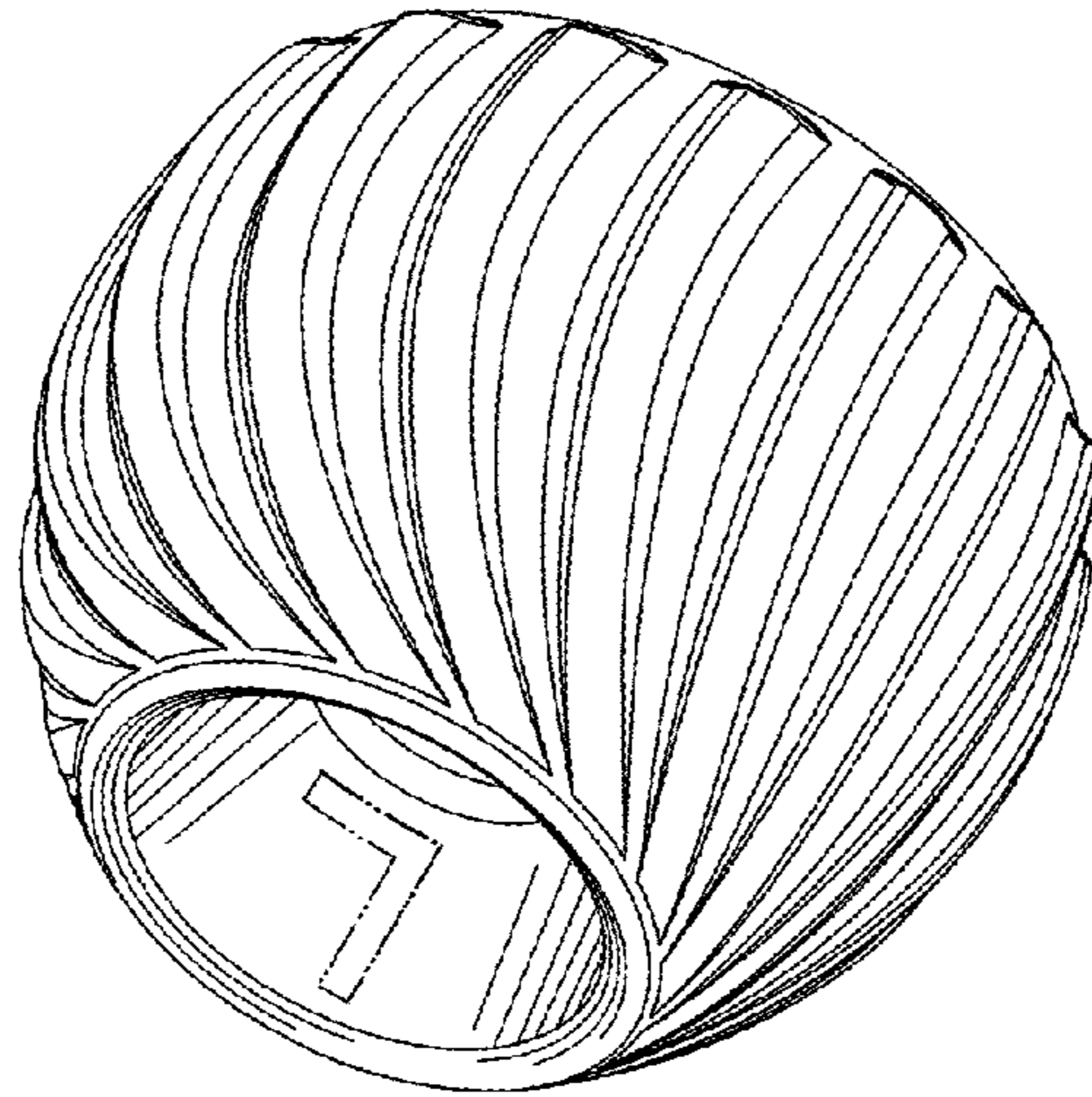


FIG. 8

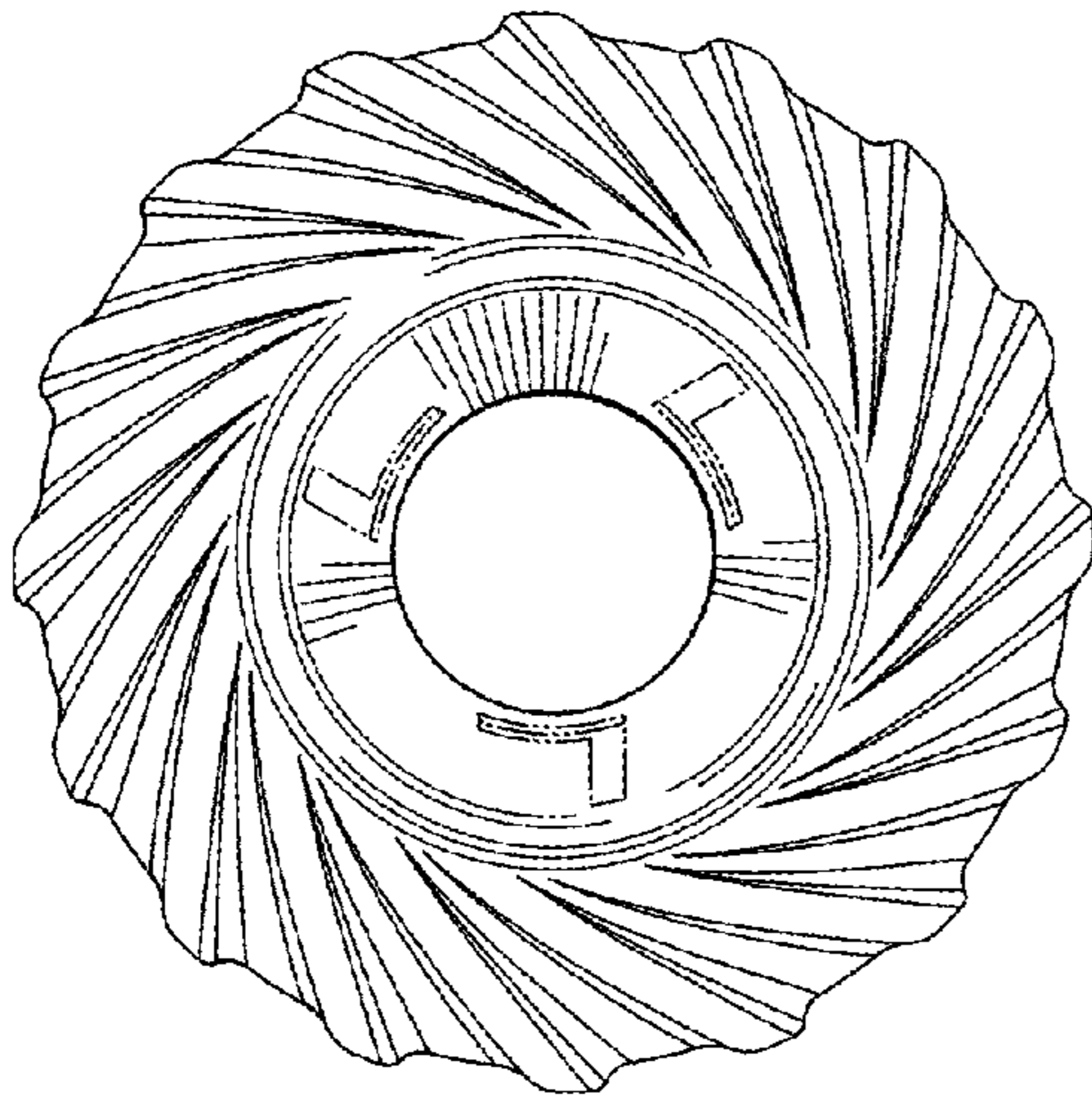


FIG. 9

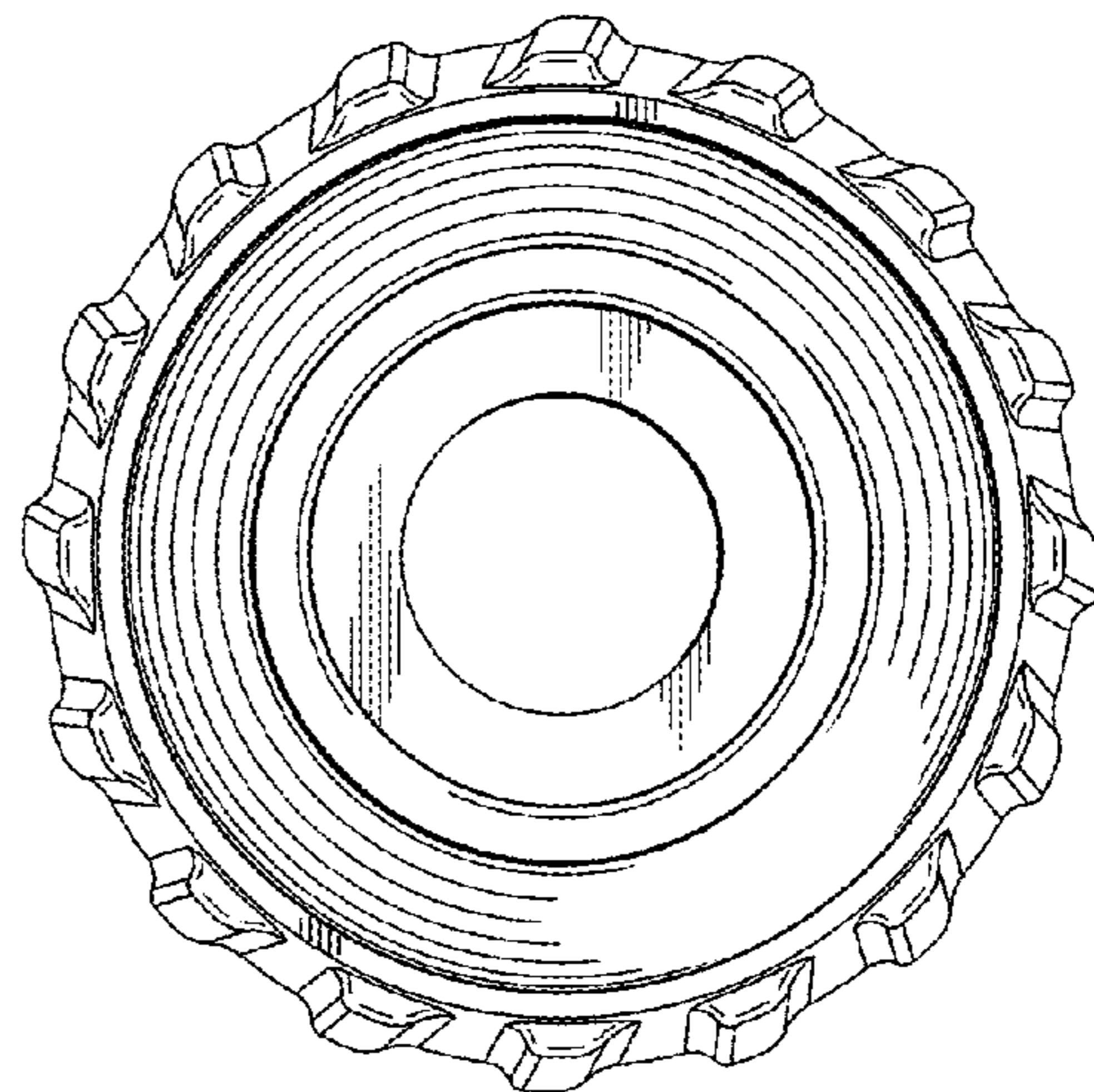


FIG. 10

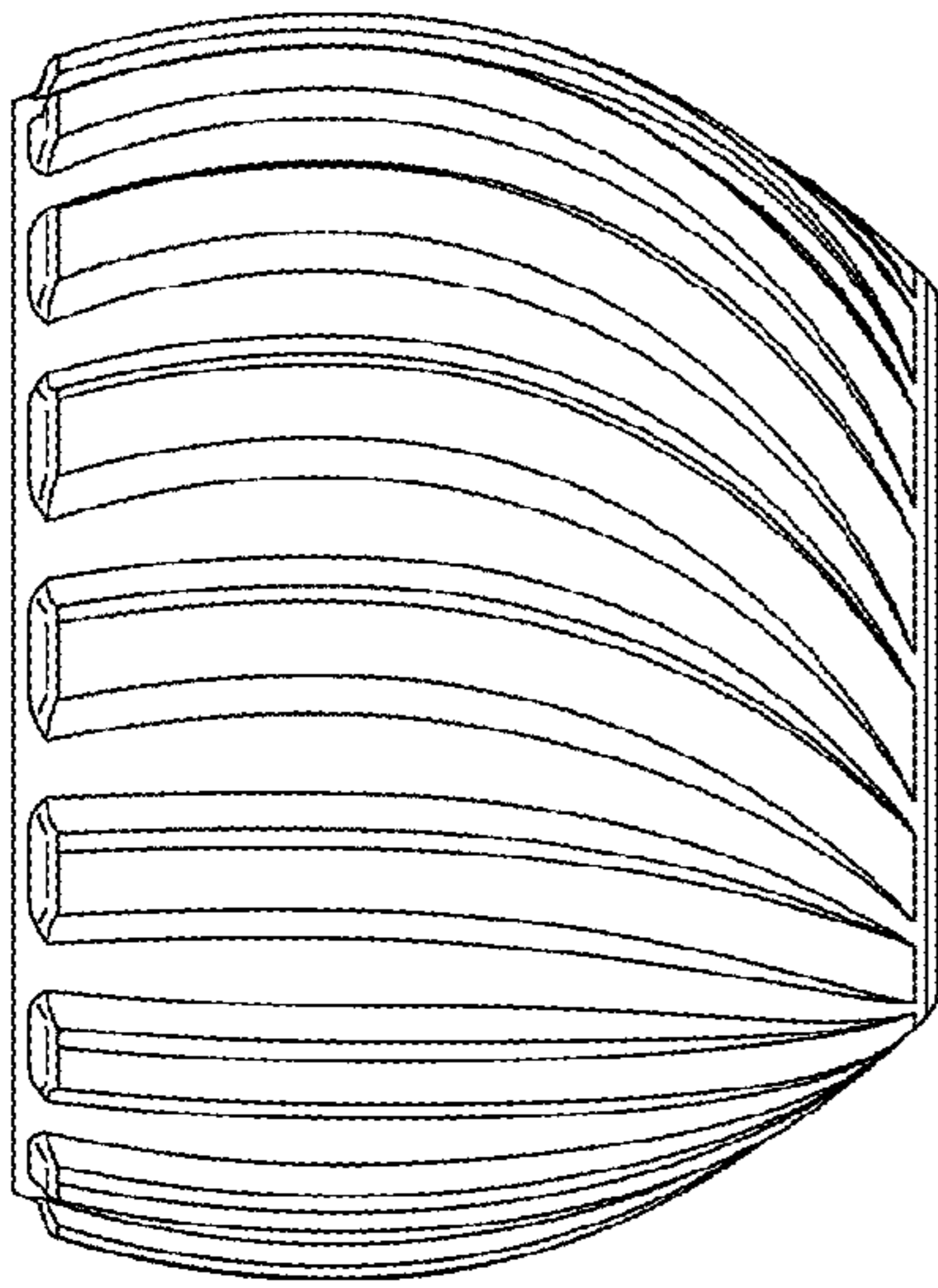


FIG. 11

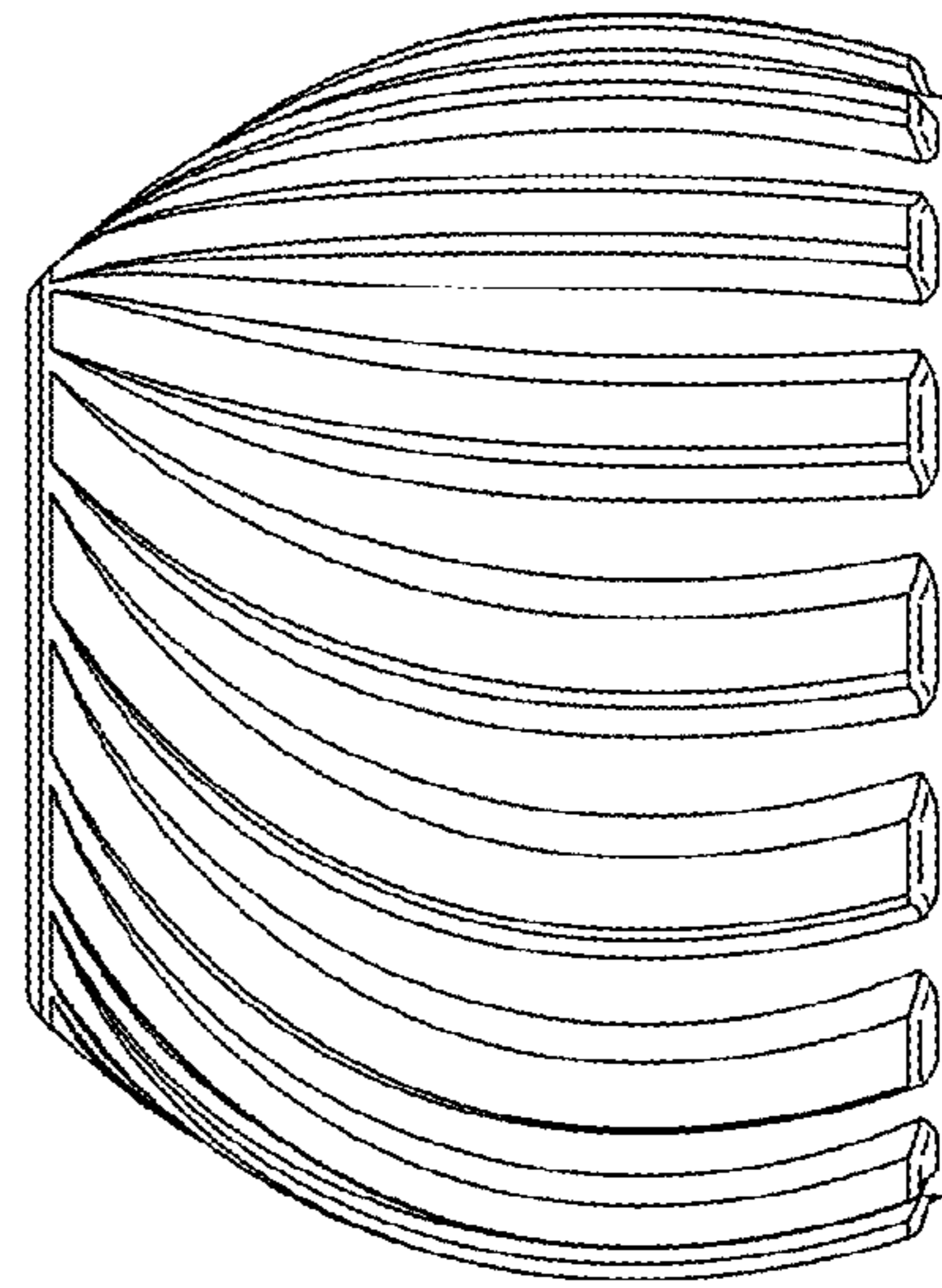


FIG. 12

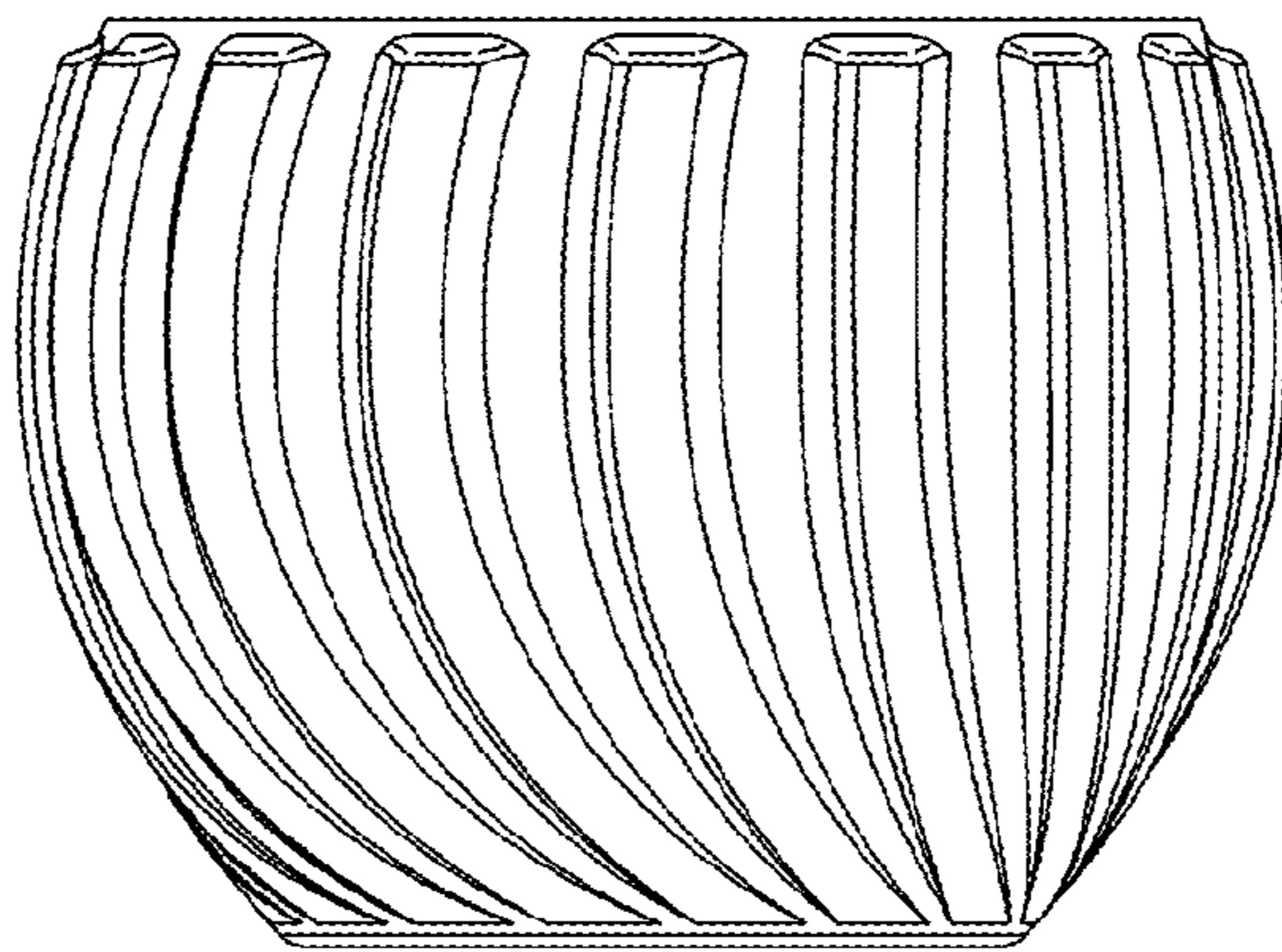


FIG. 13

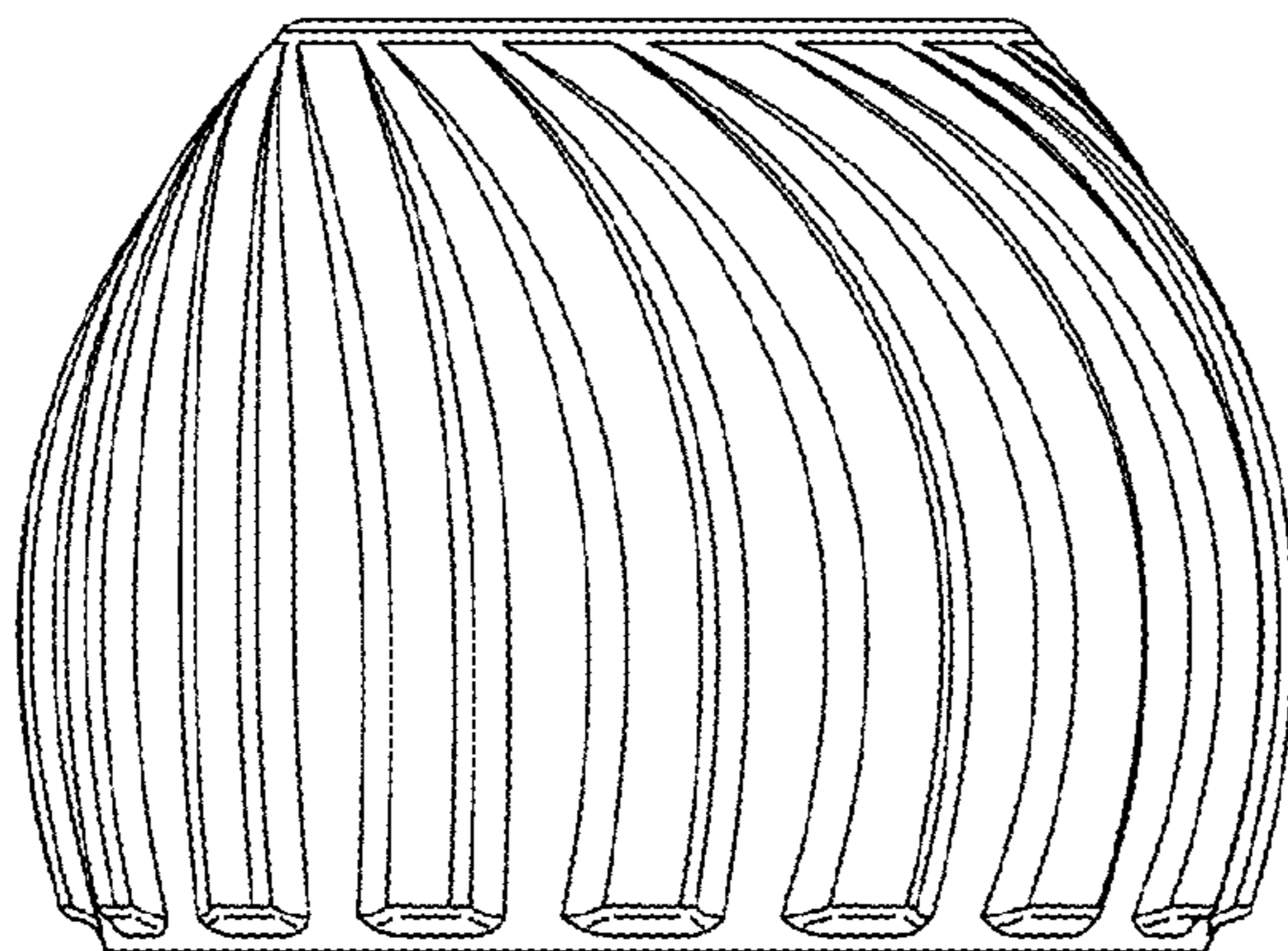


FIG. 14