



US00D756969S

(12) **United States Design Patent**  
**Kim et al.**

(10) **Patent No.:** **US D756,969 S**

(45) **Date of Patent:** **\*\* May 24, 2016**

(54) **REMOTE CONTROL**

(71) Applicant: **LG ELECTRONICS INC.**, Seoul (KR)

(72) Inventors: **Jaeyoung Kim**, Seoul (KR); **Sungjae Chung**, Seoul (KR)

(73) Assignee: **LG ELECTRONICS INC.**, Seoul (KR)

(\*\*) Term: **15 Years**

(21) Appl. No.: **29/528,083**

(22) Filed: **May 26, 2015**

(30) **Foreign Application Priority Data**

Nov. 27, 2014 (KR) ..... 30-2014-0057402

(51) **LOC (10) Cl.** ..... **14-03**

(52) **U.S. Cl.**  
USPC ..... **D14/218**

(58) **Field of Classification Search**  
USPC ..... D14/137, 174, 217-218, 240, 247,  
D14/388-390, 396, 511; D21/516;  
D13/162-164, 168; 715/738; 434/350;  
600/323; 348/211.99, 14.05, 114, 734;  
341/175-176; 455/575.1  
CPC ..... G08C 23/04; G08C 19/12; H04N 5/44;  
H04L 17/02  
See application file for complete search history.

(56) **References Cited**

**U.S. PATENT DOCUMENTS**

D551,215 S \* 9/2007 Lee, Jr. .... D14/218  
D585,876 S \* 2/2009 Griffin ..... D14/218

D614,604 S \* 4/2010 Hoehn ..... D14/218  
D621,371 S \* 8/2010 Sheppard ..... D13/168  
D631,851 S \* 2/2011 Smith ..... D13/168  
D631,857 S \* 2/2011 Hsieh ..... D13/180  
D649,138 S \* 11/2011 Akana ..... D13/168  
D656,488 S \* 3/2012 Nakayama ..... D14/218  
D664,946 S \* 8/2012 Morris ..... D14/218  
D703,186 S \* 4/2014 Zaslavsky ..... D14/218  
D703,190 S \* 4/2014 Zaslavsky ..... D14/218  
D704,167 S \* 5/2014 Akana ..... D14/218  
D705,755 S \* 5/2014 Zaslavsky ..... D14/218  
D725,633 S \* 3/2015 Sung ..... D14/218  
D728,529 S \* 5/2015 Seflic ..... D14/218  
D742,857 S \* 11/2015 Andresen ..... D14/218  
D743,944 S \* 11/2015 Karrman ..... D14/218

\* cited by examiner

*Primary Examiner* — Ralf Seifert

(74) *Attorney, Agent, or Firm* — Birch, Stewart, Kolasch & Birch, LLP

(57) **CLAIM**

The ornamental design for a remote control, as shown and described.

**DESCRIPTION**

FIG. 1 is a perspective view of a remote control showing our new design;  
FIG. 2 is a front view thereof;  
FIG. 3 is a rear view thereof;  
FIG. 4 is a left side view thereof where the right side view is a mirror image;  
FIG. 5 is a top plan view thereof; and,  
FIG. 6 is a bottom plan view thereof.

**1 Claim, 5 Drawing Sheets**

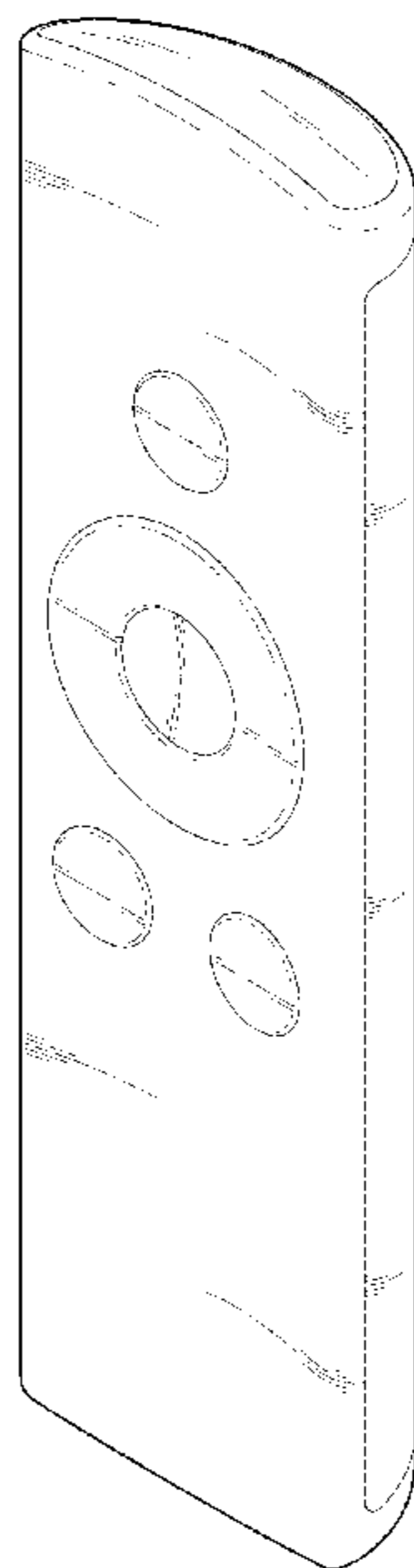


FIG. 1

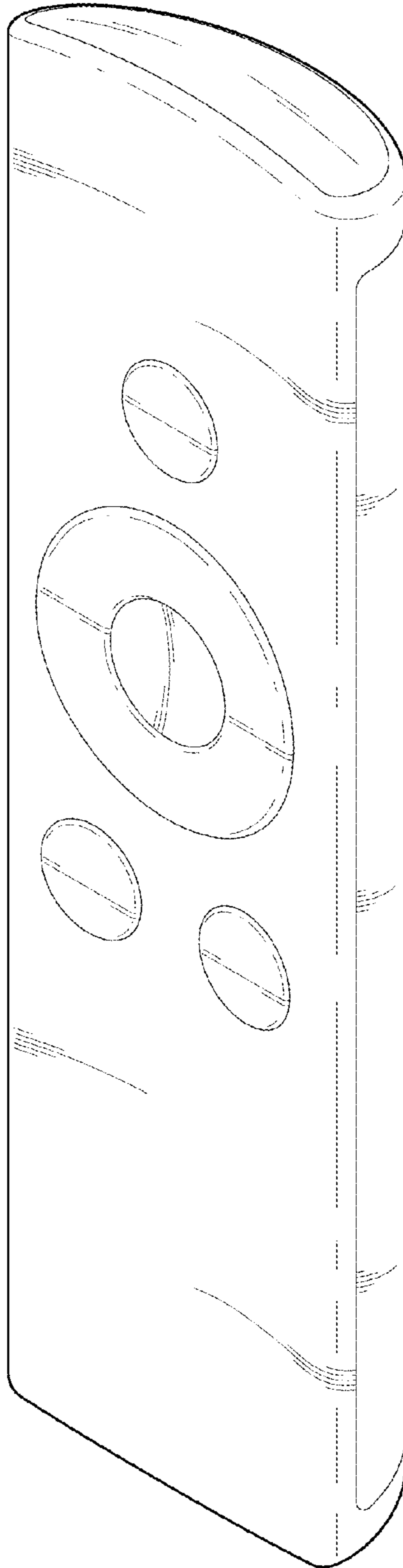


FIG. 2

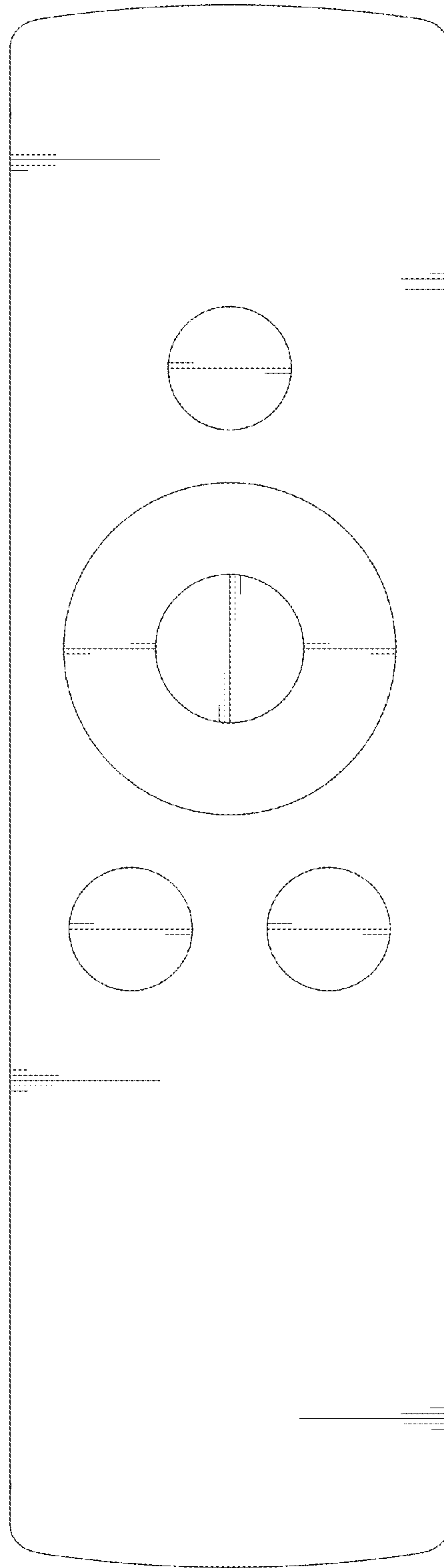


FIG. 3

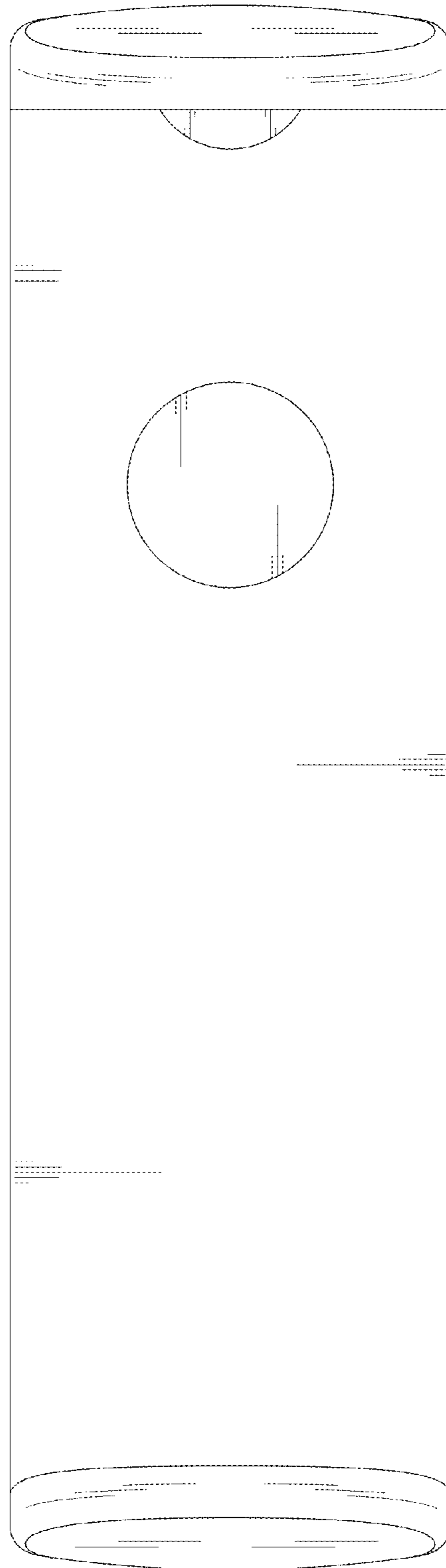


FIG. 4

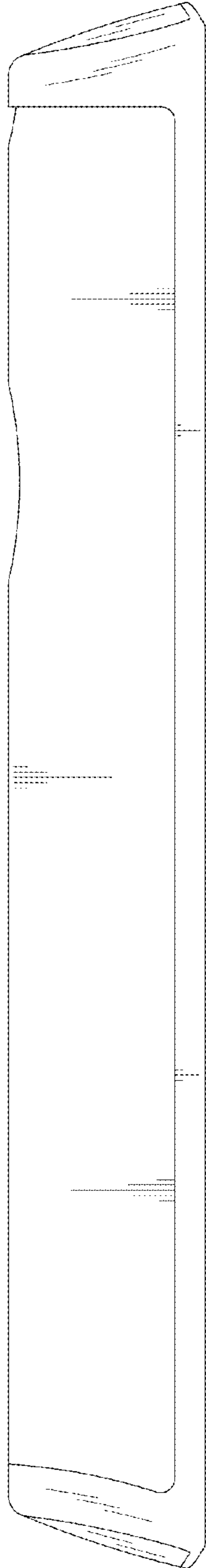


FIG. 5

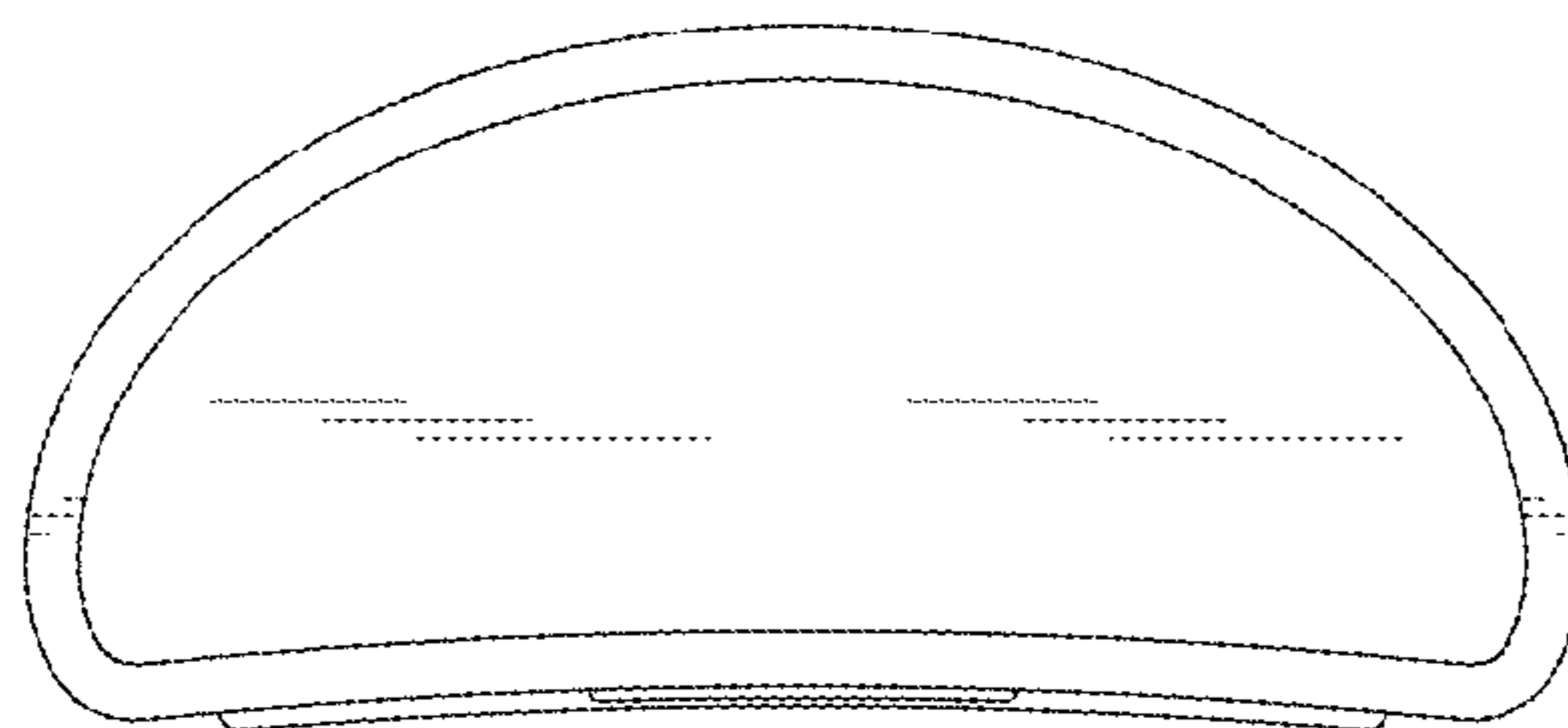


FIG. 6

