



US00D756966S

(12) **United States Design Patent**
Feng

(10) **Patent No.:** **US D756,966 S**

(45) **Date of Patent:** **** May 24, 2016**

(54) **BLUETOOTH SPEAKER**

(71) Applicant: **Shenzhen Great Power Enterprise Co., Ltd.**, Shenzhen, Guangdong (CN)

(72) Inventor: **Qixiang Feng**, Shenzhen (CN)

(73) Assignee: **Shenzhen Great Power Enterprise Co., Ltd.** (CN)

(**) Term: **14 Years**

(21) Appl. No.: **29/516,460**

(22) Filed: **Feb. 2, 2015**

(51) **LOC (10) Cl.** **14-03**

(52) **U.S. Cl.**
USPC **D14/214**

(58) **Field of Classification Search**
USPC D14/168, 170-172, 188, 194-196, 204, D14/207, 210-216, 219, 221, 222, 224, D14/496; 181/143, 144, 147, 148, 150, 153, 181/157, 198, 199; 381/300-303, 306, 332, 381/333, 336, 345, 361-364, 386-388
CPC B60R 11/0217; G06F 1/1688; H04M 1/03; H04M 1/035; H04R 1/02; H04R 1/06; H04R 1/021; H04R 1/025; H04R 1/026; H04R 1/028; H04R 1/105; H04R 1/323; H04R 1/403; H04R 1/2803; H04R 1/2834; H04R 5/02; H04R 7/20; H04R 9/06; H04R 9/025; H04R 2201/021; H04R 2400/00; H04R 2400/07; H04R 2499/11; H04R 2499/13; H04R 2499/15; H04S 3/00; H04S 7/30

See application file for complete search history.

(56) **References Cited**

U.S. PATENT DOCUMENTS

D244,227	S	*	5/1977	Kushida	D14/195
D503,679	S	*	4/2005	Andre	D13/110
D540,300	S	*	4/2007	Amid-Hozour	D14/188
D597,064	S	*	7/2009	Machida	D14/167
D710,328	S	*	8/2014	Kim	D14/212
D718,277	S	*	11/2014	Yamamoto	D14/214
D721,738	S	*	1/2015	Hochman	D14/496
D729,762	S	*	5/2015	Hu	D14/194
D738,854	S	*	9/2015	Babcock	D14/214

* cited by examiner

Primary Examiner — Keli L Hill

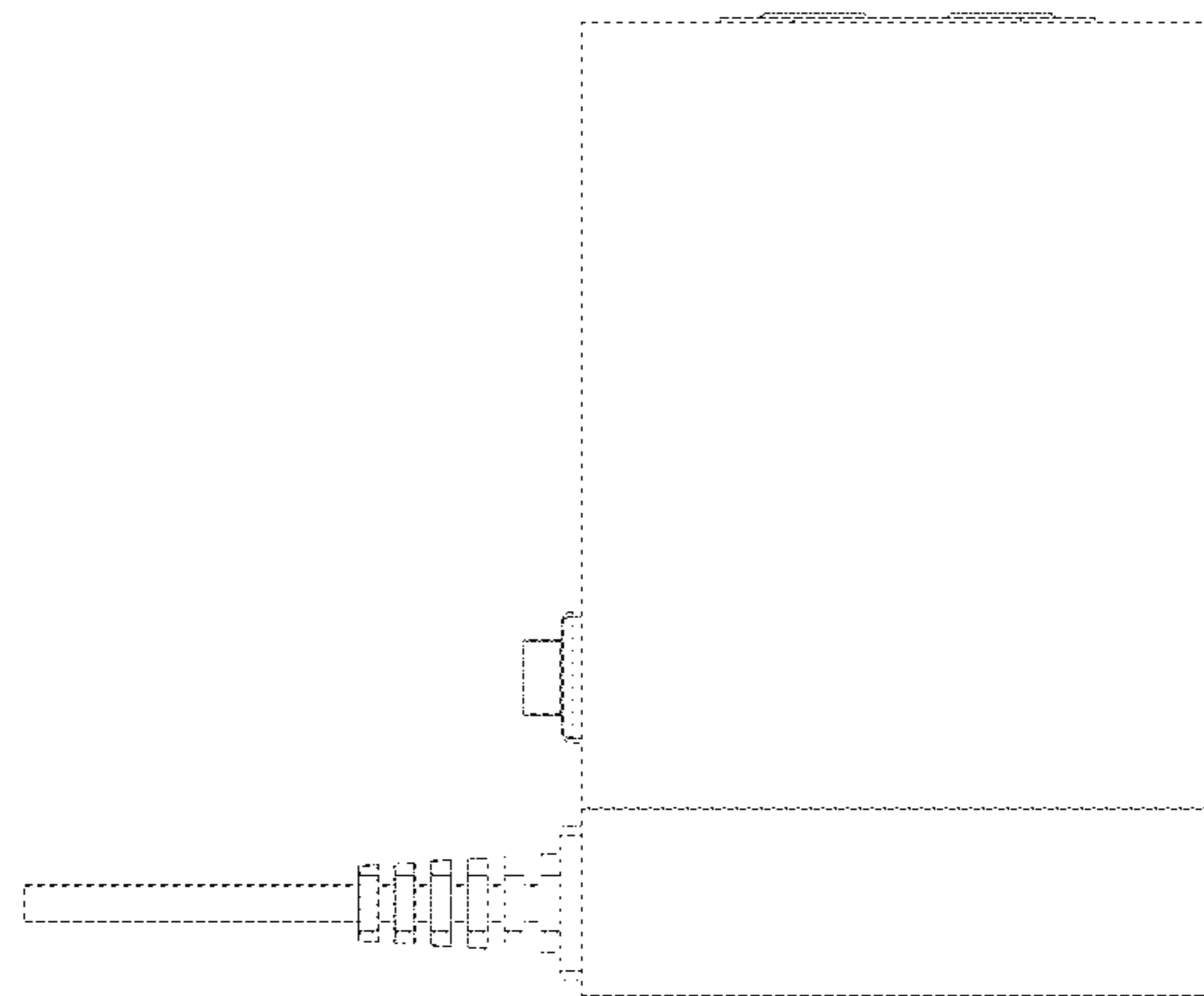
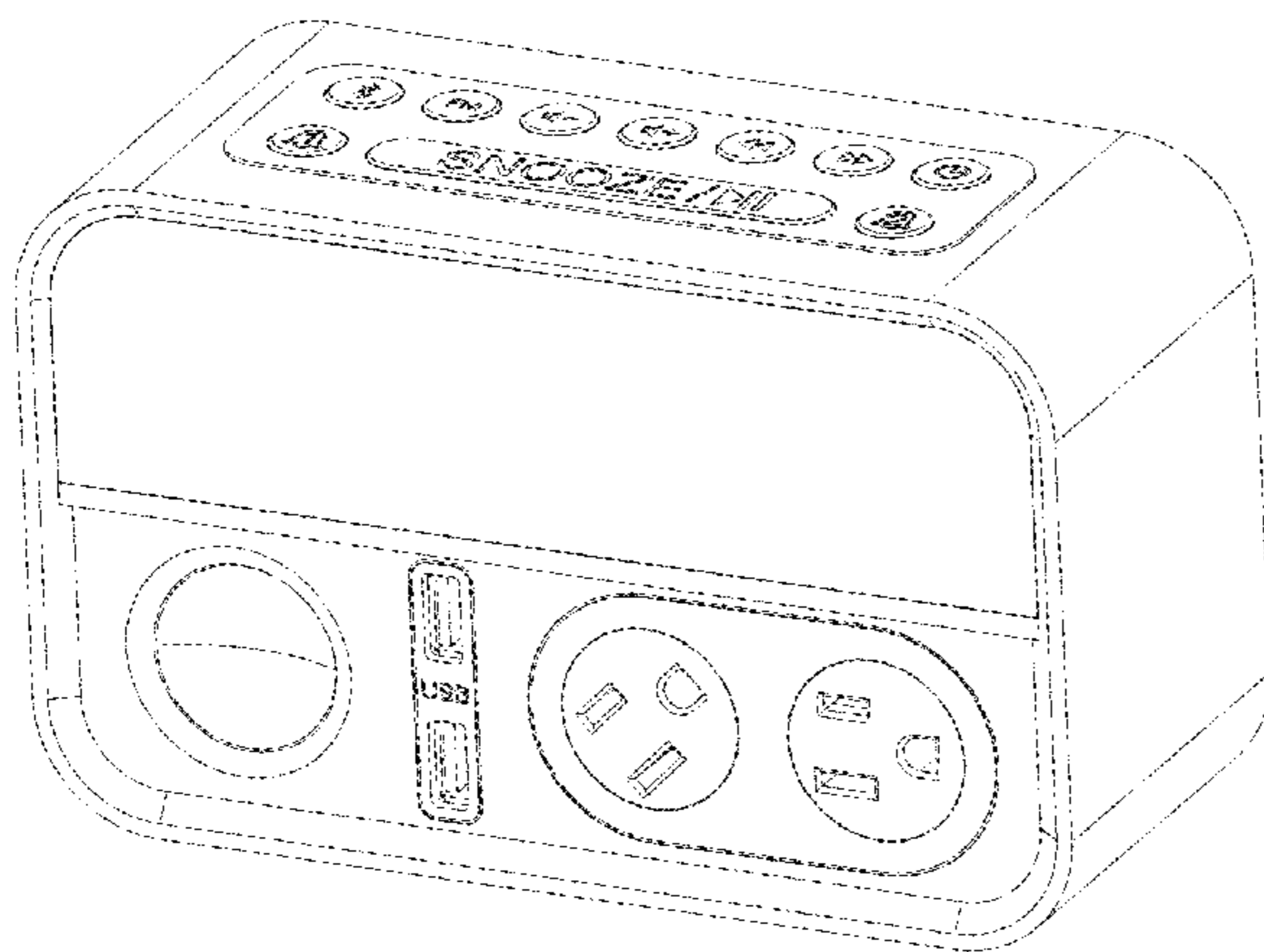
(57) **CLAIM**

The ornamental design for a bluetooth speaker, as shown and described.

DESCRIPTION

FIG. 1 is a perspective view a bluetooth speaker embodying my new design;
FIG. 2 is a front plan view thereof;
FIG. 3 is a back plan view thereof;
FIG. 4 is a left plan view thereof;
FIG. 5 is a right plan view thereof;
FIG. 6 is a top plan view thereof; and,
FIG. 7 is a bottom plan view thereof.
The broken lines shown in FIGS. 1-3 are included for the purpose of illustrating portions of the bluetooth speaker that form no part of the claim.

1 Claim, 7 Drawing Sheets



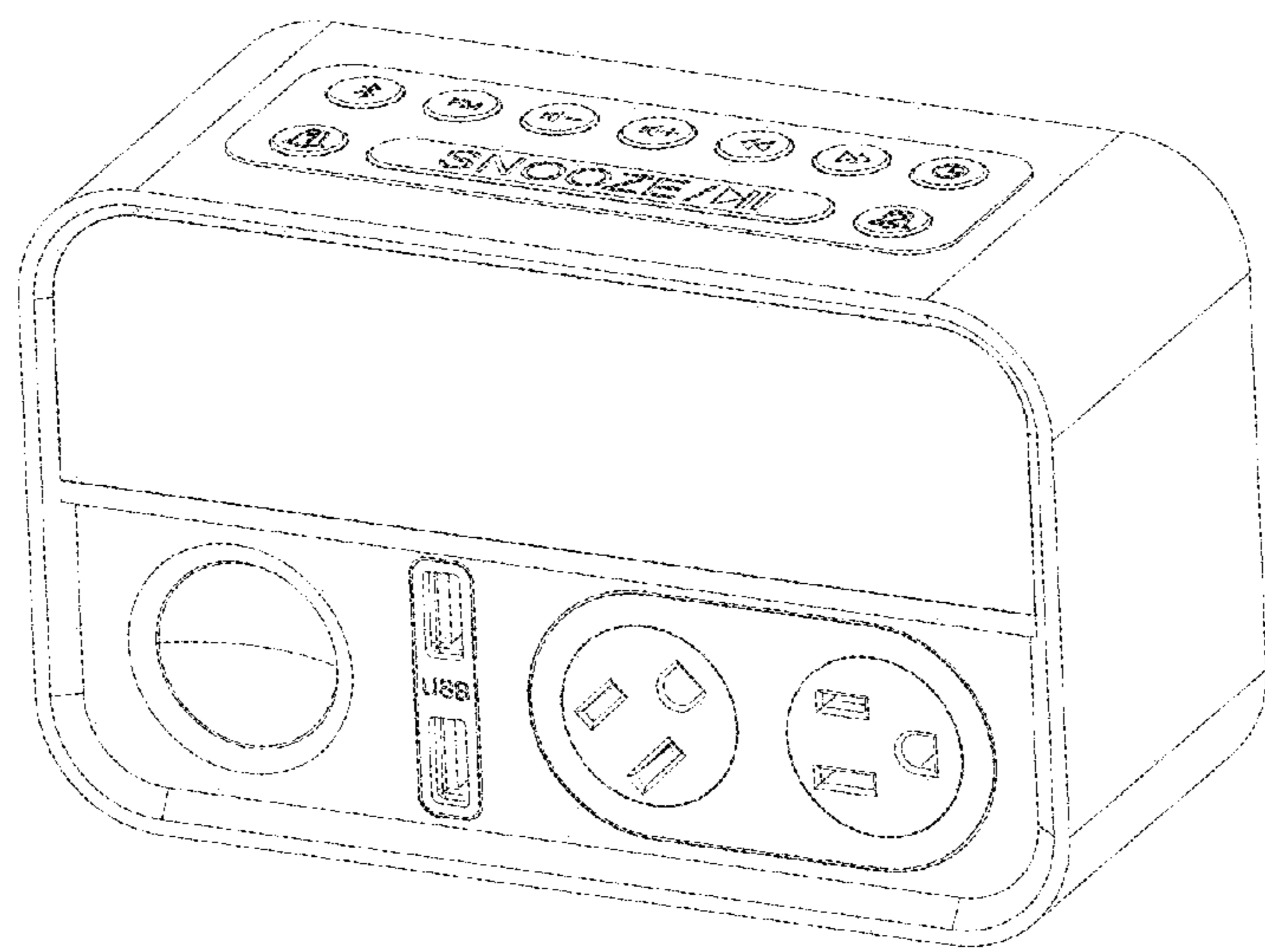


FIG. 1

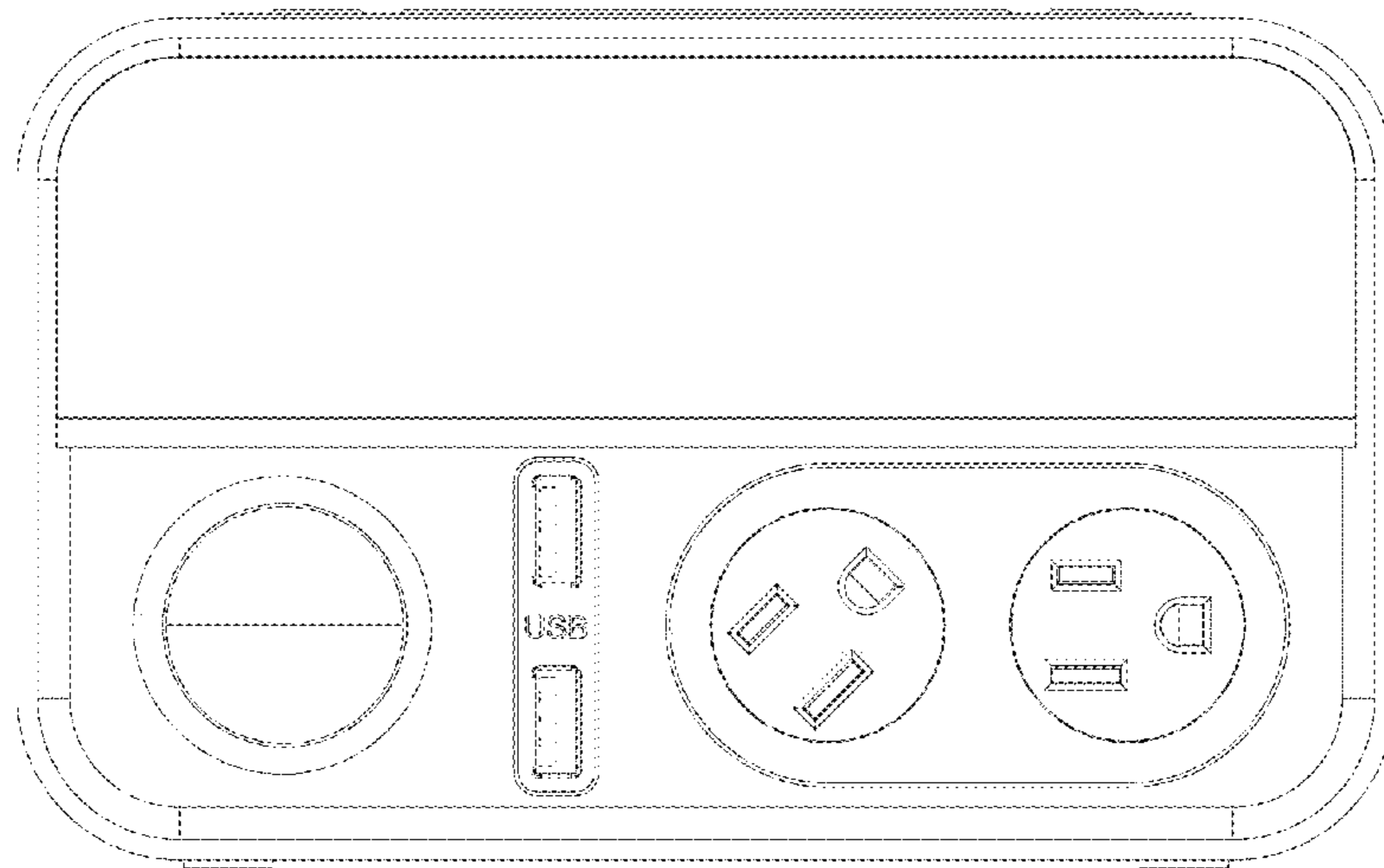


FIG. 2

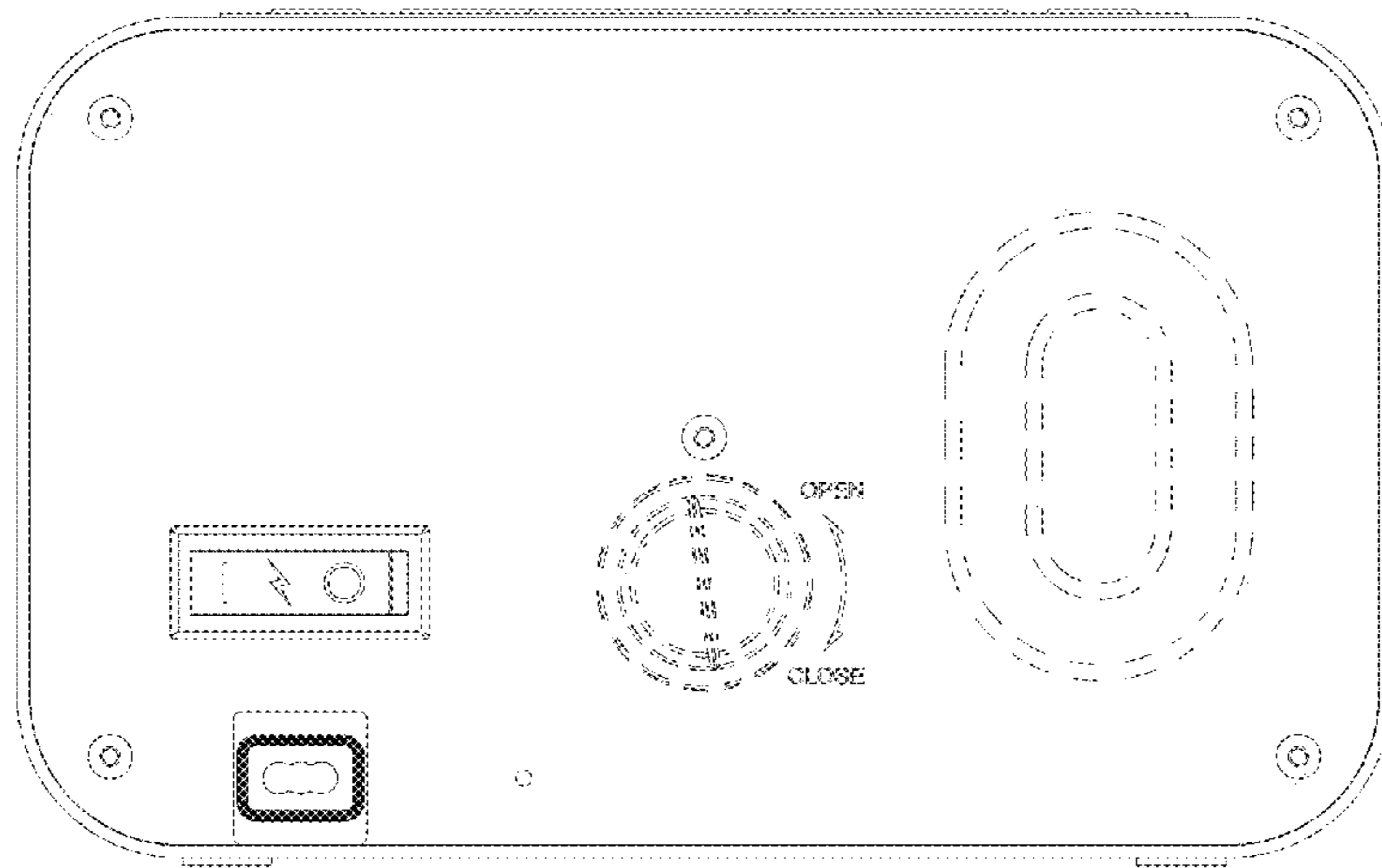


FIG. 3

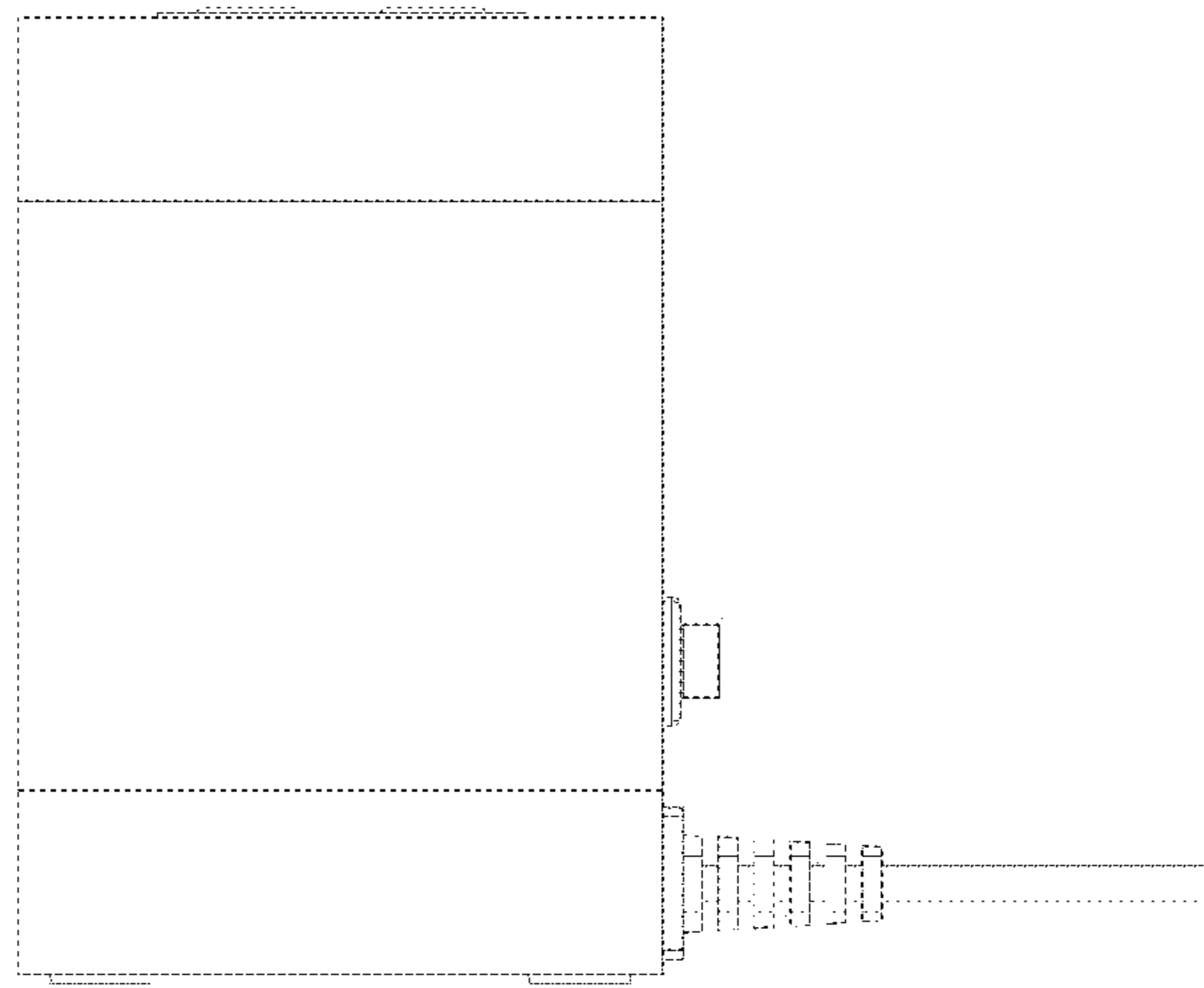


FIG. 4

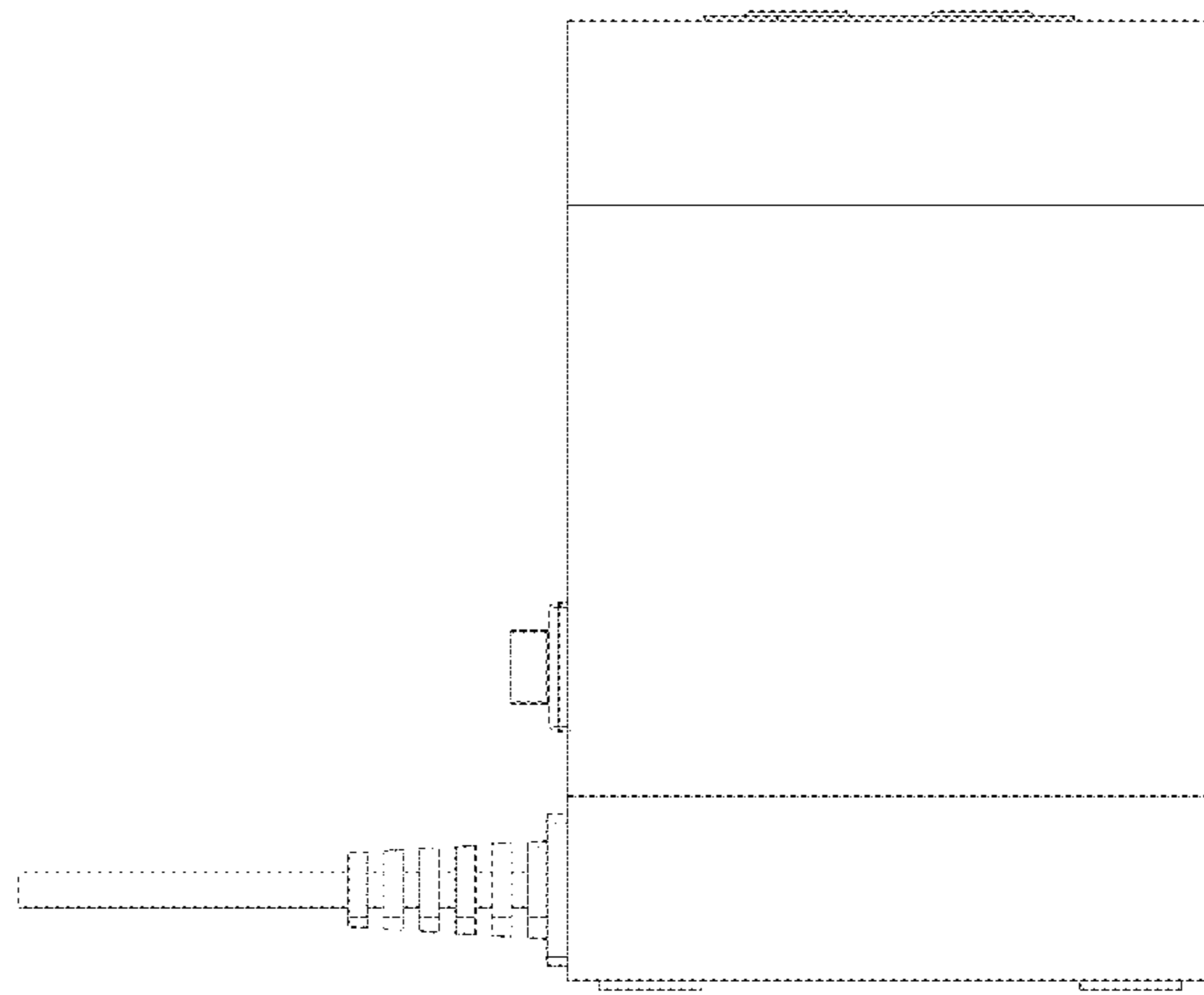


FIG. 5

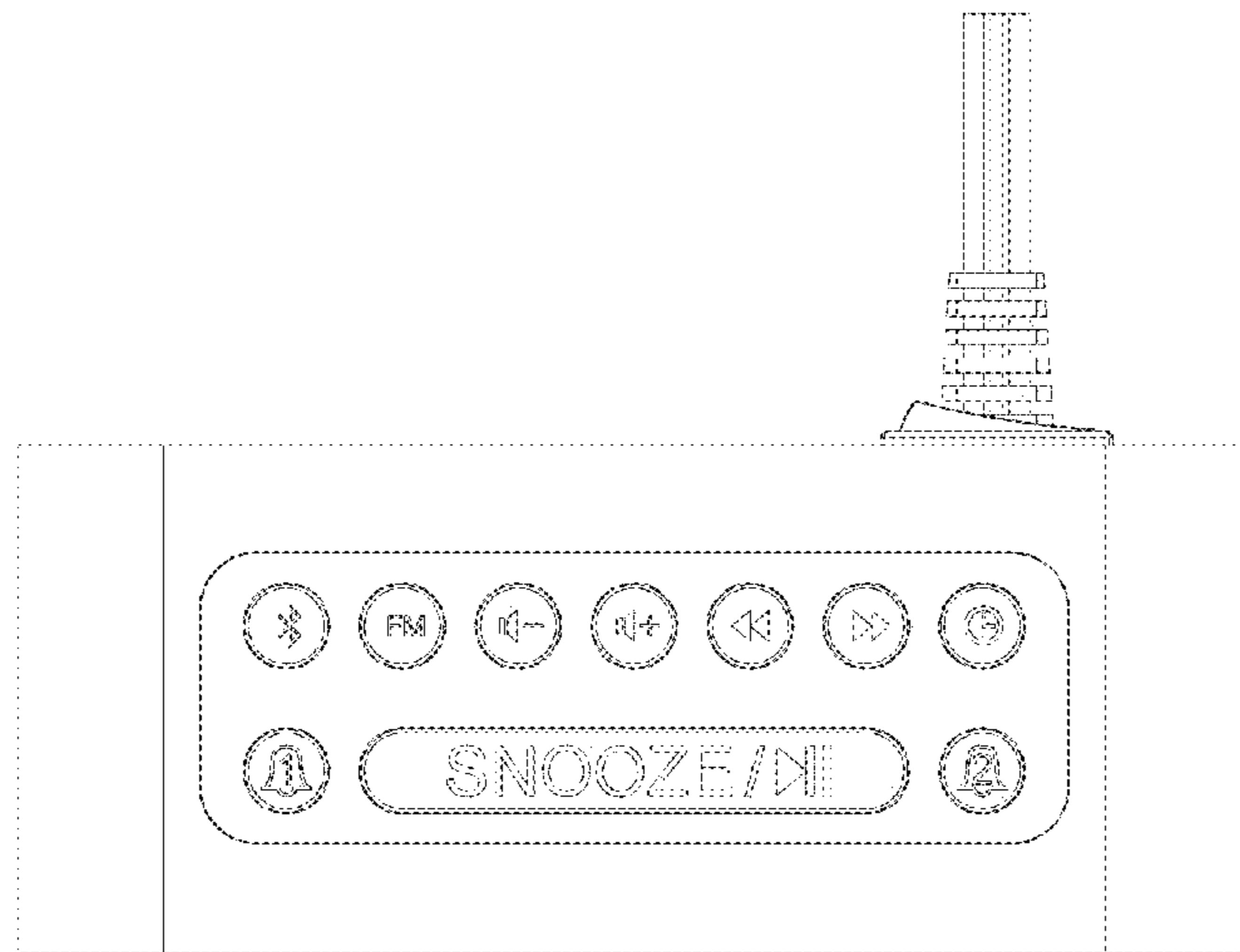


FIG. 6

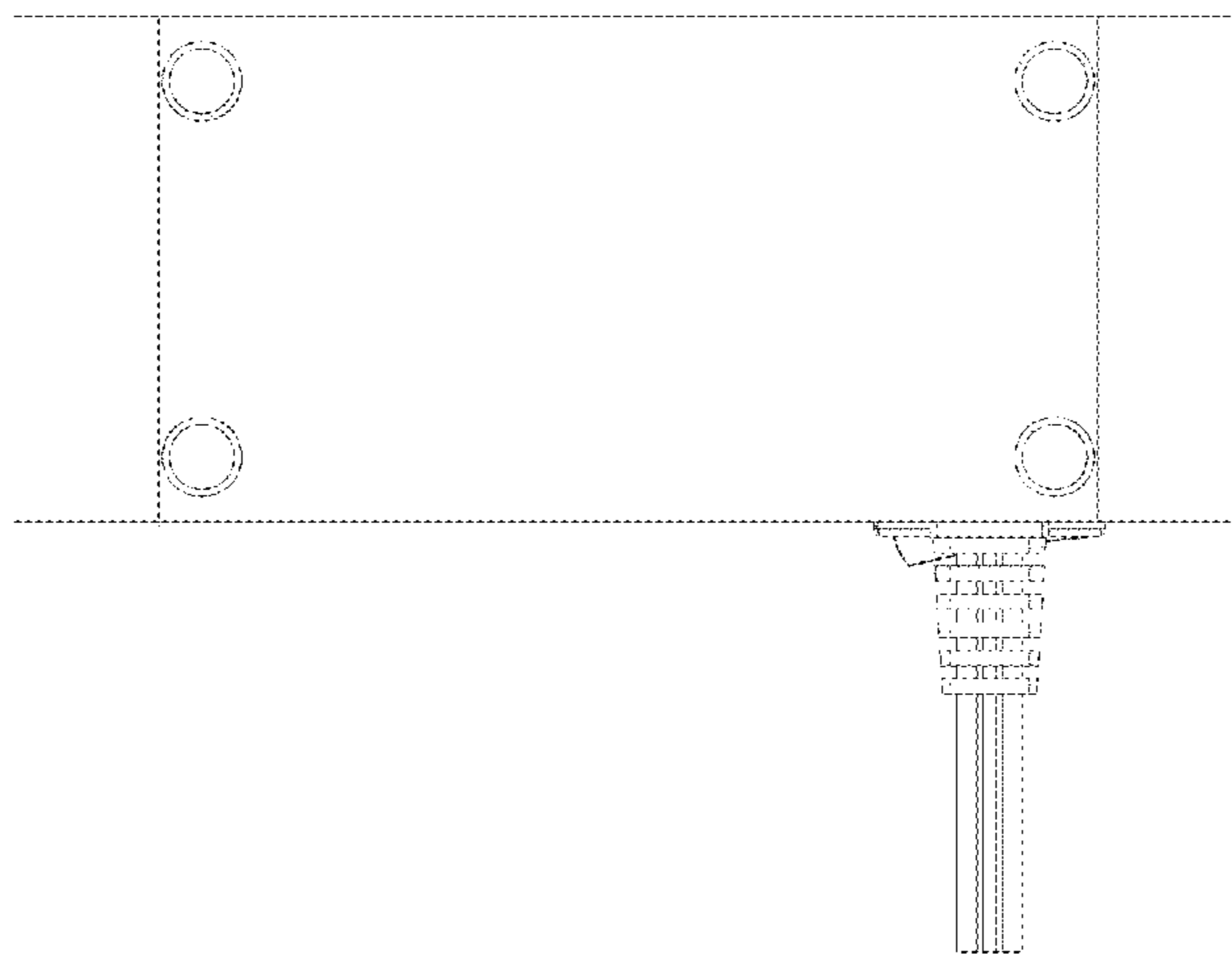


FIG. 7