



US00D756962S

(12) **United States Design Patent**  
**White et al.**

(10) **Patent No.:** **US D756,962 S**  
(45) **Date of Patent:** **\*\* May 24, 2016**

(54) **SPEAKER SOUND BAR WITH BOLT ON MOUNTS**  
(71) Applicants: **Timothy John White**, Round Rock, TX (US); **Brett A. Triola**, Houston, TX (US)  
(72) Inventors: **Timothy John White**, Round Rock, TX (US); **Brett A. Triola**, Houston, TX (US)  
(\*\*) Term: **14 Years**

D494,565 S \* 8/2004 Yao ..... D14/215  
D496,923 S \* 10/2004 Allen ..... D14/211  
D501,841 S \* 2/2005 Hsu ..... D14/171  
D629,139 S \* 12/2010 Cai ..... D26/72  
D638,823 S \* 5/2011 Schindler ..... D14/214  
D641,340 S \* 7/2011 Huh ..... D14/214  
D654,907 S \* 2/2012 McManigal ..... D14/214  
D655,274 S \* 3/2012 McManigal .....  
D658,159 S \* 4/2012 Janky et al. .... D14/214  
D658,160 S \* 4/2012 Janky et al. .... D14/214  
D659,677 S \* 5/2012 Kim et al. .... D14/214

(Continued)

(21) Appl. No.: **29/445,640**  
(22) Filed: **Feb. 14, 2013**  
(51) **LOC (10) Cl.** ..... **14-03**  
(52) **U.S. Cl.**  
USPC ..... **D14/214**; D14/215  
(58) **Field of Classification Search**  
USPC ..... D14/167, 168, 170-172, 188, 194-196, D14/204, 207, 209.1, 210-216, 219, 221, D14/222, 224, 496; 181/143, 144, 147, 148, 181/150, 153, 157, 198, 199; 381/300-303, 381/306, 332, 333, 336, 345, 361-364, 381/386-388; 369/6-12  
CPC .... B60R 11/0217; G06F 1/1688; H04M 1/03; H04M 1/035; H04R 1/02; H04R 1/06; H04R 1/021; H04R 1/025; H04R 1/026; H04R 1/028; H04R 1/105; H04R 1/323; H04R 1/403; H04R 1/2803; H04R 1/2834; H04R 5/02; H04R 7/20; H04R 9/06; H04R 9/025; H04R 2201/021; H04R 2400/00; H04R 2400/07; H04R 2499/11; H04R 2499/13; H04R 2499/15; H04S 3/00; H04S 7/30  
See application file for complete search history.

**OTHER PUBLICATIONS**

Office Action mailed Feb. 12, 2015 for U.S. Appl. No. 29/445,651.  
(Continued)

*Primary Examiner* — Keli L Hill  
(74) *Attorney, Agent, or Firm* — Egan, Peterman, Enders & Huston LLP.

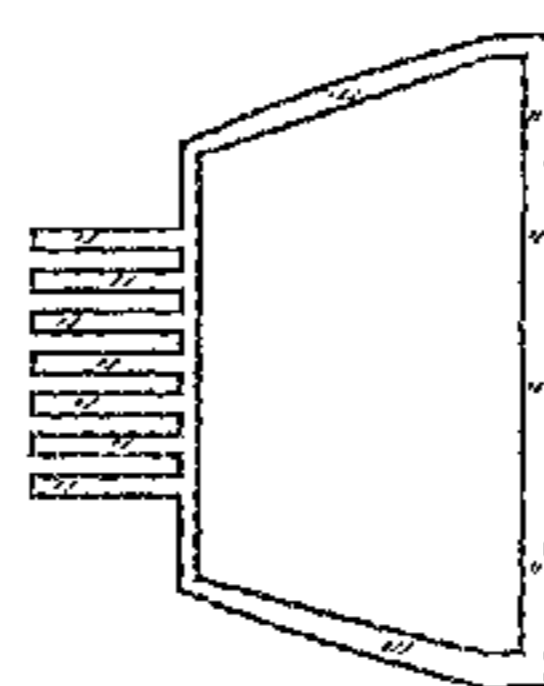
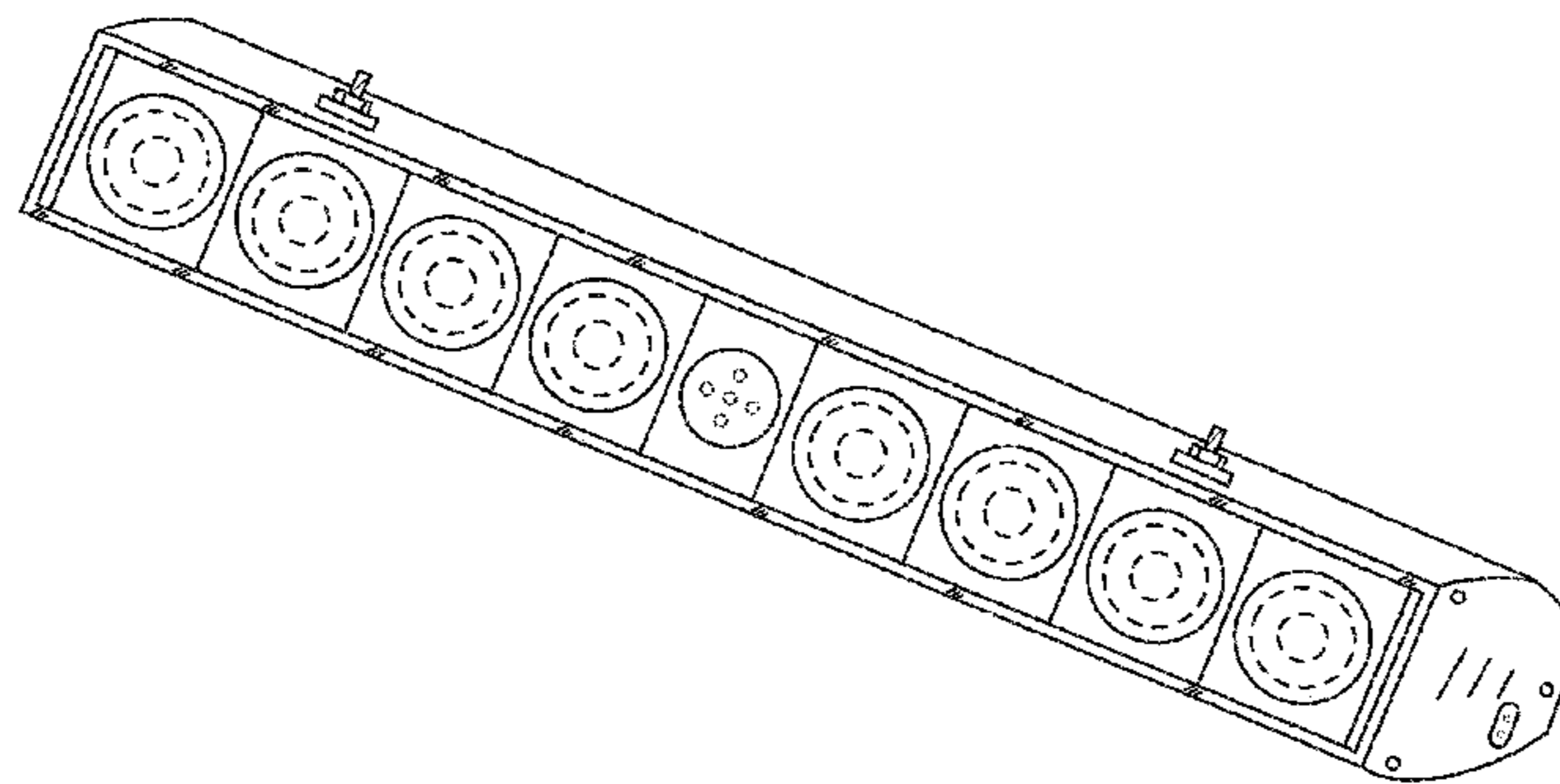
(57) **CLAIM**  
The speaker sound bar with bolt on mounts, as shown and described.

**DESCRIPTION**

FIG. 1 is a front and right side perspective view of a speaker sound bar with bolt on mounts embodying our new design; FIG. 2 is a front elevation view thereof; FIG. 3 is a rear elevation view thereof; FIG. 4 is a cross-sectional view thereof taken between axes A-A and B-B of FIG. 3; FIG. 5 is a left-side elevation view thereof; FIG. 6 is a right-side elevation view thereof; FIG. 7 is a top plan view thereof; and, FIG. 8 is a bottom plan view thereof. The broken lines shown are included for the purpose of illustrating portions of the speaker sound bar with bolt on mounts that form no part of the claim.

**1 Claim, 3 Drawing Sheets**

(56) **References Cited**  
U.S. PATENT DOCUMENTS  
D468,727 S \* 1/2003 Manneschi ..... D14/222  
D476,644 S \* 7/2003 Manneschi ..... D14/222  
D480,069 S \* 9/2003 Carbone et al. .... D14/216



(56)

**References Cited**

U.S. PATENT DOCUMENTS

D685,349 S *	7/2013	Ohno et al.	.....	D14/221
D697,247 S *	1/2014	Mollaghaffari	.....	D26/76
D699,385 S *	2/2014	Guzzini	.....	D26/74
D706,748 S *	6/2014	Hara	.....	D14/214
D714,763 S *	10/2014	Woo et al.	.....	D14/221
D717,477 S *	11/2014	Nakamura et al.	.....	D26/3
D720,723 S *	1/2015	Cho	.....	D14/215
D721,059 S *	1/2015	Lehnert	.....	D14/215

OTHER PUBLICATIONS

Office Action mailed Feb. 13, 2015 for U.S. Appl. No. 29/445,652.

Office Action mailed Feb. 24, 2015 for U.S. Appl. No. 29/445,656.

White, "Speaker Sounds Bar With LED Display", U.S. Appl. No. 29/445,639, filed Feb. 14, 2013; Office Action mailed Oct. 20, 2015; 10 pgs.

White, "Speaker Sounds Bar With Side Mounts", U.S. Appl. No. 29/445,651, filed Feb. 14, 2013; Office Action mailed Oct. 20, 2015; 10 pgs.

White, "Speaker Sounds Bar With Track Mounts", U.S. Appl. No. 29/445,652, filed Feb. 14, 2013; Office Action mailed Oct. 20, 2015; 10 pgs.

White, "Speaker Sounds Bar With Multiple Mount Options", U.S. Appl. No. 29/445,656, filed Feb. 14, 2013; Office Action mailed Oct. 21, 2015; 10 pgs.

White, "Speaker Sound Bar", U.S. Appl. No. 29/445,659, filed Feb. 14, 2013; Office Action mailed Oct. 21, 2015; 11 pgs.

White, "Speaker Sounds Bar With Track Mounts", U.S. Appl. No. 29/445,652, filed Feb. 14, 2013; Notice of Allowance mailed Jan. 15, 2016; 8 pgs.

\* cited by examiner

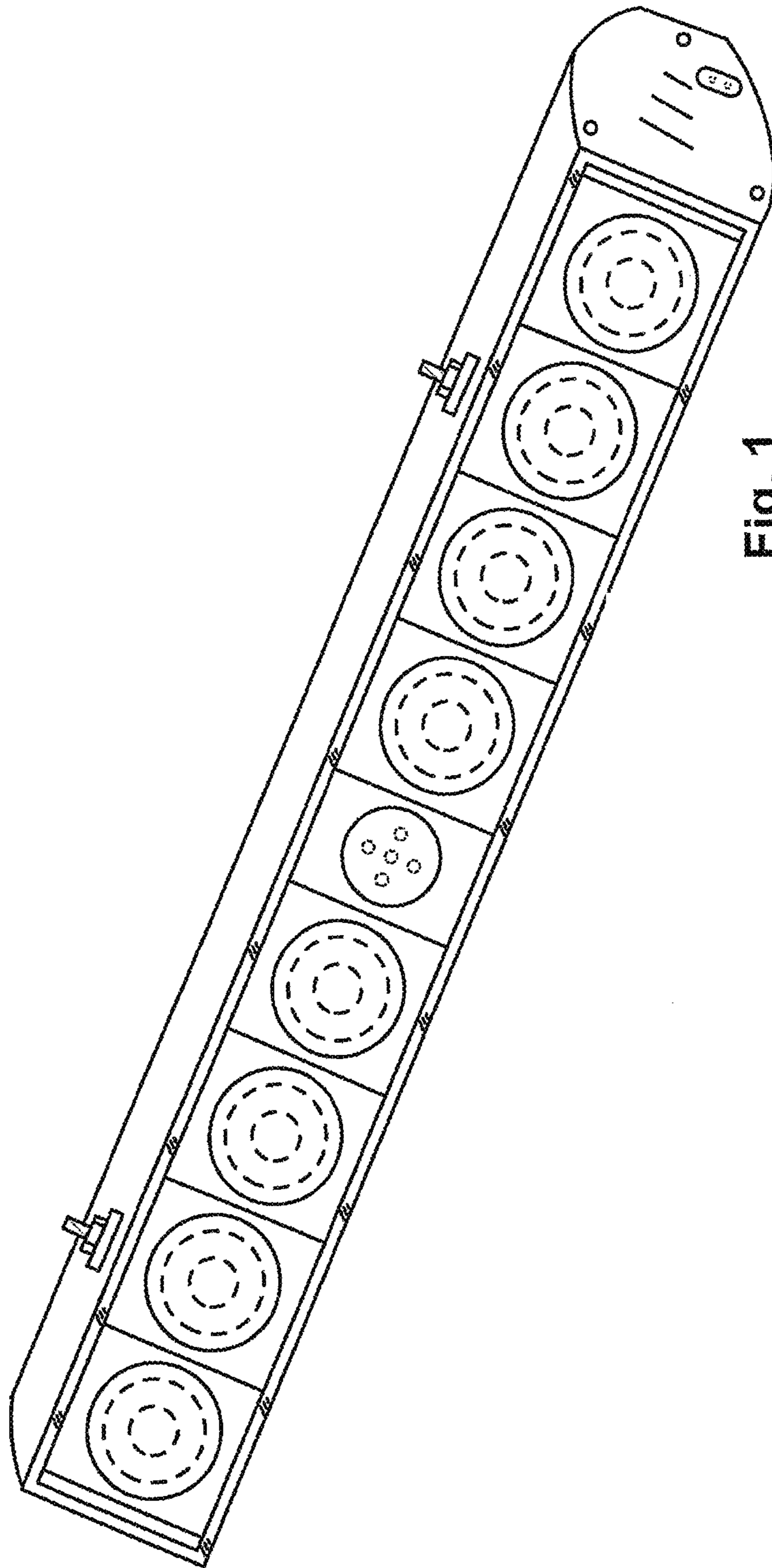


Fig. 1

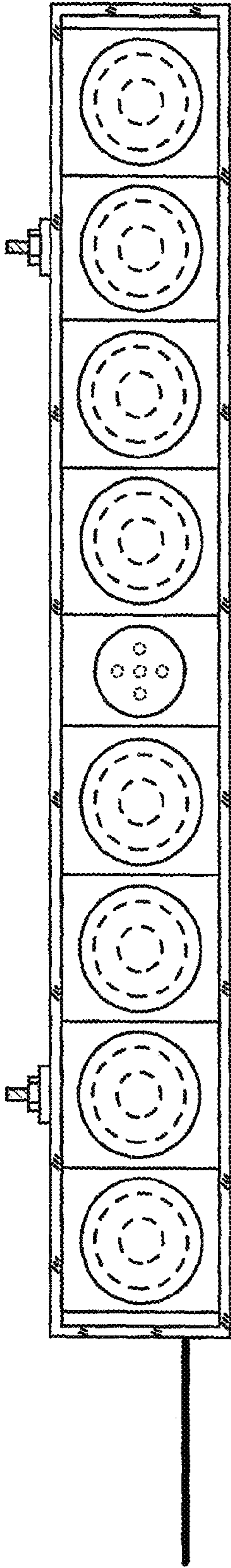


Fig. 2

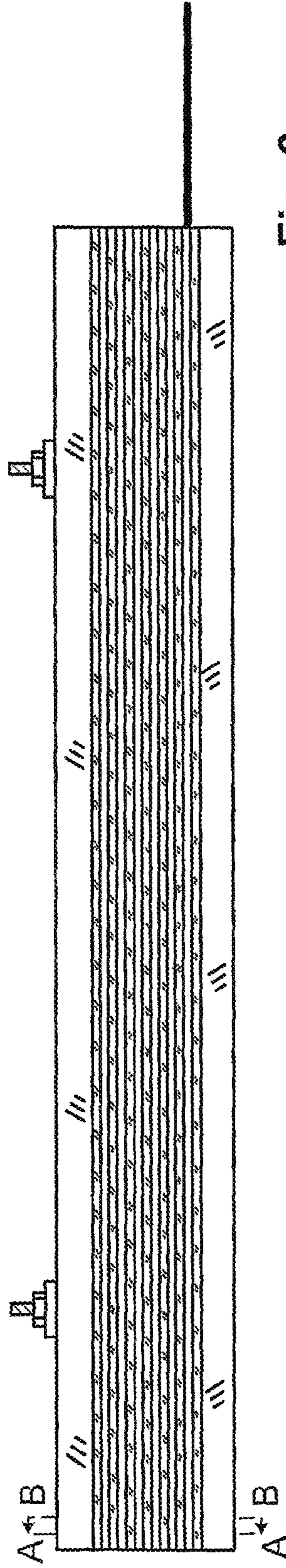


Fig. 3

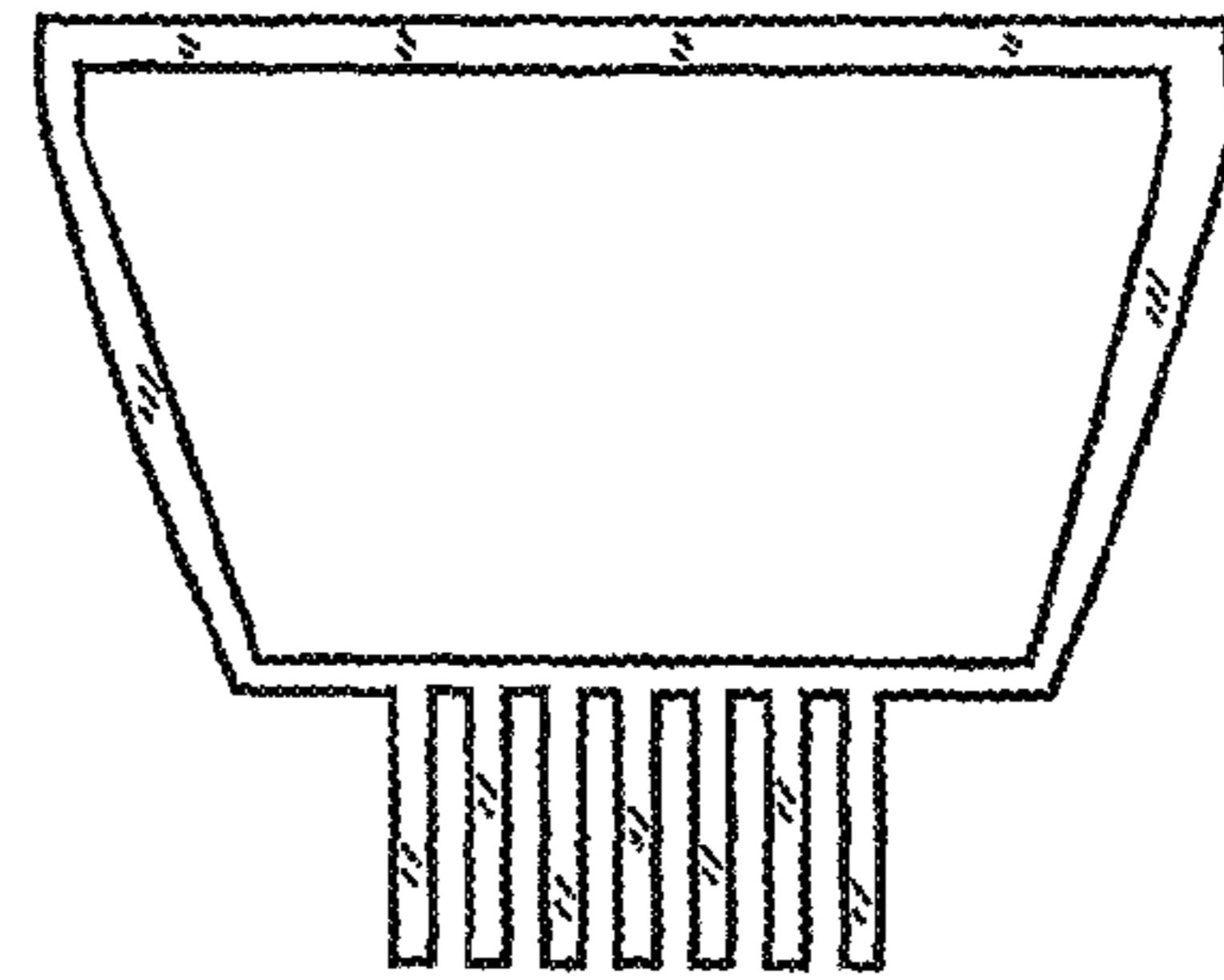


Fig. 4

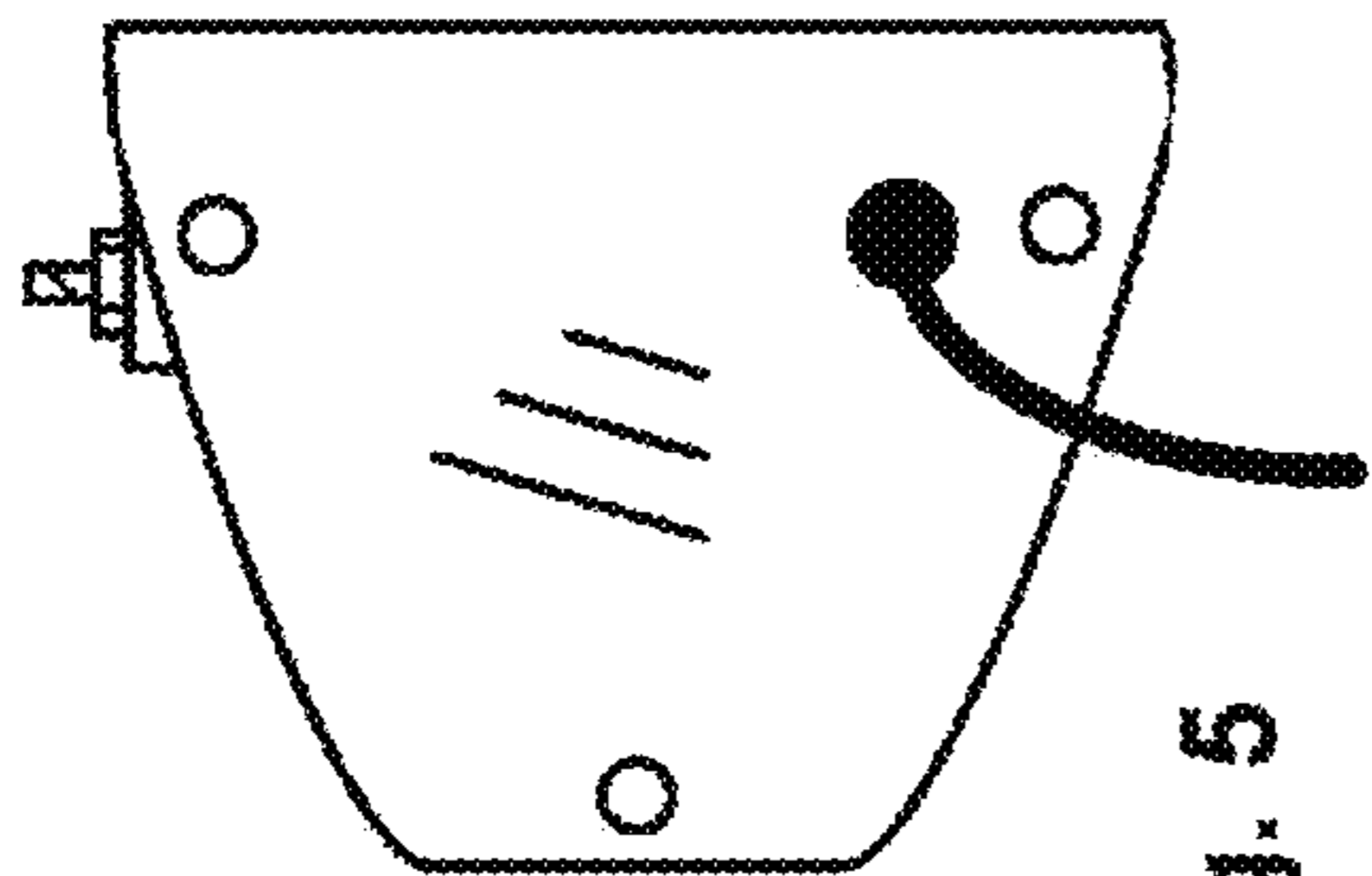


Fig. 5

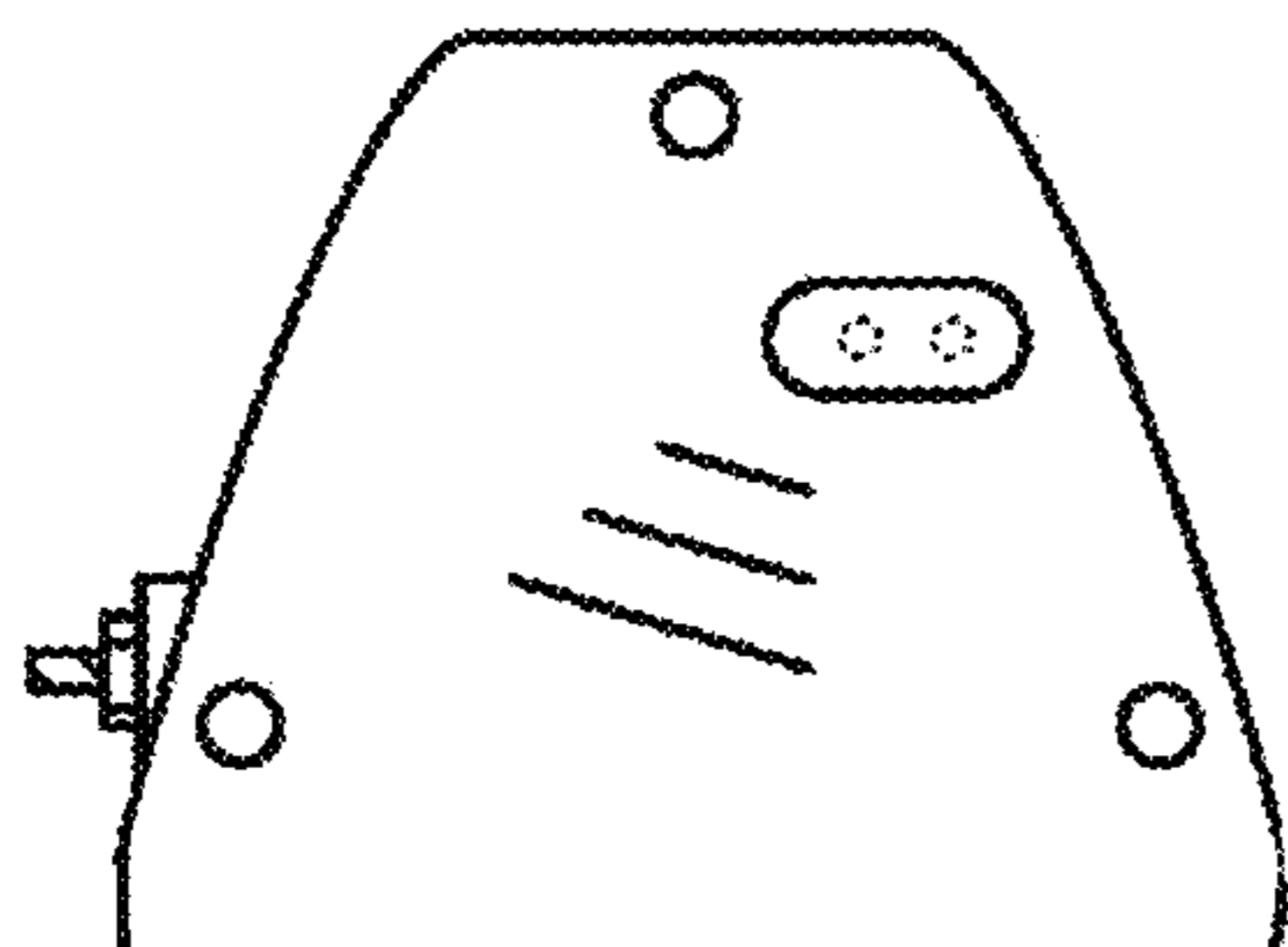


Fig. 6

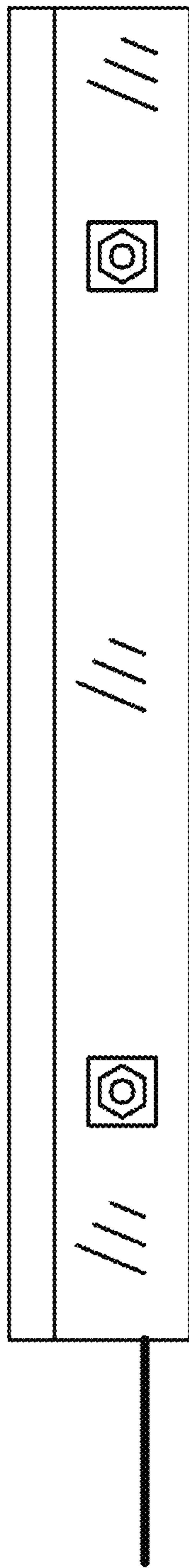


Fig. 7

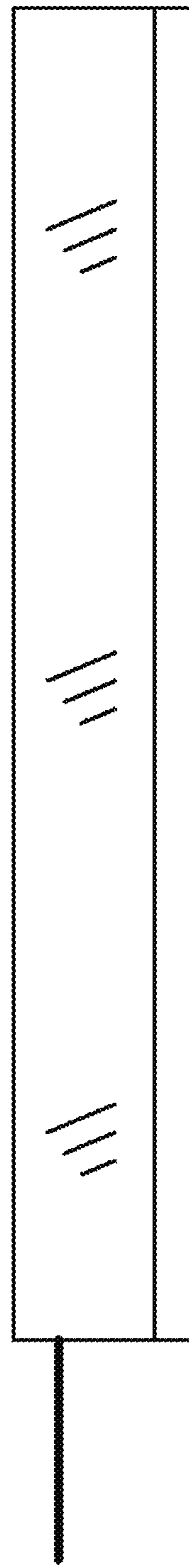


Fig. 8