



US00D756961S

(12) **United States Design Patent**
White et al.

(10) **Patent No.:** **US D756,961 S**
(45) **Date of Patent:** **** May 24, 2016**

(54) **SPEAKER SOUND BAR WITH AN LED DISPLAY**

(71) Applicants: **Timothy John White**, Round Rock, TX (US); **Brett A. Triola**, Houston, TX (US)

(72) Inventors: **Timothy John White**, Round Rock, TX (US); **Brett A. Triola**, Houston, TX (US)

(**) Term: **14 Years**

(21) Appl. No.: **29/445,639**

(22) Filed: **Feb. 14, 2013**

(51) **LOC (10) Cl.** **14-03**

(52) **U.S. Cl.**
USPC **D14/214; D14/215**

(58) **Field of Classification Search**
USPC D14/167, 168, 170–172, 188, 194–196, D14/204, 207, 209.1, 210–216, 219, 221, D14/222, 224, 496; 181/143, 144, 147, 148, 181/150, 153, 157, 198, 199; 381/300–303, 381/306, 332, 333, 336, 345, 361–364, 381/386–388; 369/6–12
CPC B60R 11/0217; G06F 1/1688; H04M 1/03; H04M 1/035; H04R 1/02; H04R 1/06; H04R 1/021; H04R 1/025; H04R 1/026; H04R 1/028; H04R 1/105; H04R 1/323; H04R 1/403; H04R 1/2803; H04R 1/2834; H04R 5/02; H04R 7/20; H04R 9/06; H04R 9/025; H04R 2201/021; H04R 2400/00; H04R 2400/07; H04R 2499/11; H04R 2499/13; H04R 2499/15; H04S 3/00; H04S 7/30
See application file for complete search history.

(56) **References Cited**

U.S. PATENT DOCUMENTS

D468,727 S * 1/2003 Manneschi D14/222
D476,644 S * 7/2003 Manneschi D14/222
D480,069 S * 9/2003 Carbone et al. D14/216

D494,565 S * 8/2004 Yao D14/215
D496,923 S * 10/2004 Allen D14/211
D501,841 S * 2/2005 Hsu D14/171
D629,139 S * 12/2010 Cai et al. D26/72
D638,823 S * 5/2011 Schindler D14/214
D641,340 S * 7/2011 Huh D14/214
D654,907 S * 2/2012 McManigal D14/214
D655,274 S * 3/2012 McManigal
D658,159 S * 4/2012 Janky et al. D14/214
D658,160 S * 4/2012 Janky et al. D14/214
D659,677 S * 5/2012 Kim et al. D14/214

(Continued)

OTHER PUBLICATIONS

Office Action mailed Feb. 24, 2015 for U.S. Appl. No. 29/445,656.
(Continued)

Primary Examiner — Keli L Hill

(74) *Attorney, Agent, or Firm* — Egan, Peterman, Enders & Huston LLP.

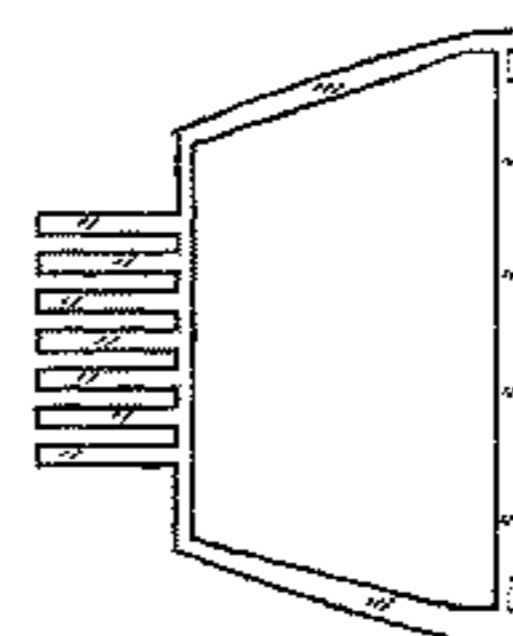
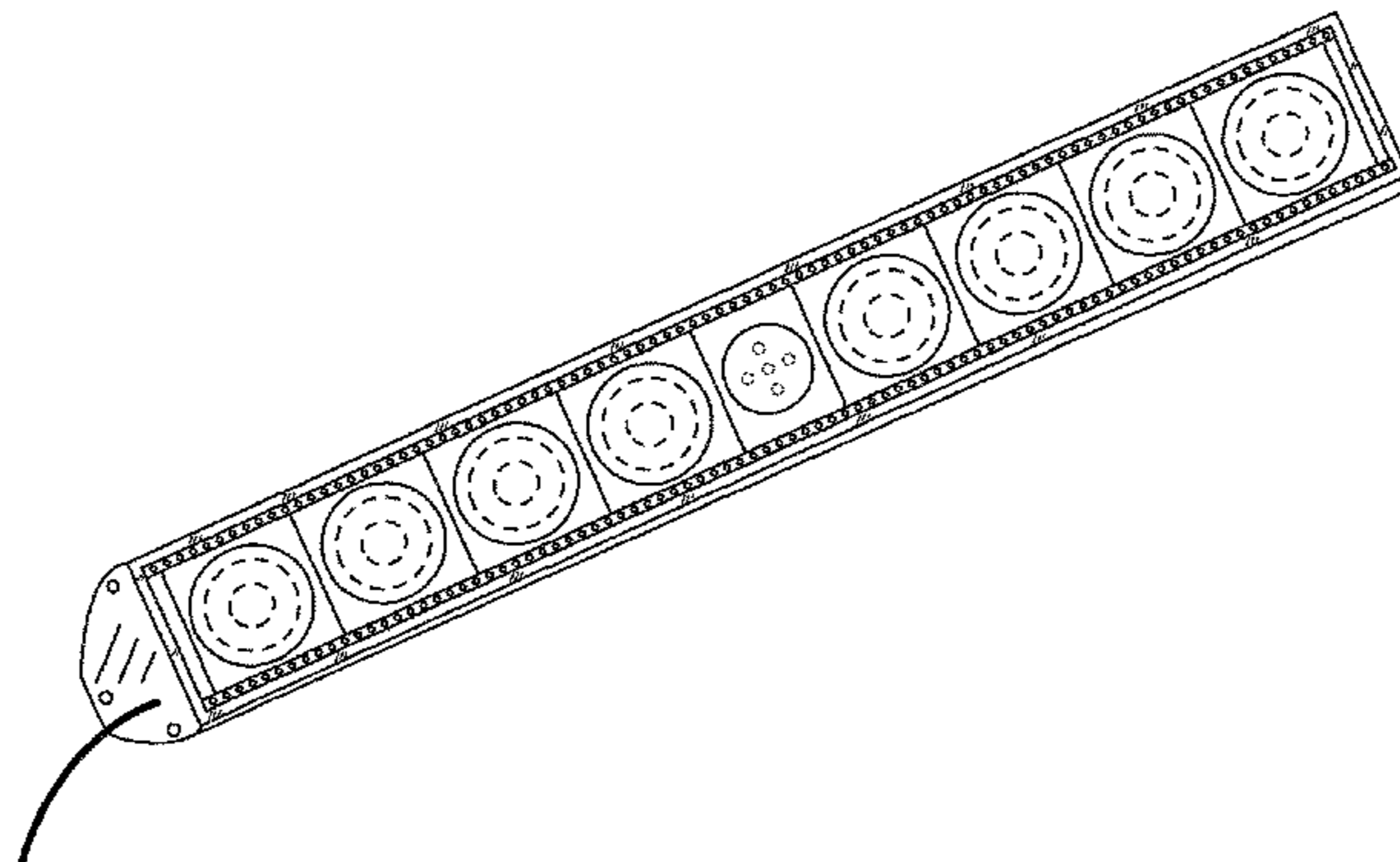
(57) **CLAIM**

The ornamental design for a speaker sound bar with an LED display, as shown and described.

DESCRIPTION

FIG. 1 is a front and left side perspective view of a speaker sound bar with an LED display, embodying our new design; FIG. 2 is a front elevation view thereof; FIG. 3 is a rear elevation view thereof; FIG. 4 is a cross-sectional view thereof taken between axes A-A and B-B of FIG. 3; FIG. 5 is a left side elevation view thereof; FIG. 6 is a right side elevation view thereof; FIG. 7 is a top plan view thereof; and, FIG. 8 is a bottom plan view thereof. The broken lines shown are included for the purpose of illustrating portions of the speaker sound bar with an LED display that form no part of the claimed design.

1 Claim, 3 Drawing Sheets



(56)

References Cited

U.S. PATENT DOCUMENTS

D685,349 S *	7/2013	Ohno et al.	D14/221
D689,234 S *	9/2013	Zhang et al.	D26/72
D697,247 S *	1/2014	Mollaghaffari	D26/76
D699,385 S *	2/2014	Guzzini	D26/74
D706,748 S *	6/2014	Hara	D14/214
D714,763 S *	10/2014	Woo et al.	D14/221
D717,477 S *	11/2014	Nakamura et al.	D26/3
D719,284 S *	12/2014	Mizushiro et al.	D26/3
D720,723 S *	1/2015	Cho	D14/215
D721,059 S *	1/2015	Lehnert	D14/215

OTHER PUBLICATIONS

Office Action mailed Feb. 13, 2015 for U.S. Appl. No. 29/445,659.
White, "Speaker Sounds Bar With Bolt On Mounts", U.S. Appl. No.

29/445,640, filed Feb. 14, 2013; Office Action mailed Oct. 20, 2015; 10 pgs.
White, "Speaker Sounds Bar With Side Mounts", U.S. Appl. No. 29/445,651, filed Feb. 14, 2013; Office Action mailed Oct. 20, 2015; 10 pgs.
White, "Speaker Sounds Bar With Track Mounts", U.S. Appl. No. 29/445,652, filed Feb. 14, 2013; Office Action mailed Oct. 20, 2015; 10 pgs.
White, "Speaker Sounds Bar With Multiple Mount Options", U.S. Appl. No. 29/445,656, filed Feb. 14, 2013; Office Action mailed Oct. 21, 2015; 10 pgs.
White, "Speaker Sound Bar", U.S. Appl. No. 29/445,659, filed Feb. 14, 2013; Office Action mailed Oct. 21, 2015; 11 pgs.
White, "Speaker Sounds Bar With Track Mounts", U.S. Appl. No. 29/445,652, filed Feb. 14, 2013; Notice of Allowance mailed Jan. 15, 2016; 8 pgs.

* cited by examiner

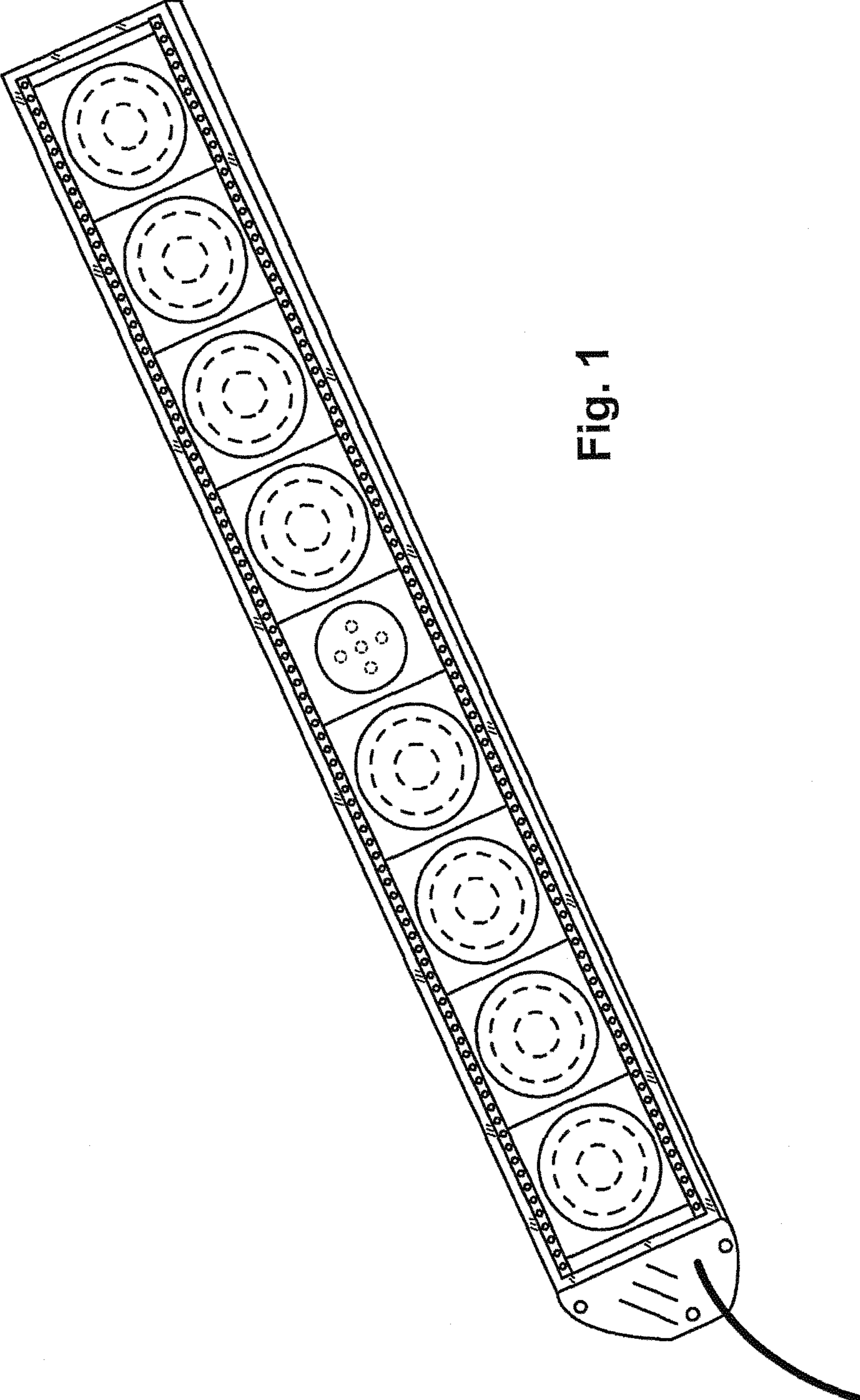


Fig. 1

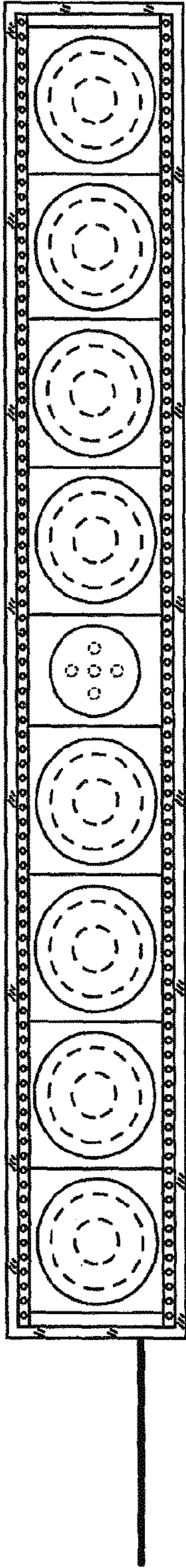


Fig. 2

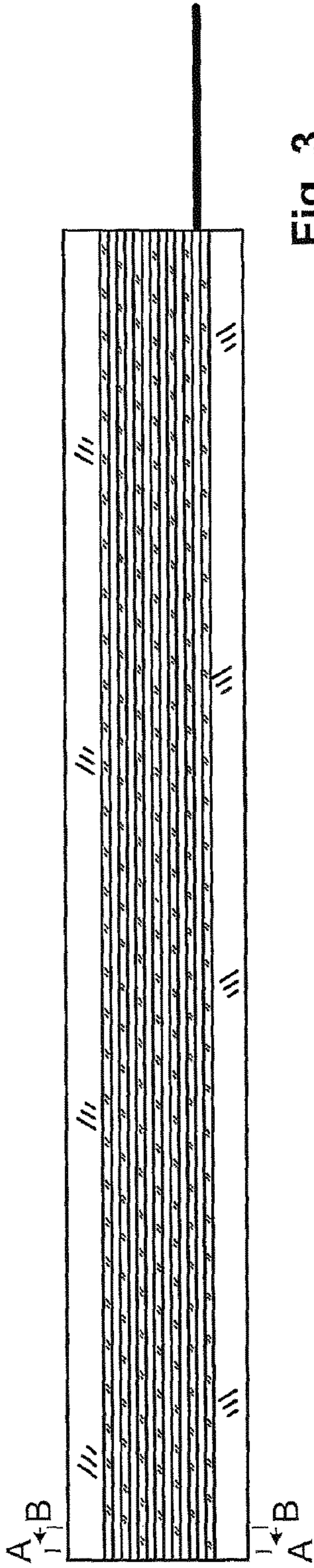


Fig. 3

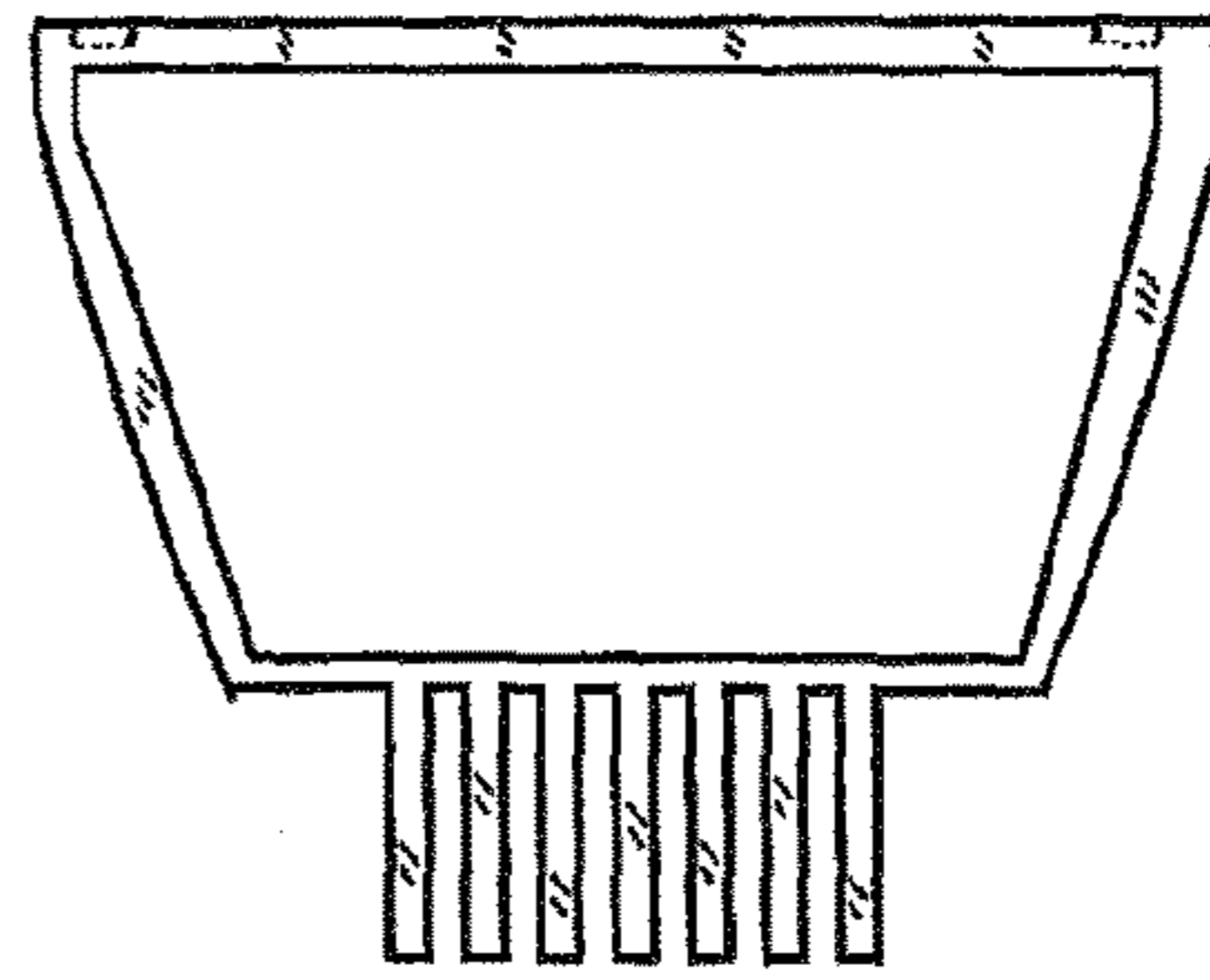


Fig. 4

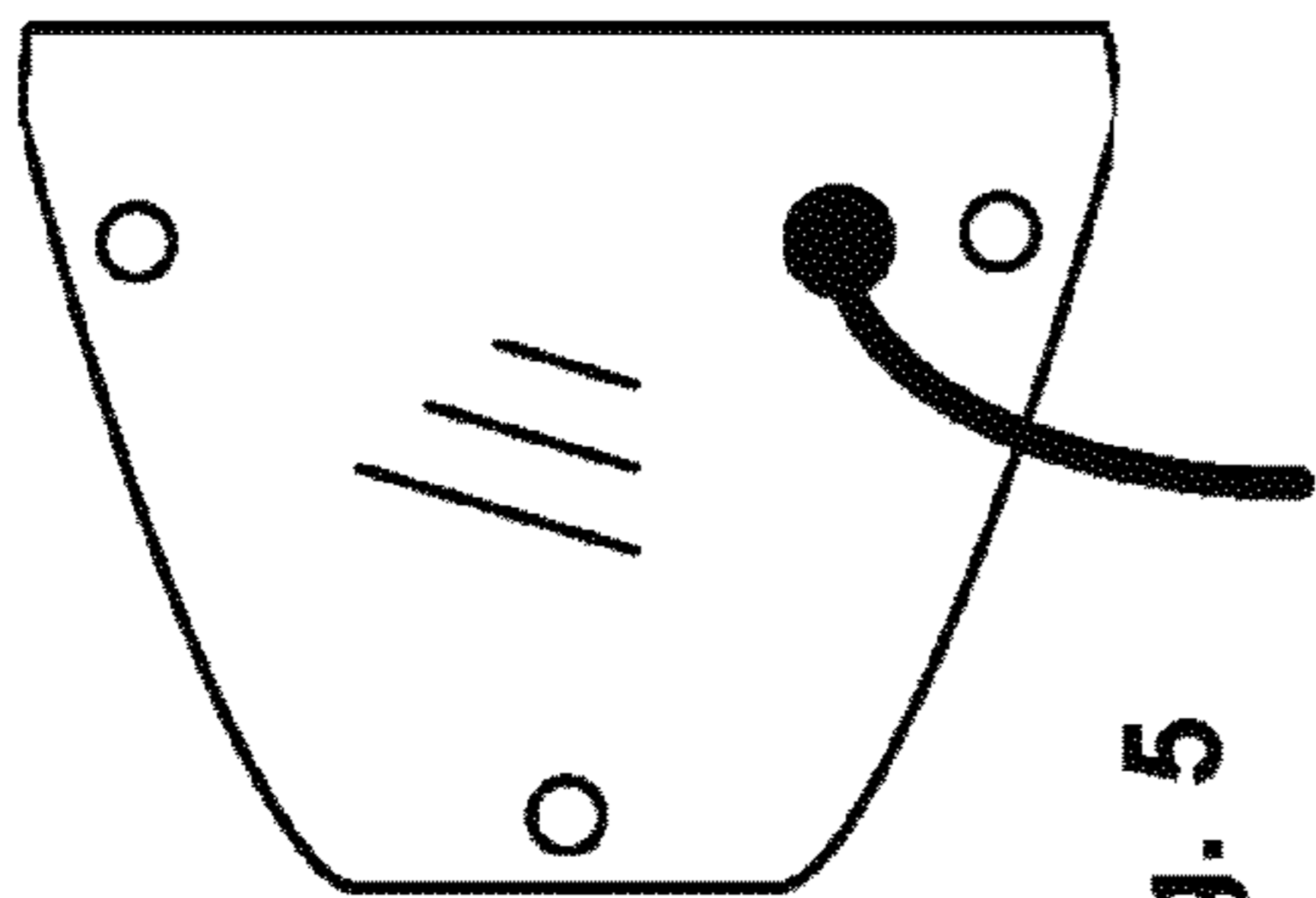


Fig. 5

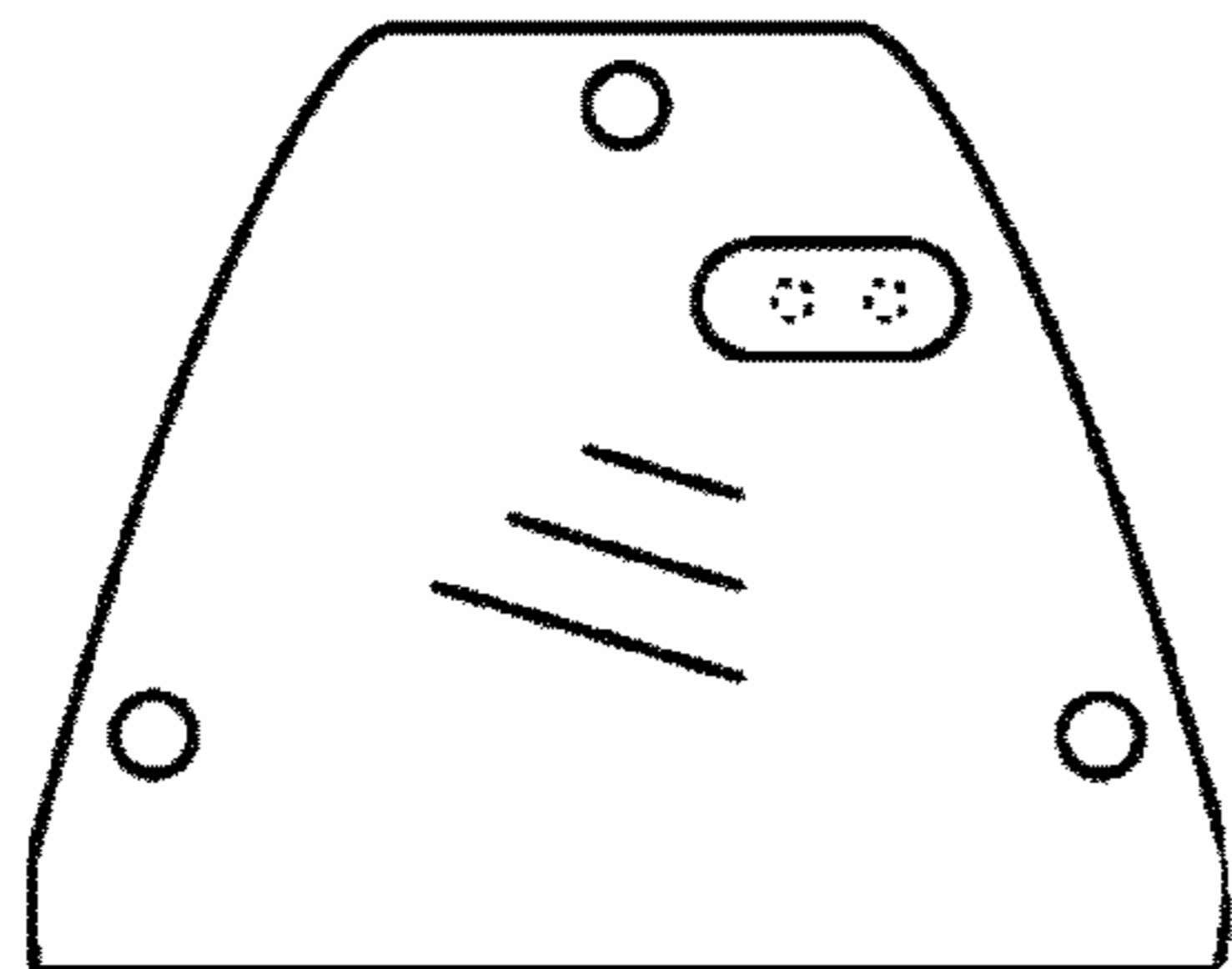


Fig. 6

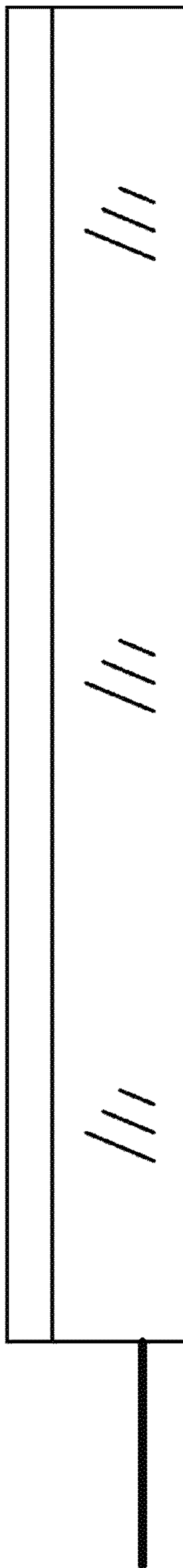


Fig. 7

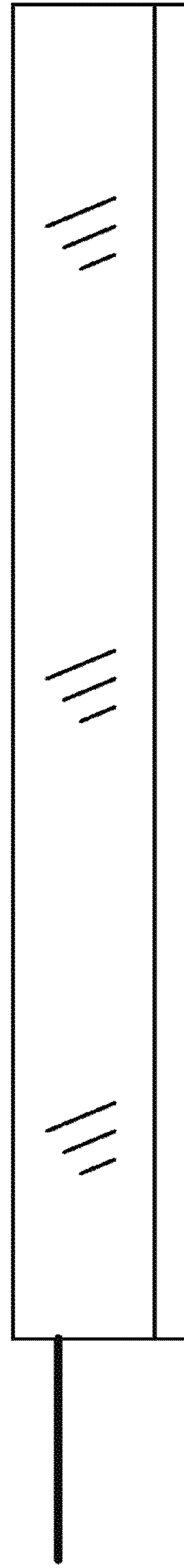


Fig. 8