



US00D756960S

(12) **United States Design Patent**
Bapu et al.

(10) **Patent No.:** **US D756,960 S**
(45) **Date of Patent:** **** May 24, 2016**

(54) **SPEAKER**

(71) Applicants: **Pavan Bapu**, Chicago, IL (US); **Jeffrey Parrish**, Itasca, IL (US)

(72) Inventors: **Pavan Bapu**, Chicago, IL (US); **Jeffrey Parrish**, Itasca, IL (US)

(73) Assignee: **GRAMOVOX, LLC**, Chicago, IL (US)

(**) Term: **14 Years**

(21) Appl. No.: **29/455,422**

(22) Filed: **May 20, 2013**

(51) **LOC (10) Cl.** **14-03**

(52) **U.S. Cl.**
USPC **D14/208**

(58) **Field of Classification Search**

USPC D14/167, 168, 170–172, 188, 194–196,
D14/204, 207, 209.1, 210–216, 219, 221,
D14/222, 224, 496, 169, 199–203, 208;
181/143, 144, 147, 148, 150, 153, 157,
181/198, 199; 381/300–303, 306, 332, 333,
381/336, 345, 361–364, 386–388;
369/6–12
CPC B60R 11/0217; G06F 1/1688; G10K 9/22;
G10K 11/004; H03F 1/327; H04M 1/03;
H04M 1/035; H04N 5/642; H04N 21/4852;
H04R 1/02; H04R 1/06; H04R 1/021; H04R
1/025; H04R 1/026; H04R 1/028; H04R
1/105; H04R 1/323; H04R 1/403; H04R
1/2803; H04R 1/2834; H04R 5/02; H04R
7/02; H04R 9/06; H04R 9/025; H04R
2201/021; H04R 2400/00; H04R 2400/07;
H04R 2499/11; H04R 2499/13; H04R
2499/15; H04S 3/00; H04S 7/30

See application file for complete search history.

(56) **References Cited**

U.S. PATENT DOCUMENTS

D65,371	S	*	8/1924	Hawley	D14/208
1,536,936	A	*	5/1925	Rypinski	381/340
D67,608	S	*	6/1925	Lum	D14/208
D67,678	S	*	6/1925	Serlin	D14/207
D69,446	S	*	2/1926	Frisch et al.	D14/208
D71,069	S	*	9/1926	Lehman	D14/208
D329,237	S	*	9/1992	Ishikawa	D14/216
D338,467	S	*	8/1993	Jung	D14/208
D339,588	S	*	9/1993	Jung	D14/208
D372,916	S	*	8/1996	Starck	D14/195
D497,609	S	*	10/2004	Borsboom	D14/211
D585,873	S	*	2/2009	Gunnarsson	D14/208
D610,127	S	*	2/2010	Daniele	D14/209.1
D617,773	S	*	6/2010	Schneller	D14/208
D633,078	S	*	2/2011	Lewis	D14/168
D677,650	S	*	3/2013	Bosa	D14/208
D678,248	S	*	3/2013	Yu	D14/216

(Continued)

OTHER PUBLICATIONS

CNet.com; Moyer, Edward; "www.cnet.com/news/non-electric-iphone-dock-boosts-sound-with-gramophone-horn"; dated Jan. 26, 2012; accessed Jun. 29, 2015; 10p.*

(Continued)

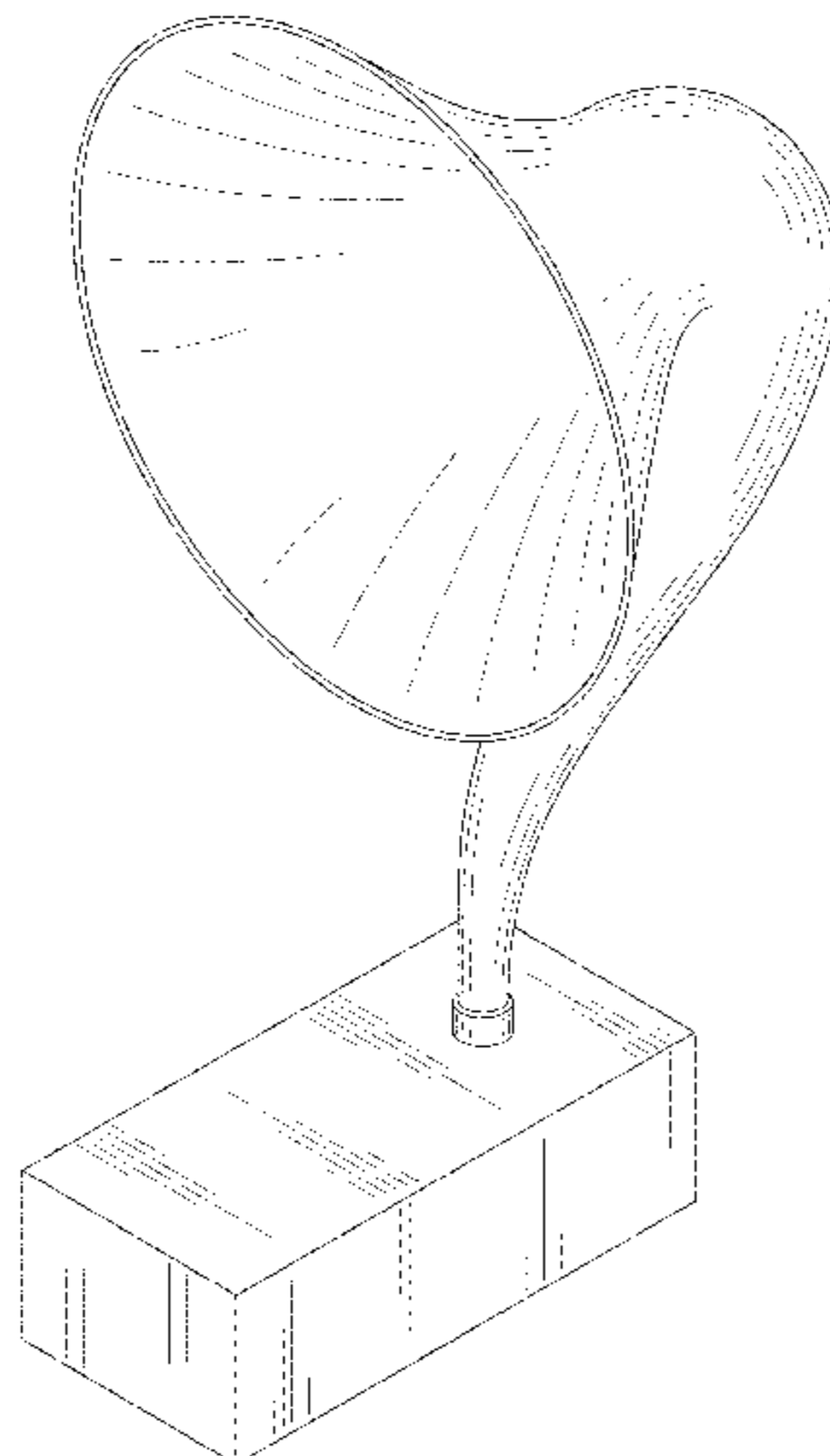
Primary Examiner — Keli L Hill
(74) *Attorney, Agent, or Firm* — Richards Patent Law P.C.

(57) **CLAIM**
The ornamental design for a speaker, as shown and described.

DESCRIPTION

FIG. 1 is a perspective view of a speaker showing our new design;
FIG. 2 is a front view thereof;
FIG. 3 is a back view thereof;
FIG. 4 is a right view thereof;
FIG. 5 is a top view thereof; and,
FIG. 6 is a bottom view thereof.
Those portions of the figures that are presented in broken lines merely illustrate the environment of the design and are not part of the claimed design.

1 Claim, 5 Drawing Sheets



(56)

References Cited

OTHER PUBLICATIONS

U.S. PATENT DOCUMENTS

D684,142 S * 6/2013 Sun et al. D14/215
D691,125 S * 10/2013 Cheon et al. D14/253
D700,903 S * 3/2014 Hoffman et al. D14/208
D711,364 S * 8/2014 Barker D14/252
D714,282 S * 9/2014 Cheon D14/252
D727,290 S * 4/2015 Kim et al. D14/208

Mashable.com; Larson, Eric; “www.mashable.com/2012/11/09/iphone-gramophone”; dated Nov. 9, 2012; accessed Jun. 29, 2015;

3p.*

* cited by examiner

FIG. 1

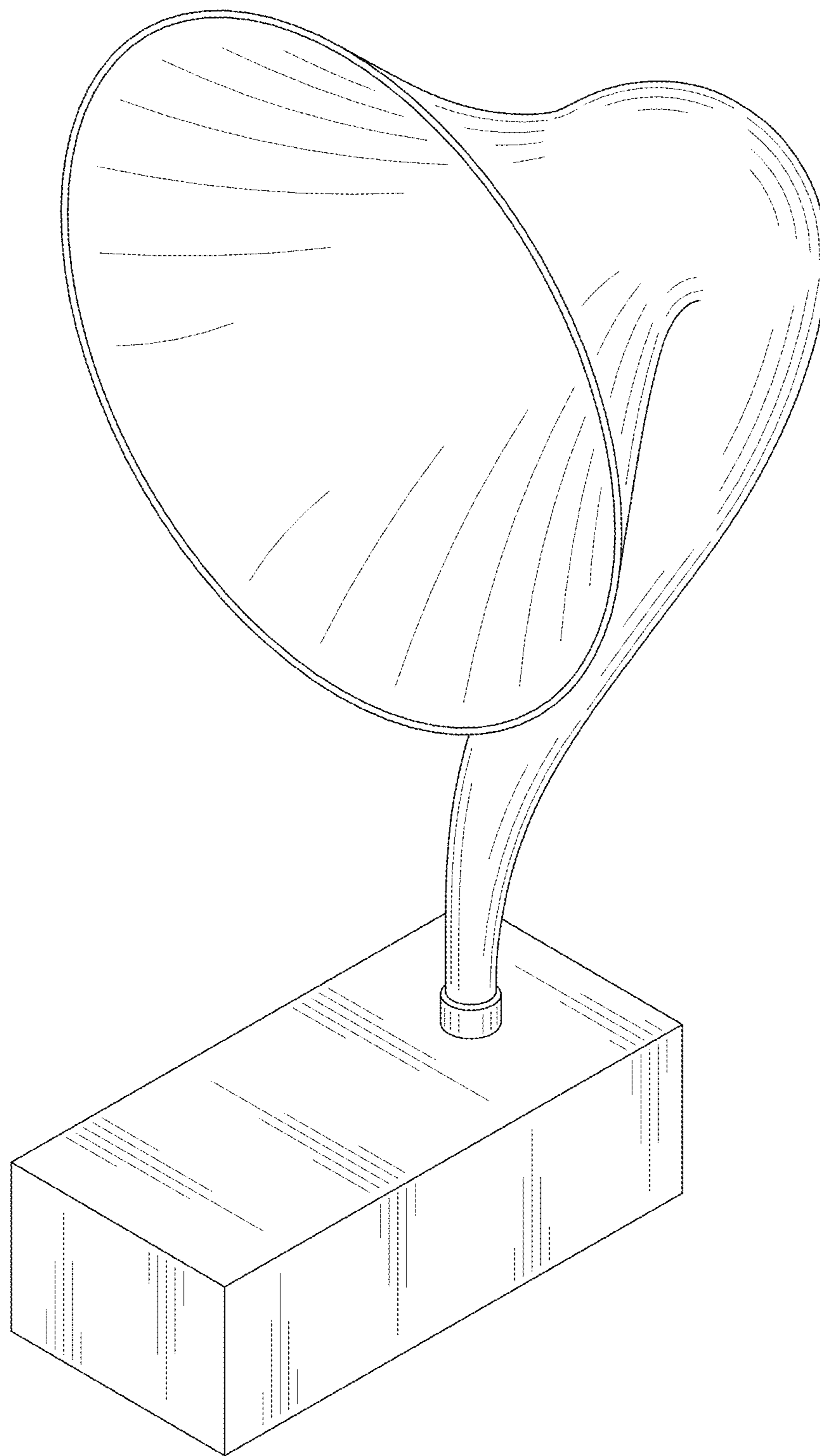


FIG. 2

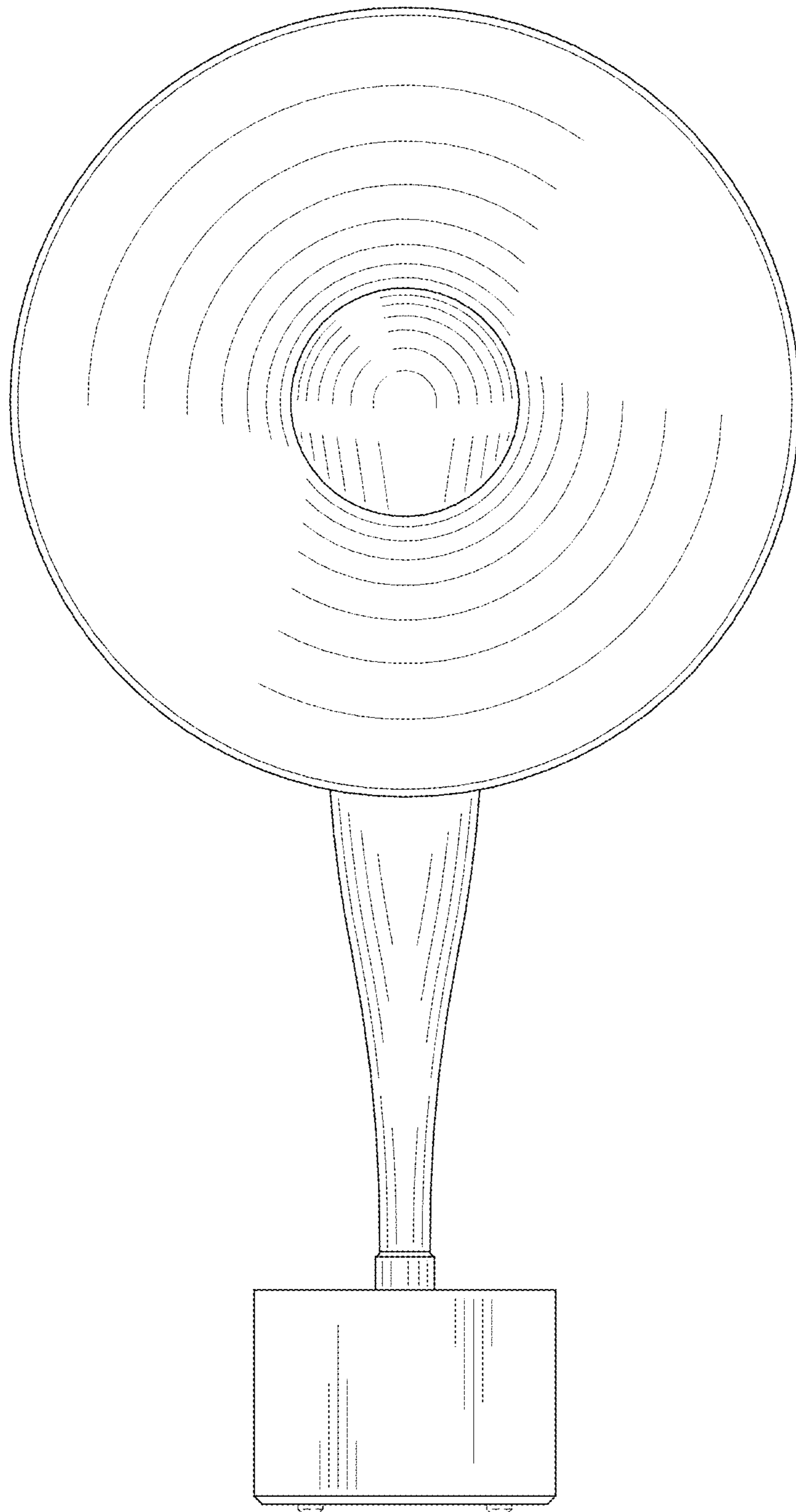


FIG. 3

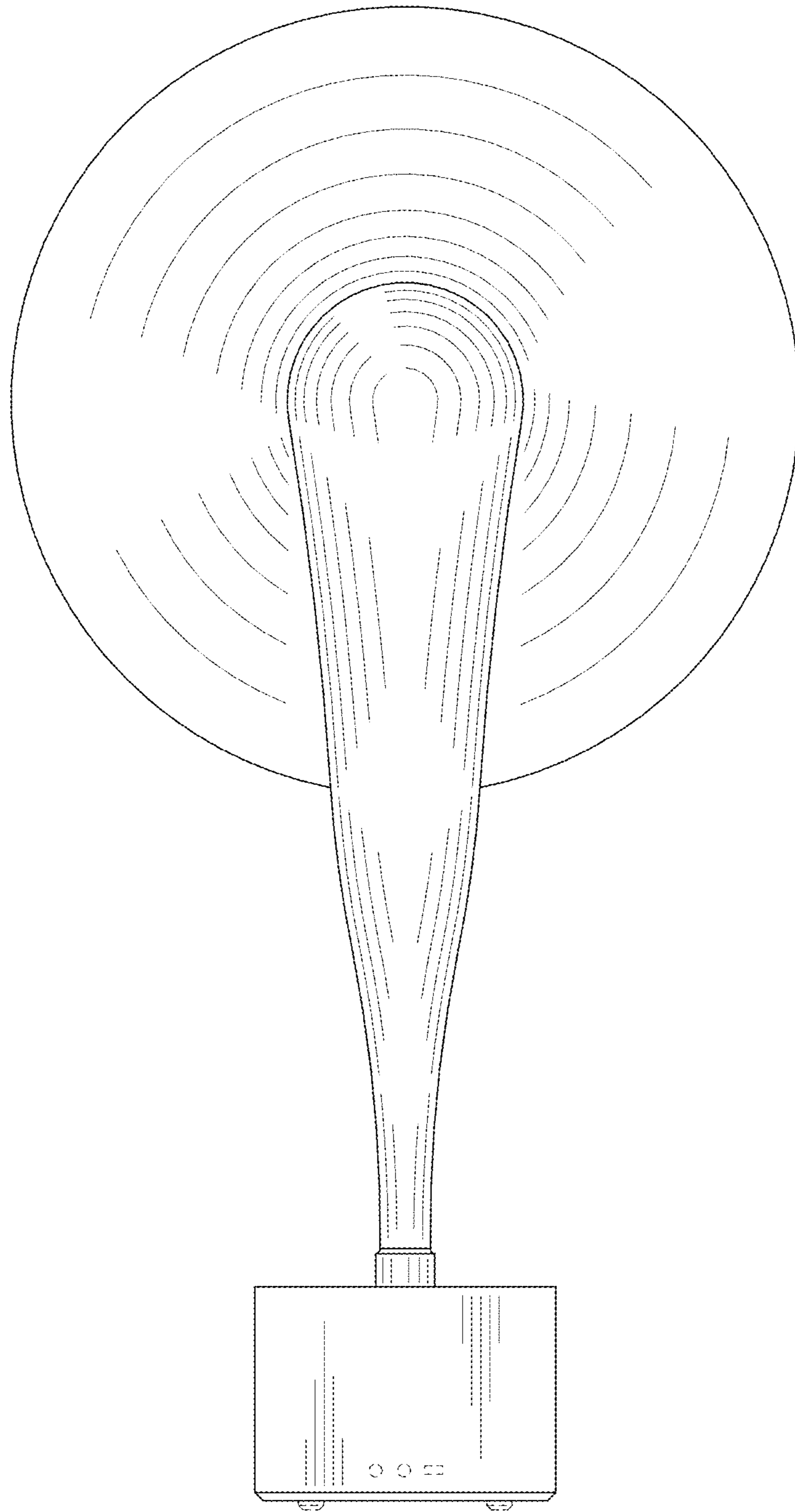


FIG. 4

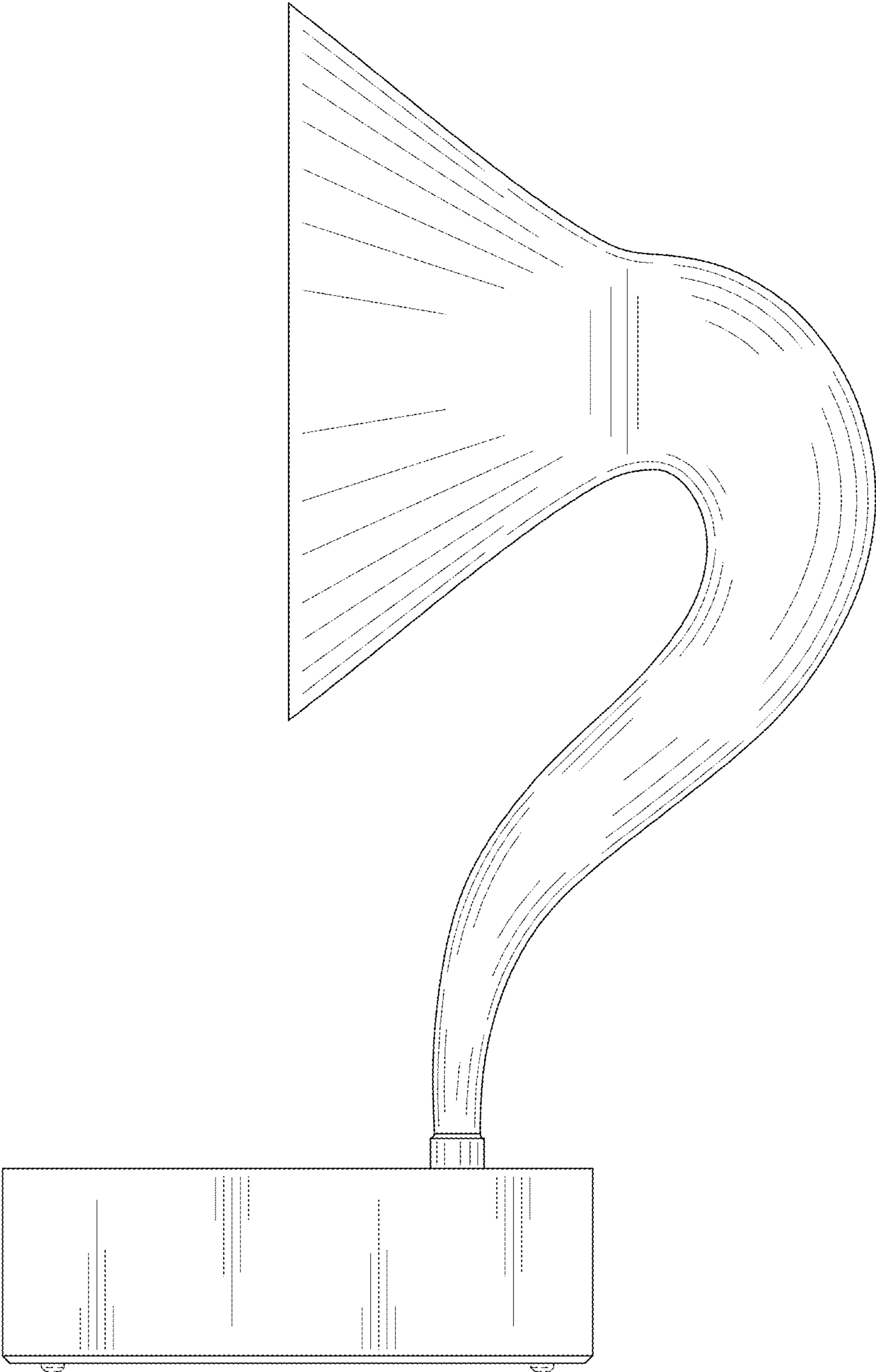


FIG. 5

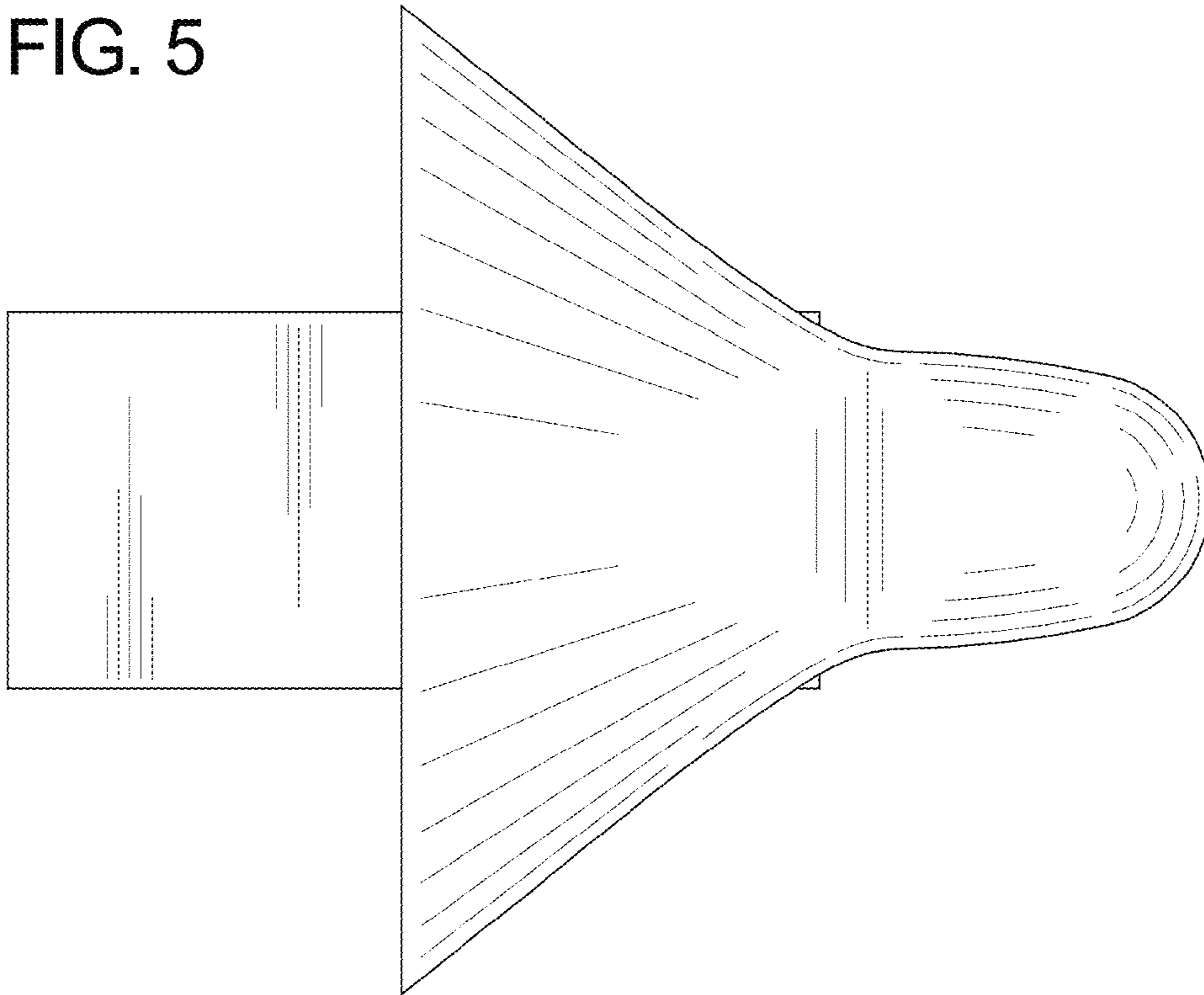


FIG. 6

