

US00D756958S

(12) **United States Design Patent**
Lee et al.

(10) **Patent No.:** **US D756,958 S**
(45) **Date of Patent:** **** May 24, 2016**

- (54) **WIRELESS HEADSET**
- (71) Applicant: **LG ELECTRONICS INC.**, Seoul (KR)
- (72) Inventors: **Hophil Lee**, Seoul (KR); **Yooshin Ahn**, Seoul (KR); **Seungbeom Park**, Seoul (KR)
- (73) Assignee: **LG ELECTRONICS INC.**, Seoul (KR)
- (**) Term: **14 Years**
- (21) Appl. No.: **29/524,381**
- (22) Filed: **Apr. 20, 2015**
- (30) **Foreign Application Priority Data**

Oct. 21, 2014 (KR) 30-2014-0050486

- (51) **LOC (10) Cl.** **14-01**
- (52) **U.S. Cl.**
USPC **D14/205**
- (58) **Field of Classification Search**
USPC D14/205, 192, 188, 372; D24/106, 174;
D29/112; 2/209; 181/129, 130, 135;
379/430, 431, 435; 381/380, 381, 74,
381/378, 374, 384, 183, 351; 455/575.2,
455/569.1
CPC H04R 25/00; H04R 1/10; H04R 1/1066;
H04R 1/1091; H04R 5/0335
See application file for complete search history.

(56) **References Cited**

U.S. PATENT DOCUMENTS

- 2,891,116 A * 6/1959 Nichols H04R 25/602
381/323
- 4,649,570 A * 3/1987 Terbrack H04R 1/08
379/452
- D321,879 S * 11/1991 Emmerling D14/188
- 5,457,751 A * 10/1995 Such H04M 1/05
348/115
- D371,558 S * 7/1996 Yoshizawa D14/205
- D386,181 S * 11/1997 Fisher D14/192
- 6,010,216 A * 1/2000 Jesiek H04B 1/385
351/158

- 6,603,863 B1 * 8/2003 Nagayoshi H04R 5/0335
381/370
- 6,799,018 B1 * 9/2004 Lam H04B 10/11
381/384
- D508,908 S * 8/2005 Chueh D14/205
- D514,552 S * 2/2006 Lee D14/205
- D516,540 S * 3/2006 Beauchemin D14/192
- D525,235 S * 7/2006 Koizumi D14/205
- D533,539 S * 12/2006 Mah D14/205
- D550,202 S * 9/2007 Meier D14/206
- D557,685 S * 12/2007 Lee D14/205
- D575,268 S * 8/2008 Christopher D14/205
- D576,149 S * 9/2008 Malik D14/205
- D579,442 S * 10/2008 Kim D14/205
- D593,067 S * 5/2009 Millora D14/205
- D593,538 S * 6/2009 Chon D14/205
- D594,442 S * 6/2009 Chon D14/205
- D596,617 S * 7/2009 Devlas D14/205
- D604,269 S * 11/2009 Choe D14/205
- D617,308 S * 6/2010 Nousiainen D14/205

(Continued)

Primary Examiner — Paula Greene

(74) *Attorney, Agent, or Firm* — Birch, Stewart, Kolasch & Birch, LLP

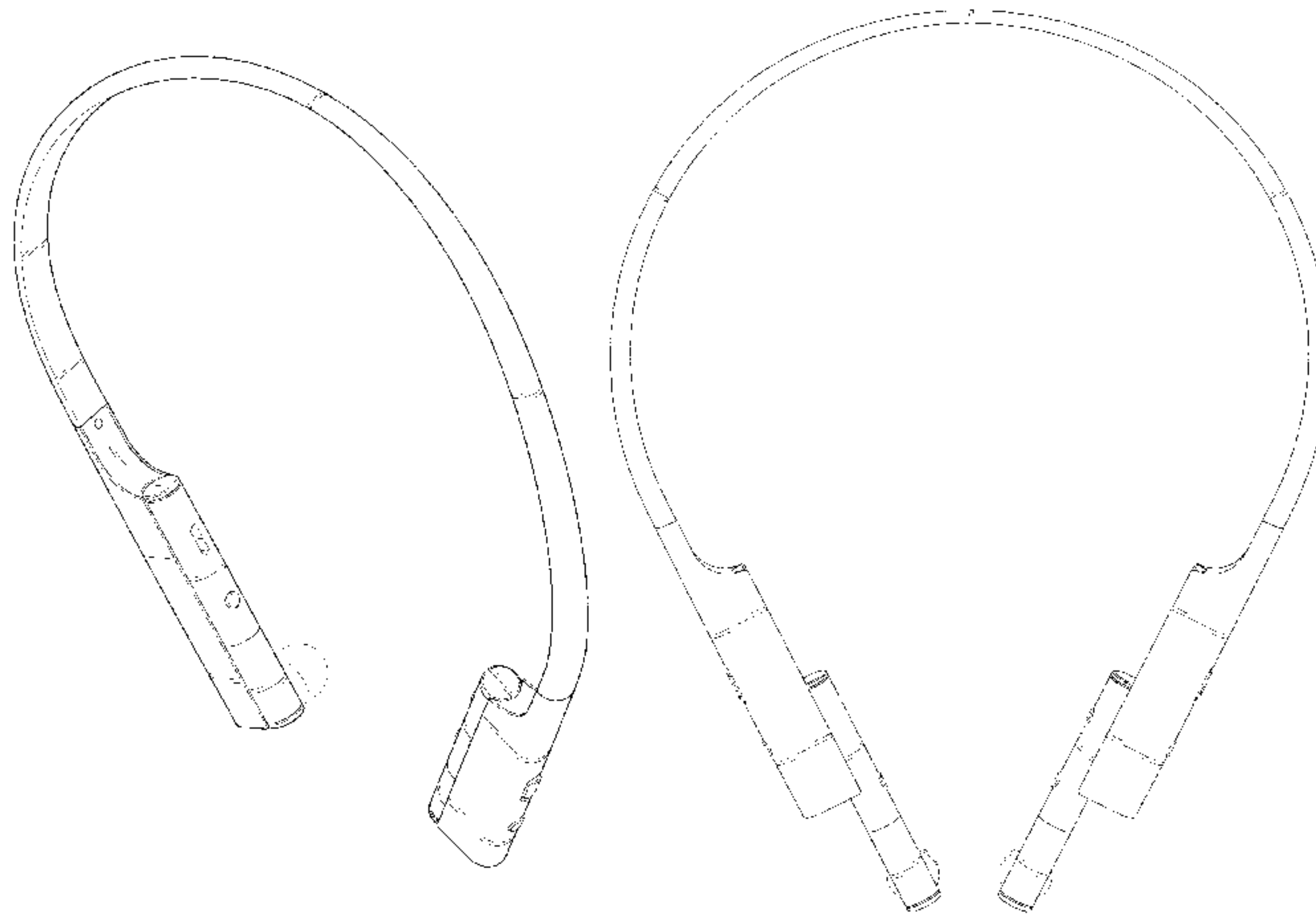
(57) **CLAIM**

The ornamental design for wireless headset, as shown and described.

DESCRIPTION

FIG. 1 is a perspective view of a wireless headset showing our new design;
 FIG. 2 is a front view thereof;
 FIG. 3 is a rear view thereof;
 FIG. 4 is a left side view thereof where the right side view is a mirror image;
 FIG. 5 is a top plan view thereof;
 FIG. 6 is a bottom plan view thereof;
 FIG. 7 is a reference view thereof showing the way of the earphone parts being detached from the subject design; and,
 FIG. 8 is a reference view thereof showing an example of the usage of the subject design.
 The broken lines depict portions of the wireless headset that form no part of the claimed design.

1 Claim, 7 Drawing Sheets



(56)

References Cited

U.S. PATENT DOCUMENTS

7,920,902 B2 *	4/2011	Carroll	H04M 1/6066 381/74	D707,199 S *	6/2014	Cepress	D14/205
D643,830 S *	8/2011	Fish	D14/205	D712,371 S *	9/2014	Henning	D14/205
D663,714 S *	7/2012	Kang	D14/205	D716,759 S *	11/2014	Ha	D14/205
D669,881 S *	10/2012	Clements	D14/205	D721,673 S *	1/2015	Park	D14/205
D678,858 S *	3/2013	Feng	D14/205	D730,867 S *	6/2015	Park	D14/205
8,433,082 B2 *	4/2013	Abolfathi	H04R 1/46 381/151	D731,999 S *	6/2015	Cepress	D14/205
D686,189 S *	7/2013	Lu	D14/205	D752,542 S *	3/2016	Lamar	D14/205
D703,634 S *	4/2014	Han	D14/205	2001/0010727 A1 *	8/2001	Urwyler	H04R 1/1033 381/384
D706,745 S *	6/2014	Nakagawa	D14/205	2011/0170702 A1 *	7/2011	Bays	H04R 5/0335 381/74
					2013/0329903 A1 *	12/2013	Ting	H04R 1/105 381/74

* cited by examiner

FIG. 1

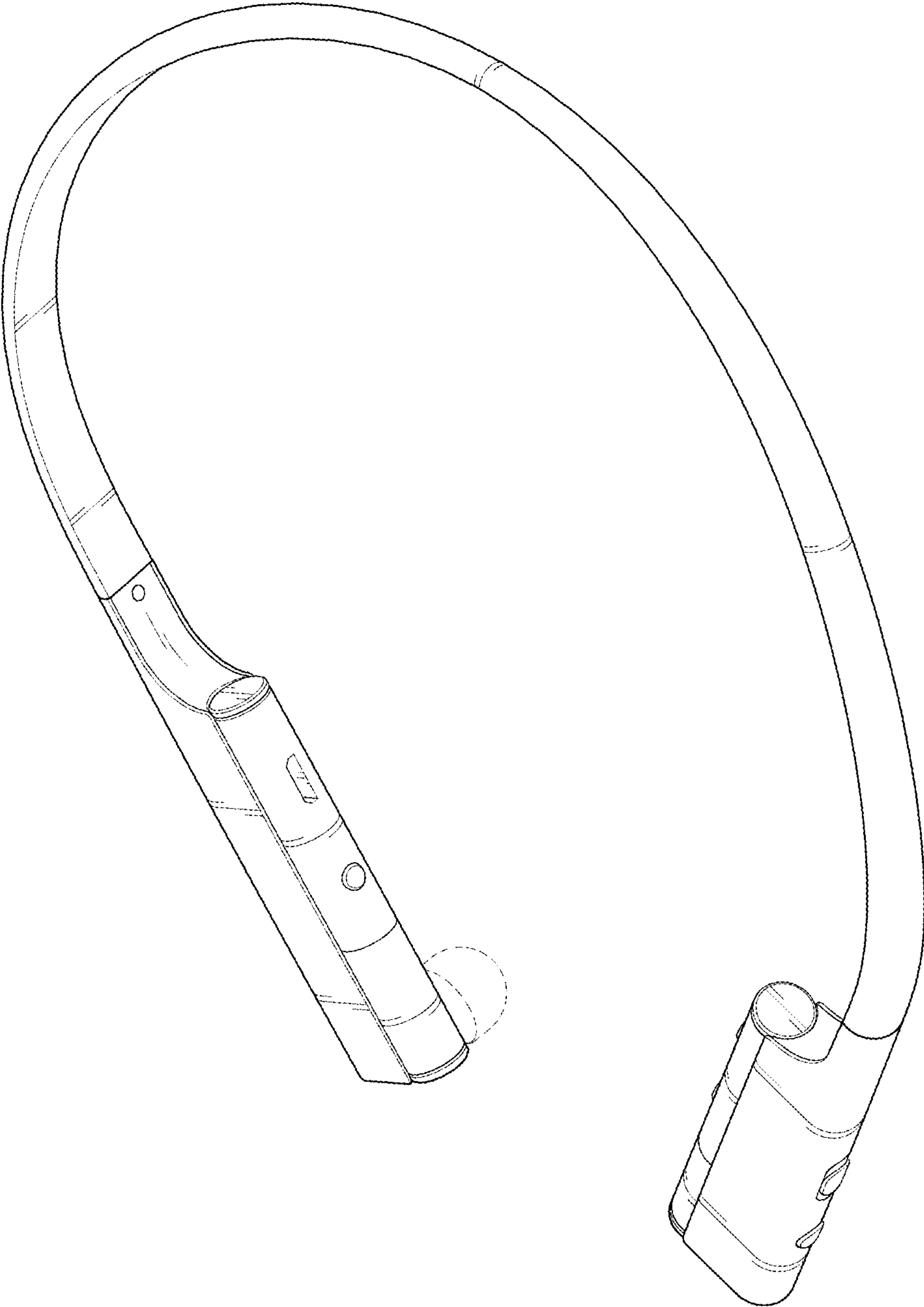


FIG. 2

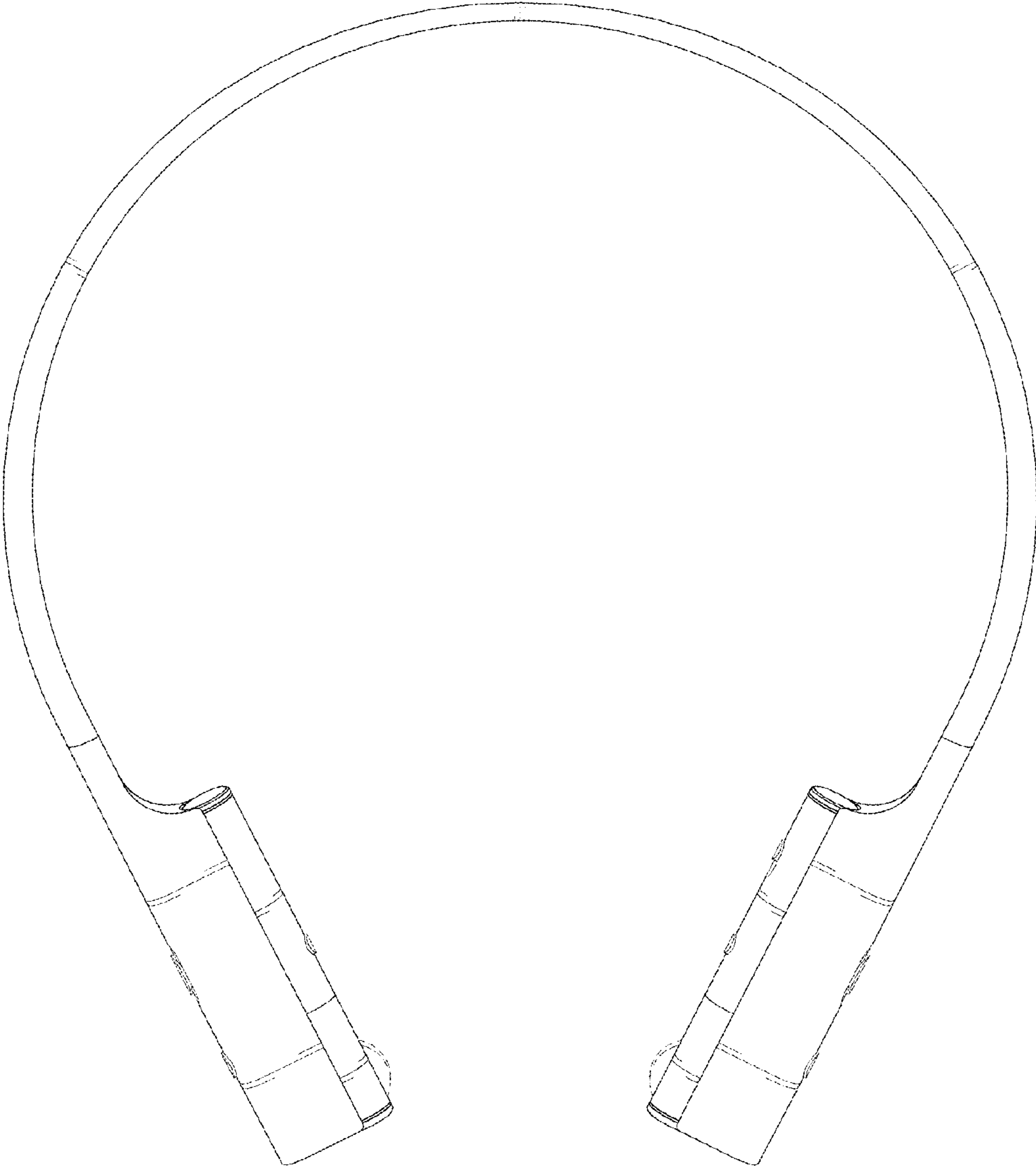


FIG. 3

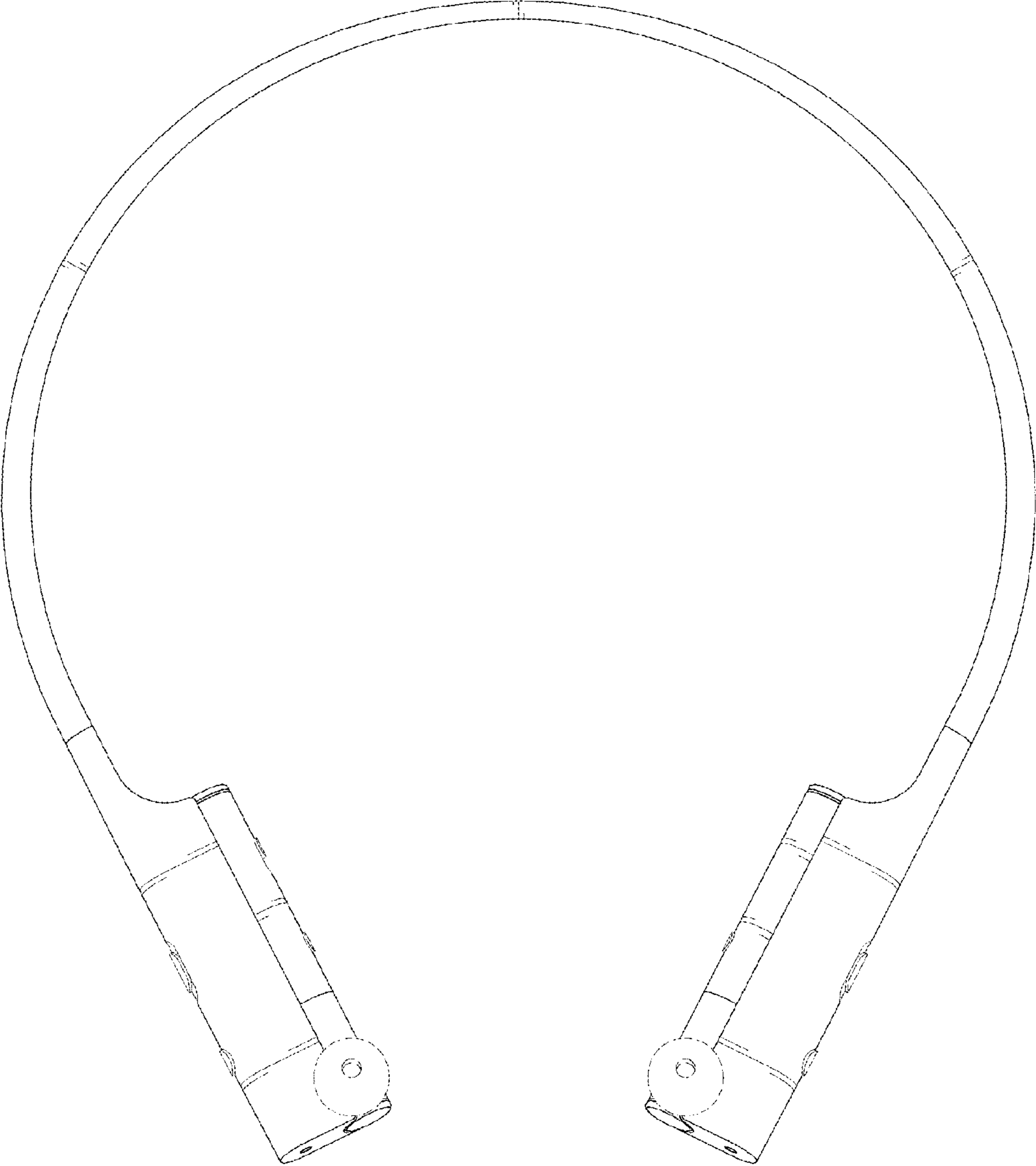


FIG. 4

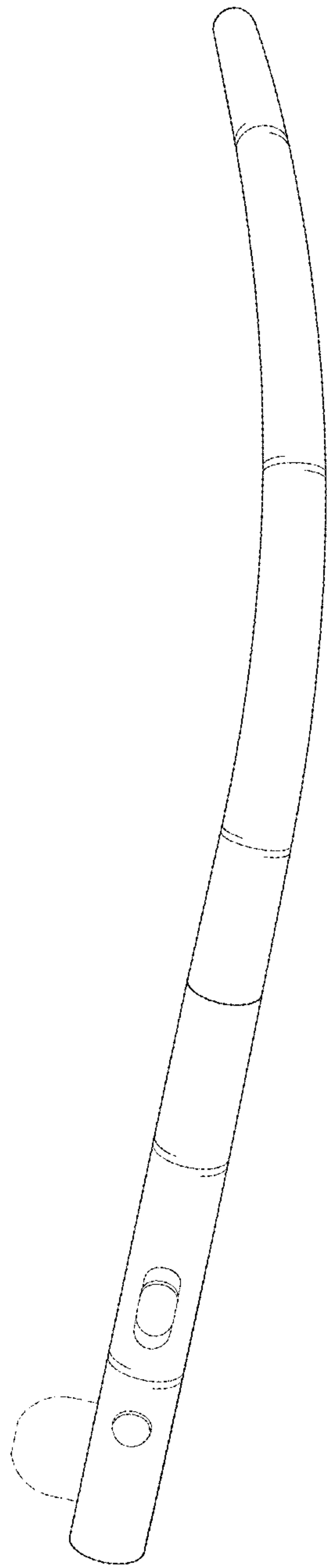


FIG. 5

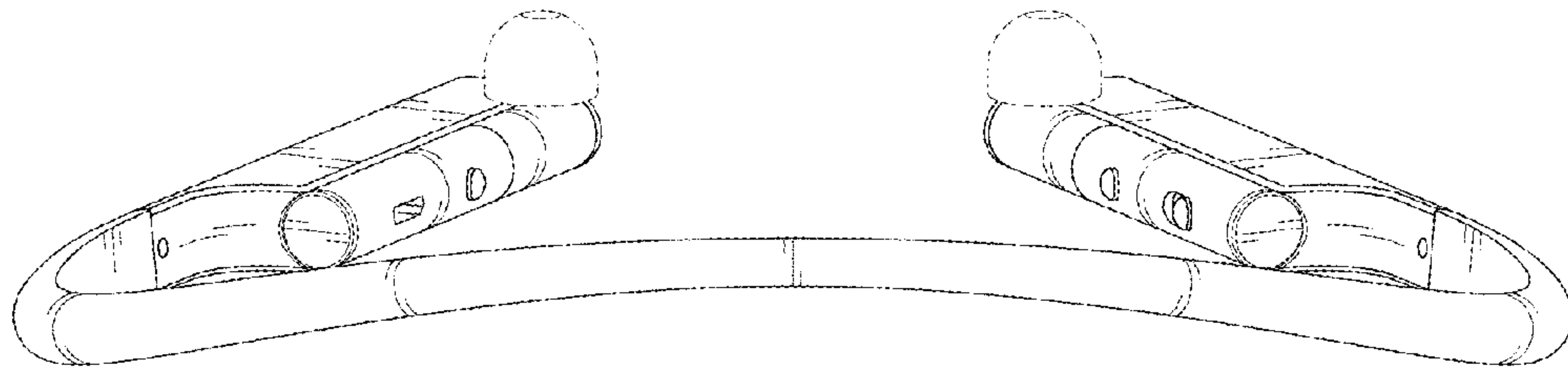


FIG. 6

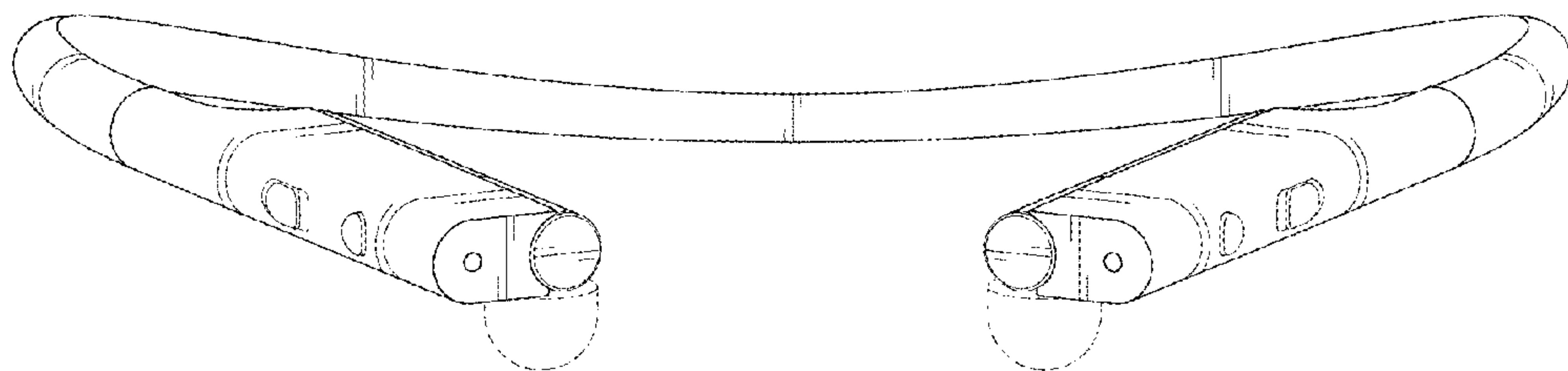


FIG. 7

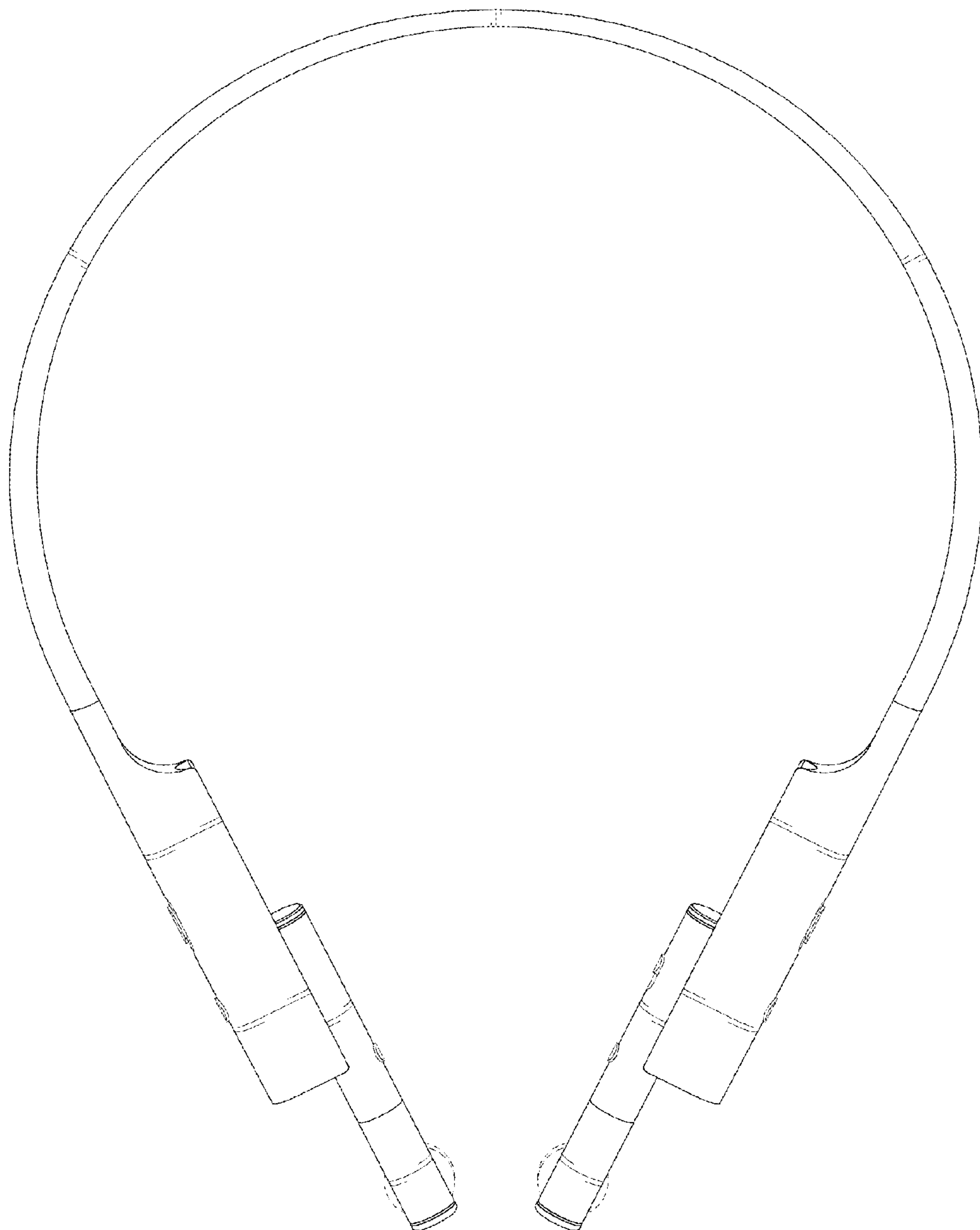


FIG. 8

