

US00D756957S

(12) **United States Design Patent**  
**Nylen**

(10) **Patent No.:** **US D756,957 S**

(45) **Date of Patent:** **\*\* \*May 24, 2016**

(54) **WIRELESS SPEAKER**

(56)

**References Cited**

(71) Applicant: **Nokia Corporation**, Espoo (FI)

U.S. PATENT DOCUMENTS

(72) Inventor: **Tuomas Nylen**, Helsinki (FI)

D426,515 S *	6/2000	Buckle .....	D13/103
D510,926 S *	10/2005	Jerome .....	D14/500
D533,537 S *	12/2006	Reardon et al. ....	D14/172
D593,071 S *	5/2009	Laituri et al. ....	D14/216
D601,564 S *	10/2009	Maeno .....	D14/400
D625,295 S *	10/2010	Nogueira et al. ....	D14/218
D639,784 S *	6/2011	Murayama et al. ....	D14/218
D645,843 S *	9/2011	Bolton .....	D14/209.1

(73) Assignee: **MICROSOFT MOBILE OY**, Espoo (FI)

\* cited by examiner

(\* ) Notice: This patent is subject to a terminal disclaimer.

*Primary Examiner* — Derrick Holland

*Assistant Examiner* — Janice Lim

(\*\*) Term: **14 Years**

(74) *Attorney, Agent, or Firm* — Banner & Witcoff, Ltd.

(21) Appl. No.: **29/488,917**

(57) **CLAIM**

The ornamental design for a wireless speaker, as shown and described.

(22) Filed: **Apr. 24, 2014**

**DESCRIPTION**

(51) **LOC (10) Cl.** ..... **14-01**

(52) **U.S. Cl.**  
USPC ..... **D14/204**

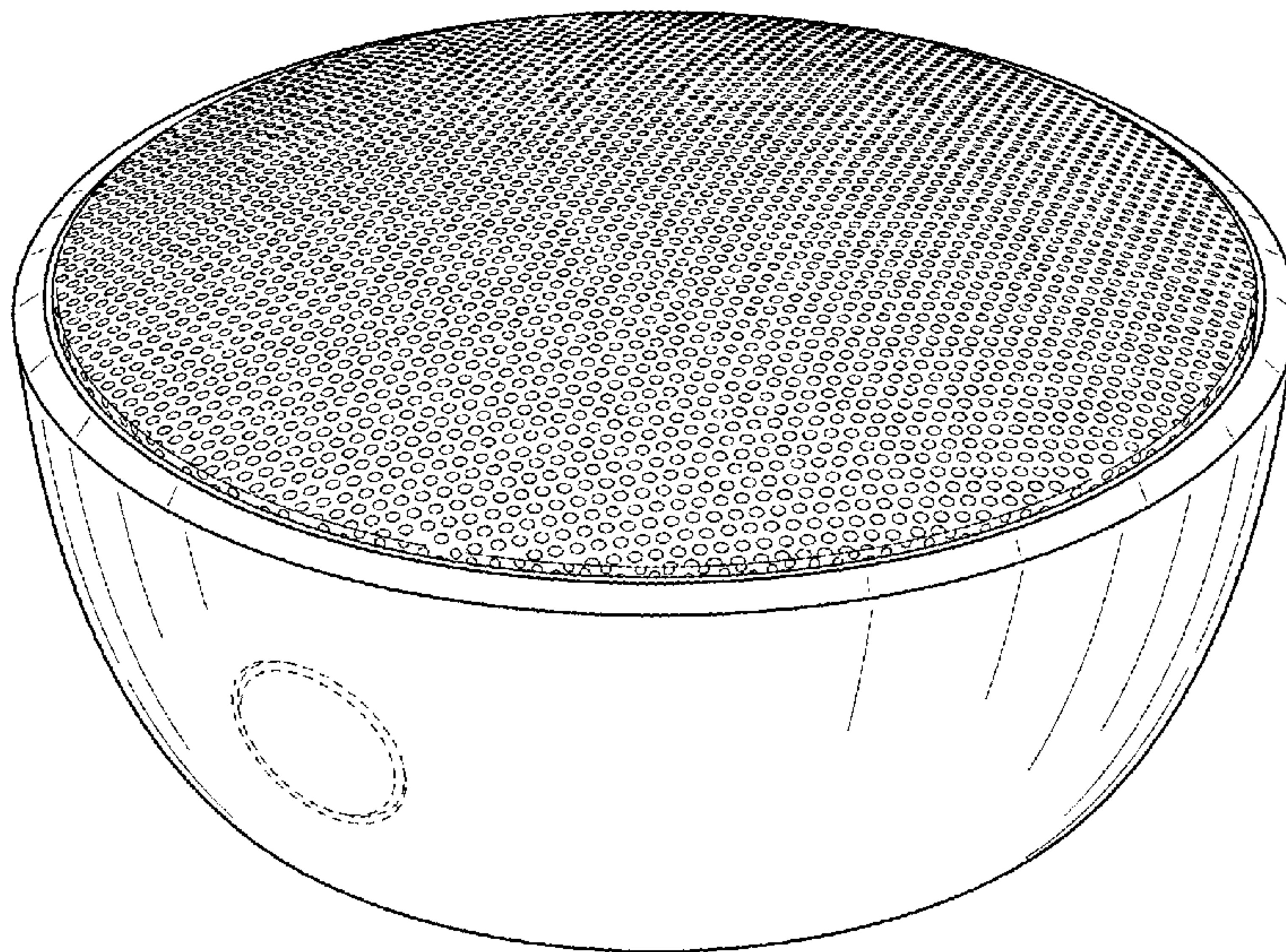
(58) **Field of Classification Search**  
USPC ..... D10/1, 15, 18, 22, 28; D13/103, 118, D13/134, 184, 199; D14/167–169, D14/170–172, 188, 194–197, 203.1–203.6, D14/204, 207, 214–216, 496; 181/143, 144, 181/147, 148, 150, 153, 157, 198, 199; 381/300–302, 336, 345, 361–364, 381/386–388

CPC ..... H04R 1/02; H04R 1/021; H04R 1/023; H04R 5/00; H04R 9/06; H04R 2420/07

See application file for complete search history.

FIG. 1 is a front perspective view of a wireless speaker, showing my new design;  
FIG. 2 is a rear perspective view thereof;  
FIG. 3 is a front view thereof;  
FIG. 4 is a rear view thereof;  
FIG. 5 is a right side view thereof;  
FIG. 6 is a left side view thereof;  
FIG. 7 is a top plan view thereof; and,  
FIG. 8 is a bottom plan view thereof.  
The broken line portions of FIGS. 1-6 and 8 are included to show unclaimed subject matter only and form no part of the claimed design.

**1 Claim, 4 Drawing Sheets**





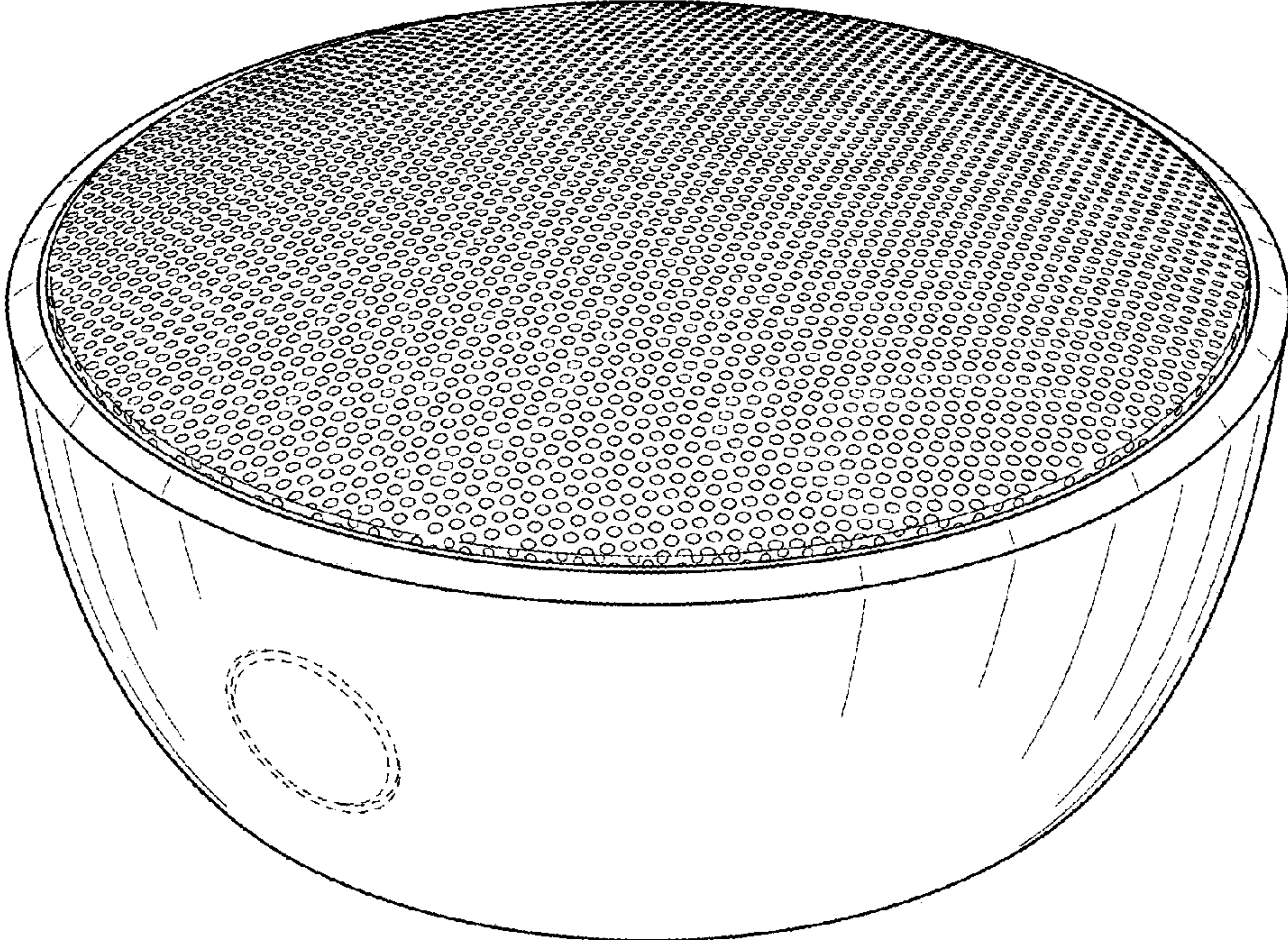


FIG. 1

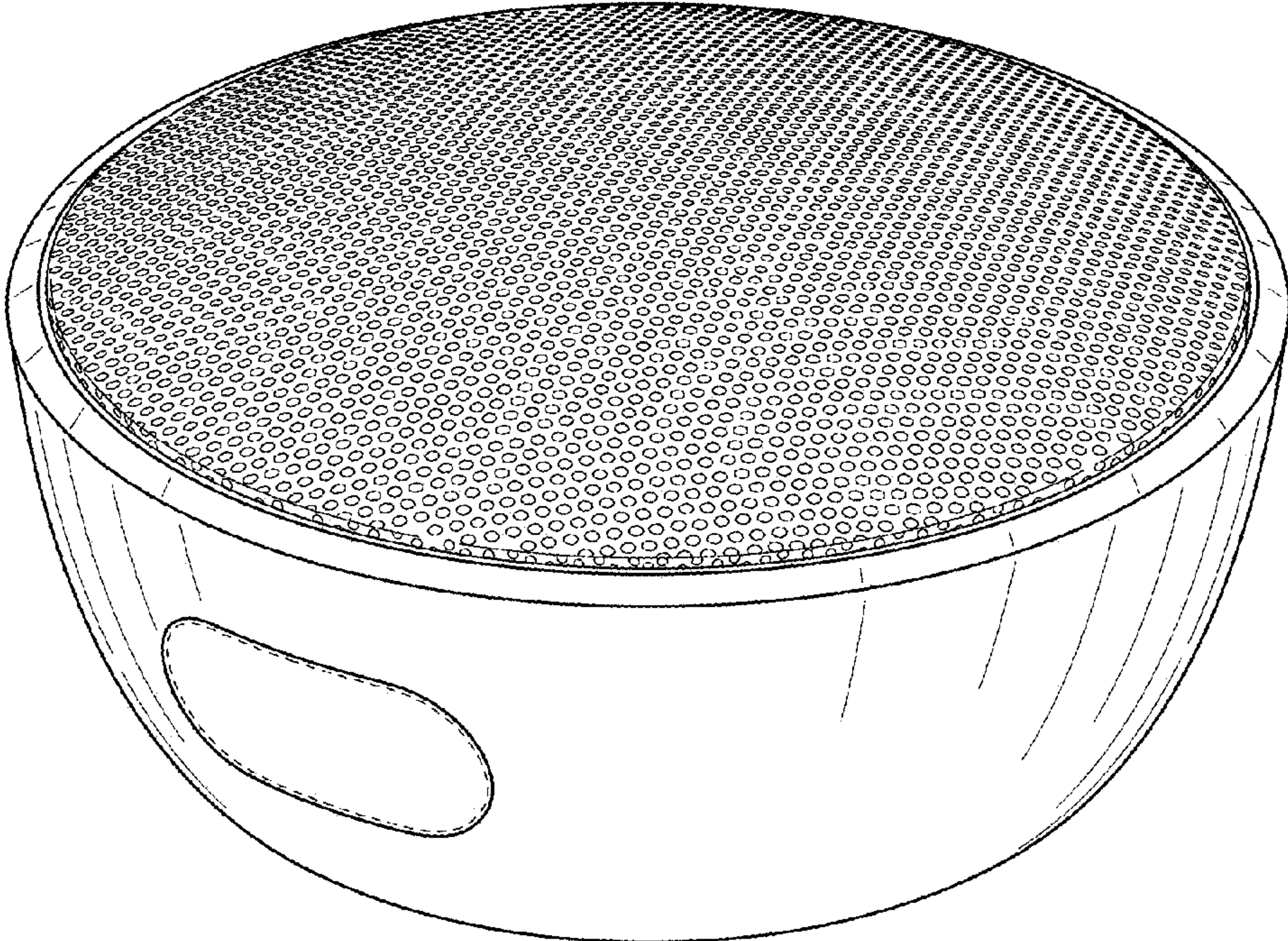


FIG. 2



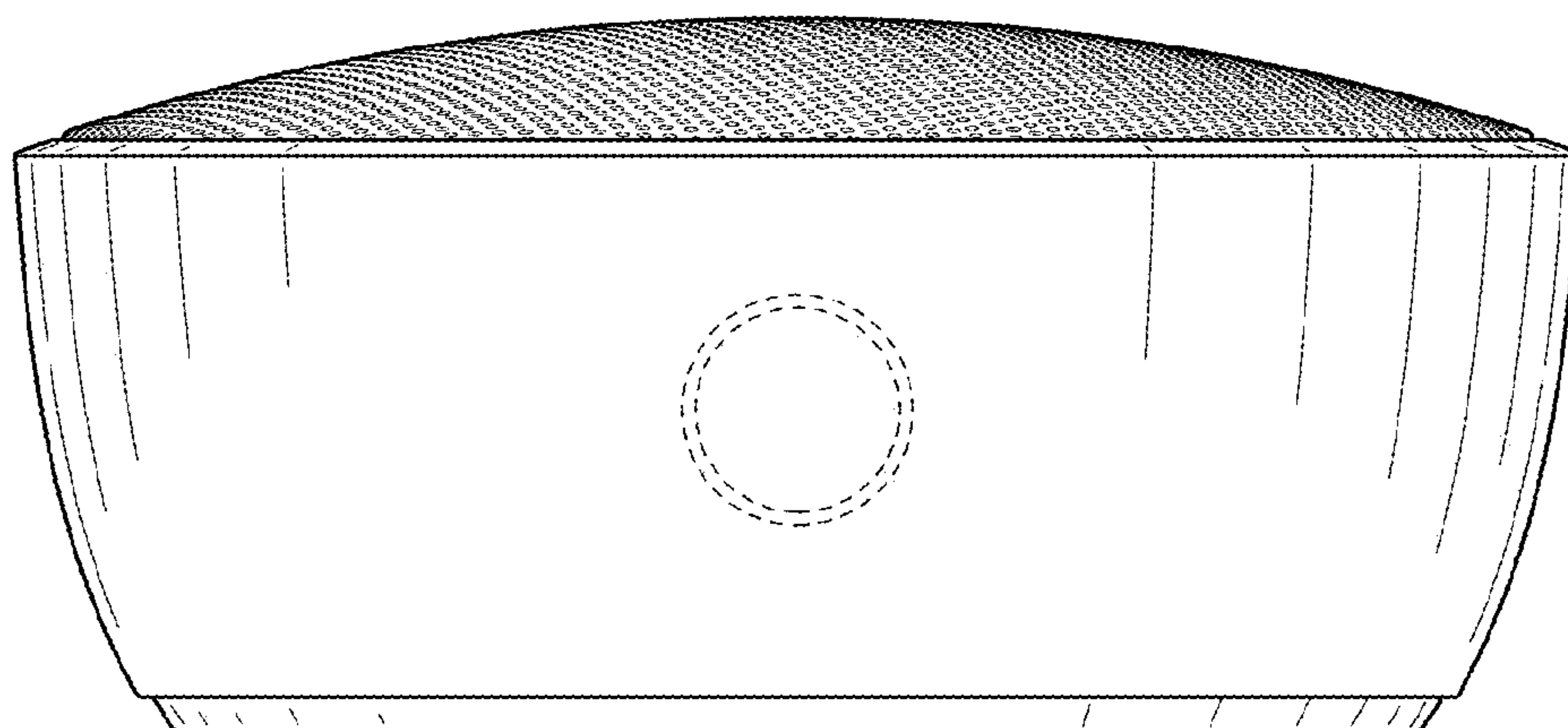


FIG. 3

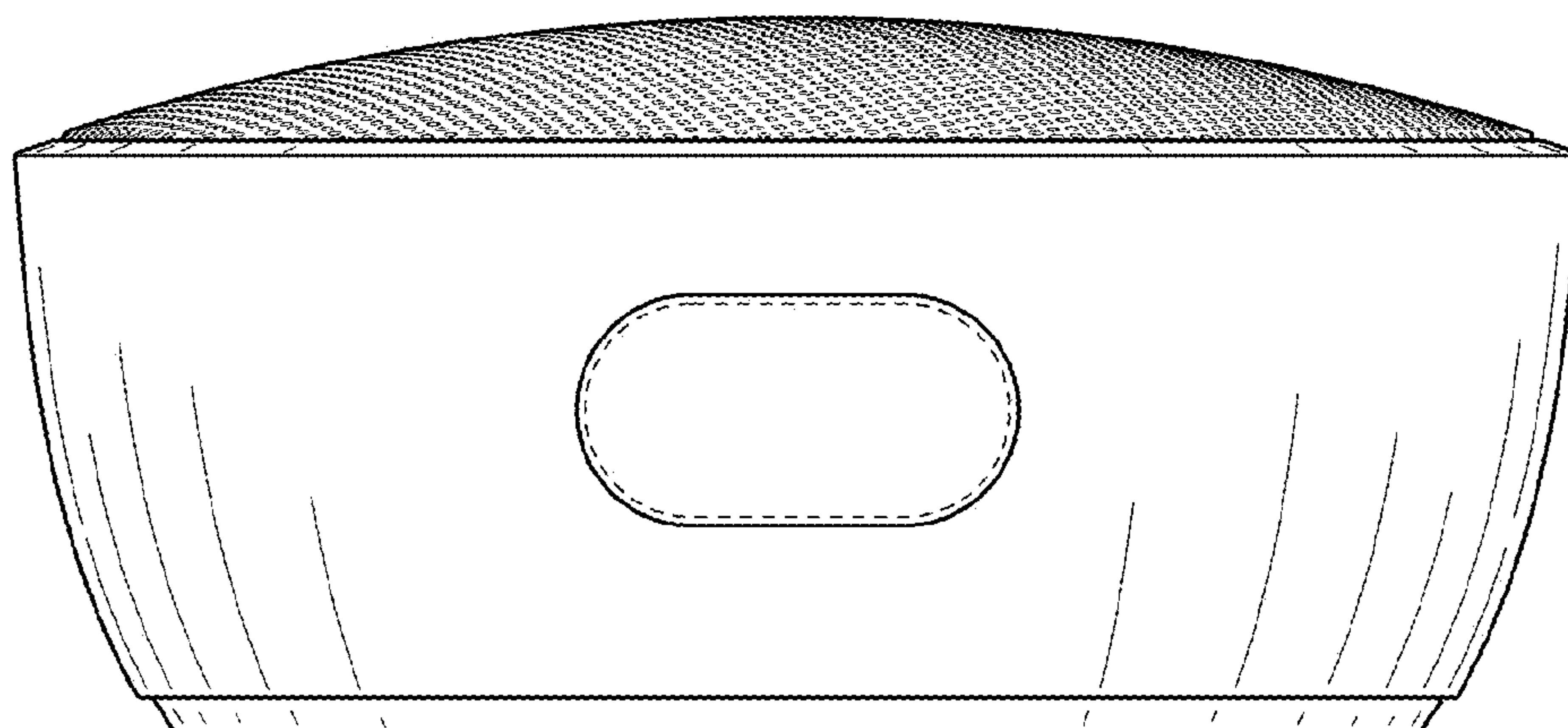


FIG. 4

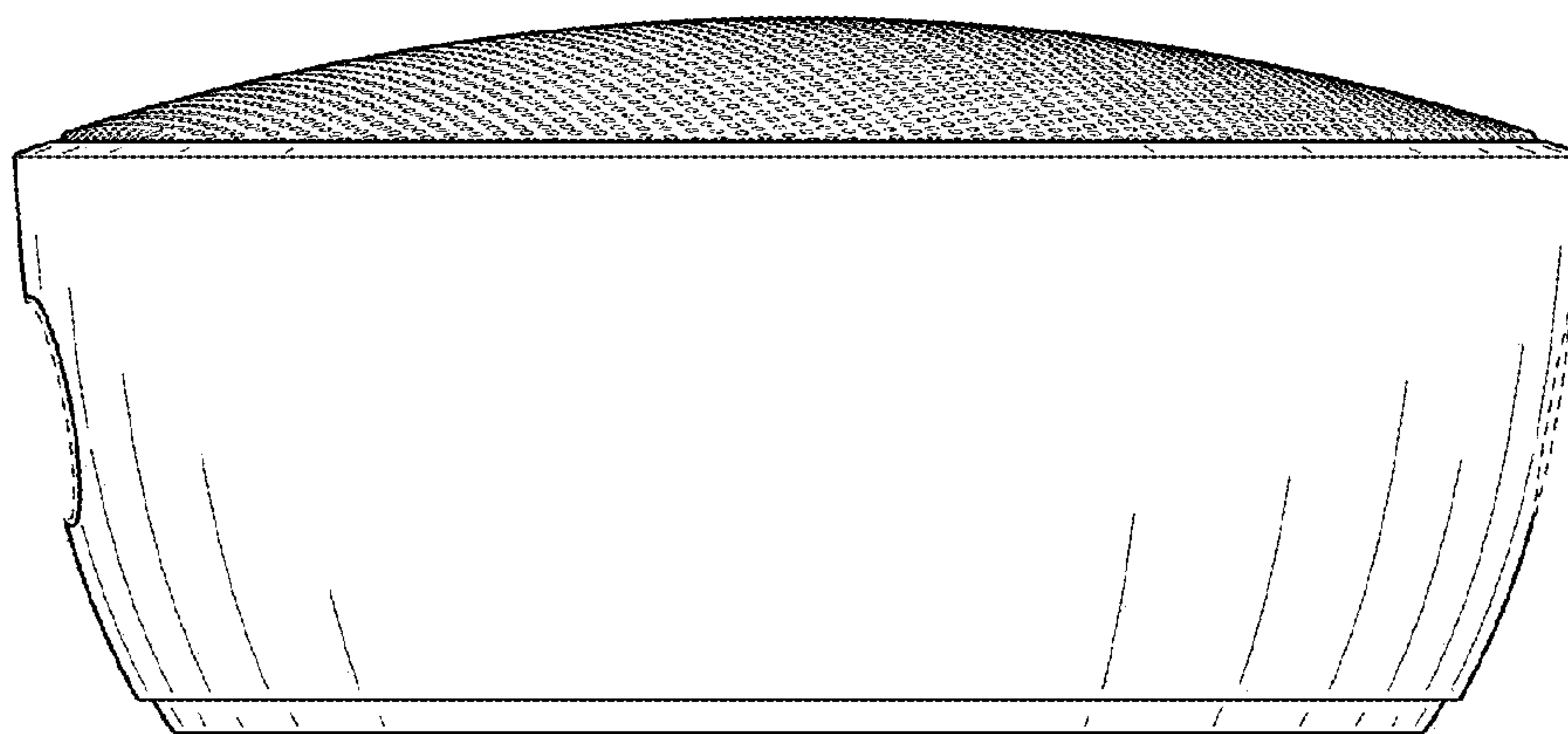


FIG. 5

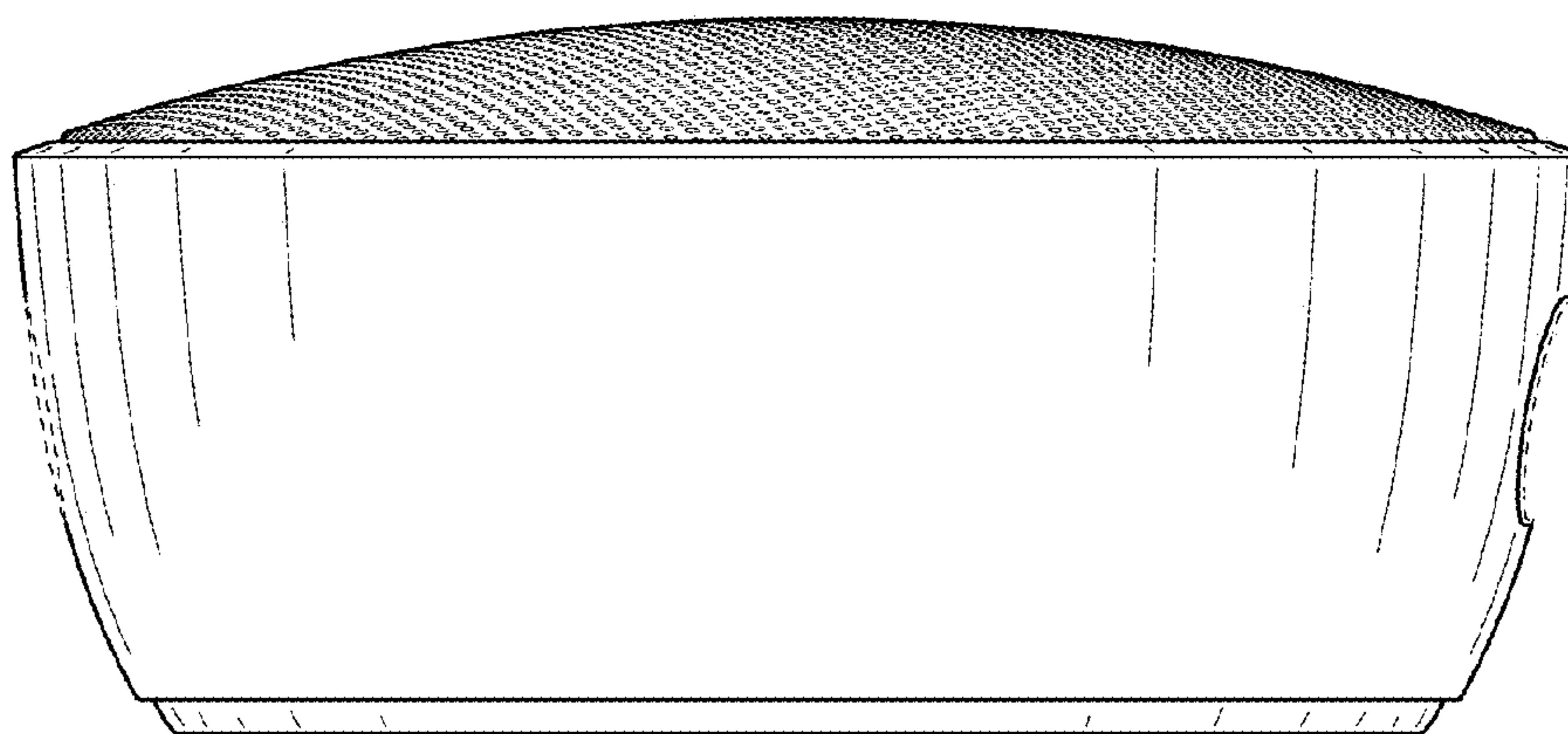


FIG. 6



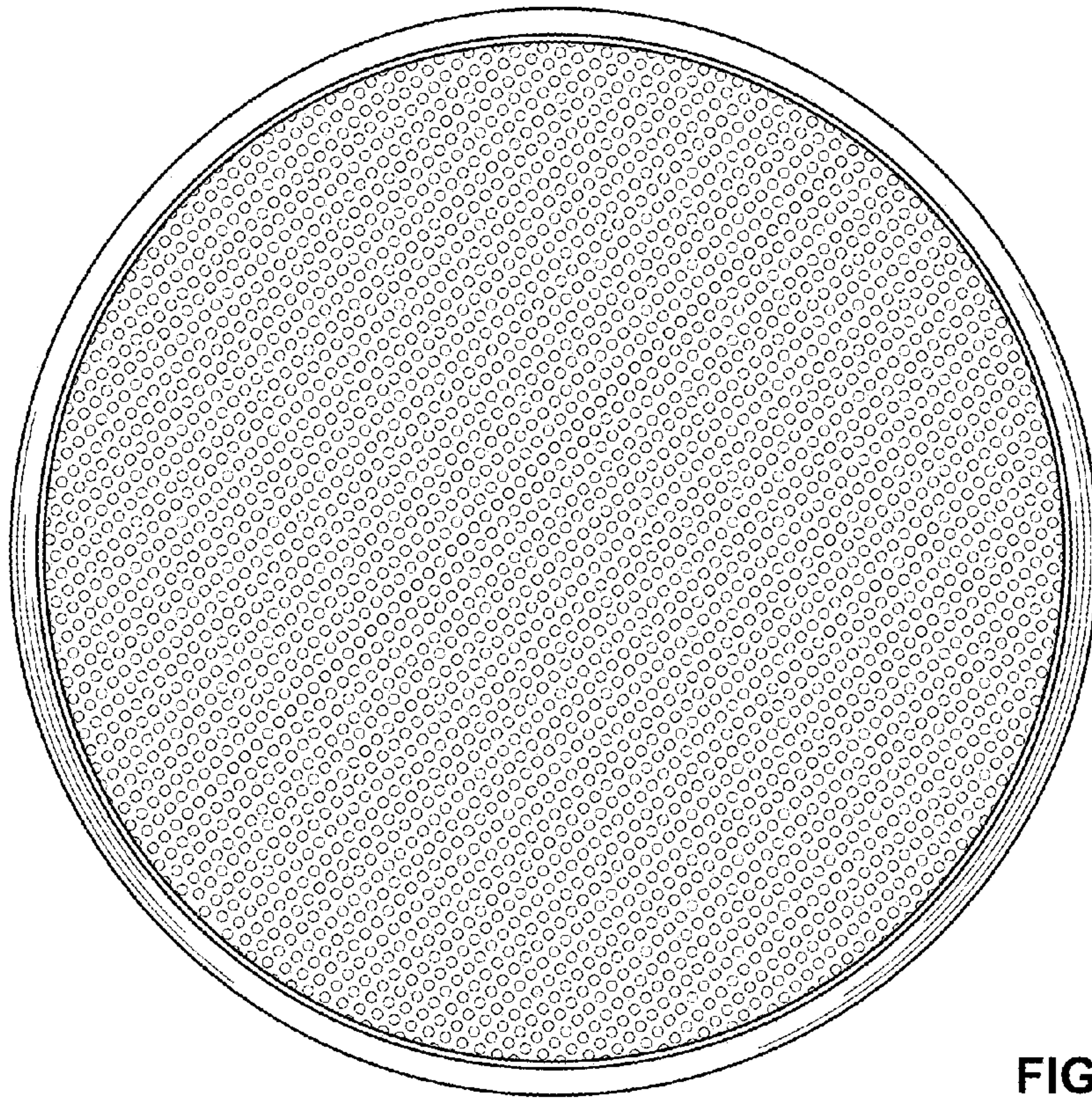


FIG. 7

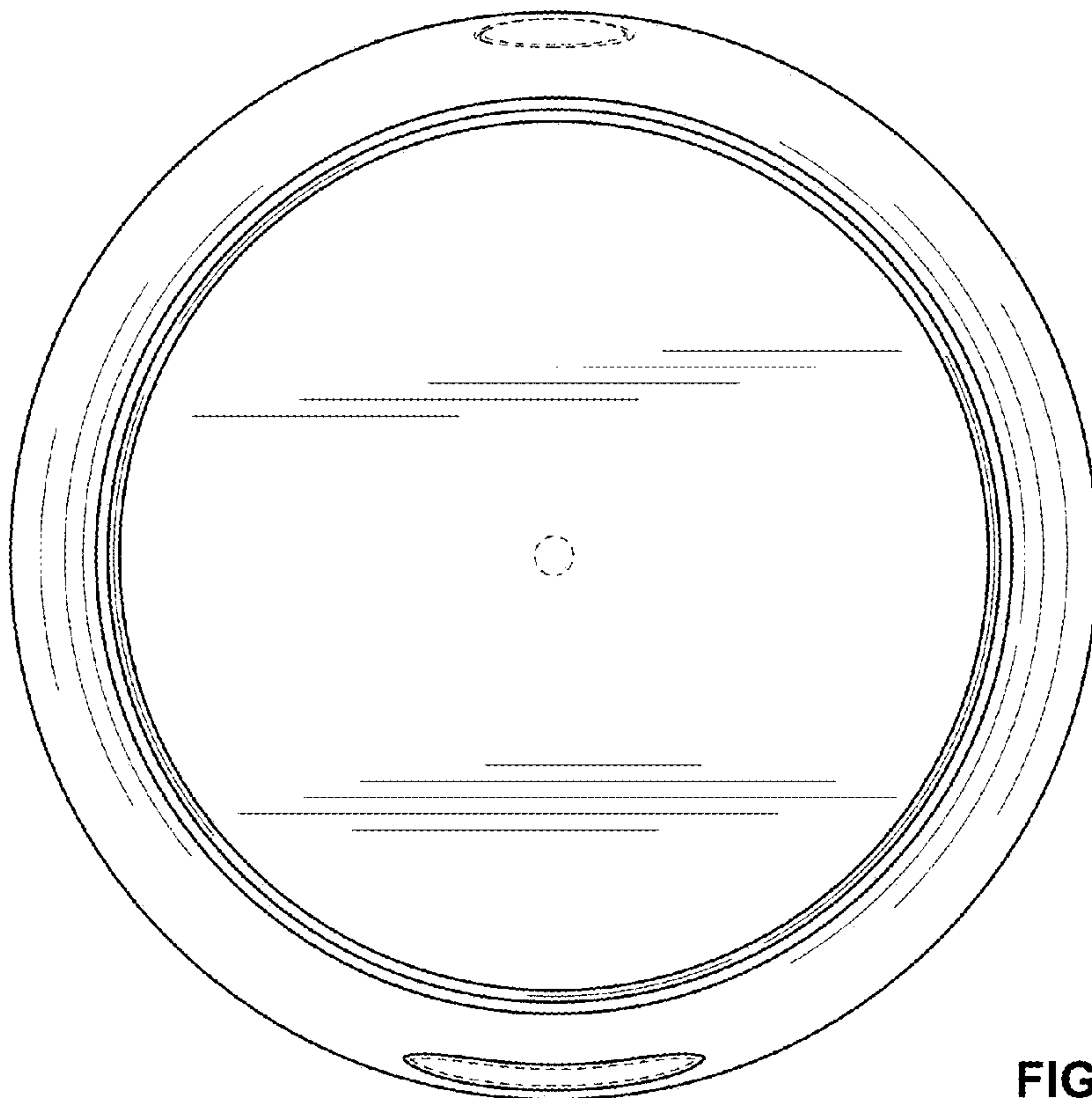


FIG. 8