



US00D756944S

(12) **United States Design Patent**
David et al.

(10) **Patent No.:** **US D756,944 S**
(45) **Date of Patent:** **** May 24, 2016**

(54) **SINGLE SCREEN TELEVISION WITH
TRANSPARENT SIDES AND BACK**

(71) Applicant: **Dynamic Systems Limited**, Kingstown
(VC)

(72) Inventors: **Alki Andrew David**, Beverly Hills, CA
(US); **James Lamar Jacobs**, Poway, CA
(US)

(**) Term: **14 Years**

(21) Appl. No.: **29/499,280**

(22) Filed: **Aug. 13, 2014**

(51) **LOC (10) Cl.** **14-03**

(52) **U.S. Cl.**
USPC **D14/126**

(58) **Field of Classification Search**
USPC D14/125-134, 239, 371, 136, 374-377,
D14/440, 450, 448, 336, 342, 159; 312/7.2;
348/836, 838, 180, 184, 325, 739;
248/917-924, 465; 345/104, 133, 156,
345/168, 87, 173; D21/329, 515, 577, 622,
D21/333, 433, 448, 452, 450, 331, 505;
D10/15, 26; 446/484, 175, 356;
D6/477, 479, 300

CPC ... G06F 1/1601; G06F 1/1643; H05K 5/0004;
H05K 5/0017; H05K 5/02; H05K 5/0217

See application file for complete search history.

(56) **References Cited**

U.S. PATENT DOCUMENTS

3,727,000 A 4/1973 Lollos
D244,980 S * 7/1977 Kippenbrock et al. D6/661.2
D297,930 S * 10/1988 Bohm D13/184
D311,003 S 10/1990 Isonaga
D315,556 S 3/1991 Lim
D328,742 S 8/1992 Kennedy
D342,514 S 12/1993 Gilmore

D349,693 S * 8/1994 Brossardt D14/302
5,590,021 A * 12/1996 Register 248/923
5,865,519 A 2/1999 Maass
D409,351 S * 5/1999 Ha D99/28
D415,736 S 10/1999 Witte
D430,867 S * 9/2000 Smith et al. D14/308
D544,848 S 6/2007 Marz et al.
D565,527 S 4/2008 Riggs
D593,046 S * 5/2009 Pozin et al. D14/127
7,883,212 B2 2/2011 O'Connell et al.
8,034,263 B2 10/2011 Maass
D717,342 S * 11/2014 Berk et al. D14/496
D722,704 S * 2/2015 Denny D25/16
D725,647 S * 3/2015 Williams D14/307
D736,733 S * 8/2015 David et al. D14/126
2012/0002288 A1 1/2012 Maass

OTHER PUBLICATIONS

Hologram USA. <http://www.hologramusa.com/products-services/mobile-hologram-displays>. Publication date unknown. Accessed Dec. 15, 2014.

(Continued)

Primary Examiner — Raphael Barkai
(74) *Attorney, Agent, or Firm* — Dinsmore & Shohl LLP

(57) **CLAIM**

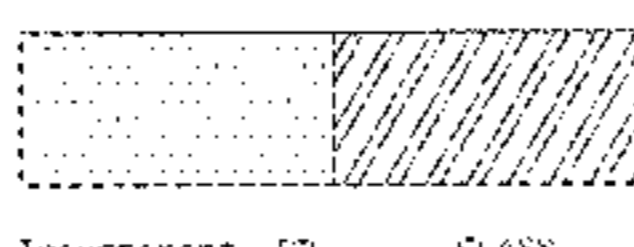
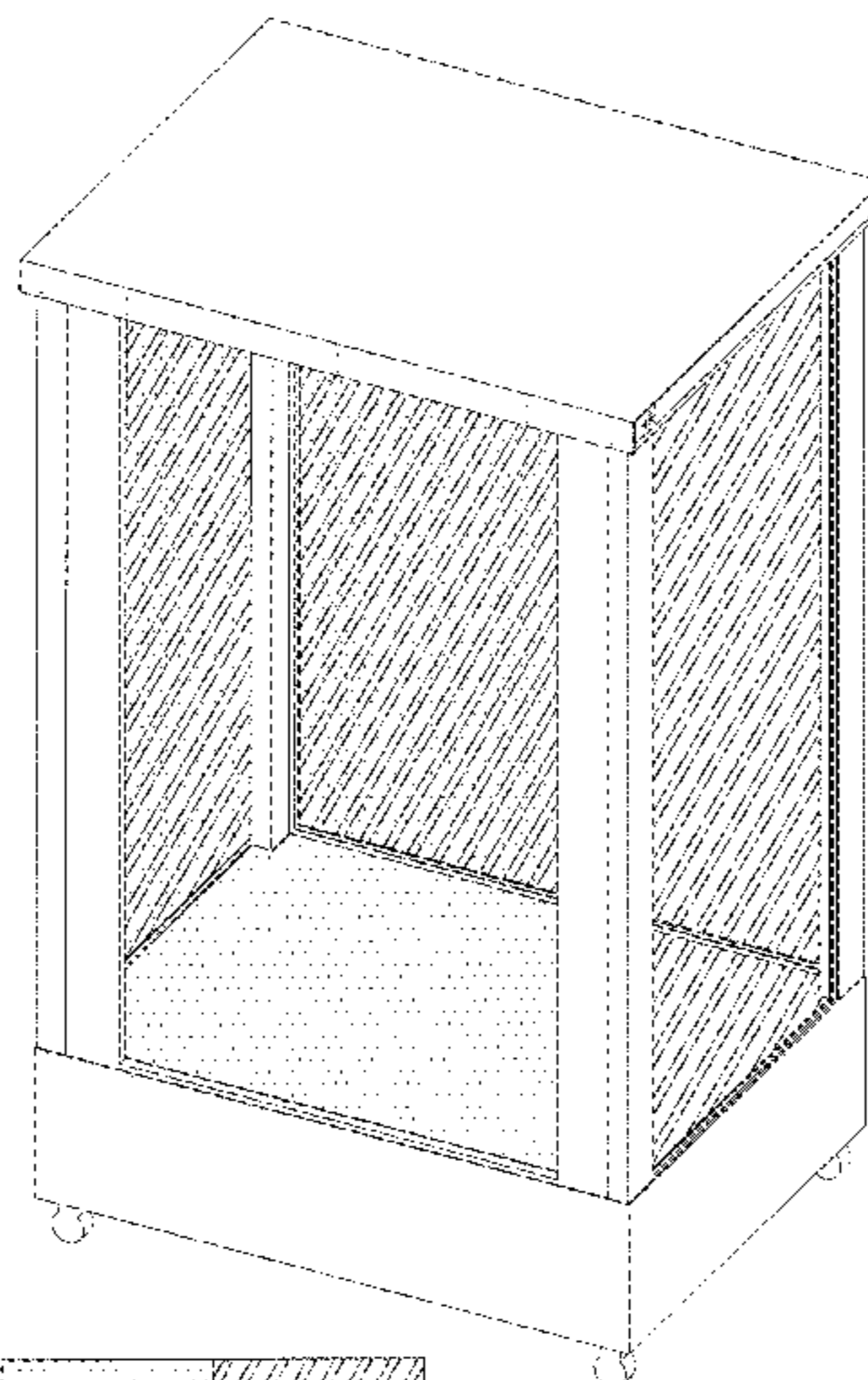
The ornamental designs for a single screen television with transparent sides and back, as shown and described.

DESCRIPTION

The present specification cross-references U.S. Design application Ser. No. 29/499,278 for Four Screen Television, filed concurrently with the Design Patent Application.

FIG. 1 is a top view.
FIG. 2 is a front view.
FIG. 3 is an isometric view.
FIG. 4 is a left side view.
FIG. 5 is a rear view; and,
FIG. 6 is a right view.

1 Claim, 6 Drawing Sheets



(56)

References Cited

OTHER PUBLICATIONS

Cohen, David S. 3D TV: Not Dead Yet, and Getting Better. Variety, Jan. 14, 2014. Accessed Dec. 15, 2014.

Wikipedia. Autostereoscopy. <http://web.archive.org/web/20140721201721/http://en.wikipedia.org/wiki/Autostereoscopy>. Published Jul. 21, 2014. Accessed Dec. 15, 2014.

Amazon.com: How Does 3D TV Work? <http://web.archive.org/web/20140805224120/http://www.amazon.com/gp/feature.html?ie=UTF8&docId=1000492751>. Published Aug. 5, 2014. Accessed Dec. 15, 2014.

Wikipedia. Pepper's Ghost. http://web.archive.org/web/20140802140724/http://en.wikipedia.org/wiki/Pepper%27s_ghost. Published Aug. 2, 2014. Accessed Dec. 15, 2014.

NChant3D. <http://web.archive.org/web/20140517170752/http://nchant3d.com>. Published May 17, 2014. Accessed Dec. 16, 2014.

Musion. <http://web.archive.org/web/20140728215629/http://musion.co.uk>. Published Jul. 28, 2014. Accessed Dec. 16, 2014.

Notice of Allowance dated Nov. 25, 2014 relating to U.S. Appl. No. 29/499,278, filed Aug. 13, 2014.

* cited by examiner

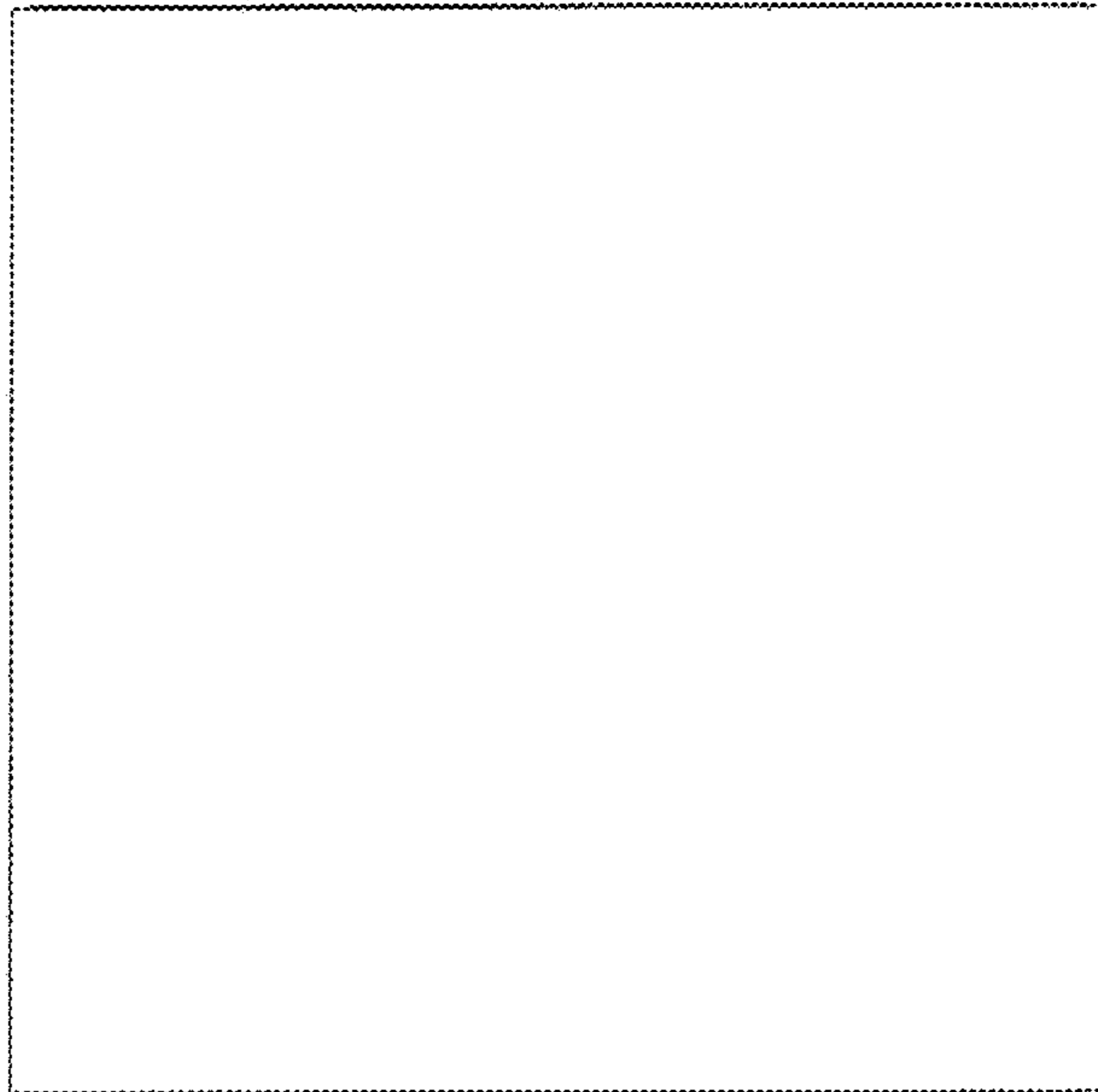
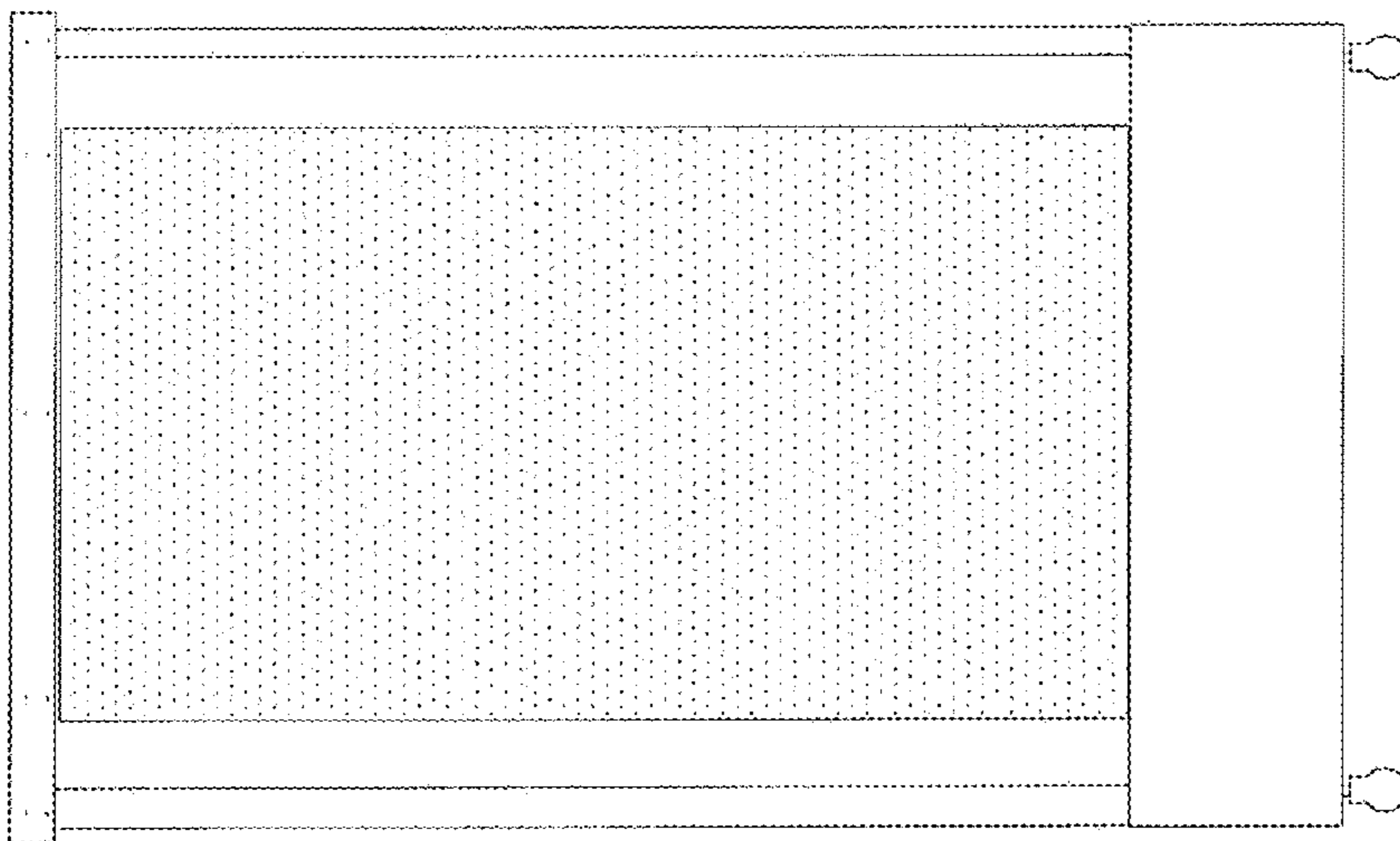


FIGURE 1




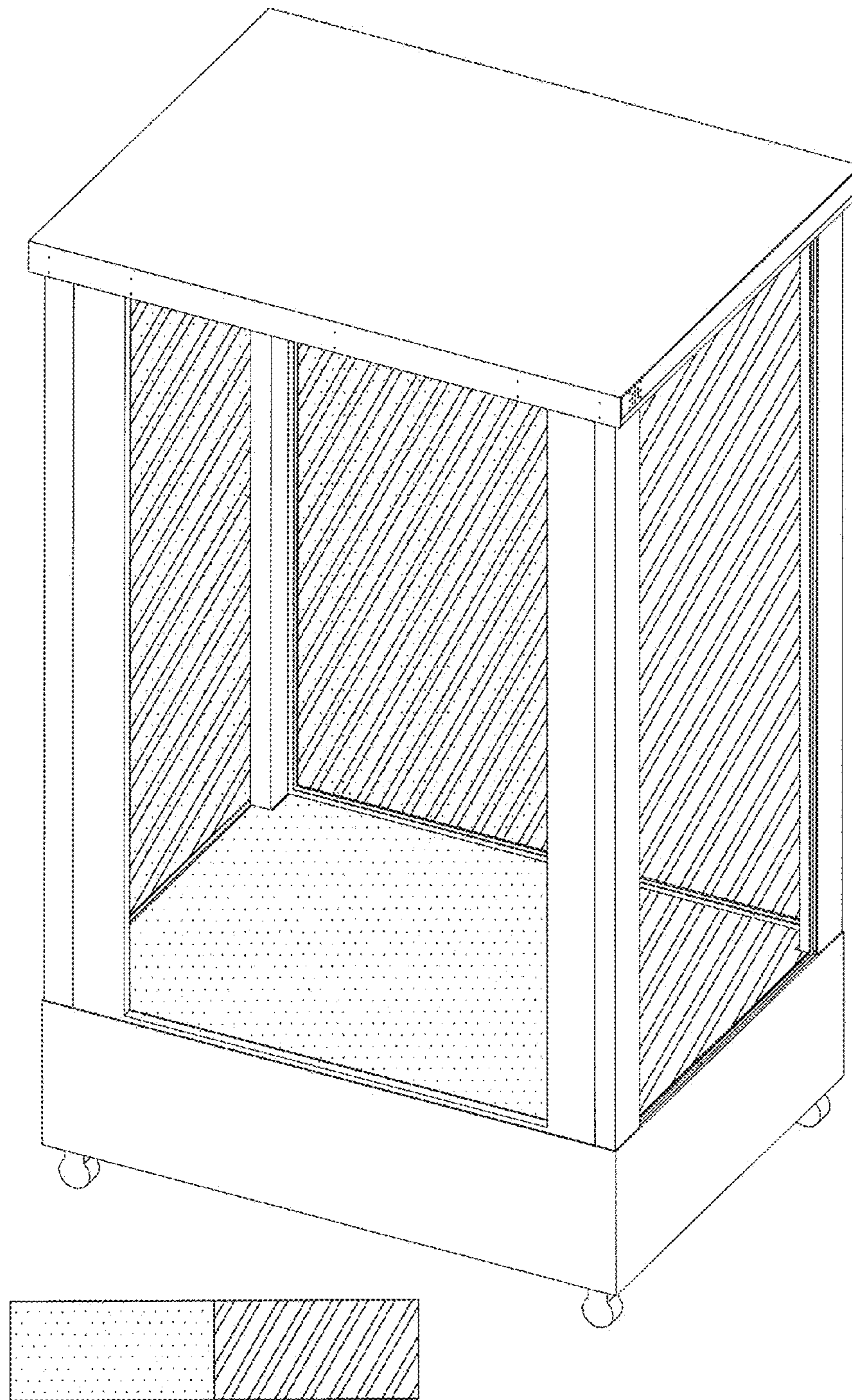
 Transparent LCD

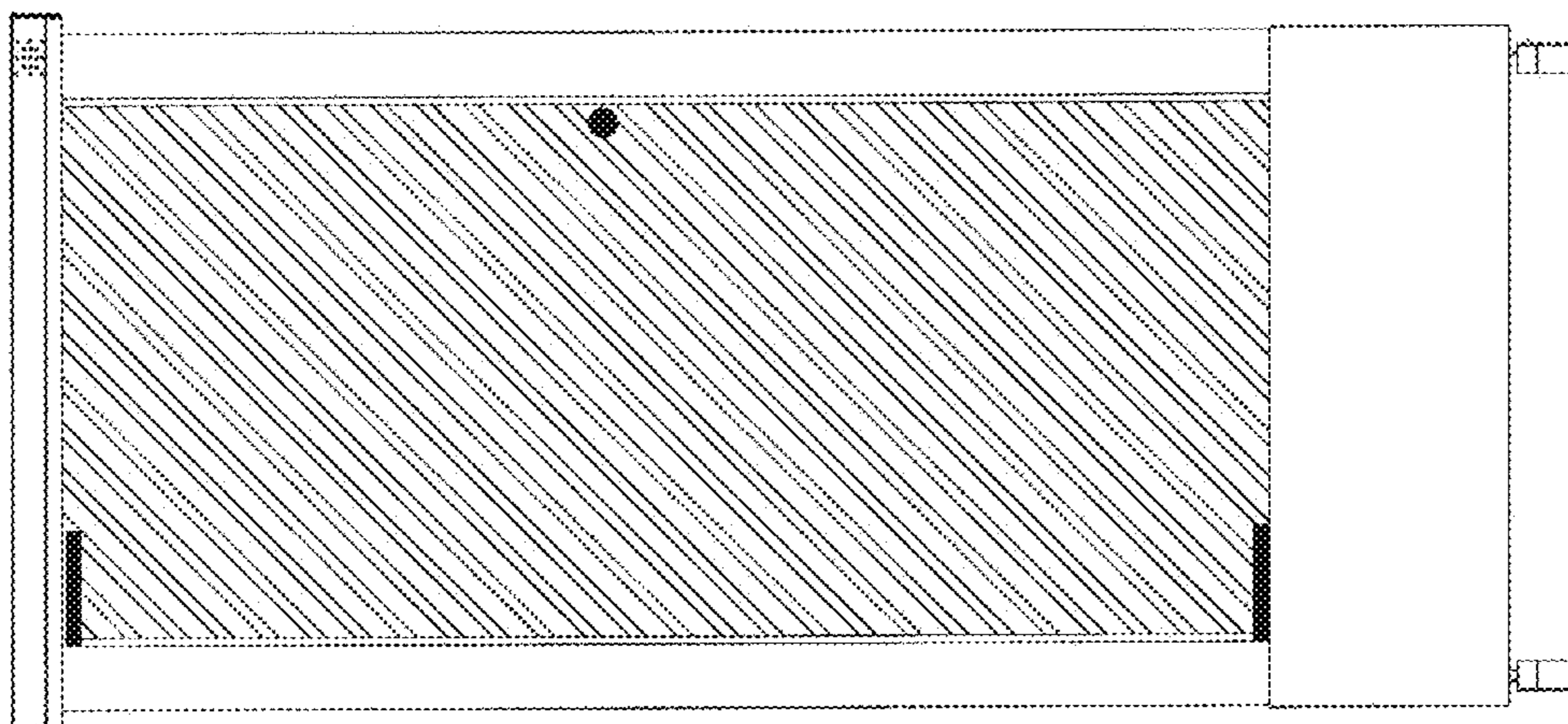
FIGURE 2



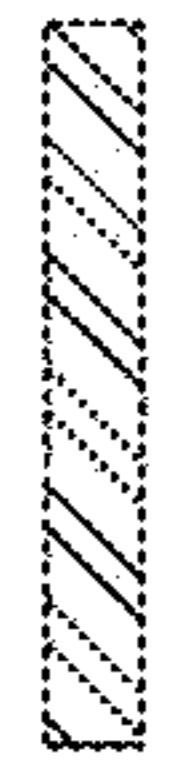
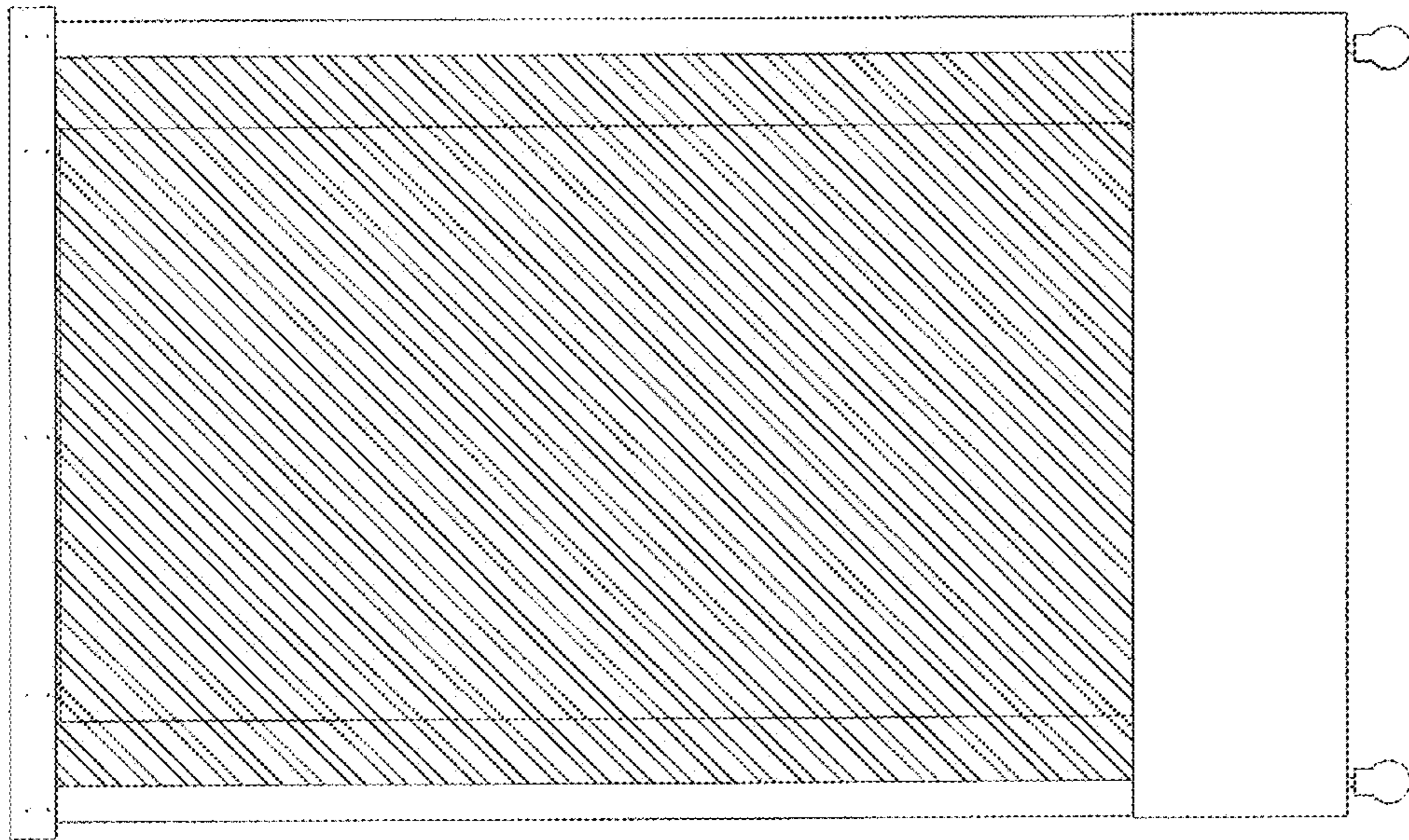
Transparent LCD

GLASS

FIGURE 3



GLASS
FIGURE 4



GLASS

FIGURE 5

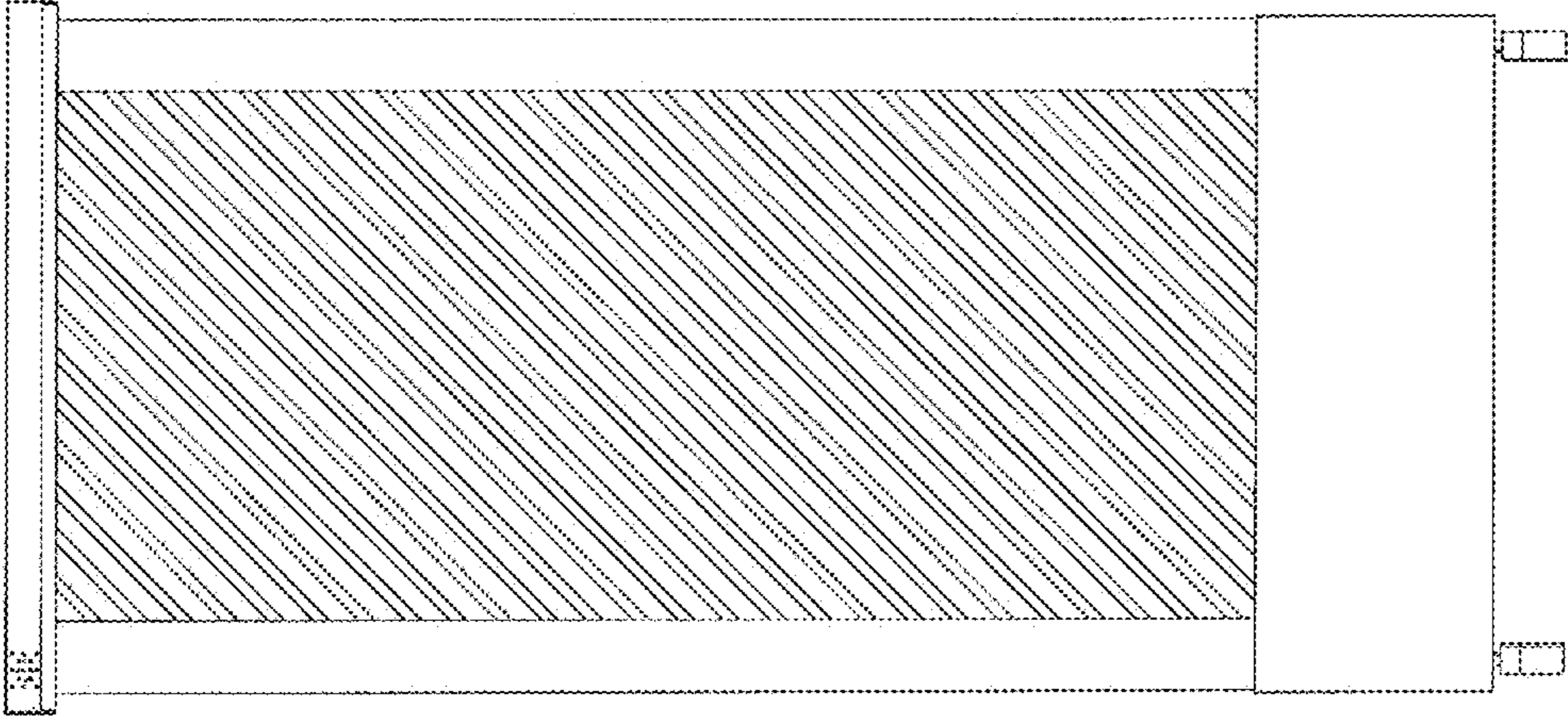


FIGURE 6