

US00D756943S

(12) **United States Design Patent**
Epstein et al.

(10) **Patent No.:** **US D756,943 S**
(45) **Date of Patent:** **** May 24, 2016**

- (54) **POWER SUPPLY**
- (71) Applicant: **Comcast Cable Communications, LLC**, Philadelphia, PA (US)
- (72) Inventors: **Neil Epstein**, Havertown, PA (US);
Michael Jou, Philadelphia, PA (US);
Julie Biron Maletz, Philadelphia, PA (US); **Thomas Loretan**, Philadelphia, PA (US)
- (73) Assignee: **Comcast Cable Communications, LLC**, Philadelphia, PA (US)
- (**) Term: **14 Years**
- (21) Appl. No.: **29/510,151**
- (22) Filed: **Nov. 25, 2014**
- (51) **LOC (10) Cl.** **13-99**
- (52) **U.S. Cl.**
USPC **D13/184**
- (58) **Field of Classification Search**
USPC D13/103, 110, 112, 122-133, 158-163,
D13/184, 199; D21/504, 513, 516; D6/631,
D6/632, 663, 664, 667; 312/223.1
CPC .. H05B 33/0869; H05B 37/029; H01R 13/00;
H01R 13/6658; H02B 1/52; H02B 1/202;
H01B 17/00; H01B 17/56; H02K 33/16;
F24F 13/20; H01M 2/1077; H05K 7/183;
H05K 9/0062
See application file for complete search history.

(56) **References Cited**

U.S. PATENT DOCUMENTS

- 3,247,312 A * 4/1966 Alessi H05K 9/0062
174/357
- D324,965 S * 3/1992 Nelsen D6/663
- D339,632 S * 9/1993 Immel D23/351
- D379,004 S * 4/1997 Keijser D13/184
- D387,035 S * 12/1997 Hartel D13/184
- D390,835 S * 2/1998 Mayfield, III D13/184
- D391,232 S * 2/1998 Hartel D13/184

- D427,454 S * 7/2000 Munch D13/184
- D476,299 S * 6/2003 Witte D13/184
- D623,433 S * 9/2010 Richardson D6/663
- D645,427 S * 9/2011 Delakowitz D13/184
- D668,078 S * 10/2012 Daino D6/668.2
- D686,015 S * 7/2013 Arko D6/703
- D697,906 S * 1/2014 Morooka D13/184
- D706,228 S * 6/2014 Ishiura D13/110
- D710,636 S * 8/2014 Lim D6/703
- D711,310 S * 8/2014 Sanders D13/102
- D711,673 S * 8/2014 Lim D6/703
- D743,358 S * 11/2015 Cagliani D13/184
- 2002/0153814 A1 * 10/2002 Robideau H05K 7/183
312/265.4
- 2007/0210679 A1 * 9/2007 Adducci H02B 1/202
312/7.2
- 2007/0278915 A1 * 12/2007 Conrardy H01M 2/1077
312/257.1
- 2014/0117825 A1 * 5/2014 Lee F24F 13/20
312/237
- 2014/0229398 A1 * 8/2014 Conrardy H01M 2/1077
705/330

* cited by examiner

Primary Examiner — Karen S Acker

Assistant Examiner — Carmen Lado

(74) *Attorney, Agent, or Firm* — Banner & Witcoff, Ltd.

(57) **CLAIM**

The ornamental design for a power supply, as shown and described.

DESCRIPTION

FIG. 1 is a perspective view of a power supply showing our new design;

FIG. 2 is a front view thereof;

FIG. 3 is a rear view thereof;

FIG. 4 is a right side view thereof;

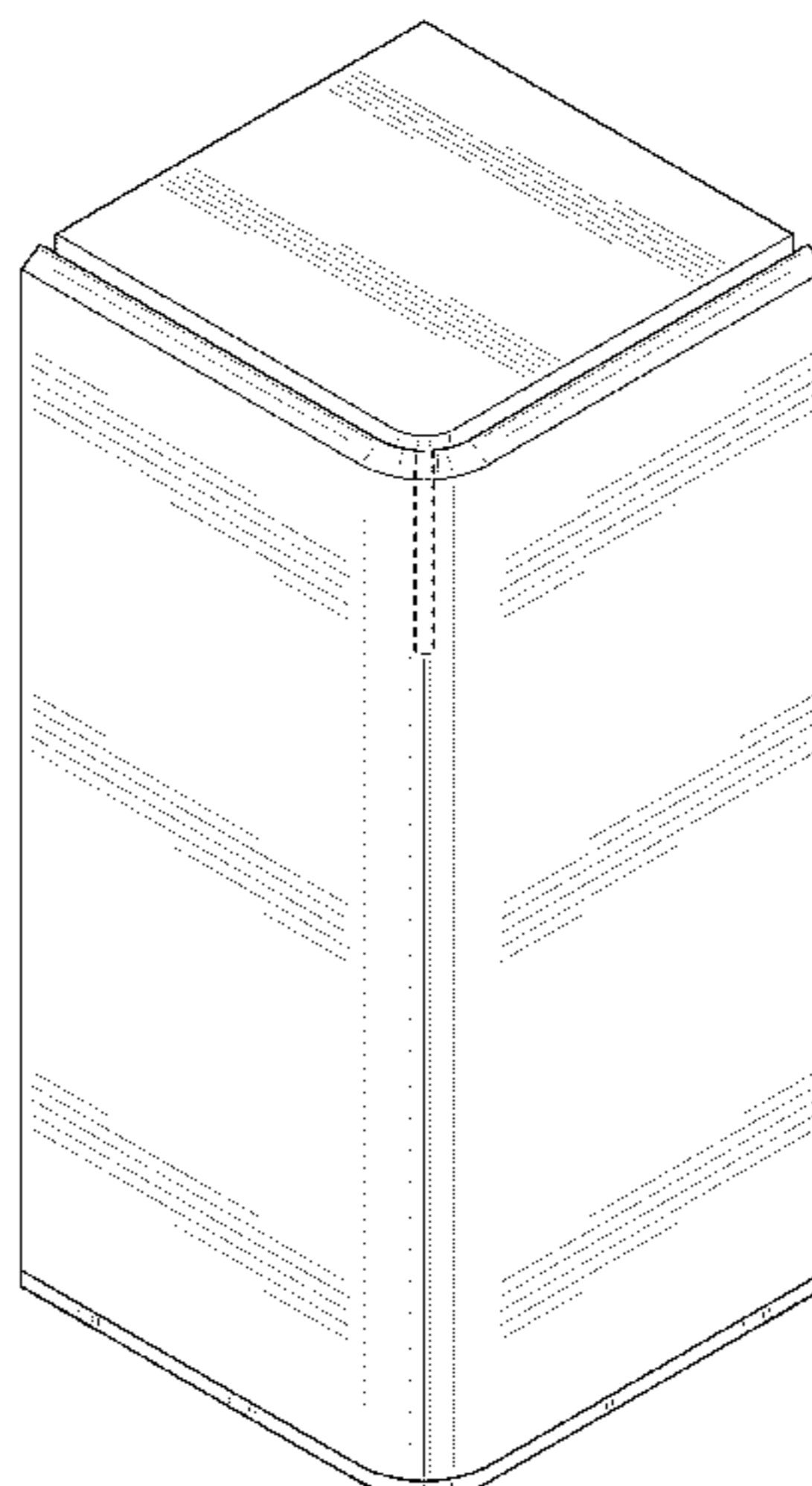
FIG. 5 is a left side view thereof;

FIG. 6 is a top view thereof; and,

FIG. 7 is bottom view thereof.

The broken line showing of various features of the power supply are for environmental purposes only and form no part of the claimed design.

1 Claim, 6 Drawing Sheets



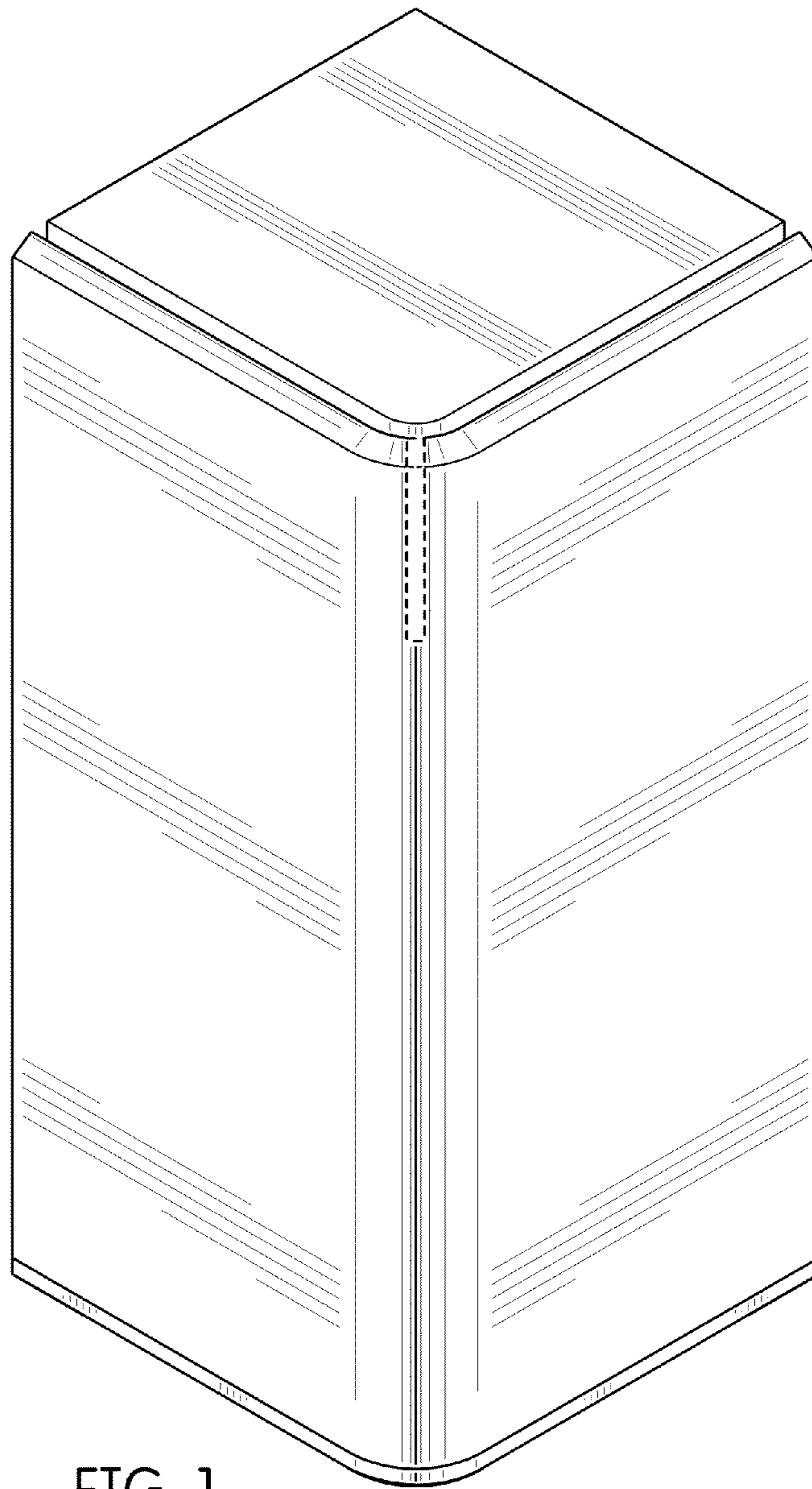


FIG. 1

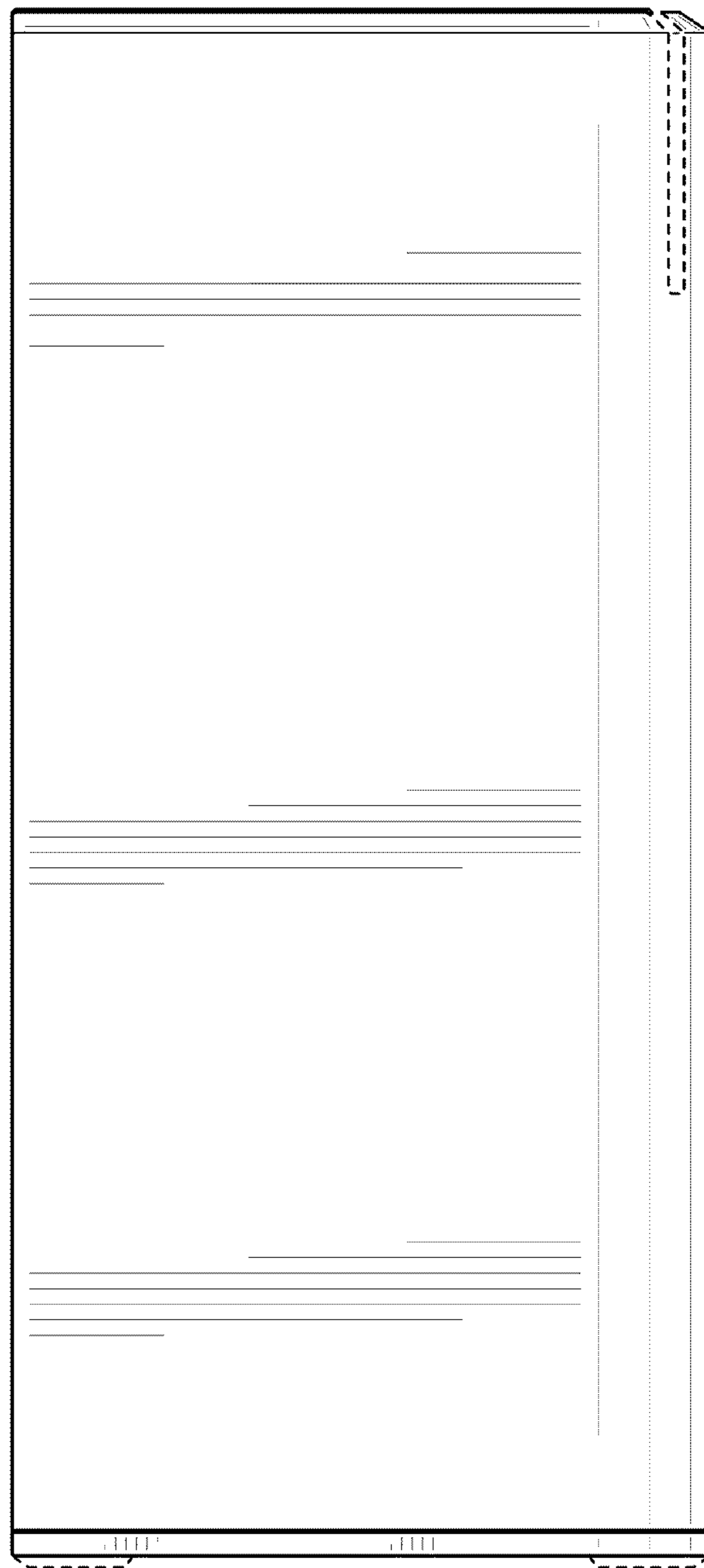


FIG. 2

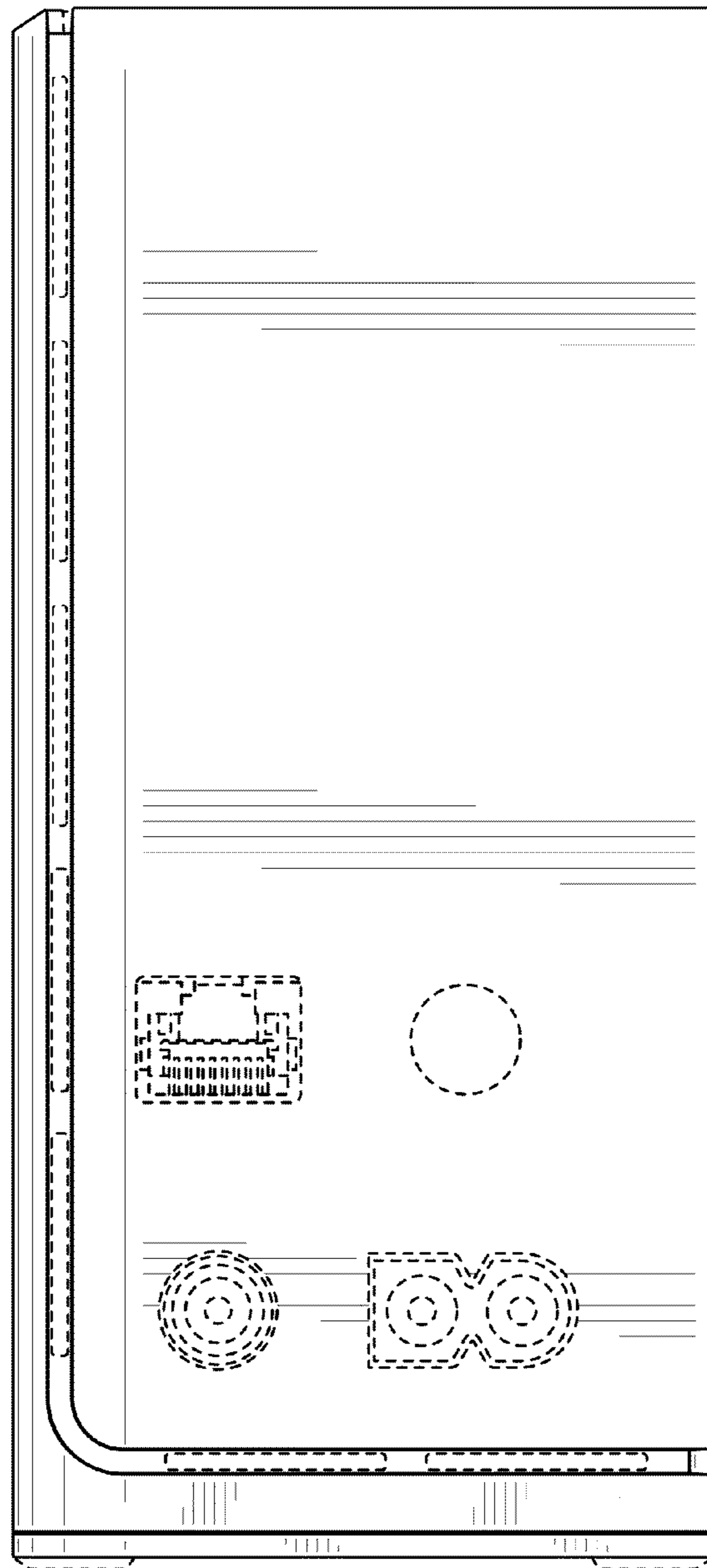


FIG. 3

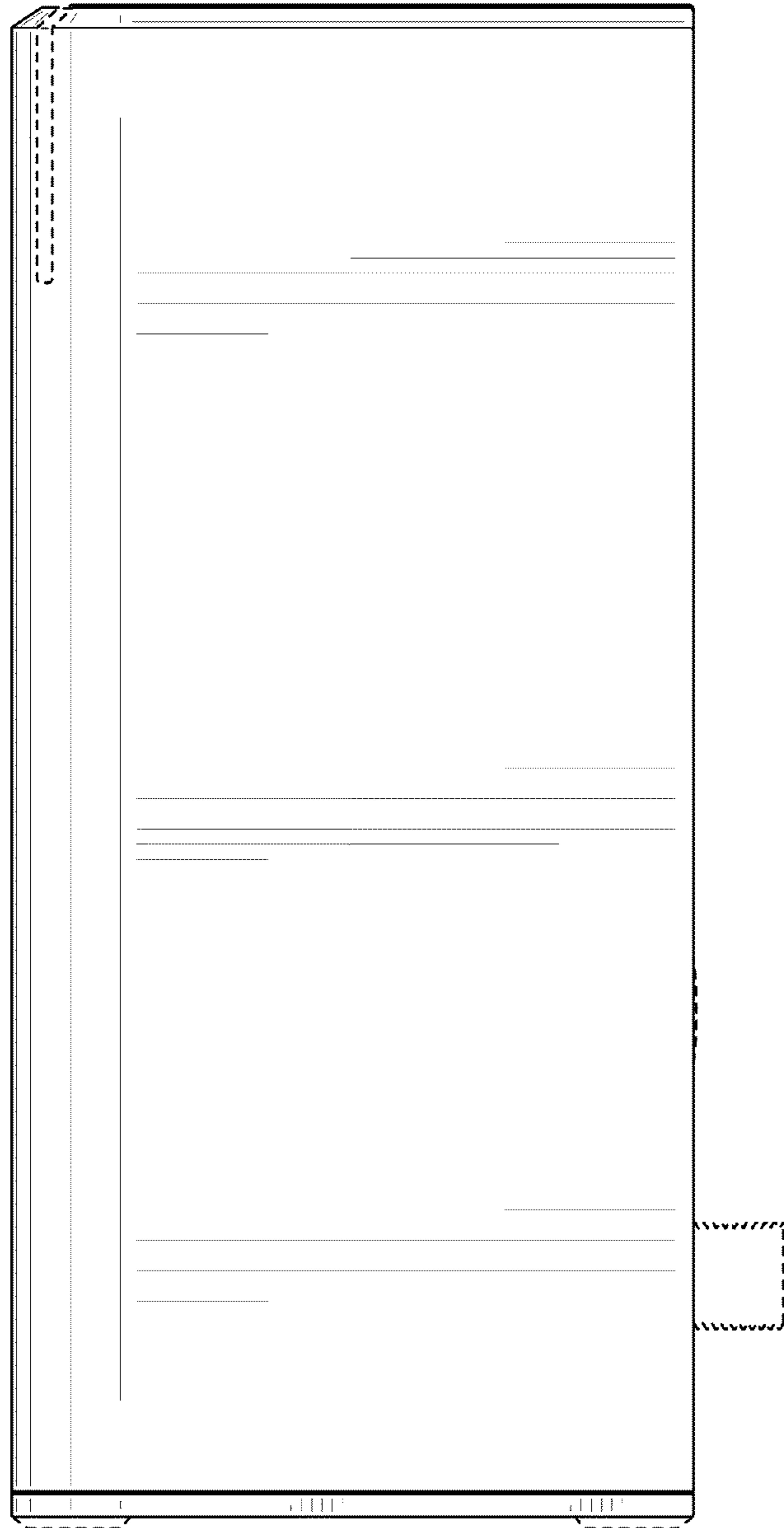


FIG. 4

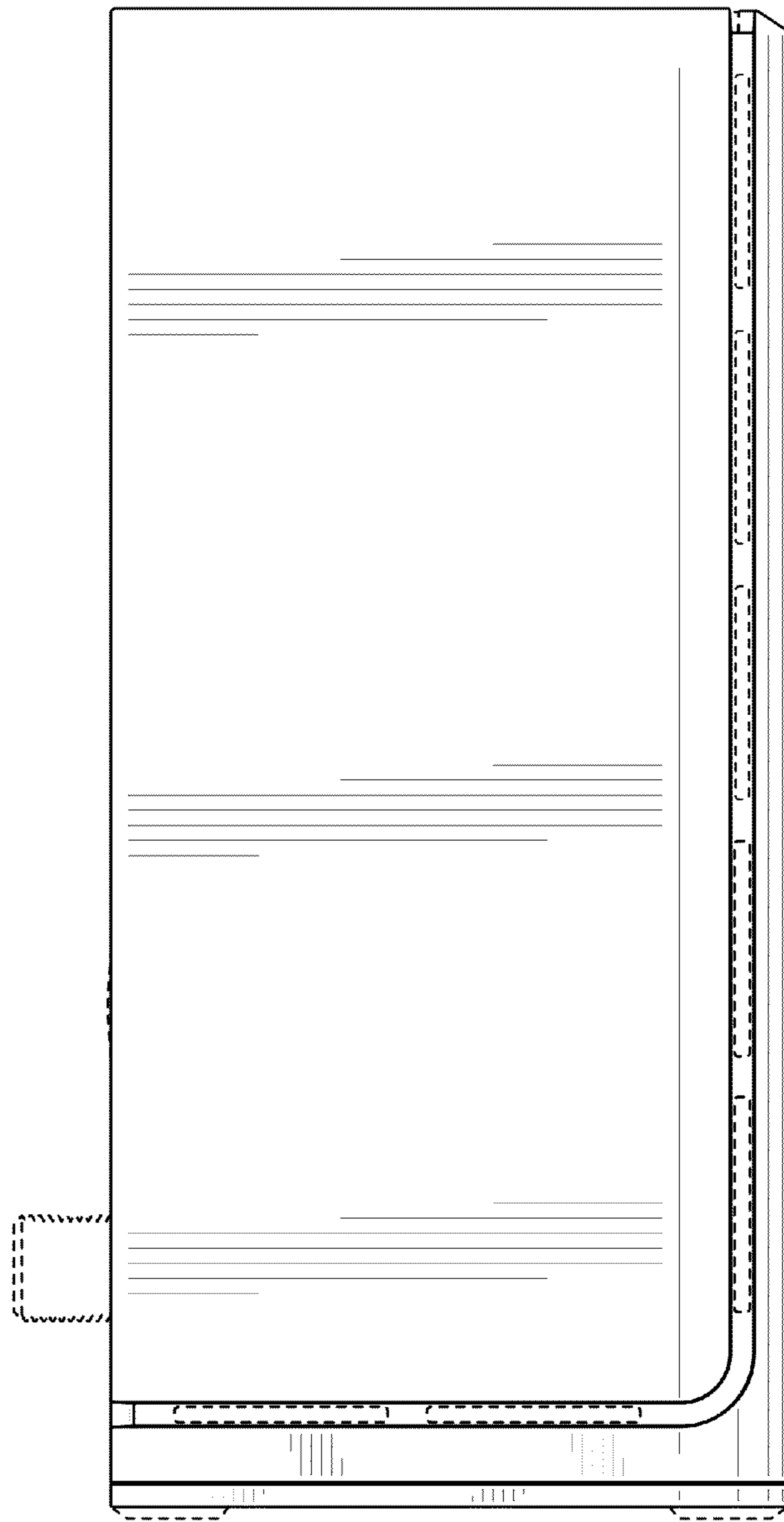


FIG. 5

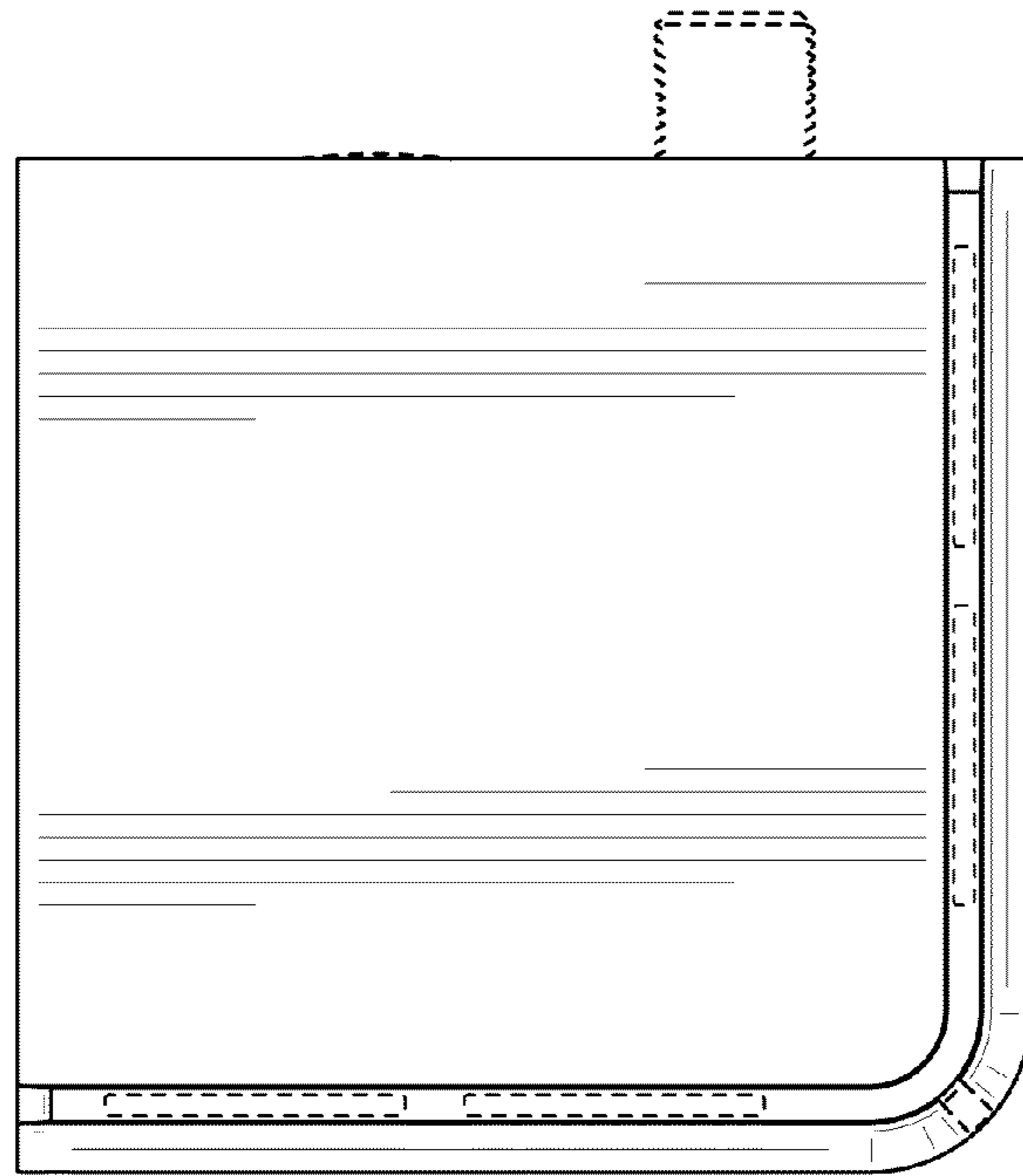


FIG. 6

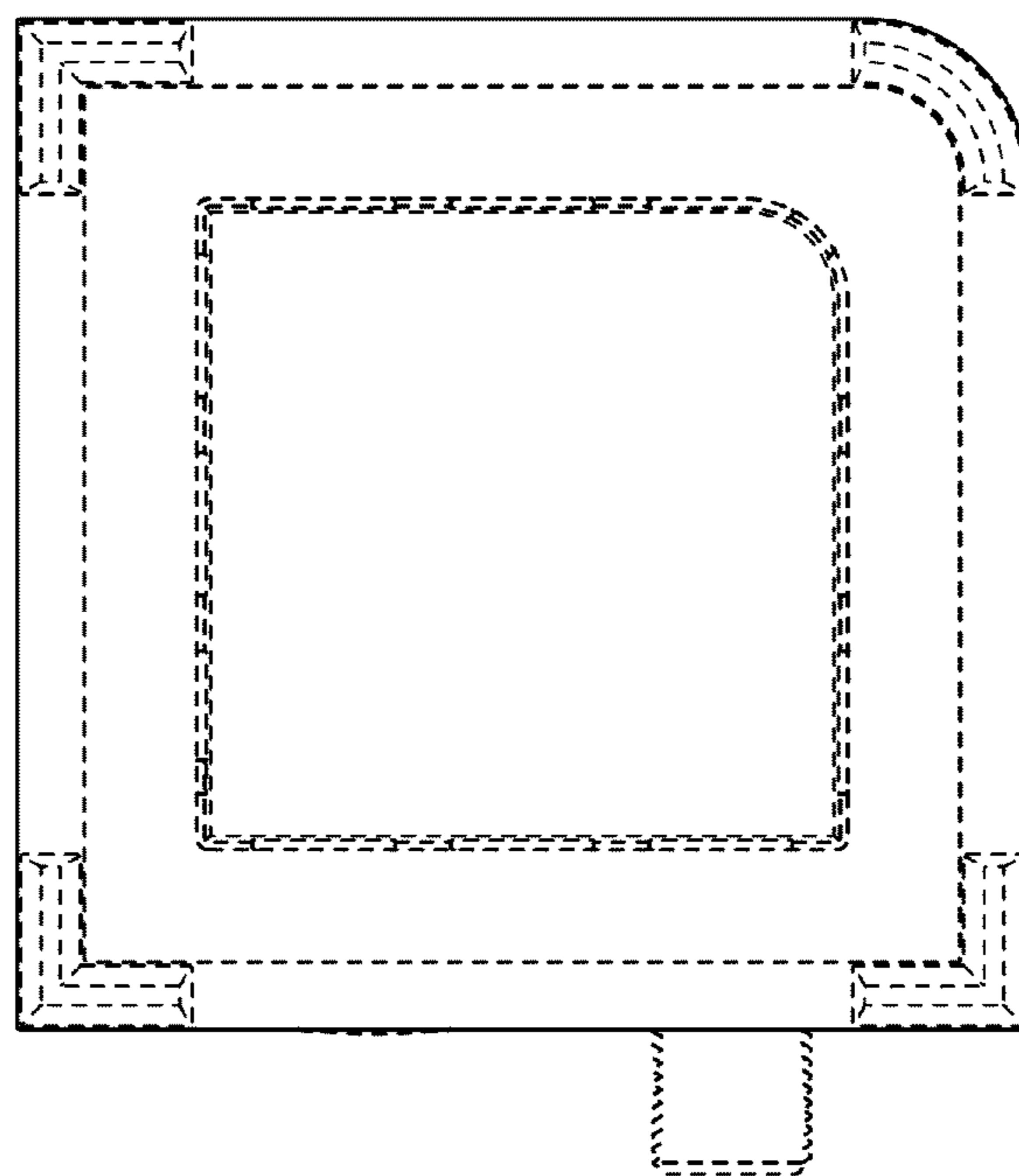


FIG. 7