



US00D756938S

(12) **United States Design Patent**
Flegel

(10) **Patent No.:** **US D756,938 S**

(45) **Date of Patent:** **** May 24, 2016**

(54) **MANUAL TRANSFER SWITCH**

(71) Applicant: **Reliance Controls Corporation,**
Racine, WI (US)

(72) Inventor: **David D. Flegel,** Wind Point, WI (US)

(73) Assignee: **Reliance Controls Corporation,**
Racine, WI (US)

(**) Term: **15 Years**

(21) Appl. No.: **29/533,774**

(22) Filed: **Jul. 22, 2015**

(51) **LOC (10) Cl.** **13-03**

(52) **U.S. Cl.**
USPC **D13/158; D13/184**

(58) **Field of Classification Search**
USPC D13/110, 152, 156, 158, 160, 162, 164,
D13/177, 184
CPC H02B 1/066; H02B 1/26; H02B 1/283;
H02B 1/38; H02B 1/44; H02B 1/46; H02B
1/48; H02B 1/50; H02G 3/08; H02G 3/081;
H02G 3/083; H02G 3/086; H02G 3/10;
H02G 3/14
See application file for complete search history.

(56) **References Cited**

U.S. PATENT DOCUMENTS

D76,275	S *	9/1928	Wilms	D13/177
D332,603	S *	1/1993	Rumbles	D13/162
D360,620	S *	7/1995	Gehrs	D13/152
5,761,027	A *	6/1998	Flegel	H02B 1/056 361/664
D400,183	S *	10/1998	Flegel	D13/164
D404,715	S *	1/1999	Almond	D13/152
D417,439	S *	12/1999	Ropponen	D13/184
D425,490	S	5/2000	Flegel		
6,163,449	A	12/2000	Flegel		
6,504,268	B1 *	1/2003	Flegel	H02B 1/50 174/59
6,534,735	B1 *	3/2003	Czarnecki	H02B 1/066 200/293

(Continued)

Primary Examiner — Selina Sikder

(74) *Attorney, Agent, or Firm* — Boyle Fredrickson, S.C.

(57) **CLAIM**

The ornamental design of a manual transfer switch, as shown and described.

DESCRIPTION

FIG. 1 is an isometric view of a first embodiment of a manual transfer switch incorporating my new design, wherein a cover of the manual transfer switch is shown in a closed position, and wherein the portions illustrated in phantom form no part of the claimed design;

FIG. 2 is a front elevation view thereof;

FIG. 3 is a rear elevation view thereof;

FIG. 4 is a right side elevation view thereof;

FIG. 5 is a left side elevation view thereof;

FIG. 6 is a top plan view thereof;

FIG. 7 is a bottom plan view thereof;

FIG. 8 is an isometric view similar to FIG. 1, showing a cover of the manual transfer switch in an open position;

FIG. 9 is a front elevation view thereof;

FIG. 10 is an isometric view of a second embodiment of a manual transfer switch incorporating any new design, wherein a cover of the manual transfer switch is shown in a closed position, and wherein the portions illustrated in phantom form no part of the claimed design;

FIG. 11 is a front elevation view thereof;

FIG. 12 is a rear elevation view thereof;

FIG. 13 is a right side elevation view thereof;

FIG. 14 is a left side elevation view thereof;

FIG. 15 is a top plan view thereof;

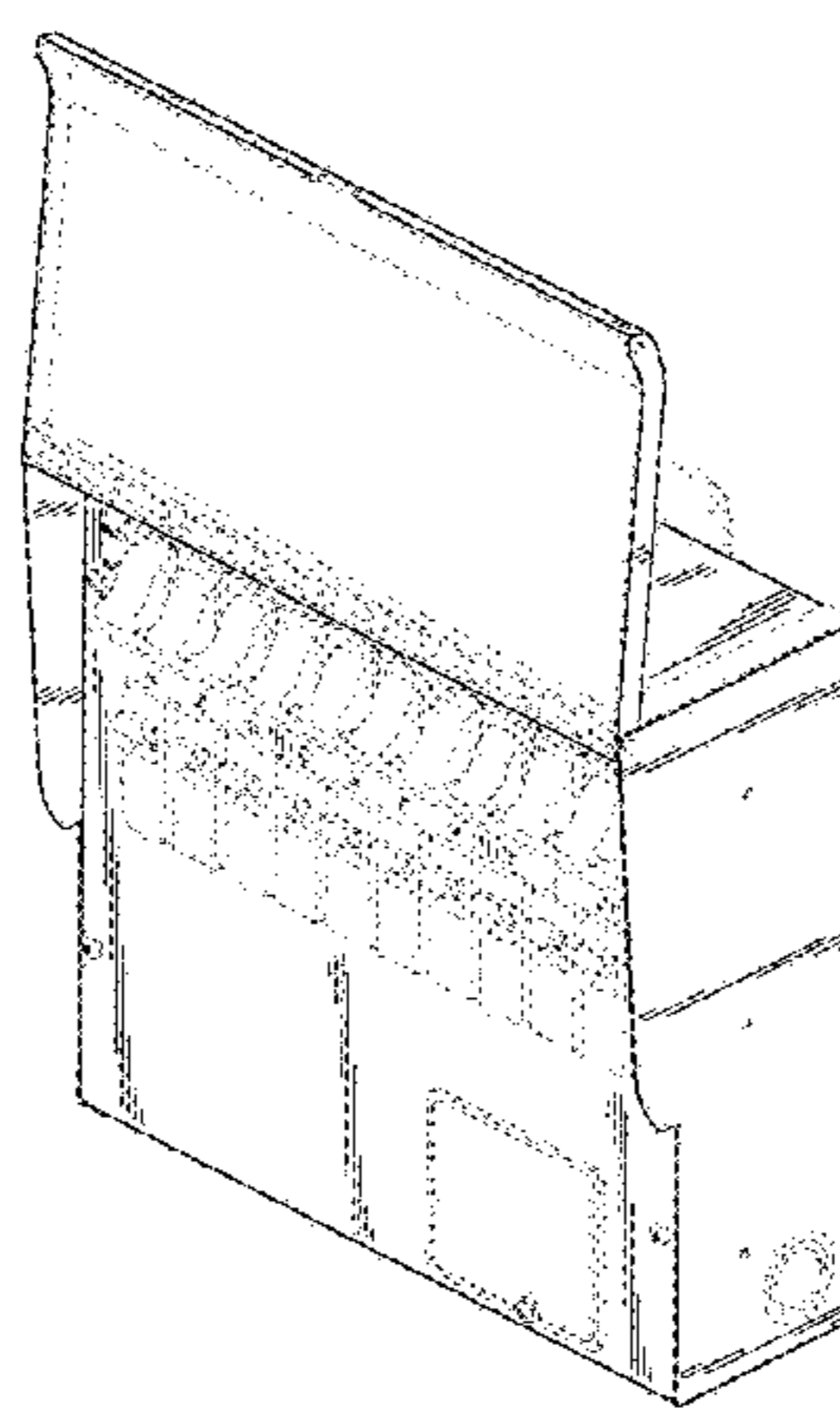
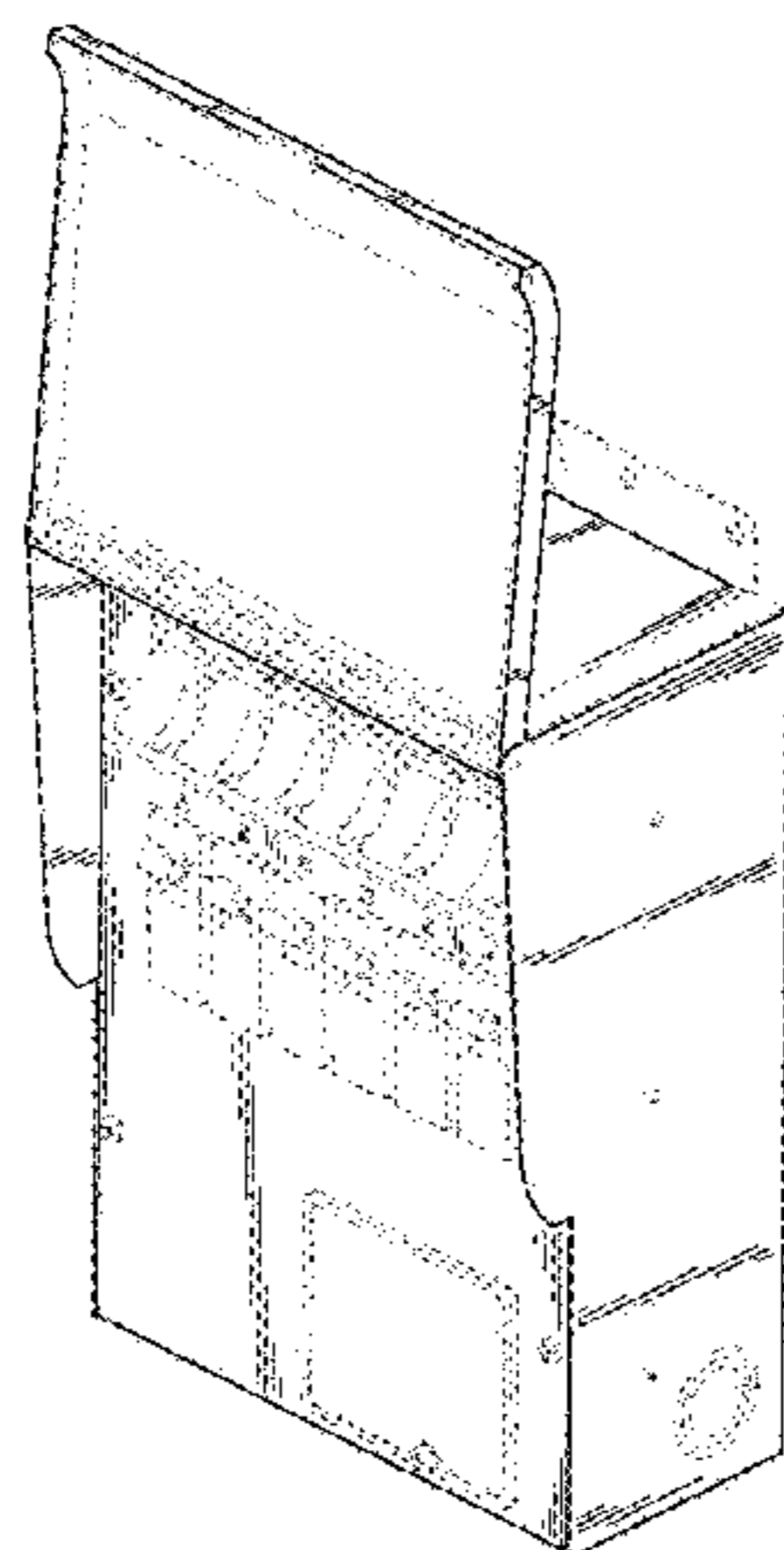
FIG. 16 is a bottom plan view thereof;

FIG. 17 is an isometric view similar to FIG. 10, showing a cover of the manual transfer switch in an open position; and,

FIG. 18 is a front elevation view thereof.

The broken line showing of the manual transfer switch is for illustrative purposes only and forms no part of the claimed design.

1 Claim, 14 Drawing Sheets



(56)

References Cited

U.S. PATENT DOCUMENTS

D563,324 S *	3/2008	Schnackenberg	D13/158	8,395,884 B1	3/2013	Czarnecki	
7,843,361 B2 *	11/2010	Schnackenberg	G08G 1/095	8,514,551 B2 *	8/2013	Cosley	H02B 1/32
			174/50.5				200/50.32
D629,365 S *	12/2010	Garcia De Vicuna	D13/152	8,559,167 B1	10/2013	Czarnecki	
D641,707 S	7/2011	Czarnecki et al.		8,563,883 B1 *	10/2013	Flegel	H02B 1/48
D648,282 S	11/2011	Czarnecki et al.					200/50.02
D669,440 S *	10/2012	Wu	D13/162	8,755,172 B1	6/2014	Czarnecki	
8,310,818 B1	11/2012	Czarnecki		8,885,328 B1	11/2014	Czarnecki	
				2011/0019365 A1 *	1/2011	Souligne	H02B 1/28
							361/724

* cited by examiner

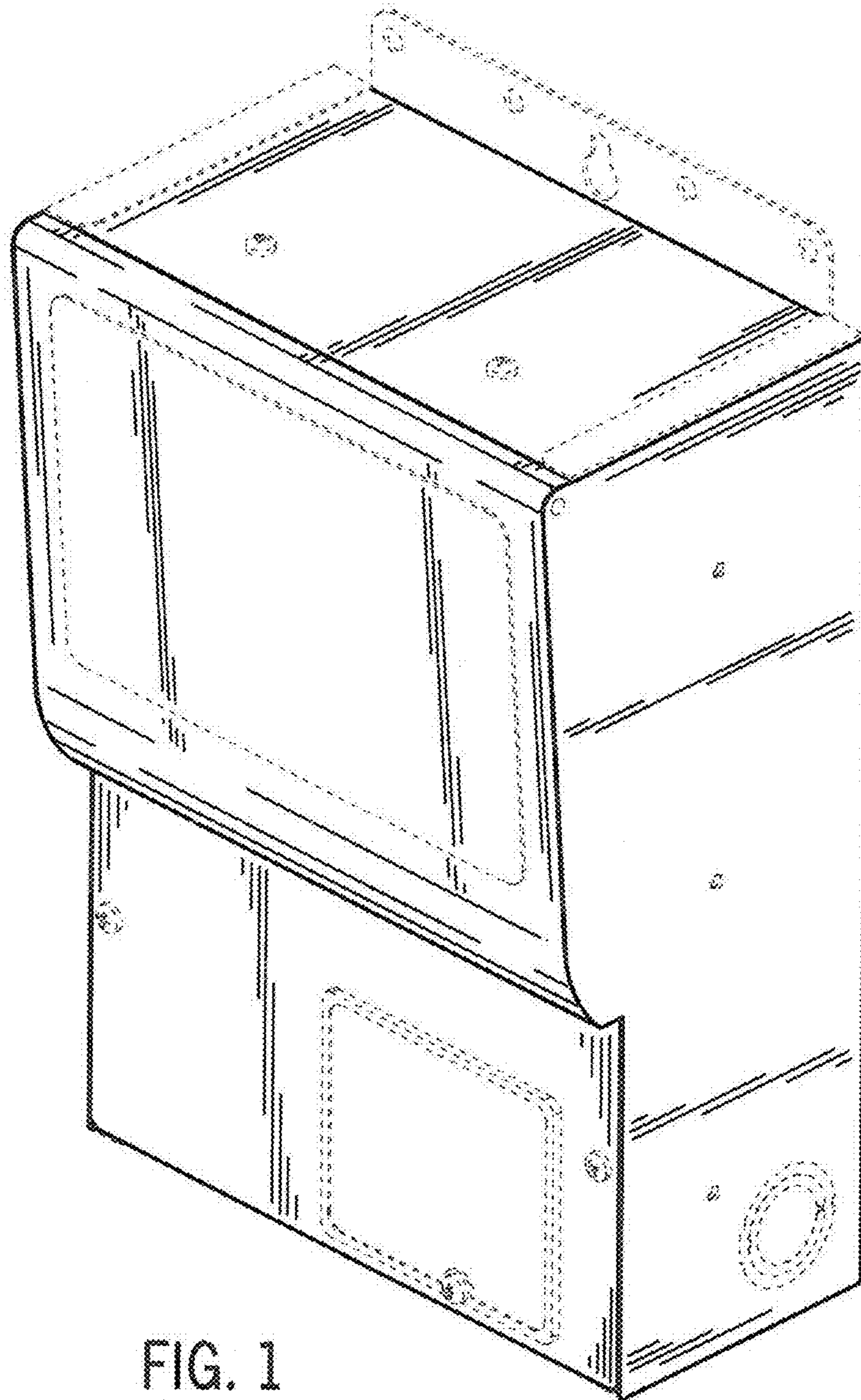


FIG. 1

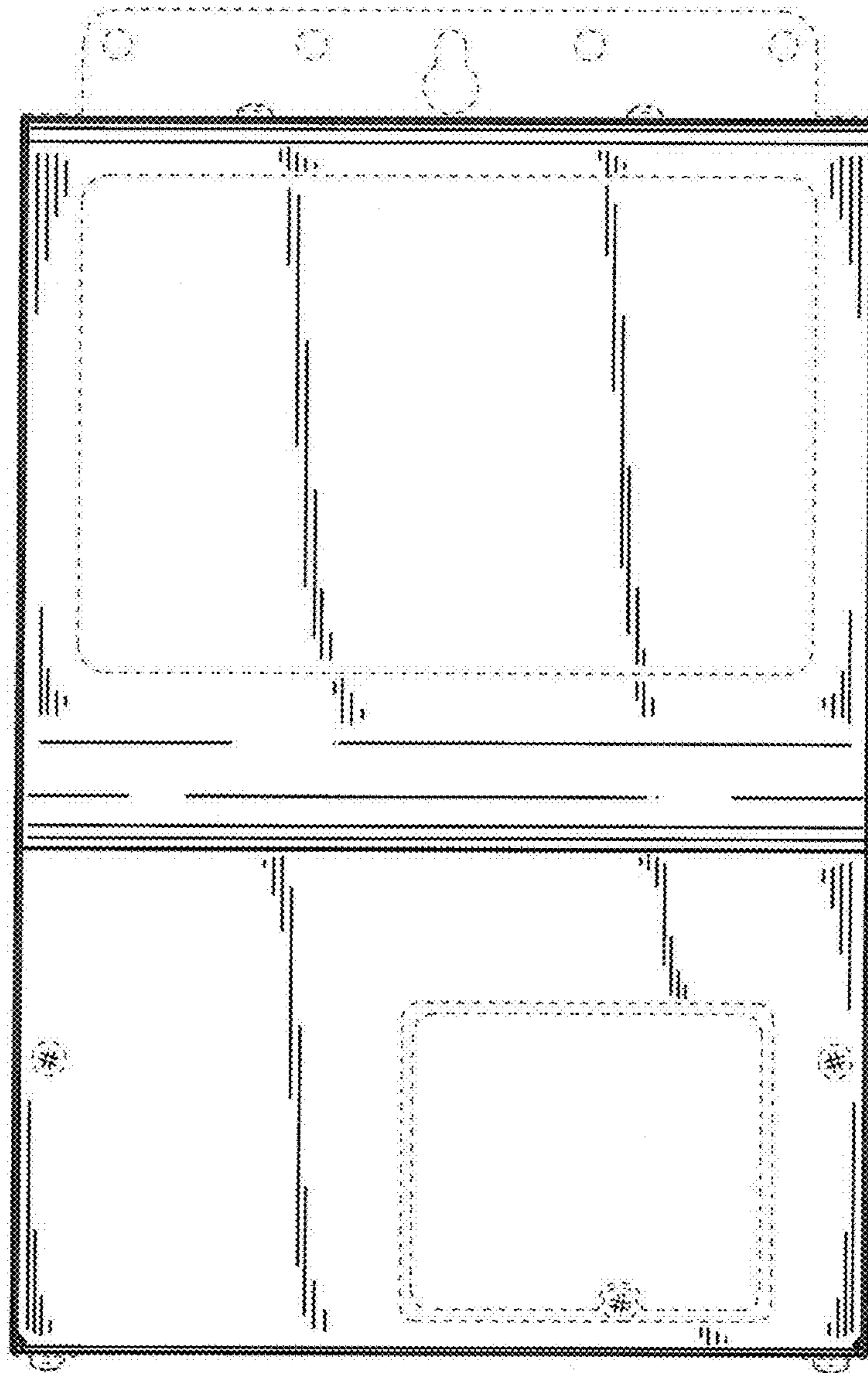


FIG. 2

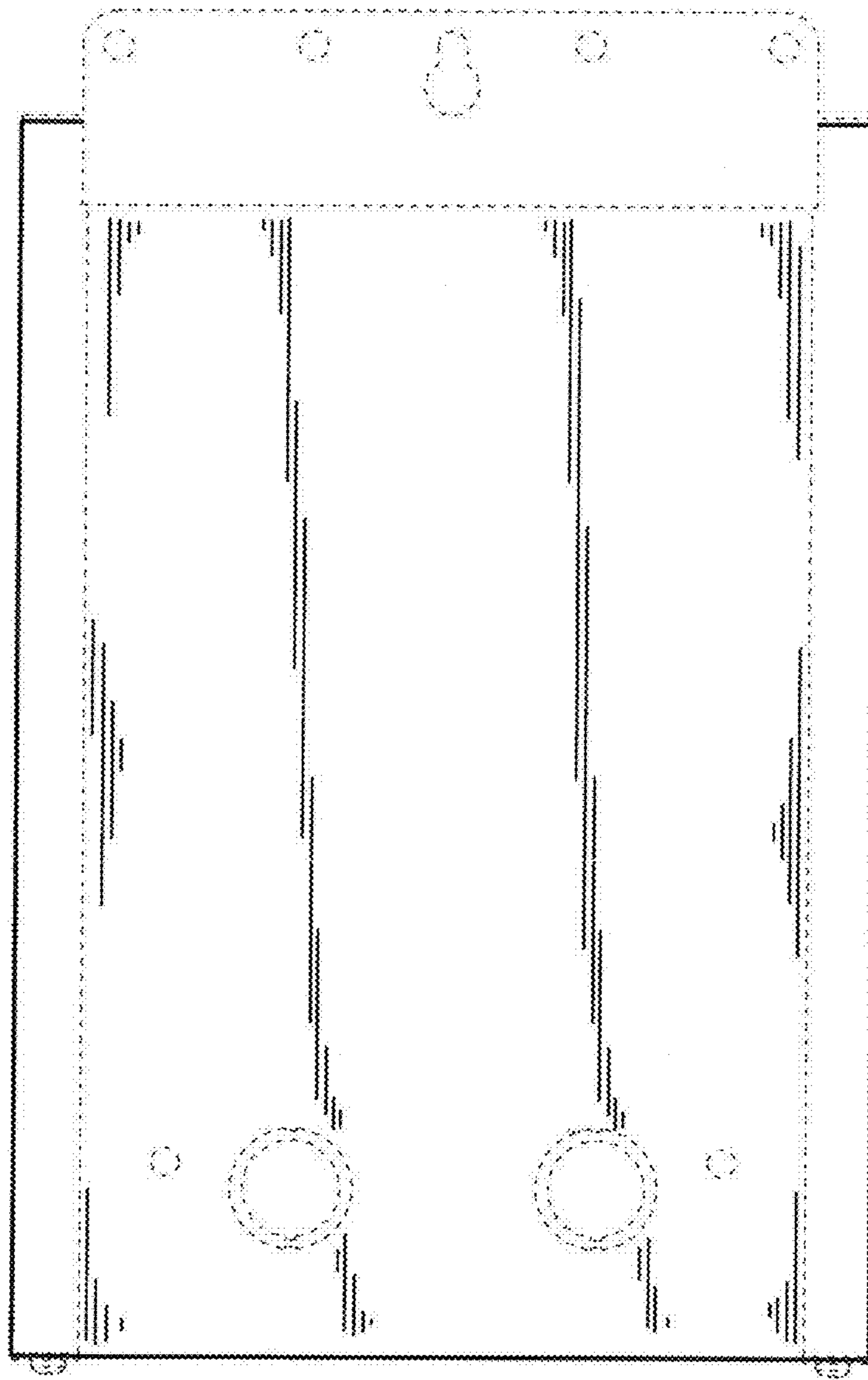


FIG. 3

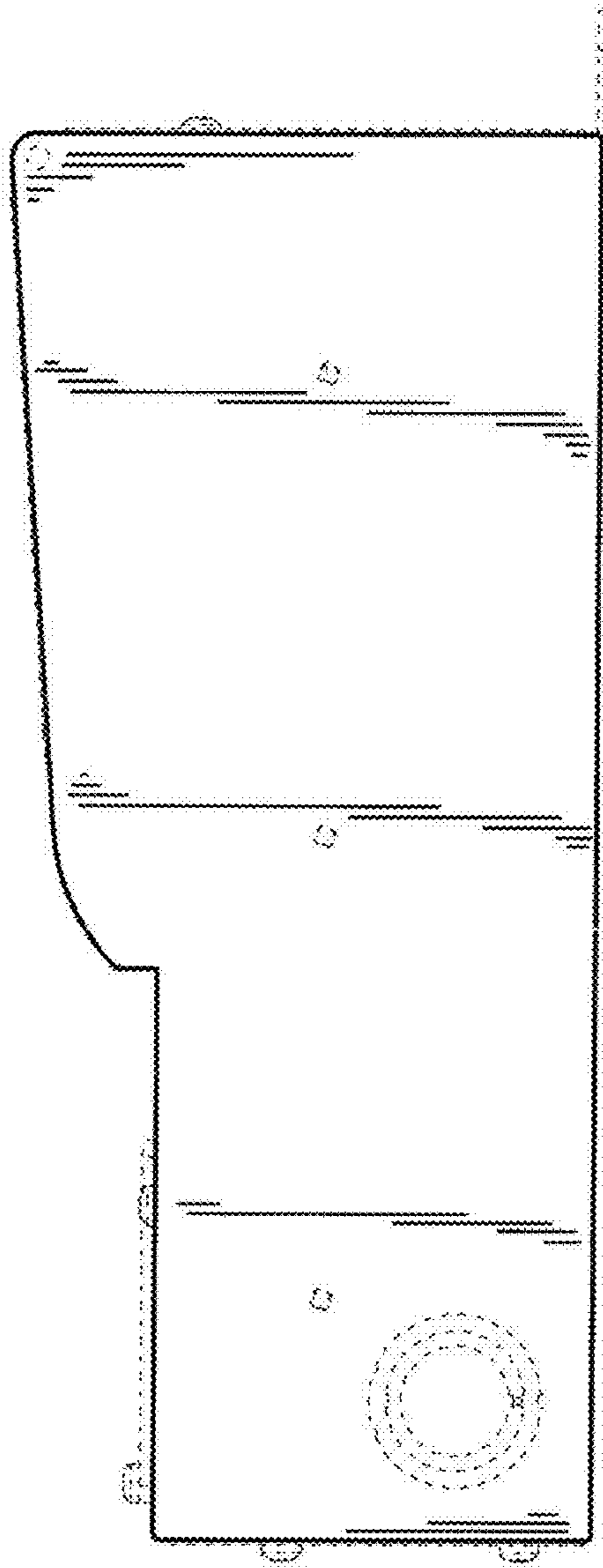


FIG. 4

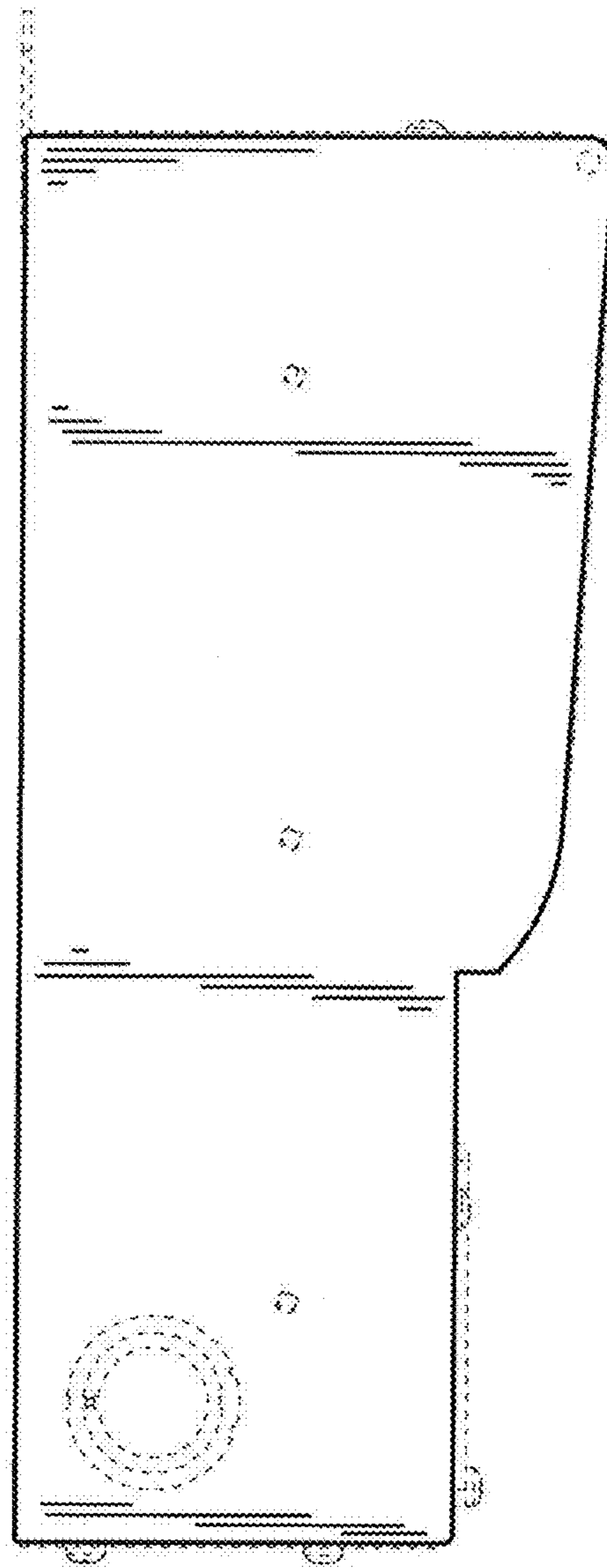


FIG. 5

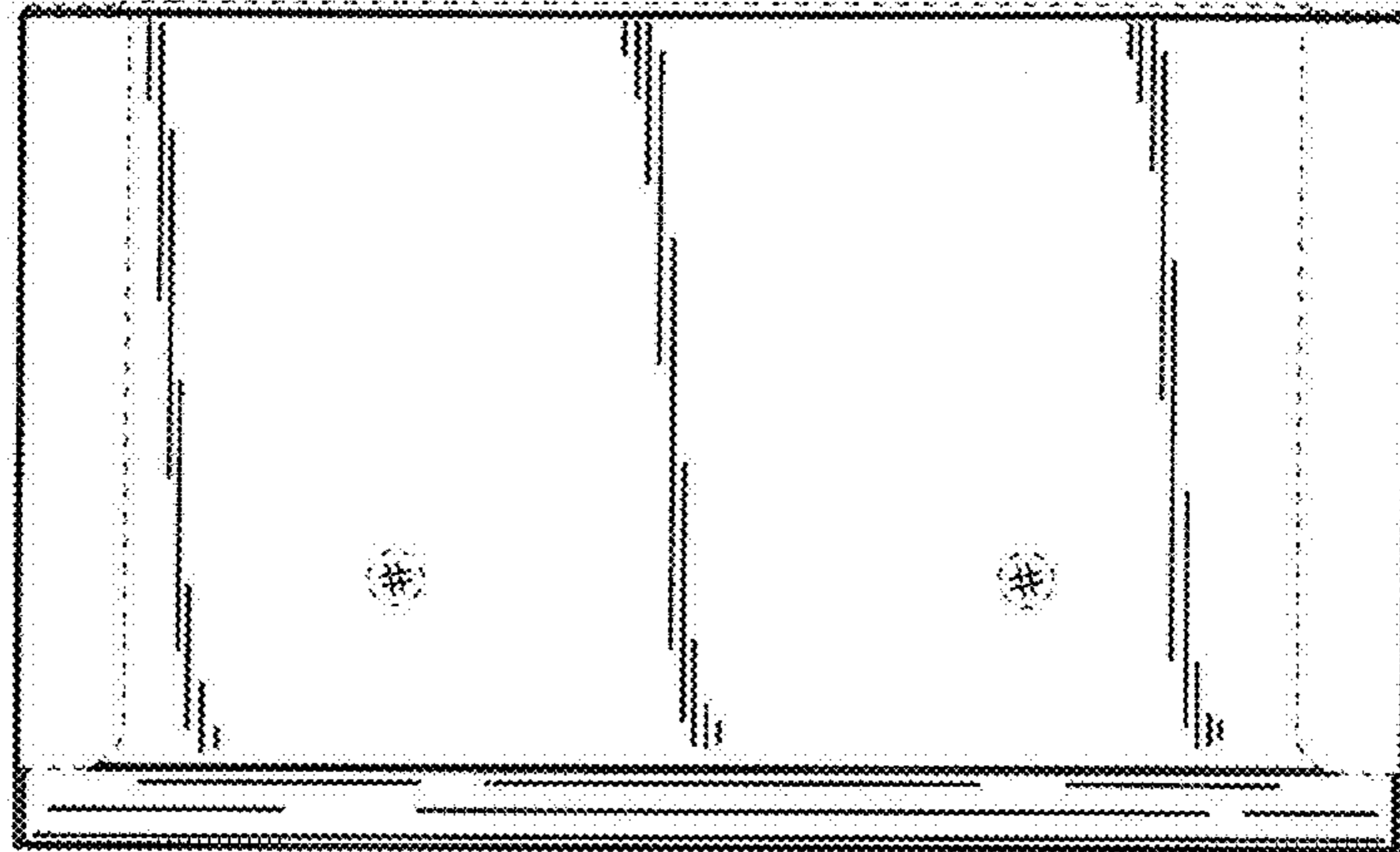


FIG. 6

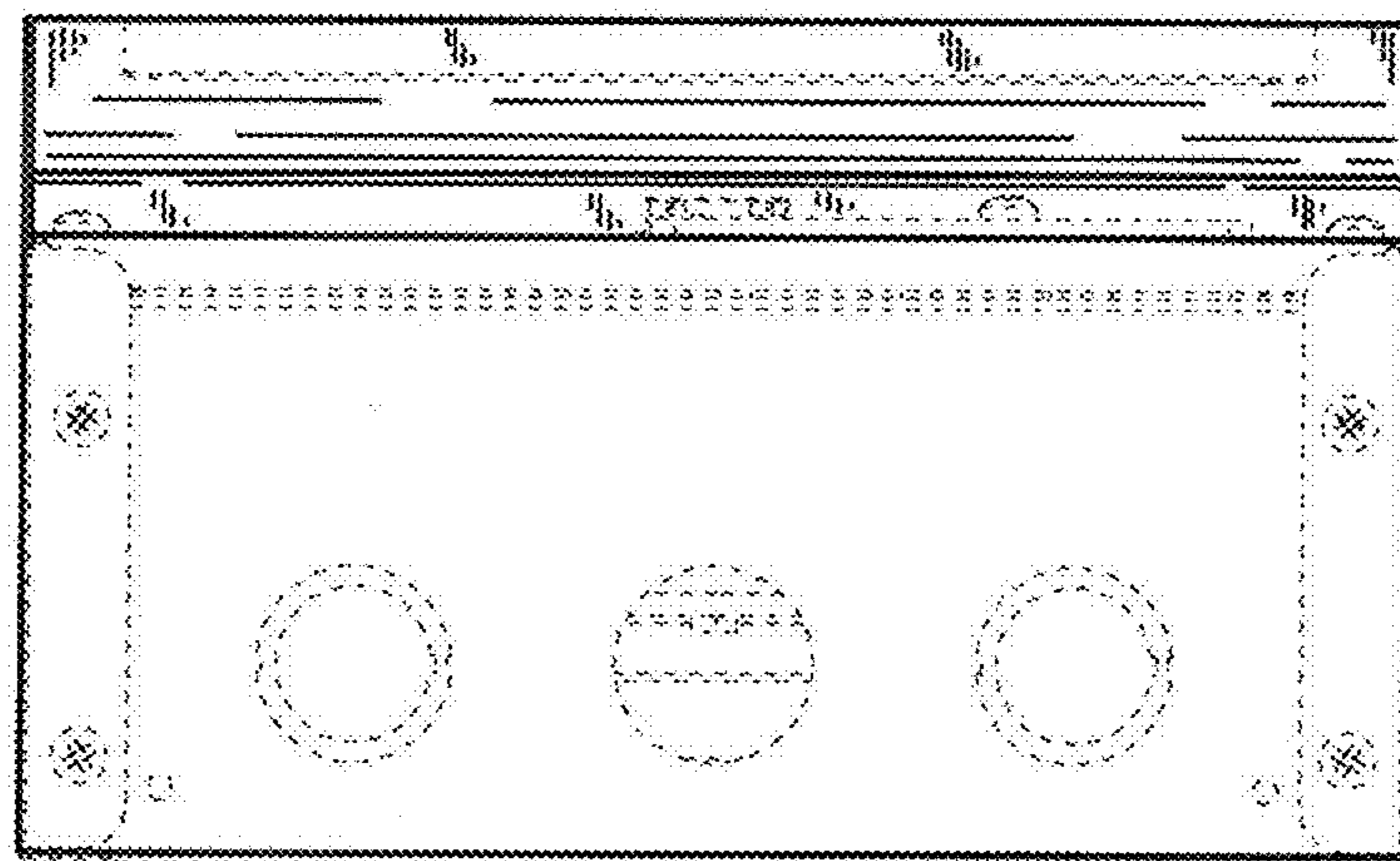


FIG. 7

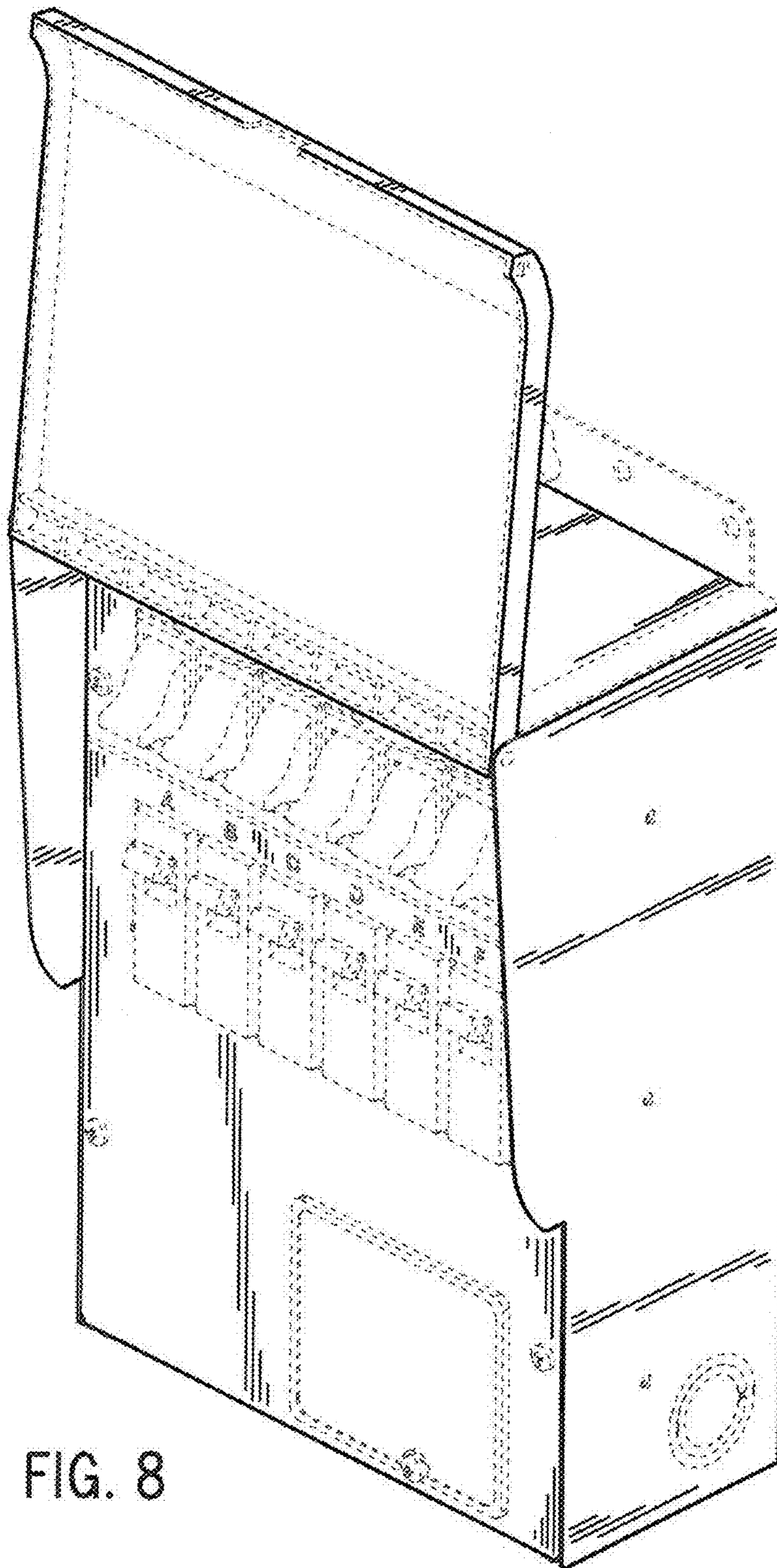


FIG. 8

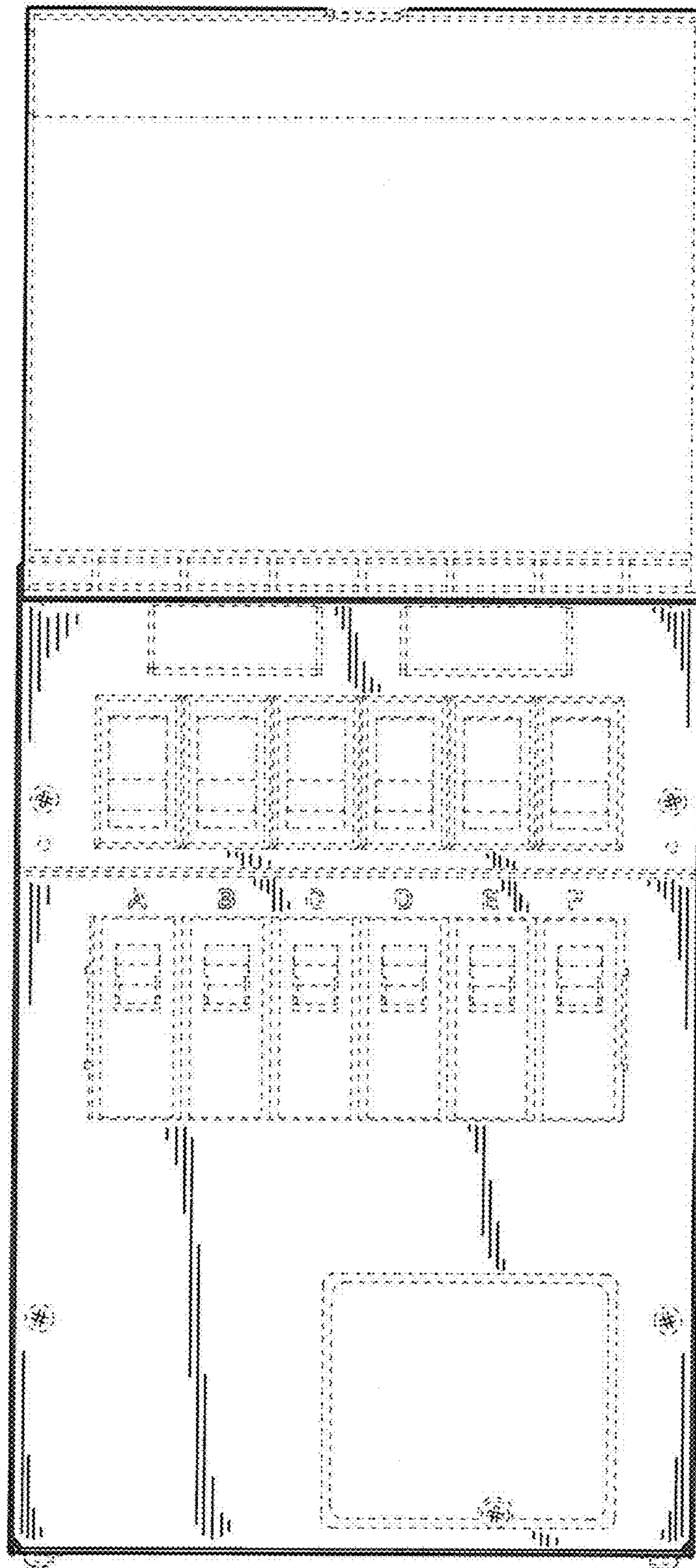


FIG. 9

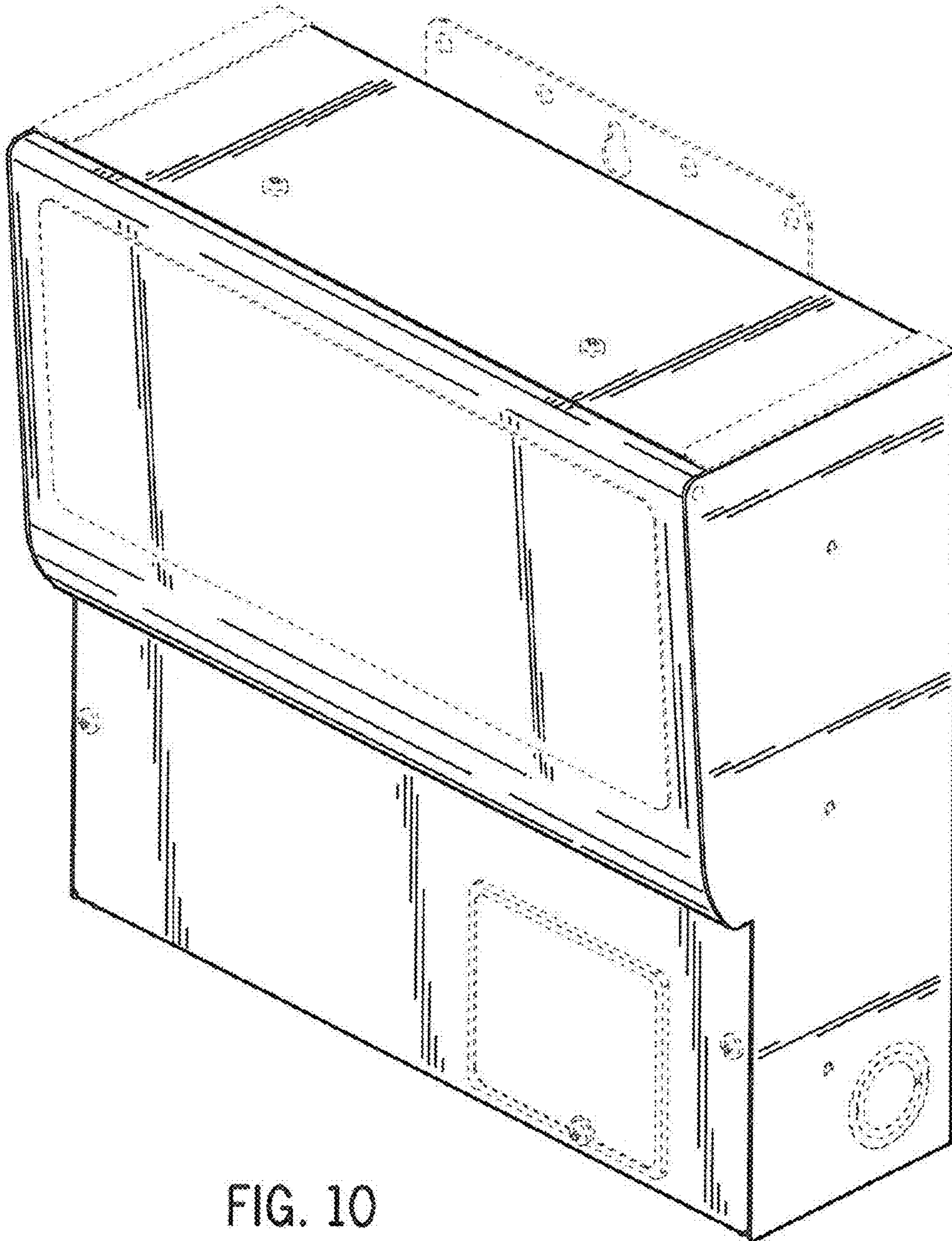


FIG. 10

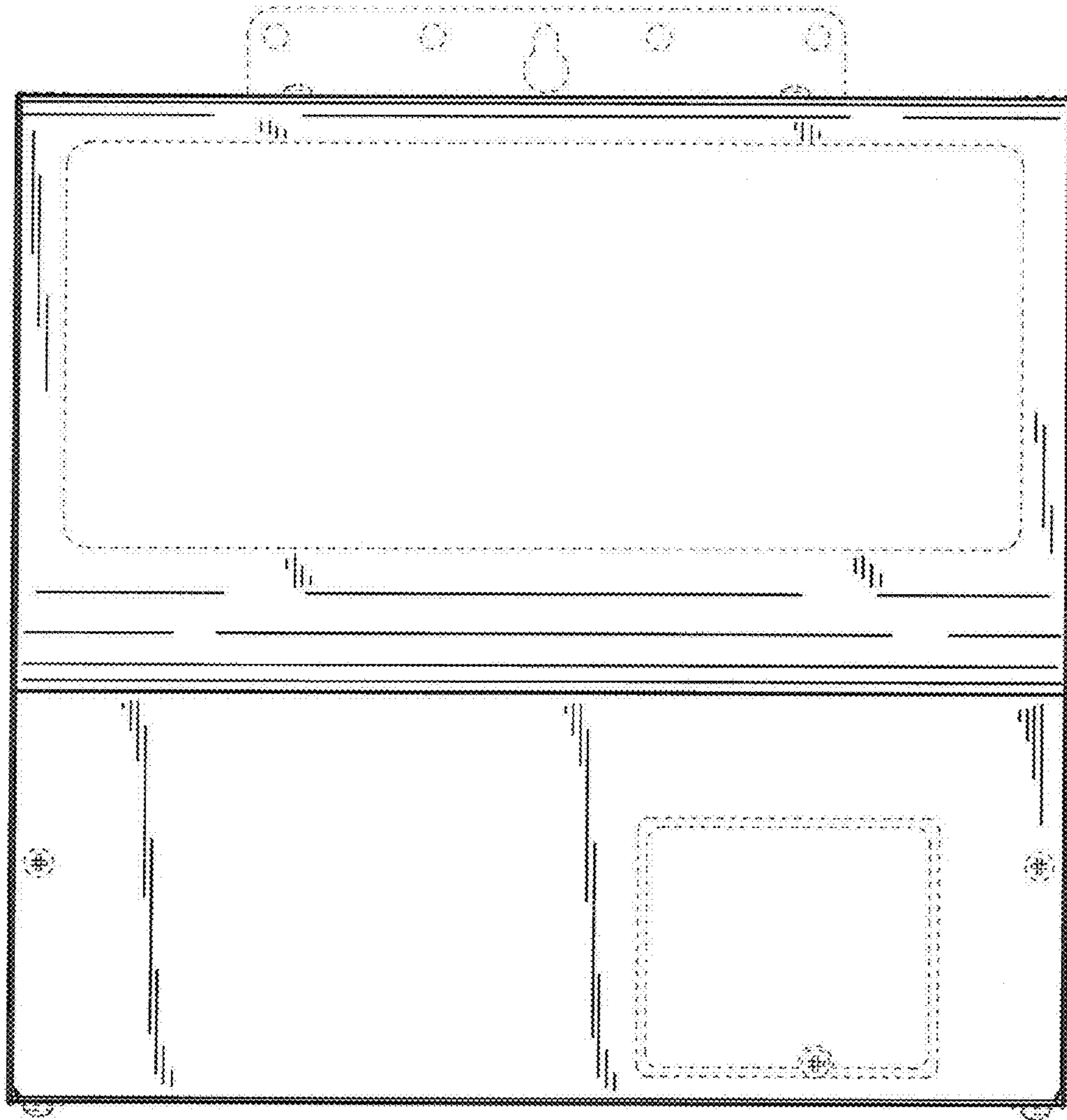


FIG. 11

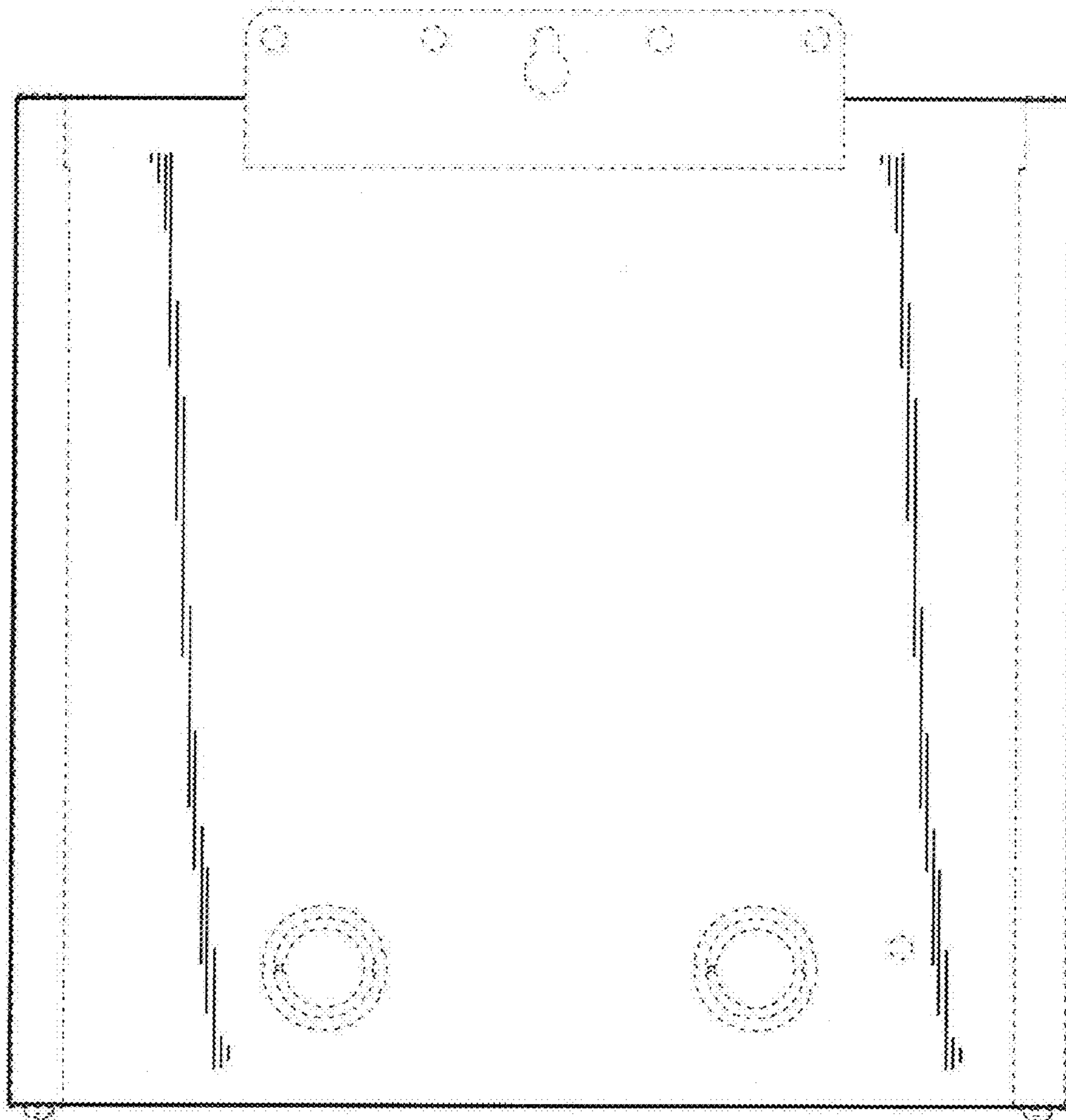


FIG. 12

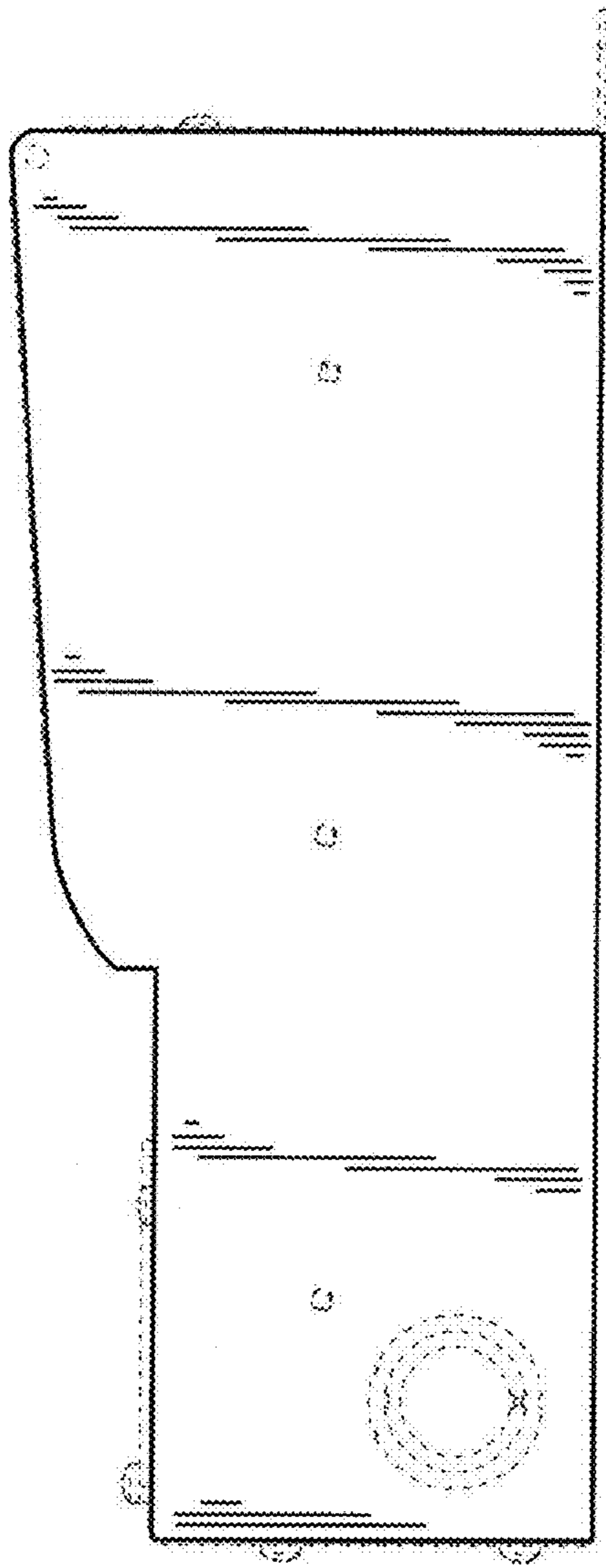


FIG. 13

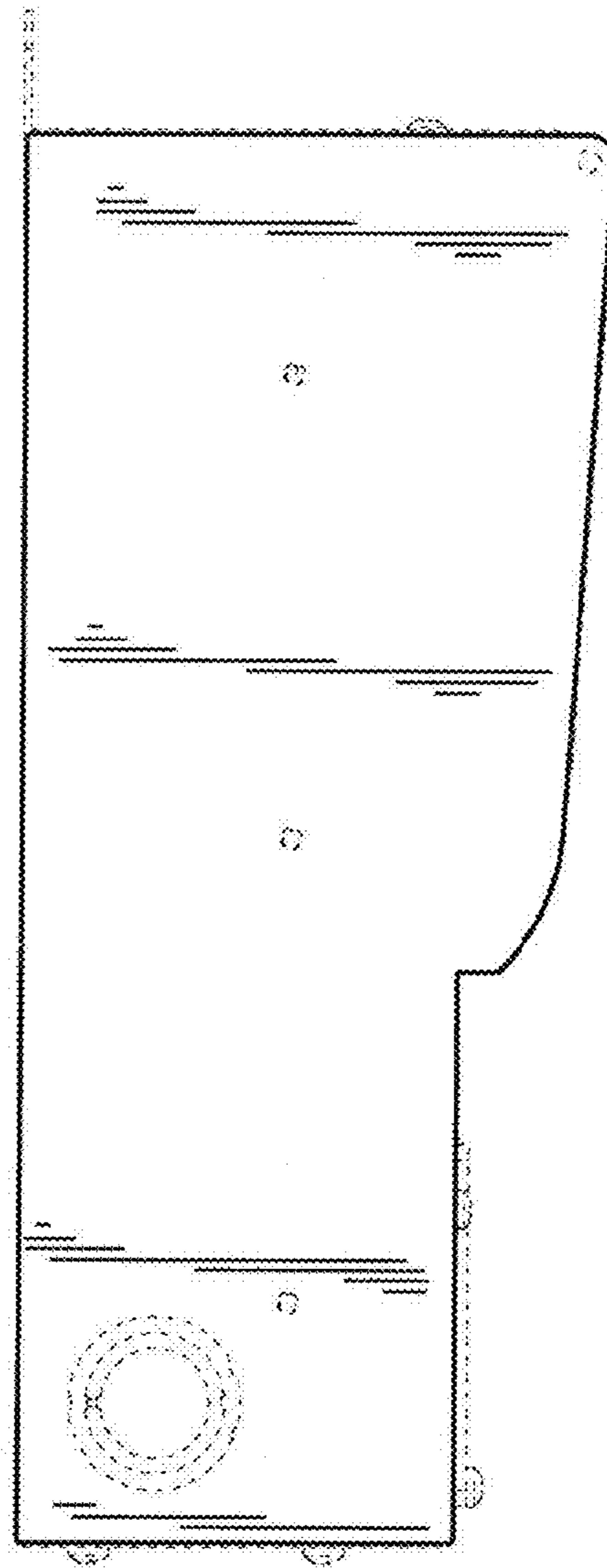


FIG. 14

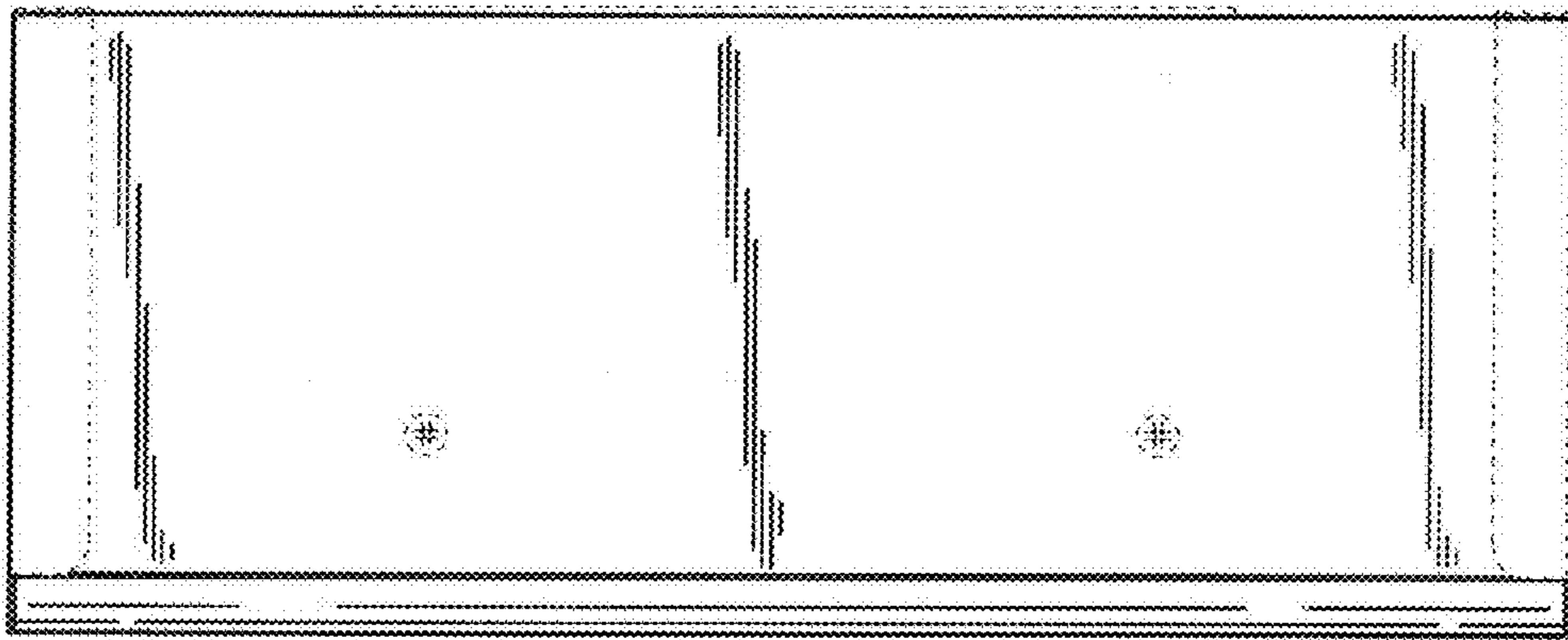


FIG. 15

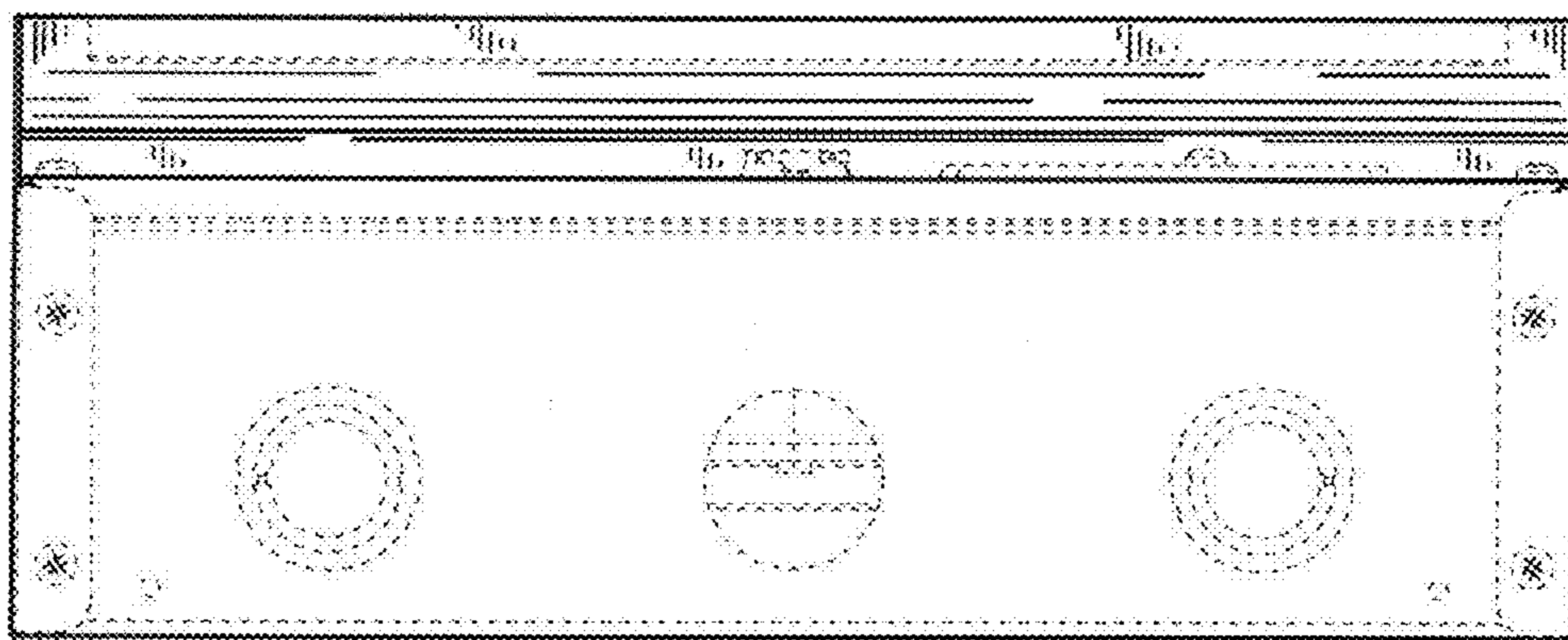


FIG. 16

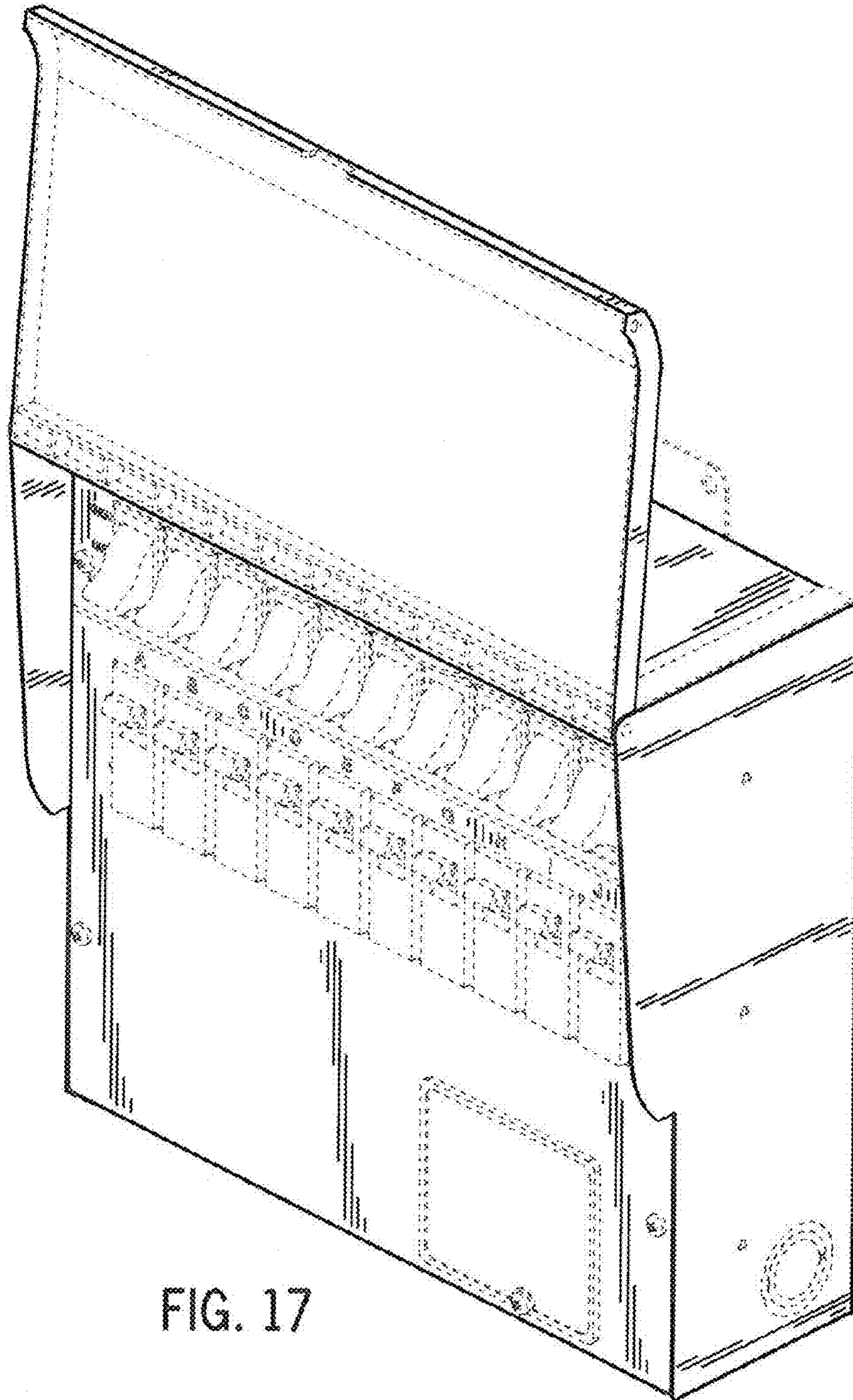


FIG. 17

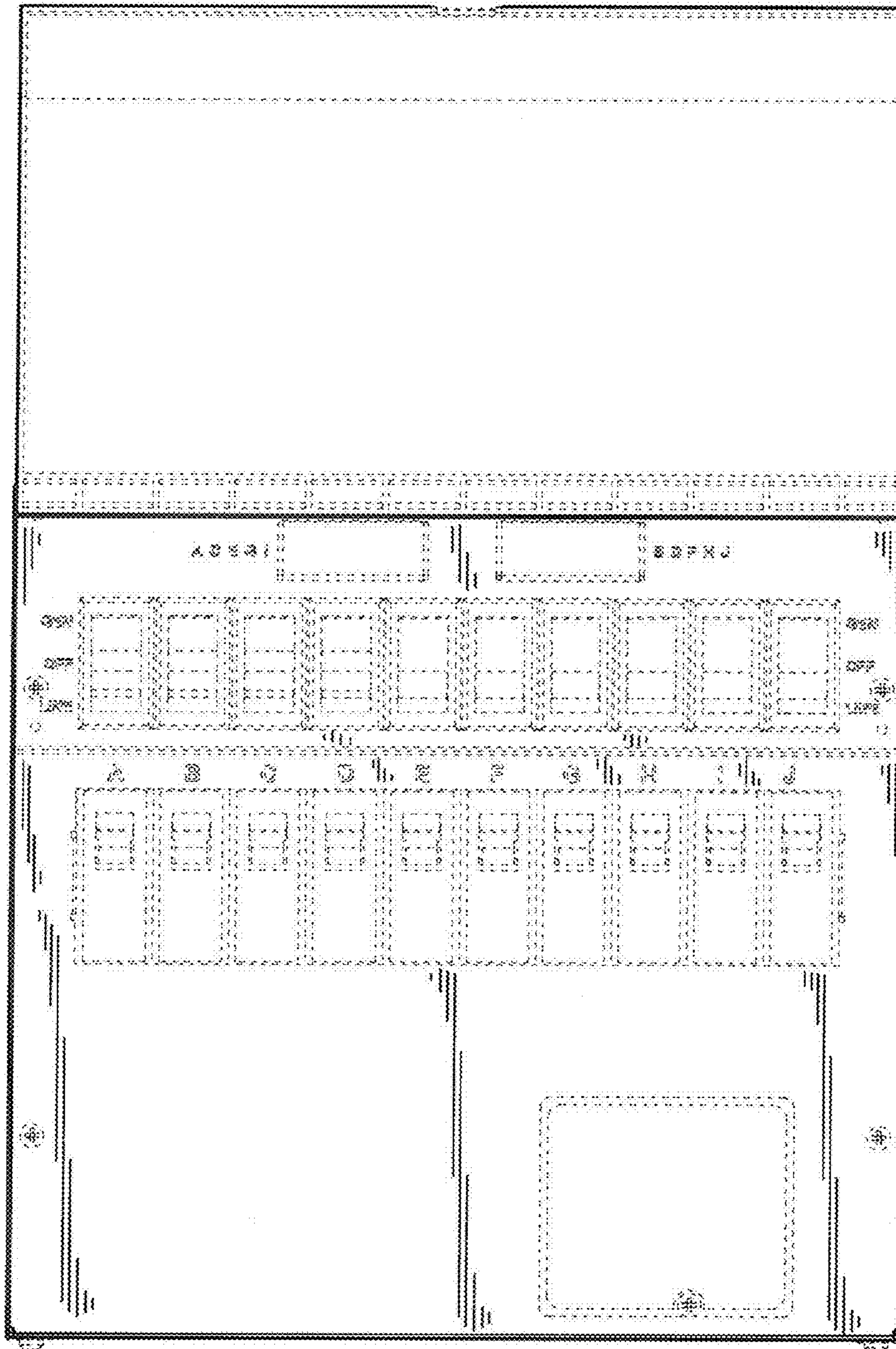


FIG. 18